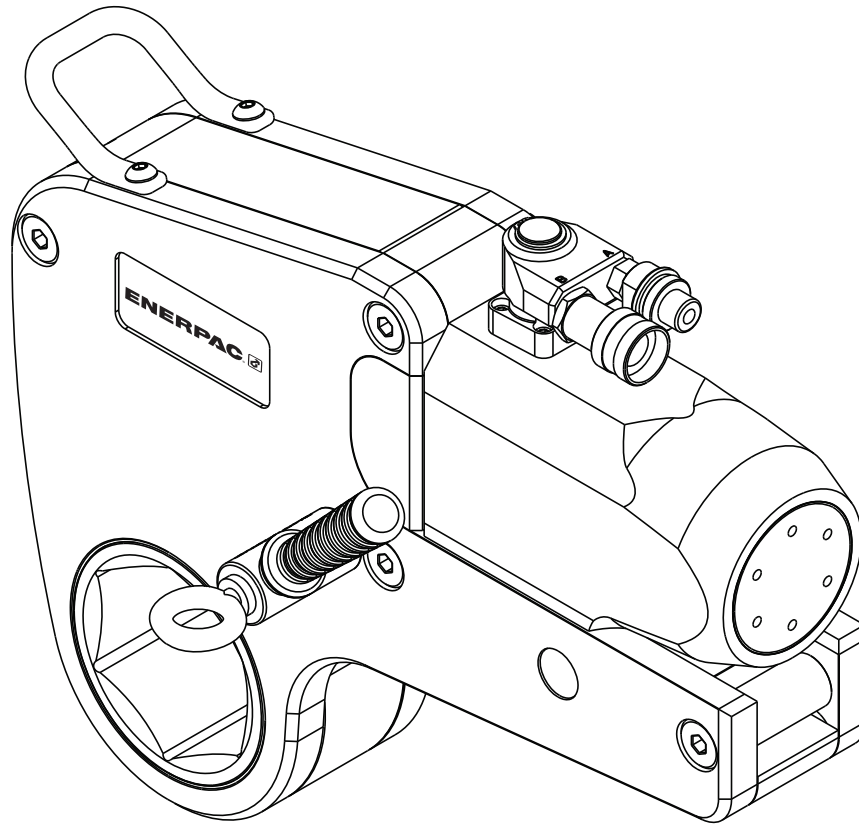


L4133 Rev. D 03/20

- For drive unit model numbers ending in "X" or "PX".
- For cassette model numbers ending in "X".

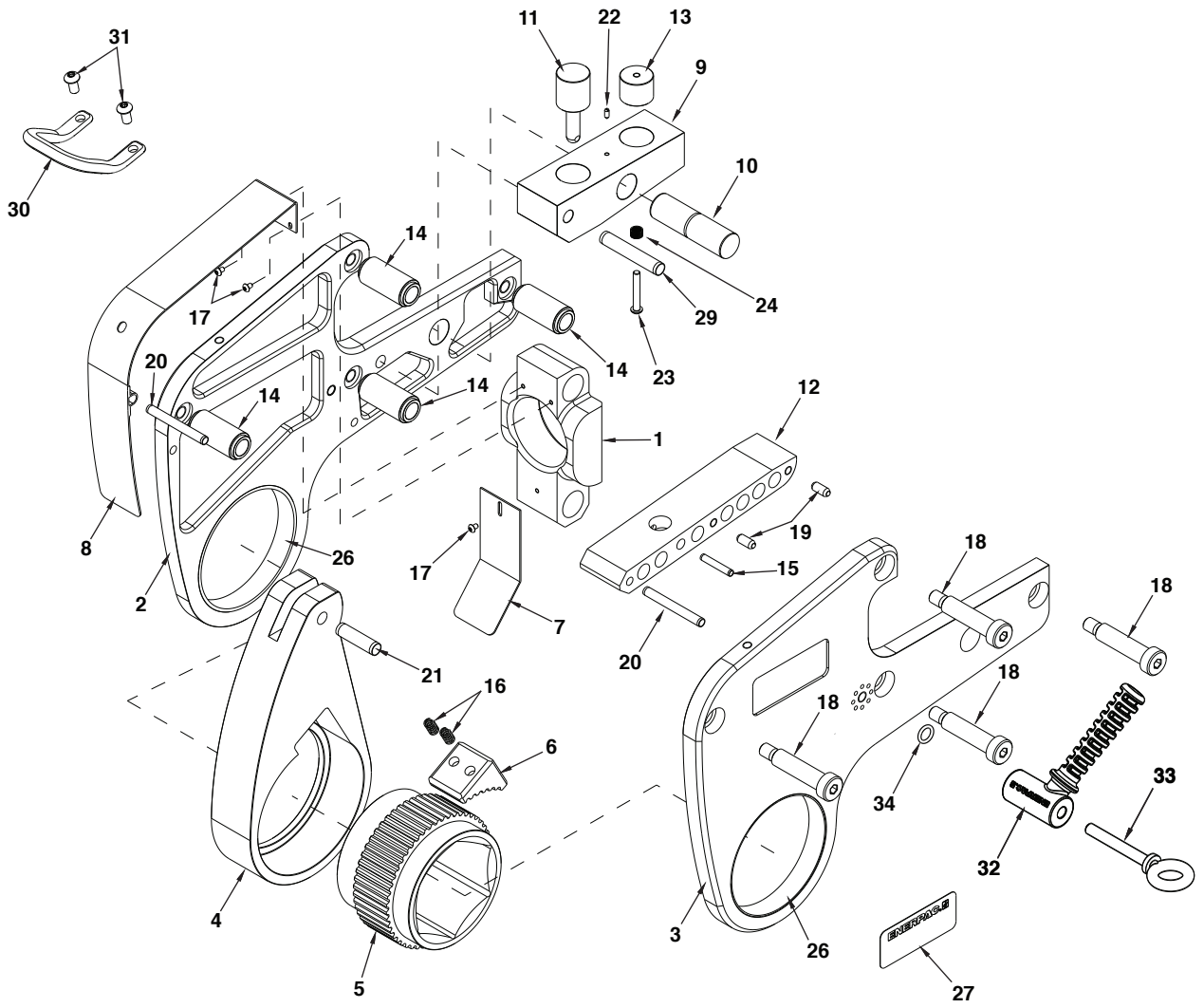
To Protect Your Warranty, Use Only ENERPAC Hydraulic Oil.

Enerpac recommends that all kit components be installed to insure optimum performance of the repaired product.



Contents:

	Pages
Figure 1, Cassette Assembly2-3
Figure 2, Ratchet Assembly and Sideplates4-5
Figure 3, Drive Unit and Swivel Assembly6-7
Table 4, Carrying Cases	8



Note: See page 3 for parts kits.

Figure 1, Cassette Assembly, W22000X Series

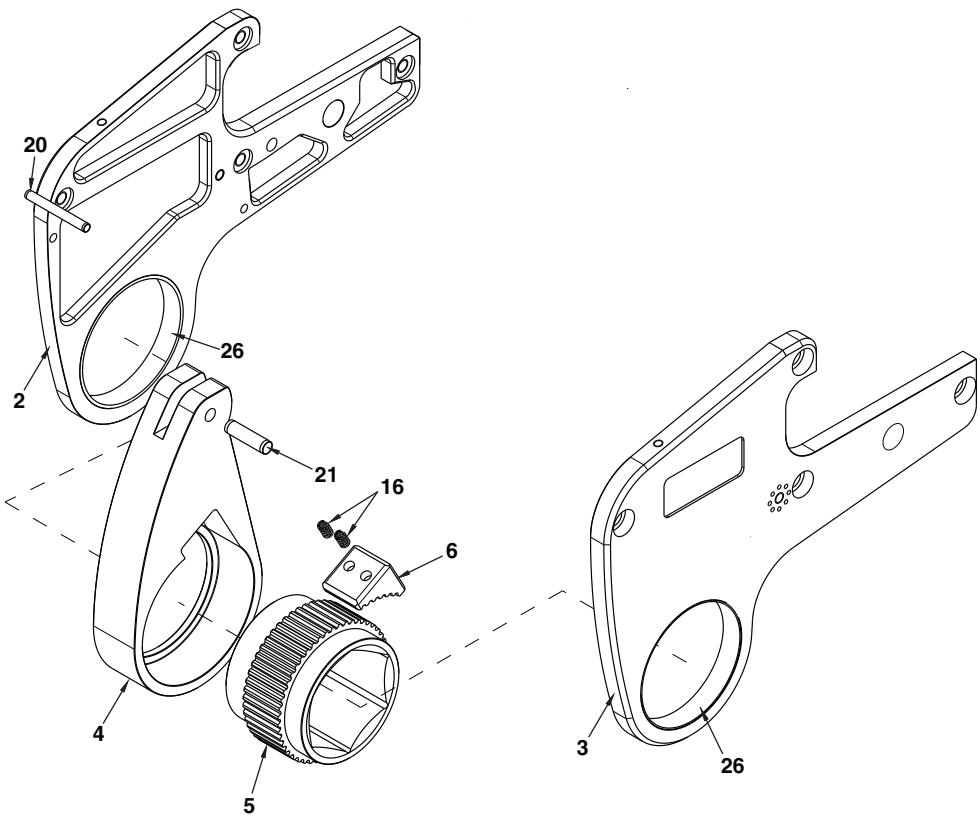
Repair Parts List for Figure 1

Item	Part Number	Qty.	Parts Kits								Available as individual item.	Description
			Sideplate and Bushing Kit (see Figure 2)	Ratchet Lever and Pin Kit (see Figure 2)	Ratchet Kit (see Figure 2)	Head Guard / Spacer Kit W22000HGSK	Safe Link Kit W22000SLK	Cassette Hardware Kit W22000CHK	Top Handle Kit W22000THK	Large Side Handle Kit SWH10EA		
1	(Not Available)	1										Cylinder Locating Plate
2	(See Figure 2)	1	•									RH Sideplate
3	(See Figure 2)	1	•									LH Sideplate
4	(See Figure 2)	1		•								Ratchet Lever
5	(See Figure 2)	1			•						*	Ratchet
6	(See Figure 2)	1			•							Drive Shoe
7	22000117	1				•						Guard, Rear
8	22000116	1				•						Guard, Front
9	(Not Available)	1										Pin Retainer
10	22000110	1					•					Spacer Retaining Pin
11	22000109	1					•					Cylinder Retaining Pin
12	22000114	1									*	Reaction Foot
13	22000115	1					•					Fail Safe Pin
14	22000113	4				•						Sideplate Spacer
15	E4838K	1					•	•			*	Pin, Spirol (packet of 5)
16	E3106K	2			•			•			*	Spring, Compression (packet of 10)
17	CBA411028-1E	3				•		•				Screw, Button Head
18	E4436	4				•		•				Screw, Shoulder, Modified
19	E4584	2					•	•				Spring, Plunger
20	E4611K	2				•		•			*	Pin, Spirol Spring (packet of 10)
21	E4841K	1		•				•			*	Pin, Spirol Spring (packet of 5)
22	E4728	1						•				Ball Detent
23	E4612	1					•	•				Screw, Button Head
24	E3087	1					•					Spring, Compression
26	(See Figure 2)	2	•								*	Sideplate Bushing
27	22000129	1						•				Nameplate, Enerpac
29	E4840	1						•				Pin, Spirol Spring
30	22000128	1							•			Handle, Top
31	CBA617028E	2							•			Screw, Button Head
32	DM0340070	1								•		Handle, Side (large)
33	DM0219070	1								•		Eyebolt, M10 Long Shank
34	E2393	1								•		O-Ring

Notes:

- Enerpac recommends that all kit components be installed to assure optimum performance of the repaired product.
- Items 15, 16, 20 and 21: Packet quantity is provided only when item is ordered separately (not as part of a kit).

Note: This view contains ratchet and sideplate parts only. See Figure 1 for complete exploded view of all cassette parts.



Note: See page 5 for parts kits.

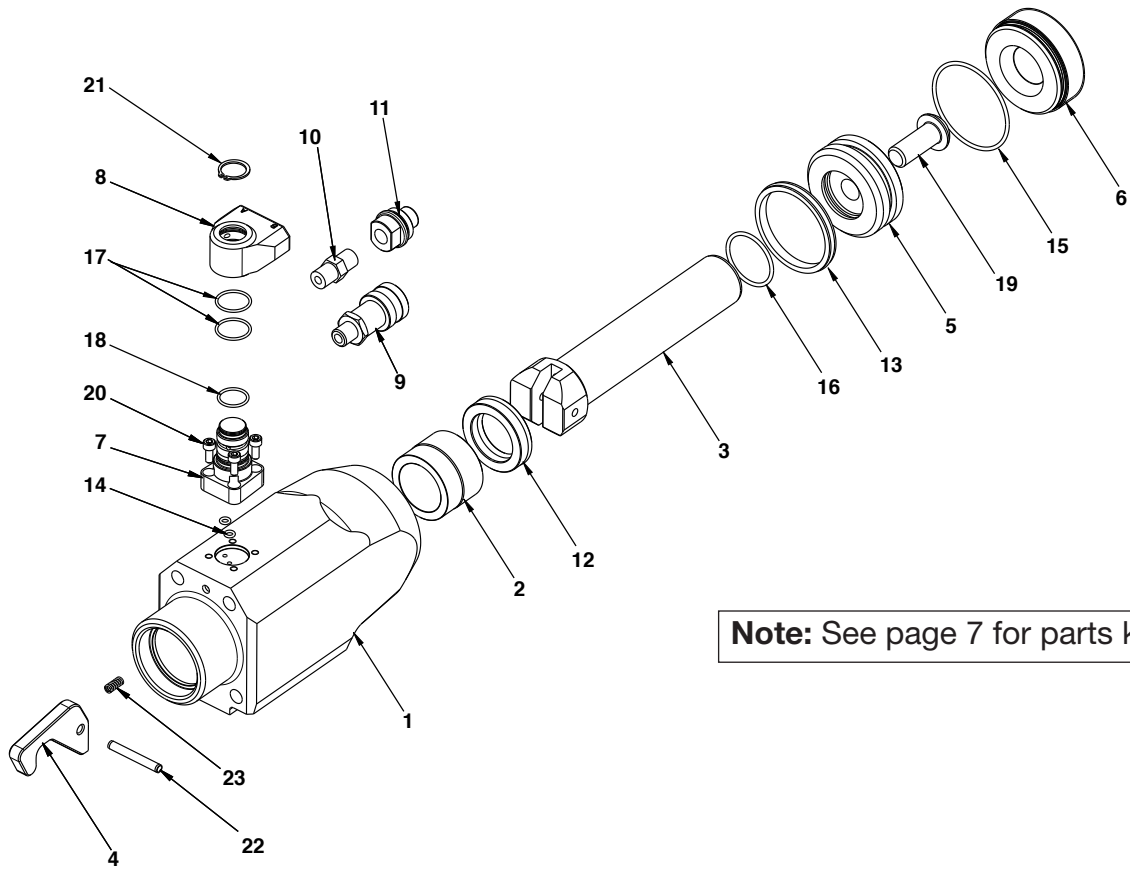
Figure 2, Ratchet Assembly and Sideplates, W22000X Series

Ratchet and Sideplate Kits for W2200X Series Cassettes - Refer to Figure 2

Cassette Model	Size		Part Numbers					
	Inch	Metric	Ratchet Only (Figure 2, item 5)	Drive Shoe Kit (Figure 2, items 6 and 16)	Ratchet Kit (Figure 2, items 5, 6 & 16)	Ratchet Lever and Pin Kit (Figure 2, items 4 & 21)	LH and RH Sideplates with Bushings (Figure 2, items 2, 3 & 26)	Sideplate Bushings (Figure 2, item 26)
W22215X	2-15/16"	75	22000121215	W22302DSK	W22215RK	22000120302A	W22000175302A	22000125302
W22300X	3"	77	22000121300	W22302DSK	W22300RK	22000120302A	W22000175302A	22000125302
W22301X	3-1/16"	78	22000121301	W22302DSK	W22301RK	22000120302A	W22000175302A	22000125302
W22302X	3-1/8"	80	22000121302	W22302DSK	W22302RK	22000120302A	W22000175302A	22000125302
W22303X	3-3/16"	81	22000121303	W22308DSK	W22303RK	22000120308A	W22000175308A	22000125308
W22304X	3-1/4"	83	22000121304	W22308DSK	W22304RK	22000120308A	W22000175308A	22000125308
W22305X	3-5/16"	84	22000121305	W22308DSK	W22305RK	22000120308A	W22000175308A	22000125308
W22085MX	- - -	85	22000121085M	W22308DSK	W22085MRK	22000120308A	W22000175308A	22000125308
W22306X	3-3/8"	86	22000121306	W22308DSK	W22306RK	22000120308A	W22000175308A	22000125308
W22307IX	3-7/16"	- - -	22000121307	W22308DSK	W22307IRK	22000120308A	W22000175308A	22000125308
W22308X	3-1/2"	89	22000121308	W22308DSK	W22308RK	22000120308A	W22000175308A	22000125308
W22090MX	- - -	90	22000121090M	W22314DSK	W22090MRK	22000120314A	W22000175314A	22000125314
W22309X	3-9/16"	91	22000121309	W22314DSK	W22309RK	22000120314A	W22000175314A	22000125314
W22310X	3-5/8"	92	22000121310	W22314DSK	W22310RK	22000120314A	W22000175314A	22000125314
W22311X	3-11/16"	94	22000121311	W22314DSK	W22311RK	22000120314A	W22000175314A	22000125314
W22312X	3-3/4"	95	22000121312	W22314DSK	W22312RK	22000120314A	W22000175314A	22000125314
W22313X	3-13/16"	97	22000121313	W22314DSK	W22313RK	22000120314A	W22000175314A	22000125314
W22314X	3-7/8"	99	22000121314	W22314DSK	W22314RK	22000120314A	W22000175314A	22000125314
W22315X	3-15/16"	100	22000121315	W22404DSK	W22315RK	22000120404A	W22000175404A	22000125404
W22400X	4"	102	22000121400	W22404DSK	W22400RK	22000120404A	W22000175404A	22000125404
W22401IX	4-1/16"	- - -	22000121401	W22404DSK	W22401IRK	22000120404A	W22000175404A	22000125404
W22402X	4-1/8"	105	22000121402	W22404DSK	W22402RK	22000120404A	W22000175404A	22000125404
W22403IX	4-3/16"	- - -	22000121403	W22404DSK	W22403IRK	22000120404A	W22000175404A	22000125404
W22404X	4-1/4"	108	22000121404	W22404DSK	W22404RK	22000120404A	W22000175404A	22000125404
W22405X	4-5/16"	110	22000121405	W22410DSK	W22405RK	22000120410A	W22000175410A	22000125410
W22406X	4-3/8"	111	22000121406	W22410DSK	W22406RK	22000120410A	W22000175410A	22000125410
W22407X	4-7/16"	113	22000121407	W22410DSK	W2207RK	22000120410A	W22000175410A	22000125410
W22408IX	4-1/2"	- - -	22000121408	W22410DSK	W22408IRK	22000120410A	W22000175410A	22000125410
W22115MX	- - -	115	22000121115M	W22410DSK	W22115MRK	22000120410A	W22000175410A	22000125410
W22409IX	4-9/16"	- - -	22000121409	W22410DSK	W22409IRK	22000120410A	W22000175410A	22000125410
W22410IX	4-5/8"	- - -	22000121410	W22410DSK	W22410IRK	22000120410A	W22000175410A	22000125410
W22412X	4-3/4"	120	22000121412	W22500DSK	W22412RK	22000120500A	W22000175500A	22000125500
W22123MX	- - -	123	22000121123M	W22500DSK	W22123MRK	22000120500A	W22000175500A	22000125500
W22414X	4-7/8"	124	22000121414	W22500DSK	W22414RK	22000120500A	W22000175500A	22000125500
W22500X	5"	127	22000121500	W22500DSK	W22500RK	22000120500A	W22000175500A	22000125500
W22502X	5-1/8"	130	22000121502	W22506DSK	W22502RK	22000120506A	W22000175506A	22000125506
W22503IX	5-3/16"	- - -	22000121503	W22506DSK	W22503IRK	22000120506A	W22000175506A	22000125506
W22504IX	5-1/4"	- - -	22000121504	W22506DSK	W22504IRK	22000120506A	W22000175506A	22000125506
W22506X	5-3/8"	135	22000121506	W22506DSK	W22506RK	22000120506A	W22000175506A	22000125506

Notes:

- Enerpac recommends that all kit and subassembly components be installed to assure optimum performance of the repaired product.
- Item 6 is available only as part of the Drive Shoe Kit or Ratchet Kit (not sold separately).



Note: See page 7 for parts kits.

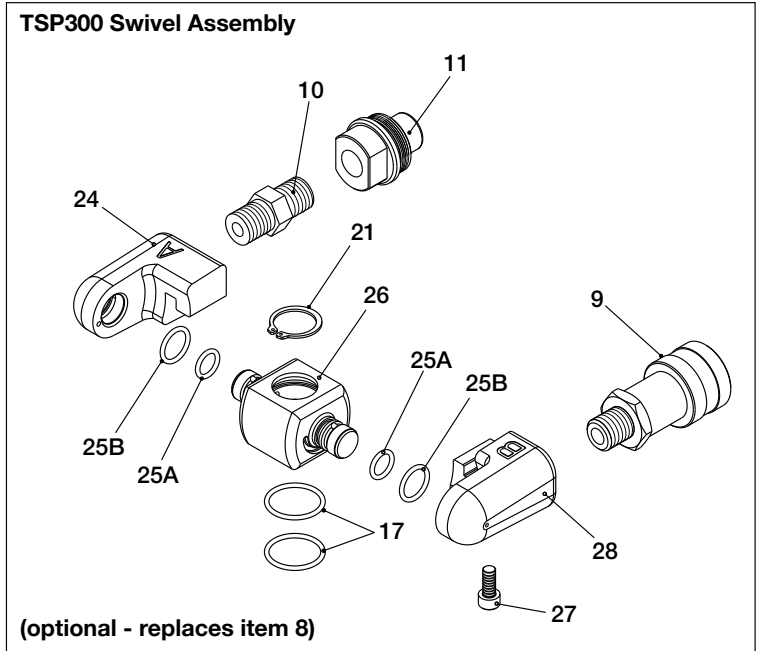


Figure 3, Drive Unit and Swivel Assembly, W22000X Series

Repair Parts List for Figure 3

Item	Part Number	Qty.		Parts Kits						(*) Item available separately OR in kit.	Description	
		W22000X	W22000PX	Drive Unit Rebuild Kit W22000DRK.	Retract Link Kit W22000RLK	Standard Swivel Kit with Post SP300MKC	Drive Unit Seal Kit W22000XSK	Swivel Manifold Seal Kit TSP300MSK (For TSP300 Swivel)	Swivel and Manifold Kit TSP300 (For TSP300 Swivel)			Swivel Post and Manifold Kit TSP300MKC (For TSP300 Swivel)
1	(Not Available)	1	1									Cylinder Body
2	22000106	1	1	•								Cylinder Bushing
3	22000104	1	1	•								Piston Rod
4	22000105	1	1		•							Retract Link
5	22000103	1	1	•								Piston
6	22000102	1	1	•								Cylinder Gland
7	W35000226	1	1			•				•	*	Swivel Manifold Post (large)
8	SP300101	1	---			•					*	Swivel Manifold Block (non-tilt)
9	TR630	1	1			•			•	•	*	Coupling, 10,000 PSI Screw-On
10	FZ1608	1	1			•			•	•	*	Adaptor, Hex 10,000 PSI
11	TH630	1	1			•			•	•	*	Nipple, 10,000 PSI Screw-On
12	E2386	1	1				•					Seal, Rod
13	E2039	1	1				•					Seal, T-Piston w/Back Up Rings
14	E2304K	2	2			•	•	•	•	•	*	O-Ring (packet of 10)
15	E2384	1	1				•					O-Ring
16	E2385	1	1				•					O-Ring
17	E2240	2	2			•	•	•	•	•		O-Ring
18	E2238	1	1			•	•	•	•	•		O-Ring
19	E4606	1	1	•								Screw, Button Head
20	E4506	4	4			•				•		Swivel Manifold Retaining Bolt
21	E4856	1	1			•	•	•	•	•		Retainer Ring, Circlip
22	E4839	1	1		•							Pin, Spirol Spring
23	E3107K	1	1		•						*	Spring, Compression (packet of 5)
24	TSP300101	---	1						•	•		Swivel Arm, Pressure A
25A	E2235	---	2				•	•	•	•		O-Ring, Double Swivel (small)
25B	E2173	---	2				•	•	•	•		O-Ring, Double Swivel (large)
26	TSP300103	---	1						•	•		Manifold Block, Double Swivel
27	E4650	---	1				•	•	•	•		Capscrew, Swivel Arm
28	TSP300102	---	1						•	•		Swivel Arm, Return B

Notes: • Enerpac recommends that all kit components be installed to assure optimum performance of the repaired product.
 • Items 14 and 23: Packet quantity is provided only when item is ordered separately (not as part of a kit).

Repair Parts Table 4 for Hydraulic Torque Wrench Case			
Item	Part Number	Qty.	Description
1	M2200	1	Carrying Case, Drive Unit, W22000X
2	M2720	1	Carrying Case, Cassette, W22000X

NOTES:

A large rectangular box with a thin black border, containing 21 horizontal lines spaced evenly down the page, intended for taking notes.

NOTES:

