

▼ W4206X cassette with W4000PX drive unit



Setting New Standards in Safety, Simplicity and Performance



Two Handle Styles

Robust angled positioning handles come standard with every W-Series (X-Edition) tool. Straight positioning handles, designed for extreme limited access applications, are available as accessories.

Compatible W-Series (X-Edition) Wrenches	Angled Positioning Handles (standard)	Straight Positioning Handles (optional)
W2000X, W4000X	SWH6A	SWH6S
W8000X, W15000X	SWH10A	SWH10S
W22000X, W35000X	Supplied with an eyebolt handle (SWH10EA)	

Safety and Performance

- Superior strength to size ratio provides easy access to difficult to reach applications without sacrificing endurance
- 30° rotation angle and rapid return stroke provide fast operation
- Tough manifold design with added safety feature for enhanced operator safety

Simplicity

- Fast release drive unit enables rapid exchange of cassettes, no tools required and no pins to lose
- Drive unit includes robust handle which mounts on both sides to allow for extra maneuverability
- Quick and easy disassembly for maintenance without special tools

Versatility

- Available with optional enhanced tilt and swivel TSP300 manifold for horizontal and vertical maneuverability, with greater durability*
- X-Edition drive units, cassettes and most accessories are compatible with standard edition tools *
- Drive unit compatible with UltraSlim cassettes

Accuracy

- Constant torque output provides accuracy of +/-3% across full stroke

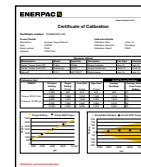
* TSP300 is designed for X-Edition tools only, and is not compatible with standard edition tools. For replacement components for existing tools, refer to repair sheet on www.enerpac.com



TSP - Pro Series Swivel

The optional TSP300 tilt and swivel manifold with robust interlocking design provides 360° X-axis rotation and 160° Y-axis rotation.

Page: 260



Calibration Certificate

All X-Edition cassettes are CE-ATEX certified, factory calibrated and are shipped complete with a calibration certificate.

CE Ex II 2 GD ck T4
CSA/SIRA 15XT072

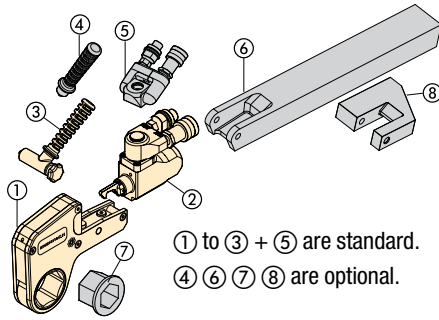


Bolting Integrity Software

Enerpac Bolting Integrity Software Solutions play a key role in implementing and managing an Integrity Program for bolted connections. The software offers Tool selection, Bolt Load calculations and Tool pressure settings, as well as, a combined Application Data Sheet and Joint Completion Report. Custom Joint information can also be entered.

Page: 416

Double-Acting Hydraulic Hexagon Wrenches, X-Edition



- ① Hexagon Cassette (pages 250-257)
- ② Drive Unit (page 249)
- ③ Angled Positioning Handle (page 248)
- ④ Straight Positioning Handle (page 248)
- ⑤ Pro Series Swivel (page 260)
- ⑥ Extended Reaction Arm (page 260)
- ⑦ Reducer Insert (pages 250-257)
- ⑧ Reaction Paddle (page 260)

① to ③ + ⑤ are standard.
④ ⑥ ⑦ ⑧ are optional.

W Series (X-Edition)



Nominal Torque at 10,000 psi:

35,000 ft.lbs

Hexagon Range:

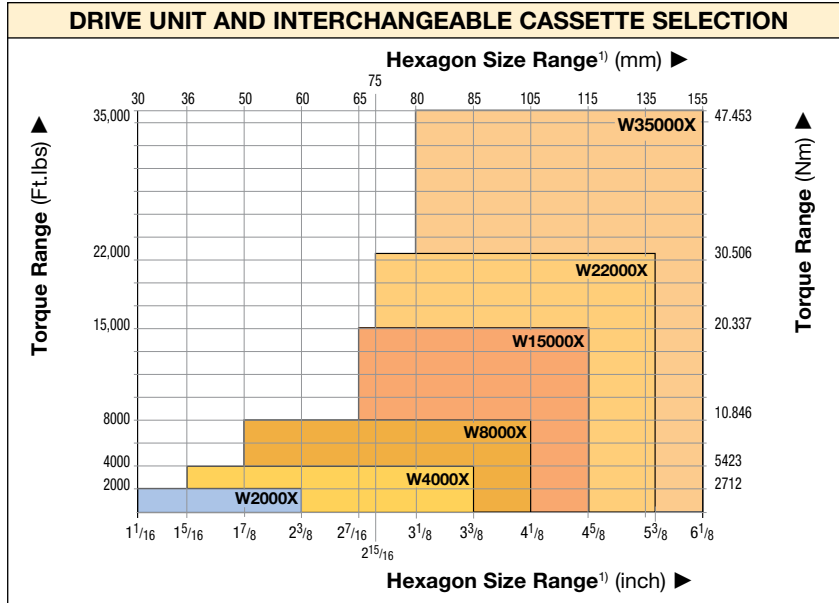
1 1/16 - 6 1/8 in | 30-155 mm

Nose Radius:

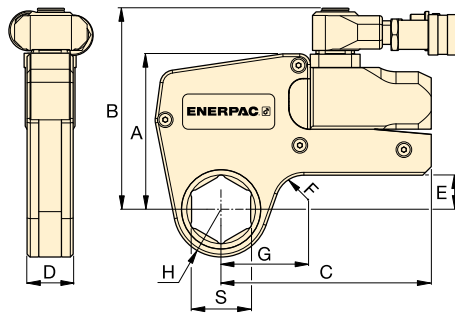
1.22 - 4.52 inches

Maximum Operating Pressure:

10,000 psi



¹⁾ See page 411 for table of hexagon sizes of bolts, nuts and related thread diameters.



SELECTION CHART

Hexagon Range *	Nominal Torque at 10,000 psi		Drive Unit Model Number **	Minimum Torque		Dimensions (in)					Weight (lbs)	
	(in)	(mm)		(Ft.lbs)	(Nm)	(Ft.lbs)	(Nm)	A	B	C		D
1 1/16 - 2 3/8	30 - 60	2040	2766	W2000X	204	277	4.29	5.55	5.83	1.26	0.79	3.04
1 5/16 - 3 3/8	36 - 85	4175	5661	W4000X	418	566	5.35	6.57	7.01	1.61	0.79	4.44
1 7/8 - 4 1/8	50 - 105	8470	11,484	W8000X	847	1148	6.77	8.07	8.19	2.07	0.98	6.59
2 7/16 - 4 5/8	65 - 115	15,330	20,785	W15000X	1533	2079	8.15	9.45	9.96	2.48	0.79	10.72
2 15/16 - 5 3/8	75 - 135	22,500	30,506	W22000X	2250	3050	8.94	10.46	11.68	3.03	1.38	16.98
3 1/8 - 6 1/8	80-155	35,000	47,453	W35000X	3500	4745	10.54	11.94	13.60	3.57	1.98	26.40

* With in-line reaction foot.

** To order a W-series (X-Edition) wrench fitted with the TSP swivel, insert a "P" prior to the "X" in the tool designation. e.g., W2000PX.



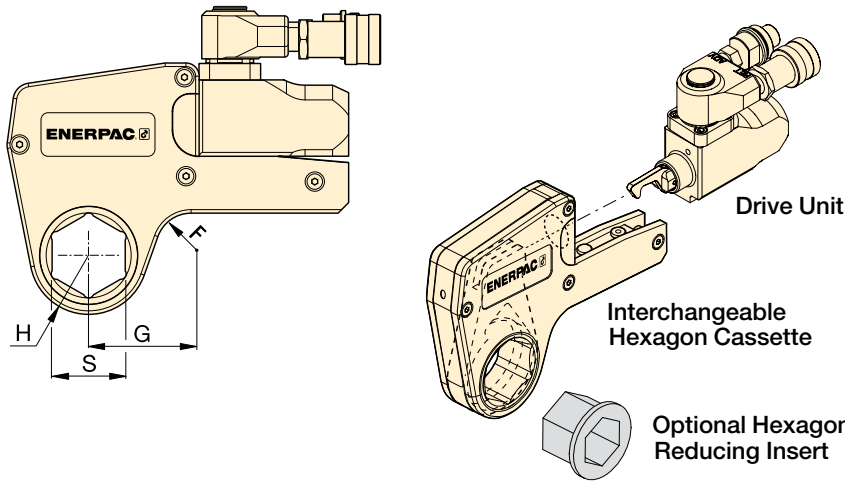
Torque Wrench Pump Selection Matrix

For optimum speed and performance see the torque wrench and pump matrix.

Page: 291

▼ These rigid steel wrenches with low-profile interchangeable hexagon cassettes guarantee durability and maximum versatility in bolting applications.





W Series (X-Edition)



Nominal Torque at 10,000 psi:

2040 ft.lbs

Hexagon Range:

1¹/₁₆ - 2³/₈ inches

Maximum Operating Pressure:

10,000 psi



Metric Sizes

For metric sizes of hexagon cassettes and reducer inserts see:

Page: 256



Back-Up Spanners

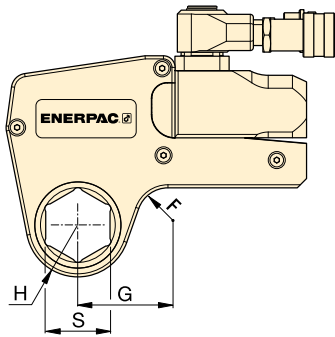
Hands free tool to be used to stop back nut from turning during make up or break out.

Page: 245

SELECTION CHART

Drive Unit Model Number	Hexagon Size	Nose Radius	Dim.	Model Number	Wt.	Hexagon Reducer		Hexagon Reducer		Hexagon Reducer	
						Hexagon Reducer (in)	Model Number	Hexagon Reducer (in)	Model Number	Hexagon Reducer (in)	Model Number
W2000X	S (in)	H (in)	G (in)		(lbs)						
	1 ¹ / ₁₆	1.22	2.11	W2101X	4.19	-	-	-	-	-	-
	1 ¹ / ₈	1.22	2.11	W2102X	4.19	-	-	-	-	-	-
	1 ³ / ₁₆	1.22	2.11	W2103X	4.19	-	-	-	-	-	-
	1 ¹ / ₄	1.22	2.11	W2104X	4.19	-	-	-	-	-	-
	1 ⁵ / ₁₆	1.22	2.11	W2105X	4.48	-	-	-	-	-	-
	1 ³ / ₈	1.22	2.11	W2106X	4.43	-	-	-	-	-	-
	1 ⁷ / ₁₆	1.22	2.11	W2107X	4.37	1 ⁷ / ₁₆ - 1 ¹ / ₈	W2107R102	-	-	-	-
	1 ¹ / ₂	1.32	2.29	W2108X	4.51	-	-	-	-	-	-
	1 ⁹ / ₁₆	1.32	2.29	W2109X	4.44	-	-	-	-	-	-
	1 ⁵ / ₈	1.32	2.29	W2110X	4.38	1 ⁵ / ₈ - 1 ¹ / ₄	W2110R104	1 ⁵ / ₈ - 1 ³ / ₁₆	W2110R103	-	-
	1 ¹¹ / ₁₆	1.44	2.38	W2111X	4.63	-	-	-	-	-	-
	1 ³ / ₄	1.44	2.38	W2112X	4.57	-	-	-	-	-	-
	1 ¹³ / ₁₆	1.44	2.38	W2113X	4.46	1 ¹³ / ₁₆ - 1 ⁷ / ₁₆	W2113R107	1 ¹³ / ₁₆ - 1 ¹ / ₄	W2113R104	-	-
	1 ⁷ / ₈	1.54	2.48	W2114X	4.69	-	-	-	-	-	-
	1 ¹⁵ / ₁₆	1.54	2.48	W2115X	4.64	-	-	-	-	-	-
	2	1.54	2.48	W2200X	4.54	2 - 1 ⁵ / ₈	W2200R110	2 - 1 ⁷ / ₁₆	W2200R107	-	-
	2 ¹ / ₁₆	1.65	2.70	W2201X	4.83	-	-	-	-	-	-
	2 ¹ / ₈	1.65	2.70	W2202X	4.74	-	-	-	-	-	-
	2 ³ / ₁₆	1.65	2.70	W2203X	4.64	2 ³ / ₁₆ - 1 ¹³ / ₁₆	W2203R113	2 ³ / ₁₆ - 1 ⁵ / ₈	W2203R110	2 ³ / ₁₆ - 1 ⁷ / ₁₆	W2203R107
2 ¹ / ₄	1.75	2.55	W2204X	4.94	-	-	-	-	-	-	
2 ⁵ / ₁₆	1.75	2.55	W2205X	4.84	-	-	-	-	-	-	
2 ³ / ₈	1.75	2.55	W2206X	4.72	2 ³ / ₈ - 2	W2206R200	2 ³ / ₈ - 1 ⁷ / ₈	W2206R114	2 ³ / ₈ - 1 ¹³ / ₁₆	W2206R113	
-	-	-	-	-	2 ³ / ₈ - 1 ¹ / ₂	W2206R108	2 ³ / ₈ - 1 ⁷ / ₁₆	W2206R107	2 ³ / ₈ - 1 ⁵ / ₈	W2206R110	

W4000X, Inch-Cassettes & Reducer Inserts



Nominal Torque at 10,000 psi:

4175 ft.lbs

Hexagon Range:

1⁵/₁₆ - 3³/₈ inches

Maximum Operating Pressure:

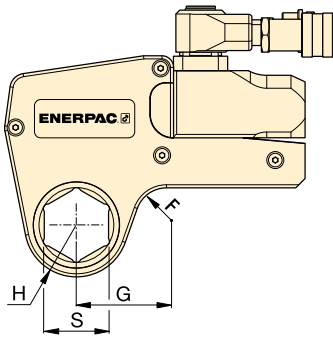
10,000 psi

W
Series
(X-Edition)



▼ **SELECTION CHART**

Drive Unit Model Number	Hexagon Size	Nose Radius	Dim.	Model Number	Wt.	Hexagon Reducer		Hexagon Reducer		Hexagon Reducer	
						(in)	Model Number	(in)	Model Number	(in)	Model Number
W4000X	1 ⁵ / ₁₆	1.46	2.40	W4105X	8.15	-	-	-	-	-	-
	1 ³ / ₈	1.46	2.40	W4106X	8.15	-	-	-	-	-	-
	1 ⁷ / ₁₆	1.46	2.40	W4107X	8.15	-	-	-	-	-	-
	1 ¹ / ₂	1.46	2.40	W4108X	8.31	-	-	-	-	-	-
	1 ⁹ / ₁₆	1.46	2.40	W4109X	8.22	-	-	-	-	-	-
	1 ⁵ / ₈	1.46	2.40	W4110X	8.15	-	-	-	-	-	-
	1 ¹¹ / ₁₆	1.56	2.52	W4111X	8.43	-	-	-	-	-	-
	1 ³ / ₄	1.56	2.52	W4112X	8.35	-	-	-	-	-	-
	1 ¹³ / ₁₆	1.56	2.52	W4113X	8.25	-	-	-	-	-	-
	1 ⁷ / ₈	1.63	2.63	W4114X	8.45	-	-	-	-	-	-
	1 ¹⁵ / ₁₆	1.63	2.63	W4115X	8.39	-	-	-	-	-	-
	2	1.63	2.63	W4200X	8.28	2 - 1 ⁷ / ₁₆	W4200R107	-	-	-	-
	2 ¹ / ₁₆	1.73	2.89	W4201X	8.65	-	-	-	-	-	-
	2 ¹ / ₈	1.73	2.89	W4202X	8.53	-	-	-	-	-	-
	2 ³ / ₁₆	1.73	2.89	W4203X	8.42	2 ³ / ₁₆ - 1 ⁵ / ₈	W4203R110	2 ³ / ₁₆ - 1 ⁷ / ₁₆	W4203R107	2 ³ / ₁₆ - 1 ¹ / ₄	W4203R104
	2 ¹ / ₄	1.83	2.78	W4204X	8.73	-	-	-	-	-	-
	2 ⁵ / ₁₆	1.83	2.78	W4205X	8.61	-	-	-	-	-	-
	2 ³ / ₈	1.83	2.78	W4206X	8.47	2 ³ / ₈ - 2	W4206R200	2 ³ / ₈ - 1 ¹³ / ₁₆	W4206R113	2 ³ / ₈ - 1 ⁷ / ₁₆	W4206R107
	-	-	-	-	-	2 ³ / ₈ - 1 ³ / ₈	W4206R106	-	-	-	-
	2 ⁷ / ₁₆	1.95	3.00	W4207X	8.96	2 ⁷ / ₁₆ - 2	W4207R200	-	-	-	-
	2 ¹ / ₂	1.95	3.00	W4208X	8.86	2 ¹ / ₂ - 2	W4208R200	2 ¹ / ₂ - 1 ¹³ / ₁₆	W4208R113	2 ¹ / ₂ - 2 ¹ / ₁₆	W4208R201
	2 ⁹ / ₁₆	1.95	3.00	W4209X	8.67	2 ⁹ / ₁₆ - 2 ³ / ₁₆	W4209R203	2 ⁹ / ₁₆ - 2 ¹ / ₈	W4209R202	-	-
	-	-	-	-	-	2 ⁹ / ₁₆ - 2	W4209R200	2 ⁹ / ₁₆ - 1 ¹³ / ₁₆	W4209R113	-	-
	2 ⁵ / ₈	2.07	3.08	W4210X	9.14	-	-	-	-	-	-
	2 ¹¹ / ₁₆	2.07	3.08	W4211X	9.03	-	-	-	-	-	-
	2 ³ / ₄	2.07	3.08	W4212X	8.84	2 ³ / ₄ - 2 ³ / ₈	W4212R206	2 ³ / ₄ - 2 ³ / ₁₆	W4212R203	2 ³ / ₄ - 2 ¹ / ₈	W4212R202
	2 ¹³ / ₁₆	2.18	3.21	W4213X	9.32	-	-	-	-	-	-
	2 ⁷ / ₈	2.18	3.21	W4214X	9.17	-	-	-	-	-	-
	2 ¹⁵ / ₁₆	2.18	3.21	W4215X	8.96	2 ¹⁵ / ₁₆ - 2 ⁹ / ₁₆	W4215R209	2 ¹⁵ / ₁₆ - 2 ³ / ₈	W4215R206	2 ¹⁵ / ₁₆ - 2 ³ / ₁₆	W4215R203
	-	-	-	-	-	2 ¹⁵ / ₁₆ - 2	W4215R200	-	-	-	-
	3	2.30	3.29	W4300X	9.51	3 - 2 ³ / ₁₆	W4300R203	-	-	-	-
	3 ¹ / ₁₆	2.30	3.29	W4301X	9.42	-	-	-	-	-	-
	3 ¹ / ₈	2.30	3.29	W4302X	9.16	-	-	3 ¹ / ₈ - 2 ³ / ₄	W4302R212	3 ¹ / ₈ - 2 ⁹ / ₁₆	W4302R209
	-	-	-	-	-	3 ¹ / ₈ - 2 ³ / ₈	W4302R206	3 ¹ / ₈ - 2 ⁵ / ₁₆	W4302R205	3 ¹ / ₈ - 2 ¹ / ₄	W4302R204
	-	-	-	-	-	3 ¹ / ₈ - 2 ³ / ₁₆	W4302R203	3 ¹ / ₈ - 2 ¹ / ₈	W4302R202	3 ¹ / ₈ - 2	W4302R200
	3 ³ / ₁₆	2.44	3.37	W4303X	9.92	-	-	-	-	-	-
3 ¹ / ₄	2.44	3.37	W4304X	9.92	-	-	-	-	-	-	
3 ⁵ / ₁₆	2.44	3.37	W4305X	9.92	-	-	-	-	-	-	
3 ³ / ₈	2.44	3.37	W4306X	9.92	-	-	-	-	-	-	



Nominal Torque at 10,000 psi:

8470 ft.lbs

Hexagon Range:

1⁷/₈ - 4¹/₈ inches

Maximum Operating Pressure:

10,000 psi

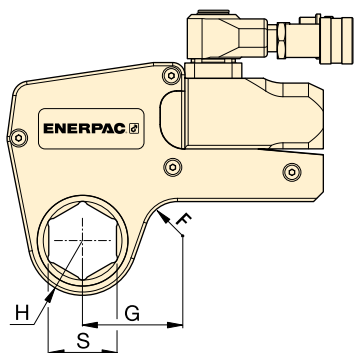
W
Series
(X-Edition)



▼ SELECTION CHART

Drive Unit Model Number	Hexagon Size	Nose Radius	Dim.	Model Number	Wt.	Hexagon Reducer		Hexagon Reducer		Hexagon Reducer	
						Hexagon Reducer (in)	Model Number	Hexagon Reducer (in)	Model Number	Hexagon Reducer (in)	Model Number
W8000X	S (in)	H (in)	G (in)		(lbs)						
	1 ⁷ / ₈	1.77	3.08	W8114X	17.97	-	-	-	-	-	-
	1 ¹⁵ / ₁₆	1.77	3.08	W8115X	17.89	-	-	-	-	-	-
	2	1.77	3.08	W8200X	17.75	-	-	-	-	-	-
	2 ¹ / ₁₆	1.89	3.15	W8201X	17.52	-	-	-	-	-	-
	2 ¹ / ₈	1.89	3.15	W8202X	17.36	-	-	-	-	-	-
	2 ³ / ₁₆	1.89	3.15	W8203X	17.22	-	-	-	-	-	-
	2 ¹ / ₄	2.01	3.25	W8204X	17.92	-	-	-	-	-	-
	2 ⁵ / ₁₆	2.01	3.25	W8205X	17.76	-	-	-	-	-	-
	2 ³ / ₈	2.01	3.25	W8206X	17.59	-	-	-	-	-	-
	2 ⁷ / ₁₆	2.07	3.38	W8207X	17.65	-	-	-	-	-	-
	2 ¹ / ₂	2.07	3.38	W8208X	17.52	-	-	-	-	-	-
	2 ⁹ / ₁₆	2.07	3.38	W8209X	17.29	2 ⁹ / ₁₆ - 2	W8209R200	-	-	-	-
	2 ⁵ / ₈	2.20	3.34	W8210X	17.50	-	-	-	-	-	-
	2 ¹¹ / ₁₆	2.20	3.34	W8211X	17.36	-	-	-	-	-	-
	2 ³ / ₄	2.20	3.34	W8212X	17.12	2 ³ / ₄ - 2 ³ / ₁₆	W8212R203	-	-	-	-
	2 ¹³ / ₁₆	2.28	3.35	W8213X	17.57	-	-	-	-	-	-
	2 ⁷ / ₈	2.28	3.35	W8214X	17.38	-	-	-	-	-	-
	2 ¹⁵ / ₁₆	2.28	3.35	W8215X	17.11	2 ¹⁵ / ₁₆ - 2 ³ / ₈	W8215R206	2 ¹⁵ / ₁₆ - 2 ³ / ₈	W8215R203	-	-
	3	2.38	3.52	W8300X	17.77	-	-	-	-	-	-
	3 ¹ / ₁₆	2.38	3.52	W8301X	17.65	-	-	-	-	-	-
	3 ¹ / ₈	2.38	3.52	W8302X	17.33	3 ¹ / ₈ - 2 ⁹ / ₁₆	W8302R209	3 ¹ / ₈ - 2 ⁹ / ₁₆	W8302R206	3 ¹ / ₈ - 2 ³ / ₁₆	W8302R203
	-	-	-	-	-	3 ¹ / ₈ - 2	W8302R200	-	-	-	-
	3 ³ / ₁₆	2.60	3.63	W8303X	18.99	-	-	-	-	-	-
	3 ¹ / ₄	2.60	3.63	W8304X	18.72	-	-	-	-	-	-
	3 ⁵ / ₁₆	2.60	3.63	W8305X	18.54	-	-	-	-	-	-
	3 ³ / ₈	2.60	3.63	W8306X	18.36	-	-	-	-	-	-
	3 ⁷ / ₁₆	2.60	3.63	W8307IX	18.11	-	-	-	-	-	-
	3 ¹ / ₂	2.60	3.63	W8308X	17.81	3 ¹ / ₂ - 3	W8308R300	3 ¹ / ₂ - 2 ¹⁵ / ₁₆	W8308R215	3 ¹ / ₂ - 2 ³ / ₄	W8308R212
	3 ⁹ / ₁₆	2.91	4.05	W8309X	20.36	-	-	-	-	-	-
	3 ⁵ / ₈	2.91	4.05	W8310X	20.18	-	-	-	-	-	-
	3 ¹¹ / ₁₆	2.91	4.05	W8311X	19.93	-	-	-	-	-	-
3 ³ / ₄	2.91	4.05	W8312X	19.71	3 ³ / ₄ - 3 ¹ / ₈	W8312R302	3 ³ / ₄ - 2 ¹⁵ / ₁₆	W8312R215	3 ³ / ₄ - 2 ³ / ₄	W8312R212	
3 ¹³ / ₁₆	2.91	4.05	W8313X	19.46	-	-	-	-	-	-	
3 ⁷ / ₈	2.91	4.05	W8314X	19.10	3 ⁷ / ₈ - 3 ¹ / ₈	W8314R302	3 ⁷ / ₈ - 2 ¹⁵ / ₁₆	W8314R215	-	-	
3 ¹⁵ / ₁₆	3.13	4.33	W8315X	20.31	-	-	-	-	-	-	
4	3.13	4.33	W8400X	20.04	-	-	-	-	-	-	
4 ¹ / ₁₆	3.13	4.33	W8401IX	19.80	-	-	-	-	-	-	
4 ¹ / ₈	3.13	4.33	W8402X	19.39	-	-	-	-	-	-	

W15000X, Inch-Cassettes & Reducer Inserts



Nominal Torque at 10,000 psi:

15,330 ft.lbs

Hexagon Range:

2⁷/₁₆ - 4⁵/₈ inches

Maximum Operating Pressure:

10,000 psi

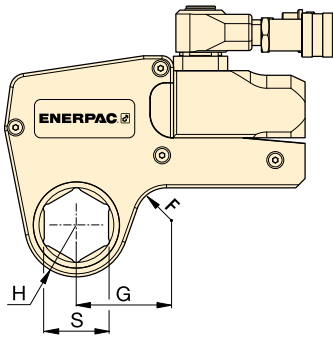
W
Series
(X-Edition)



▼ SELECTION CHART

Drive Unit Model Number	Hexagon Size	Nose Radius	Dim. G	Model Number	Wt. (lbs)	Hexagon Reducer		Hexagon Reducer		Hexagon Reducer		
						Hexagon Reducer (in)	Model Number	Hexagon Reducer (in)	Model Number	Hexagon Reducer (in)	Model Number	
W15000X	S	H	G									
	(in)	(in)	(in)									
		2 ⁷ / ₁₆	2.32	3.49	W15207X	30.72	-	-	-	-	-	-
		2 ¹ / ₂	2.32	3.49	W15208X	30.72	-	-	-	-	-	-
		2 ⁹ / ₁₆	2.32	3.49	W15209X	30.72	-	-	-	-	-	-
		2 ⁵ / ₈	2.32	3.49	W15210X	30.72	-	-	-	-	-	-
		2 ¹¹ / ₁₆	2.32	3.49	W15211X	30.72	-	-	-	-	-	-
		2 ³ / ₄	2.32	3.49	W15212X	30.72	-	-	-	-	-	-
		2 ¹³ / ₁₆	2.44	3.56	W15213X	30.62	-	-	-	-	-	-
		2 ⁷ / ₈	2.44	3.56	W15214X	30.39	-	-	-	-	-	-
		2 ¹⁵ / ₁₆	2.44	3.56	W15215X	30.08	-	-	-	-	-	-
		3	2.54	3.66	W15300X	30.86	3 - 2 ¹ / ₈	W15300R202	-	-	-	-
		3 ¹ / ₁₆	2.54	3.66	W15301X	30.71	-	-	-	-	-	-
		3 ³ / ₈	2.54	3.66	W15302X	30.34	3 ¹ / ₈ - 2 ⁹ / ₁₆	W15302R209	-	-	-	-
		3 ³ / ₁₆	2.74	3.80	W15303X	32.38	-	-	-	-	-	-
		3 ¹ / ₄	2.74	3.80	W15304X	32.07	-	-	-	-	-	-
		3 ⁵ / ₁₆	2.74	3.80	W15305X	31.85	-	-	-	-	-	-
		3 ³ / ₈	2.74	3.80	W15306X	31.63	-	-	-	-	-	-
		3 ⁷ / ₁₆	2.74	3.80	W15307IX	31.32	-	-	-	-	-	-
		3 ¹ / ₂	2.74	3.80	W15308X	30.98	3 ¹ / ₂ - 2 ¹⁵ / ₁₆	W15308R215	3 ¹ / ₂ - 2 ³ / ₄	W15308R212	-	-
		3 ⁹ / ₁₆	2.95	4.01	W15309X	31.70	-	-	-	-	-	-
		3 ⁵ / ₈	2.95	4.01	W15310X	31.70	-	-	-	-	-	-
		3 ¹¹ / ₁₆	2.95	4.01	W15311X	31.70	-	-	-	-	-	-
		3 ³ / ₄	2.95	4.01	W15312X	31.70	3 ³ / ₄ - 3 ¹ / ₈	W15312R302	3 ³ / ₄ - 2 ¹⁵ / ₁₆	W15312R215	-	-
		3 ¹³ / ₁₆	2.95	4.01	W15313X	31.70	-	-	-	-	-	-
		3 ⁷ / ₈	2.95	4.01	W15314X	31.70	3 ⁷ / ₈ - 3 ¹ / ₈	W15314R302	3 ⁷ / ₈ - 2 ¹⁵ / ₁₆	W15314R215	-	-
		3 ¹⁵ / ₁₆	3.17	4.06	W15315X	34.02	-	-	-	-	-	-
		4	3.17	4.06	W15400X	33.70	-	-	-	-	-	-
		4 ¹ / ₁₆	3.17	4.06	W15401IX	33.41	-	-	-	-	-	-
		4 ¹ / ₈	3.17	4.06	W15402X	33.09	4 ¹ / ₈ - 3 ¹ / ₂	W15402R308	4 ¹ / ₈ - 3 ⁵ / ₁₆	W15402R305	4 ¹ / ₈ - 3 ¹ / ₄	W15402R304
		4 ³ / ₁₆	3.17	4.06	W15403IX	32.81	-	-	-	-	-	-
	4 ¹ / ₄	3.17	4.06	W15404X	32.29	4 ¹ / ₄ - 3 ¹ / ₂	W15404R308	4 ¹ / ₄ - 3 ¹ / ₈	W15404R302	-	-	
	4 ⁵ / ₁₆	3.44	4.52	W15405X	35.61	-	-	-	-	-	-	
	4 ³ / ₈	3.44	4.52	W15406X	35.32	-	-	-	-	-	-	
	4 ⁷ / ₁₆	3.44	4.52	W15407X	34.99	-	-	-	-	-	-	
	4 ¹ / ₂	3.44	4.52	W15408IX	34.63	-	-	-	-	-	-	
	4 ⁹ / ₁₆	3.44	4.52	W15409IX	34.28	-	-	-	-	-	-	
	4 ⁵ / ₈	3.44	4.52	W15410IX	33.72	4 ⁵ / ₈ - 3 ¹⁵ / ₁₆	W15410R315	4 ⁵ / ₈ - 3 ⁷ / ₈	W15410R314	4 ⁵ / ₈ - 3 ³ / ₄	W15410R312	
	-	-	-	-	-	4 ⁵ / ₈ - 3 ¹ / ₂	W15410R308	-	-	-	-	

W22000X, Inch-Cassettes & Reducer Inserts **ENERPAC**



Nominal Torque at 10,000 psi:

22,500 ft.lbs

Hexagon Range:

2¹⁵/₁₆ - 5³/₈ inches




Maximum Operating Pressure:

10,000 psi

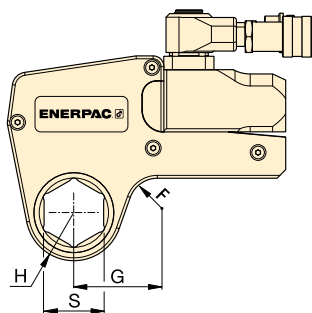
W
Series
(X-Edition)



▼ SELECTION CHART

Drive Unit Model Number	Hexagon Size	Nose Radius	Dim.	Model Number	Wt.						
						Hexagon Reducer (in)	Model Number	Hexagon Reducer (in)	Model Number	Hexagon Reducer (in)	Model Number
W22000X	2¹⁵/₁₆	2.64	4.02	W22215X	48.72	-	-	-	-	-	-
	3	2.64	4.02	W22300X	48.40	-	-	-	-	-	-
	3¹/₁₆	2.64	4.02	W22301X	48.22	-	-	-	-	-	-
	3¹/₈	2.64	4.02	W22302X	47.78	3 ¹ / ₈ - 2 ³ / ₈	W22302R206	3 ¹ / ₈ - 2 ³ / ₁₆	W22302R203	-	-
	3³/₁₆	2.85	4.23	W22303X	50.58	-	-	-	-	-	-
	3¹/₄	2.85	4.23	W22304X	50.19	-	-	-	-	-	-
	3⁵/₁₆	2.85	4.23	W22305X	49.92	-	-	-	-	-	-
	3³/₈	2.85	4.23	W22306X	49.66	-	-	-	-	-	-
	3⁷/₁₆	2.85	4.23	W22307X	50.29	-	-	-	-	-	-
	3¹/₂	2.85	4.23	W22308X	48.87	3 ¹ / ₂ - 2 ³ / ₄	W22308R212	3 ¹ / ₂ - 2 ⁹ / ₁₆	W22308R209	3 ¹ / ₂ - 2 ³ / ₈	W22308R206
	3⁹/₁₆	3.07	4.45	W22309X	51.58	-	-	-	-	-	-
	3⁵/₈	3.07	4.45	W22310X	51.30	-	-	-	-	-	-
	3¹¹/₁₆	3.07	4.45	W22311X	50.93	-	-	-	-	-	-
	3³/₄	3.07	4.45	W22312X	50.62	3 ³ / ₄ - 2 ¹⁵ / ₁₆	W22312R215	-	-	-	-
	3¹³/₁₆	3.07	4.45	W22313X	50.24	-	-	-	-	-	-
	3⁷/₈	3.07	4.45	W22314X	49.77	3 ⁷ / ₈ - 3 ¹ / ₈	W22314R302	3 ⁷ / ₈ - 2 ¹⁵ / ₁₆	W22314R215	3 ⁷ / ₈ - 2 ³ / ₄	W22314R212
	3¹⁵/₁₆	3.35	4.72	W22315X	53.57	-	-	-	-	-	-
	4	3.35	4.72	W22400X	53.19	-	-	-	-	-	-
	4¹/₁₆	3.35	4.72	W22401IX	52.82	-	-	-	-	-	-
	4¹/₈	3.35	4.72	W22402X	52.43	-	-	-	-	-	-
	4³/₁₆	3.35	4.72	W22403X	52.09	-	-	-	-	-	-
	4¹/₄	3.35	4.72	W22404X	51.48	4 ¹ / ₄ - 3 ¹ / ₂	W22404R308	4 ¹ / ₄ - 3 ¹ / ₈	W22404R302	4 ¹ / ₄ - 2 ¹⁵ / ₁₆	W22404R215
	4⁵/₁₆	3.54	4.92	W22405X	54.26	-	-	-	-	-	-
	4³/₈	3.54	4.92	W22406X	53.91	-	-	-	-	-	-
	4⁷/₁₆	3.54	4.92	W22407X	53.50	-	-	-	-	-	-
	4¹/₂	3.54	4.92	W22408IX	53.06	-	-	-	-	-	-
	4⁹/₁₆	3.54	4.92	W22409X	52.64	-	-	-	-	-	-
	4⁵/₈	3.54	4.92	W22410IX	51.99	4 ⁵ / ₈ - 3 ⁷ / ₈	W22410R314	4 ⁵ / ₈ - 3 ³ / ₄	W22410R312	4 ⁵ / ₈ - 3 ¹ / ₂	W22410R308
	4³/₄	3.74	5.12	W22412X	54.54	-	-	-	-	-	-
	4⁷/₈	3.74	5.12	W22414X	53.60	-	-	-	-	-	-
	5	3.74	5.12	W22500X	52.37	5 - 4 ¹ / ₄	W22500R404	5 - 4 ¹ / ₈	W22500R402	5 - 3 ⁷ / ₈	W22500R314
	5¹/₈	3.94	5.31	W22502X	55.10	-	-	-	-	-	-
5¹/₁₆	3.94	5.31	W22503X	54.71	-	-	-	-	-	-	
5¹/₄	3.94	5.31	W22504X	54.05	-	-	-	-	-	-	
5³/₈	3.94	5.31	W22506X	52.77	5 ³ / ₈ - 4 ⁵ / ₈	W22506R410	5 ³ / ₈ - 4 ¹ / ₄	W22506R404	5 ³ / ₈ - 4 ¹ / ₈	W22506R402	
-	-	-	W22506X	52.77	5 ³ / ₈ - 3 ⁷ / ₈	W22506R314	-	-	-	-	

W35000X, Inch-Cassettes & Reducer Inserts



▼ SELECTION CHART

Drive Unit Model Number	Hexagon Size	Nose Radius	Dim.	Model Number	Wt.	Image	
						Hexagon Reducer (in)	Model Number
	S (in)	H (in)	G (in)		(lbs)		
W35000X	3 1/8	3.02	4.99	W35302X	72.30	3 1/8 - 2	W35302R200
	3 3/16	3.02	4.99	W35303X	72.10	-	-
	3 1/4	3.02	4.99	W35304X	71.70	-	-
	3 5/16	3.02	4.99	W35305X	71.40	-	-
	3 3/8	3.02	4.99	W35306X	71.00	-	-
	3 7/16	3.02	4.99	W35307IX	70.50	-	-
	3 1/2	3.02	4.99	W35308X	70.10	3 1/2 - 2 5/16	W35308R205
	3 9/16	3.23	5.22	W35309X	71.40	-	-
	3 5/8	3.23	5.22	W35310X	73.40	-	-
	3 11/16	3.23	5.22	W35311X	73.00	-	-
	3 3/4	3.23	5.22	W35312X	72.50	-	-
	3 13/16	3.23	5.22	W35313X	72.10	-	-
	3 7/8	3.23	5.22	W35314X	71.40	3 7/8 - 2 11/16	W35314R211
	3 15/16	3.45	5.39	W35315X	70.80	3 15/16 - 2 13/16	W35315R213
	4	3.45	5.39	W35400X	74.70	-	-
	4 1/16	3.45	5.39	W35401X	74.30	-	-
	4 1/8	3.45	5.39	W35402X	73.90	-	-
	4 3/16	3.45	5.39	W35403X	73.40	-	-
	4 1/4	3.45	5.39	W35404X	72.80	4 1/4 - 3 11/16	W35404R301
	4 5/16	3.69	5.63	W35405X	76.90	-	-
	4 3/8	3.69	5.63	W35406X	76.50	-	-
	4 7/16	3.69	5.63	W35407X	76.10	-	-
	4 1/2	3.69	5.63	W35408X	75.60	-	-
	4 9/16	3.69	5.63	W35409IX	75.20	-	-
	4 5/8	3.69	5.63	W35410IX	74.50	4 5/8 - 3 5/8	W35410R310
	4 3/4	3.91	5.85	W35412X	78.50	4 3/4 - 3 3/4	W35412R312
	4 7/8	3.91	5.85	W35414X	76.90	-	-
	5	3.91	5.85	W35500X	75.60	5 - 4	W35500R400
	5 1/8	4.09	6.02	W35502X	78.90	5 1/8 - 4 1/8	W35502R402
	5 1/16	4.09	6.02	W35503X	78.50	-	-
	5 1/4	4.09	6.02	W35504X	77.60	-	-
	5 3/8	4.09	6.02	W35506X	76.30	5 3/8 - 4 5/16	W35506R405
5 1/2	4.31	6.24	W35508X	79.80	-	-	
5 9/16	4.31	6.24	W35509X	79.40	-	-	
5 5/8	4.31	6.24	W35510X	78.50	-	-	
5 3/4	4.31	6.24	W35512X	76.90	5 3/4 - 4 3/4	W35512R412	
5 7/8	4.52	6.46	W35514X	80.90	5 7/8 - 4 7/8	W35514R414	
6	4.52	6.46	W35600X	79.60	-	-	
6 1/8	4.52	6.46	W35602X	77.80	6 1/8 - 5 1/8	W35602R502	

W Series (X-Edition)



Nominal Torque at 10,000 psi:

35,000 ft.lbs

Hexagon Range:

3 1/8 - 6 1/8 inches

Maximum Operating Pressure:

10,000 psi



Back-Up Spanners

Hands free tool to be used to stop back nut from turning during make up or break out.

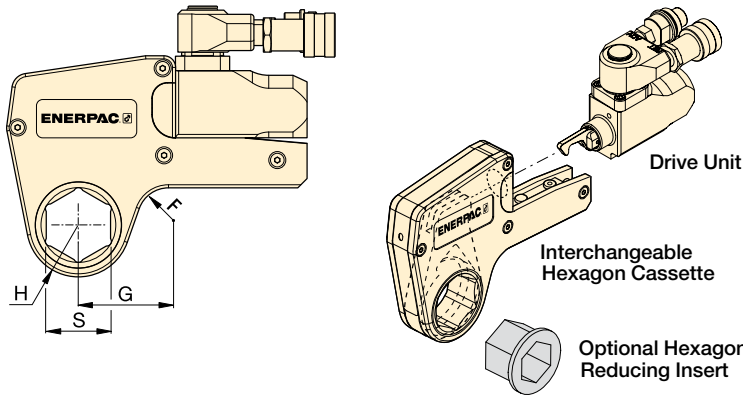
Page: 245



Hexagon Bolt and Nut Sizes

See the table of hexagon sizes of bolts, nuts and related thread diameters.

Page: 411



W Series (X-Edition)



Hexagon Range:
24 - 105 mm

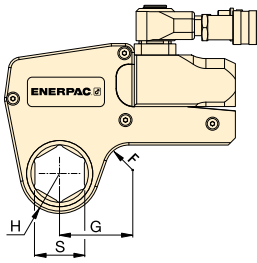
Maximum Operating Pressure:
10,000 psi (690 bar)

▼ SELECTION CHART

Drive Unit Model Number	Hexagon Size* S (mm)	Nose Radius H (in)	Dim. G (in)	Model Number	Wt. (lbs)	Hexagon Reducer		Hexagon Reducer		Hexagon Reducer		
						Hexagon Reducer (mm)	Model Number	Hexagon Reducer (mm)	Model Number	Hexagon Reducer (mm)	Model Number	
W2000X	30	1.22	2.11	W2103X	4.19	-	-	-	-	-	-	
	32	1.22	2.11	W2104X	4.19	-	-	-	-	-	-	
	36	1.22	2.11	W2107X	4.19	-	-	-	-	-	-	
	38	1.32	2.29	W2108X	4.51	-	-	-	-	-	-	
	41	1.32	2.29	W2110X	4.38	41 - 32	W2110R104	41 - 30	W2110R103	41 - 24	W2110R024M	
	46	1.44	2.38	W2113X	4.69	46 - 36	W2113R107	46 - 32	W2113R104	-	-	
	50	1.54	2.48	W2200X	4.54	50 - 41	W2200R110	50 - 36	W2200R107	-	-	
	55	1.65	2.70	W2203X	4.64	55 - 46	W2203R113	55 - 41	W2203R110	55 - 36	W2203R107	
	60	1.75	2.55	W2206X	4.72	60 - 50	W2206R200	60 - 46	W2206R113	60 - 41	W2206R110	
-	-	-	-	-	-	60 - 36	W2206R107	-	-	-	-	
W4000X	36	1.46	2.40	W4107X	7.72	-	-	-	-	-	-	
	41	1.46	2.40	W4110X	7.72	-	-	-	-	-	-	
	46	1.56	2.52	W4113X	7.94	-	-	-	-	-	-	
	50	1.63	2.63	W4200X	8.28	50 - 36	W4200R107	-	-	-	-	
	55	1.73	2.89	W4203X	8.42	55 - 41	W4203R110	55 - 36	W4203R107	55 - 32	W4203R104	
	60	1.83	2.78	W4206X	8.47	60 - 50	W4206R200	60 - 46	W4206R113	60 - 36	W4206R107	
	65	1.95	3.00	W4209X	8.67	65 - 55	W4209R203	65 - 50	W4209R200	65 - 46	W4209R113	
	70	2.07	3.08	W4212X	8.84	70 - 60	W4212R206	70 - 55	W4212R203	-	-	
	75	2.18	3.21	W4215X	8.96	75 - 65	W4215R209	75 - 60	W4215R206	-	-	
	-	-	-	-	-	-	75 - 55	W4215R203	75 - 50	W4215R200	-	-
	80	2.30	3.29	W4302X	9.16	80 - 75	W4302R215	80 - 70	W4302R212	80 - 65	W4302R209	
	-	-	-	-	-	-	80 - 55	W4302R203	80 - 50	W4302R200	-	-
W8000X	50	1.77	3.08	W8200X	17.75	-	-	-	-	-	-	
	55	1.89	3.15	W8203X	17.22	-	-	-	-	-	-	
	60	2.01	3.25	W8206X	17.59	-	-	-	-	-	-	
	65	2.07	3.38	W8209X	17.29	65 - 50	W8209R200	-	-	-	-	
	70	2.07	3.34	W8212X	17.12	70 - 55	W8212R203	-	-	-	-	
	75	2.28	3.35	W8215X	17.11	75 - 60	W8215R206	75 - 55	W8215R203	-	-	
	80	2.38	3.52	W8302X	17.33	80 - 65	W8302R209	80 - 60	W8302R206	80 - 55	W8302R203	
	-	-	-	-	-	-	80 - 50	W8302R200	-	-	-	
	85	2.60	3.63	W8085MX	18.42	85 - 70	W8085R070M	85 - 65	W8085R065M	85 - 60	W8085R060M	
	-	-	-	-	-	-	85 - 55	W8085R055M	-	-	-	
	90	2.91	4.05	W8090MX	20.46	90 - 75	W8090R075M	-	-	-	-	
	95	2.91	4.05	W8312X	19.71	95 - 80	W8312R302	95 - 75	W8312R215	-	-	
	100	3.13	4.33	W8315X	20.31	-	-	-	-	-	-	
105	3.13	4.33	W8402X	19.39	-	-	-	-	-	-		

* See page 411 for table of hexagon sizes of bolts, nuts and related thread diameters.

W-Series, Metric Cassettes and Reducer Inserts



Hexagon Range:
50 - 155 mm

Maximum Operating Pressure:
10,000 psi (690 bar)

W
Series
(X-Edition)



▼ SELECTION CHART

Drive Unit Model Number	Hexagon Size	Nose Radius	Dim.	Model Number	Wt.	Hexagon Reducer		Hexagon Reducer	
						Hexagon Reducer (mm)	Model Number	Hexagon Reducer (mm)	Model Number
W15000X	S (mm)	H (in)	G (in)		(lbs)				
	65	2.32	3.49	W15209X	30.72	-	-	-	-
	70	2.32	3.49	W15212X	30.72	-	-	-	-
	75	2.44	3.56	W15215X	30.08	-	-	-	-
	80	2.54	3.66	W15302X	30.34	80-65	W15302R209	-	-
	85	2.74	3.80	W15085MX	31.70	85-70	W15085R070M	-	-
	90	2.95	4.01	W15090MX	33.32	90-75	W15090R075M	-	-
	95	2.95	4.01	W15312X	31.70	95-80	W15312R302	95 - 75	W15312R215
	100	3.17	4.06	W15315X	34.02	-	-	-	-
	105	3.17	4.06	W15402X	33.09	105-90	W15402R090M	-	-
	110	3.44	4.52	W15405X	35.61	110-95	W15110R095M	-	-
115	3.44	4.52	W15115MX	34.48	115-100	W15115R100M	-	-	
W22000X	75	2.64	4.02	W22215X	48.72	-	-	-	-
	80	2.64	4.02	W22302X	47.78	80-60	W22302R206	80 - 55	W22302R203
	85	2.85	4.23	W22085MX	49.74	85-65	W22085MR209	85 - 60	W22085MR206
	90	3.07	4.45	W22090MX	51.72	90-70	W22090M212	90 - 60	W22090MR206
	95	3.07	4.45	W22312X	50.62	95-75	W22312R215	-	-
	100	3.35	4.72	W22315X	53.57	-	-	-	-
	105	3.35	4.72	W22402X	52.09	-	-	-	-
	110	3.54	4.92	W22404X	51.48	-	-	-	-
	115	3.54	4.92	W22115MX	52.88	-	-	-	-
	120	3.74	5.12	W22412X	54.54	-	-	-	-
	123	3.74	5.12	W22123MX	53.80	-	-	-	-
130	3.94	5.31	W22502X	55.10	-	-	-	-	
135	3.94	5.31	W22506X	52.77	135-105	W22506R402	-	-	
W35000X	80	3.02	5.08	W35302X	72.30	80-50	W35302R200	-	-
	85	3.02	5.08	W35085MX	33.10	-	-	-	-
	90	3.23	5.33	W35090MX	34.30	90-60	W35090R206	-	-
	95	3.23	5.30	W35312X	72.50	-	-	-	-
	100	3.45	5.48	W35315X	70.80	-	-	-	-
	105	3.45	5.48	W35402X	73.90	-	-	-	-
	110	3.69	5.75	W35405X	76.90	110-85	W35405R085M	-	-
	115	3.69	5.75	W35115MX	77.10	-	-	-	-
	120	3.91	6.01	W35412X	78.50	120-95	W35412R312	-	-
	123	3.91	6.01	W35123MX	78.90	-	-	-	-
	130	4.09	6.30	W35502X	78.90	130-105	W35502R402	-	-
	135	4.09	6.30	W35506X	76.30	135-110	W35506R405	-	-
	140	4.31	6.43	W35508X	79.80	140-115	W35508R115M	-	-
	145	4.31	6.43	W35512X	76.90	145-120	W35512R412	-	-
	150	4.52	6.67	W35514X	80.90	-	-	-	-
151	4.52	6.67	W35151MX	82.10	-	-	-	-	
155	4.52	6.67	W35602X	77.80	155-130	W35602R502	-	-	

▼ Shown: W4206SL stepped-width cassette with W4000X drive unit



Your Easy and Long-Lasting Solution to Difficult Access Bolting Applications



Designed for Tight Spots
Stepped width design provides easy access in confined areas. UltraSlim cassettes fit where standard solutions won't.

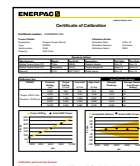


Built to Outperform
High endurance components keep working when others fail.



Top Mounted Handles
Standard top mounted handles provide safety and versatility; optional angled handles are also available.

Replacement handle (straight)	SWH6S
Angled handle (optional)	SWH6A



Calibration Certificate
All UltraSlim Series cassettes are CE - ATEX certified, factory calibrated and are shipped complete with a calibration certificate.

CE II 2 GD T4
CSA/SIRA 15XT072

Versatility

- Lean, stepped width design allows tool to be mounted over bolts where other tools won't fit
- Bi-Hexagonal cassette allows twice as many positioning points on nut or bolt
- Uses same drive unit as standard W-series hexagon cassettes
- Robust top mounted handle stays out of the way, providing safe fastening in hard to reach areas

Performance

- Premium components provide best-in-class endurance

Ease of Use

- Few moving parts are easily accessible for quick field maintenance
- Fast release drive unit enables rapid exchange of cassettes, no tools required and no pins to lose
- Uses same drive unit as standard and X-Edition cassettes

Accuracy

- Constant torque output provides accuracy of +/- 3% across the full stroke

Slim enough to fit and tough enough to last. This UltraSlim wrench is the perfect controlled bolting solution for this oil and gas flange. ►



UltraSlim Stepped-Width Cassettes

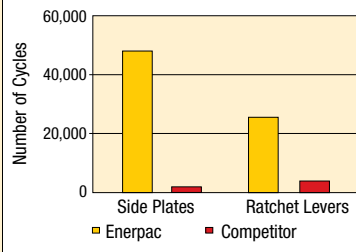


UltraSlim Stepped-Width Cassettes

Accessing narrow spaces normally requires significantly reducing the width of the torque wrench. For the tool operator, this has always meant vastly reduced tool durability, and/or reduced torque output.

By using the highest-grade materials, perfecting the geometry, and placing the positioning handle on top of the tool, Enerpac UltraSlim cassettes are able to provide greater torque, get into tighter spaces, and vastly outperform the competition in product durability.*

Durability of Key Components*



*Average test results, whereby three Enerpac 1³/₁₆" UltraSlim cassettes and three competitor 1³/₁₆" cassettes were tested at 4000 ft-lbs for 50,000 cycles. The Enerpac side plates never broke for the full duration of the test.

W-SL Series Ultra-Slim



Nominal Torque at 10,000 psi:

4360 Ft.lbs.

Hexagon Range:

1¹³/₁₆ - 2¹⁵/₁₆ inches

Maximum Operating Pressure:

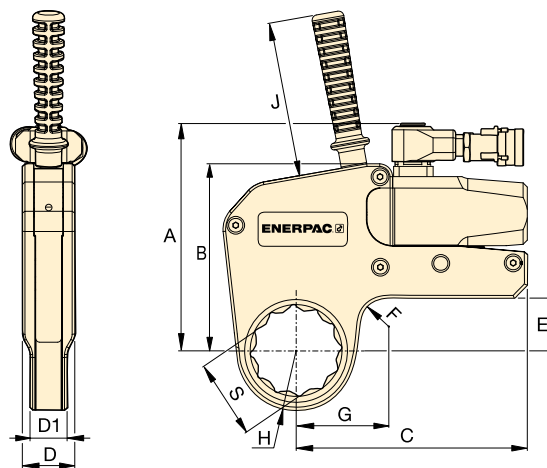
10,000 psi



Torque Wrench Pumps

Visit enerpac.com for system matched air and electric torque wrench pumps that are ideal for use with hydraulic torque wrenches.

Page: 291








Torque Wrench Hoses

Use Enerpac THQ-Series hoses with W-Series torque wrenches to ensure the integrity of your hydraulic system.

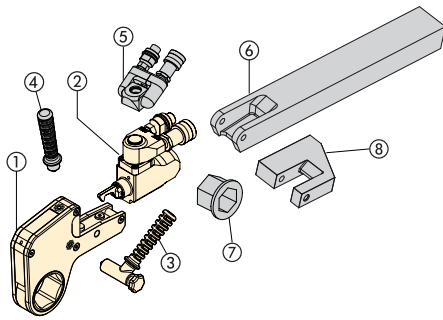
10,000 psi	
6 feet long, 2 hoses	THQ702T
19.5 feet long, 2 hoses	THQ706T
39 feet long, 2 hoses	THQ712T

SELECTION CHART

Hexagon Size	Nominal Torque @ 10,000 psi	Cassette Model Number *	Minimum Torque @ 1000 psi	Nose Radius	Dimensions (in)									Weight (lbs)	Drive Unit Model ** (sold separately)	
					S (in)	S (mm)	H (in)	G	A	B	C	D	D1			E
1 ³ / ₁₆	1980		200	1.44	2.35	5.54	4.30	5.81	1.28	1.00	0.94	0.79	4.72	4.87	W2000X	
														46		4.87
														50		4.87
														55		4.88
2 ³ / ₈	1980		200	1.75	2.56	6.91	5.69	7.03	1.59	1.13	1.61	0.79	4.72	10.15	W4000X	
														46		10.15
														55		10.36
														60		10.37
2 ⁹ / ₁₆	4360		430	1.99	2.92	6.91	5.69	7.03	1.59	1.13	1.61	0.79	4.72	10.37	W4000X	
														65		10.42
2 ³ / ₄	4360		430	2.11	2.98	6.91	5.69	7.03	1.59	1.13	1.61	0.79	4.72	10.42	W4000X	
2 ¹⁵ / ₁₆	4360		430	2.20	2.99	6.91	5.69	7.03	1.59	1.13	1.61	0.79	4.72	10.37	W4000X	

* Bi-Hexagonal Cassette includes top mounted straight handle.

** May also be used with **W2000PX** and **W4000PX** drive units, featuring double-swivel manifolds.

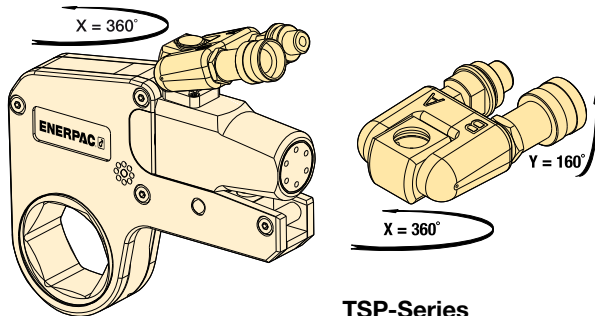


- ① Hexagon Cassette
- ② Drive Unit
- ③ Angled Positioning Handle
- ④ Straight Positioning Handle (optional)
- ⑤ Pro Series Swivel (optional)
- ⑥ Extended Reaction Arm (optional)
- ⑦ Reducer Insert (optional)
- ⑧ Reaction Paddle (optional)

TSP WTE WRP Series



TSP-Series, Pro Series Swivels



TSP-Series

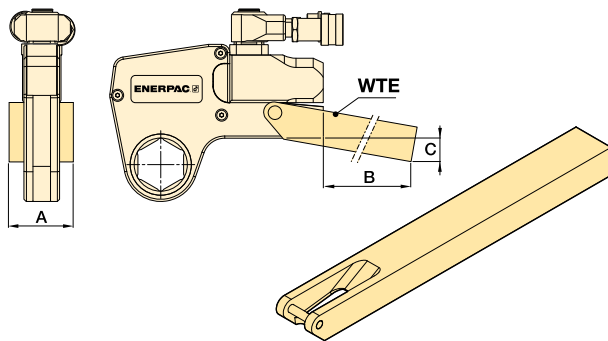
- Robust interlocking design
- 360° X-axis and 160° Y-axis rotation
- Increases tool fit in restricted access areas
- Simplifies hose placement
- Includes male and female couplers

Torque Wrench Model Number	Model Number	Maximum Pressure (psi)	Wt. (lbs)
W2000X, W4000X, W8000X, W15000X, W22000X, W35000X	TSP300*	10,000	0.44

Note: To order a W-series (X-Edition) wrench fitted with the TSP swivel, insert a "P" prior to the "X" in the tool designation, e.g., W2000PX.

* TSP300 is designed for X-Edition tools only, and is not compatible with standard edition tools. For replacement components for existing tools, refer to repair sheet on www.enerpac.com

WTE-Series, Extended Reaction Arm



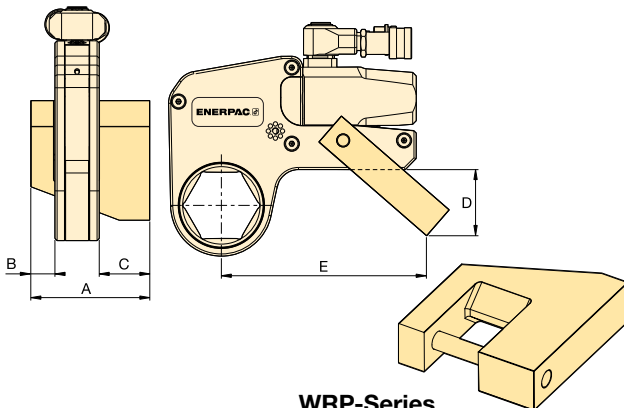
WTE-Series

- Full torque rated
- Increases tool fit in restricted access areas

Torque Wrench Model Number	Model Number	Dimensions (in)			Wt.* (lbs)
		A	B	C	
W2000X	WTE20	2.20	15.67	2.66	5.73
W4000X	WTE40	2.60	17.17	2.91	10.14
W8000X	WTE80	3.35	17.68	2.15	16.76
W15000X	WTE150	4.02	19.61	2.83	26.46
W22000X	WTE220	4.49	20.51	3.03	38.14
W35000X	WTE350	5.00	16.48	5.23	39.24

* Weights indicated are for the accessories only and do not include the wrench.

WRP-Series Reaction Paddles



WRP-Series

- Lightweight interchangeable design
- Allows for offset reaction when in-line reaction is not available

Torque Wrench Model Number	Model Number	Dimensions (in)					Wt.* (lbs)
		A	B	C	D	E	
W2000X	WRP20	3.31	0.63	1.40	1.77	5.83	0.88
W4000X	WRP40	4.29	0.83	1.87	2.32	7.48	1.76
W8000X	WRP80	5.37	1.02	2.25	2.72	8.78	4.41
W15000X	WRP150	6.50	1.26	2.74	3.43	10.12	8.60
W22000X	WRP220	8.15	1.52	3.58	5.28	12.48	15.87
W35000X	WRP350	9.22	1.79	3.58	7.17	13.98	23.37

* Weights indicated are for the accessories only and do not include the wrench.

ENERPAC professional series steel torque wrenches provide reliable controlled tightening solutions across many industries.

S3000X Square Drive Torque Wrench on Wind Turbine Assembly and Maintenance

S3000X used to connect wind turbine segments during assembly and maintenance. A robust but compact solution is required for bolt tightening on wind tower sections. Large numbers of fasteners require precise application of torque to ensure joint integrity is achieved and maintained.

The Enerpac S-Series wrench offers simple and reliable operation while providing accurate and repeatable results.



W4000X Low-Profile Torque Wrench on an API Pipe Flange

Throughout the Oil and Gas, Petrochemical and Processing Industries, pipeline joints, valves, pumps and machinery present challenges for controlled bolting.

The restricted access on this flange was easily overcome with an Enerpac W-Series Torque Wrench. The W Wrenches offer reliability and control, ensuring even and consistent torque is applied to all bolts.

S3000X on an Oil and Gas Flange

During maintenance, quick turnaround times are essential; S-Series wrenches provide a large angle of nut rotation per stroke, offering speed and accuracy in a compact ergonomic tool.

