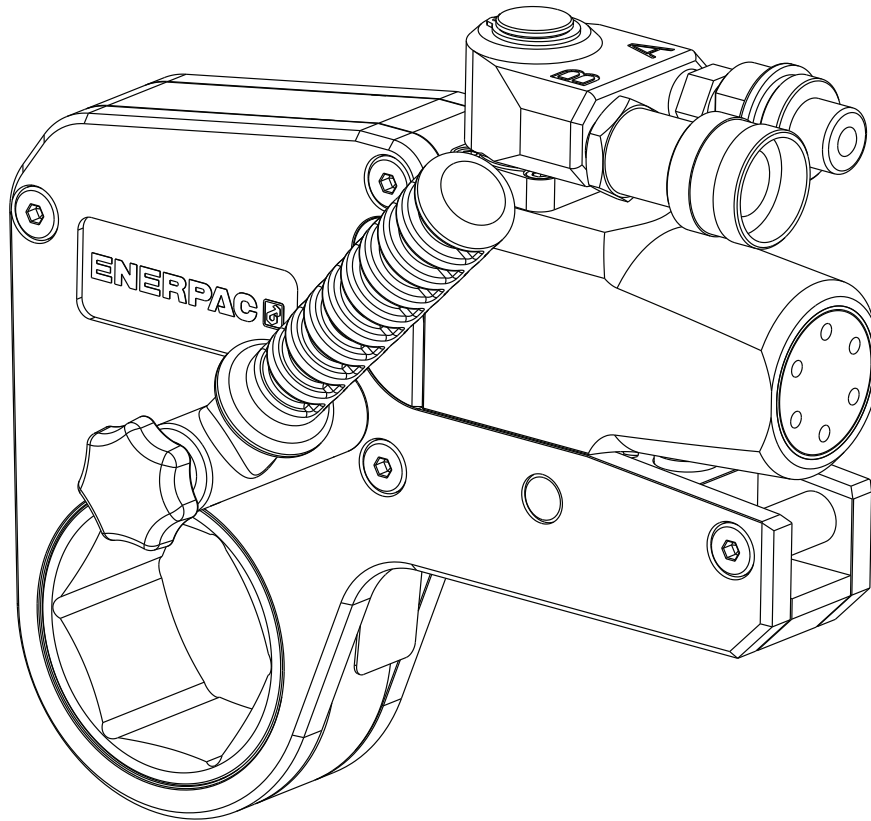


L4113 Rev. E 03/20

- For drive unit model numbers ending in "X" or "PX".
- For cassette model numbers ending in "X".

**To Protect Your Warranty, Use Only ENERPAC Hydraulic Oil.**

Enerpac recommends that all kit components be installed to insure optimum performance of the repaired product.



**Contents:**

	<b>Pages</b>
Figure 1, Cassette Assembly . . . . .	2-3
Figure 2, Ratchet Assembly, Sideplates and Guards . . . . .	4-5
Figure 3, Drive Unit and Swivel Assemblies . . . . .	6-7
Figure 4, Carrying Cases . . . . .	8

**Note:** Refer to the wrench instruction sheet for:

- Inspection, lubrication and maintenance instructions.
- Torque specifications for selected fasteners.
- Available accessories, including optional extended reaction arm and reaction paddle.

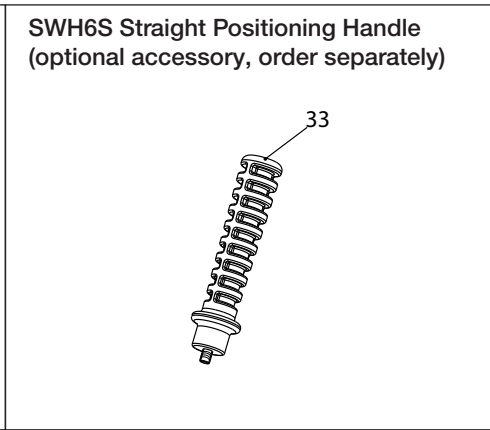
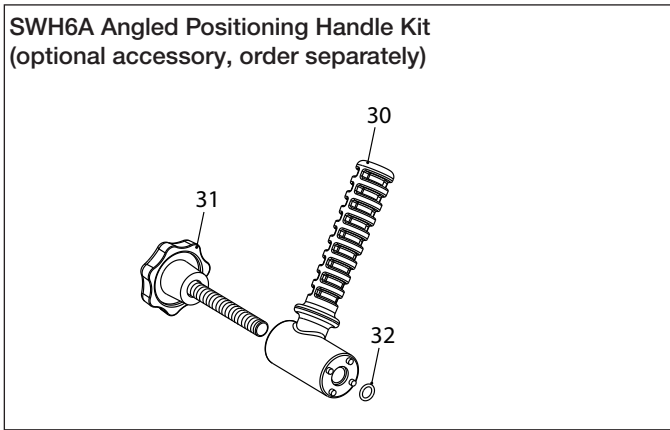
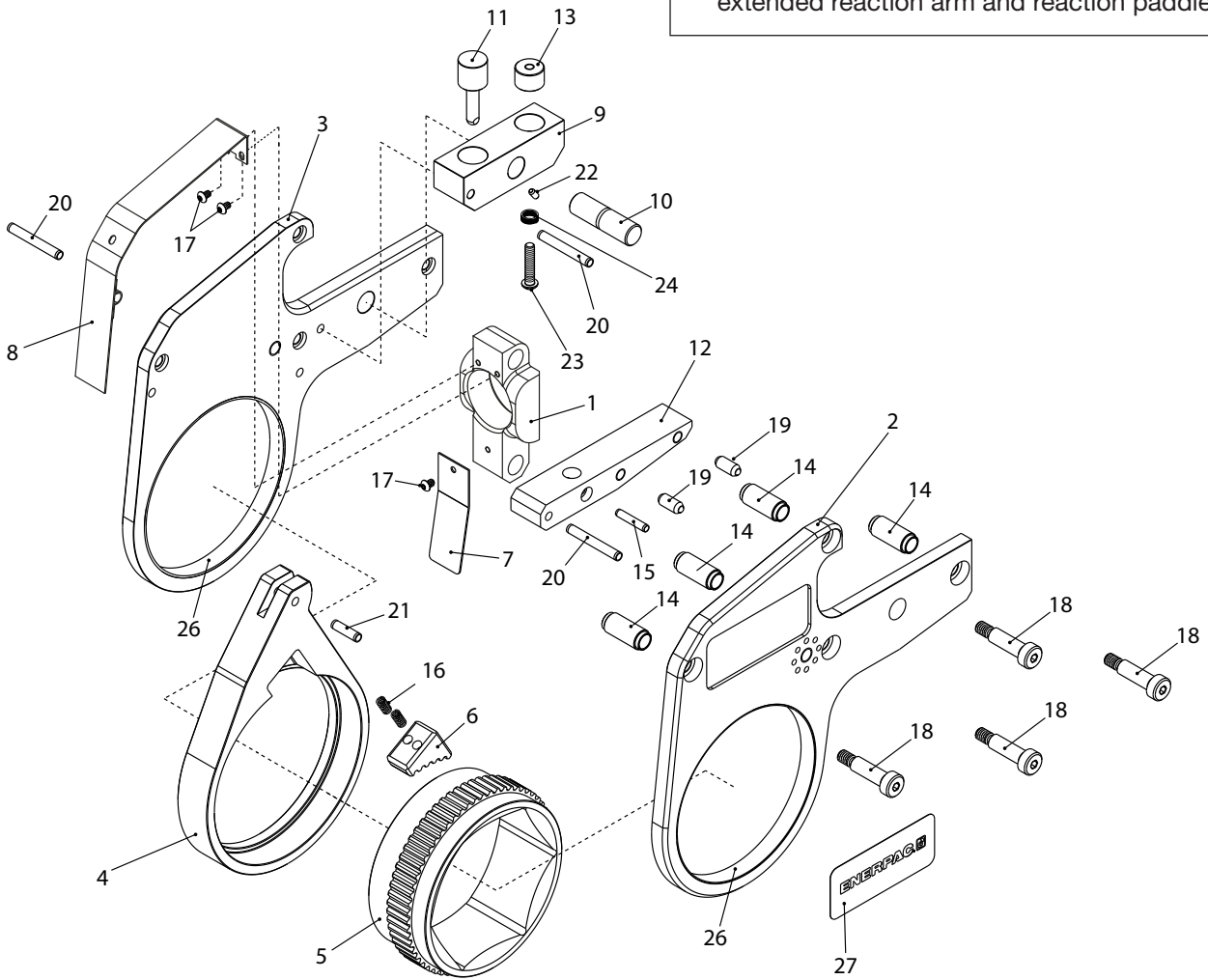


Figure 1, Cassette Assembly, W4000X Series

### Repair Parts List for Figure 1

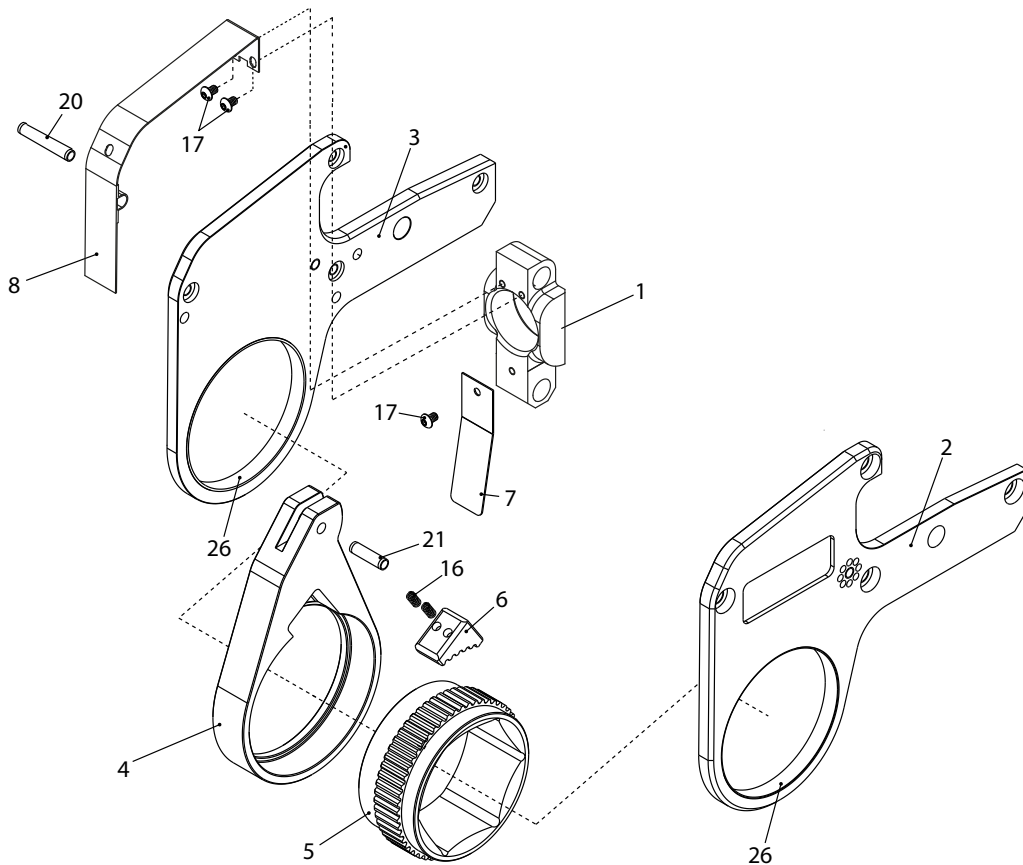
Item	Part Number	Quantity (used on wrench)	Quantity (included in each kit)									(*) Item available separately OR in kit.	Description	
			Sideplate and Bushing Kit (see Figure 2 for kit details)	Ratchet Lever and Pin Kit (see Figure 2 for kit details)	Ratchet Kit (see Figure 2 for kit details)	Drive Shoe Kit (see Figure 2 for kit details)	Head Guard Kit (see Figure 2 for kit details)	Safe Link Kit W4000SLKB	Cassette Hardware Kit W4000CHKB	Head Spacer Kit W4000HSK	Angled Positioning Handle Kit SWH6A			
1	(Not Available)	1												Cylinder Locating Plate
2	(See Figure 2)	1	1											Sideplate, Right-Hand
3	(See Figure 2)	1	1											Sideplate, Left-Hand
4	(See Figure 2)	1		1										Ratchet Lever
5	(See Figure 2)	1			1								*	Ratchet
6	(See Figure 2)	1			1	1								Drive Shoe
7	4000117	1					1							Guard, Rear
8	(See Figure 2)	1					1							Guard, Front
9	(Not Available)	1												Pin Retainer
10	4000110A	1						1					*	Spacer Retaining Pin
11	4000109A	1						1						Cylinder Retaining Pin
12	4000114A	1												Reaction Foot
13	4000115	1						1						Fail Safe Pin
14	4000113	4								4				Sideplate Spacer
15	CCA423057-2A	1						1						Pin, Spirol
16	E3074K	2			2	2			2				*	Spring, Compression (packet of 5)
17	CBA411028-1E	3					3		3					Screw, Button Head
18	4000129	4							4	4				Screw, Shoulder, Modified
19	E4584	2						2	2					Spring, Plunger
20	E4564K	3							3				*	Pin, Spirol Spring (packet of 10)
21	CCA623057-2A	1		1					1				*	Pin, Spirol Spring
22	E4728	1							1					Ball Detent
23	CBA521028-1E	1						1	1					Screw, Button Head
24	E3083	1						1						Spring, Compression
26	(See Figure 2)	2	2										*	Sideplate Bushing
27	SL100154	1							2					Nameplate, Enerpac
30	DM0341070	1									1			Handle, Angled
31	DM0309147	1									1			Thumbscrew
32	E2304	1									1			O-Ring
33	SWH6S	1												Handle, Straight (optional)

**Notes:**

- Enerpac recommends that all kit components be installed to assure optimum performance of the repaired product.
- Item 16: Packet quantity is provided only when item is ordered separately and not included in a kit.

**Note:** This view contains only ratchet, sideplate and guard parts.

- Refer to page 5 for parts kit information.
- See Figure 1 on pages 2 and 3 for the main parts list and a complete exploded view of all cassette parts.



**Note:** Refer to the wrench instruction sheet for:

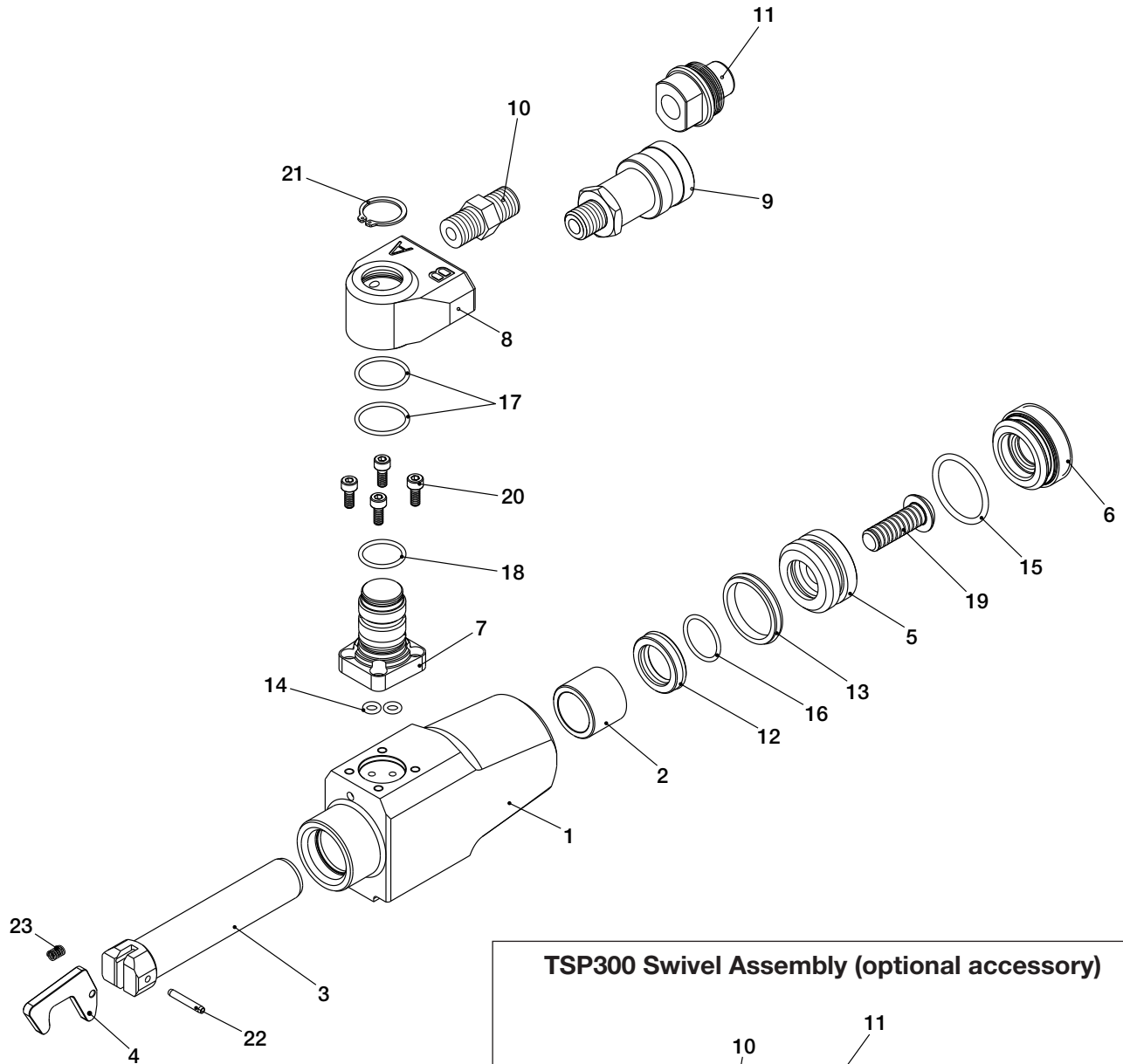
- Inspection, lubrication and maintenance instructions.
- Torque specifications for selected fasteners.

Figure 2, Ratchet Assembly, Sideplates and Guards, W4000X Series

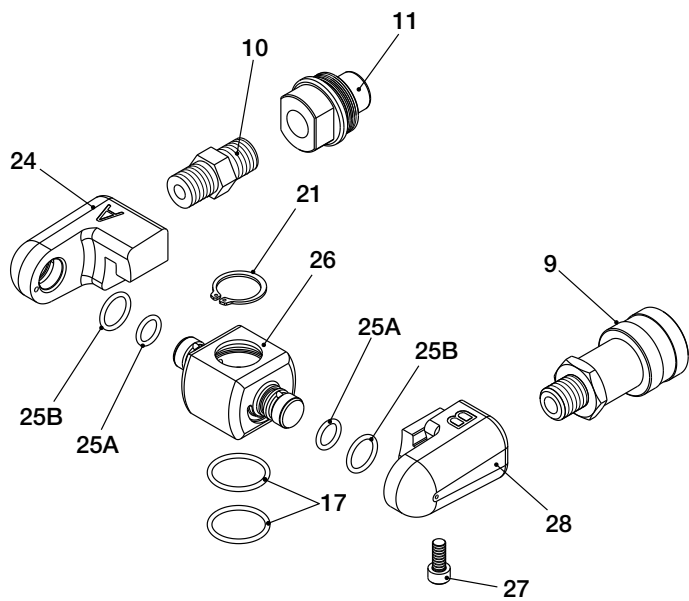
**Ratchet, Sideplate and Guard Kits for W4000X Series Cassettes - Refer to Figure 2**

Cassette Model	Part Numbers							
	Ratchet Only (Figure 2, item 5)	Drive Shoe Kit (Figure 2, item 6 and 16)	Ratchet Kit (Figure 2, items 5, 6 & 16)	Ratchet Lever and Pin Kit (Figure 2, items 4 & 21)	LH and RH Sideplates With Bushings (Figure 2, items 2, 3 & 26)	Sideplate Bushings (Figure 2, item 26)	Front Guard (Figure 2, item 8)	Head Guard Kit (Figure 2, Items 7, 8, & 17)
W4105X	4000121105	W4110DSK	W4105RK	W4000220110A	W4000175110A	4000125110	4000116A	W4000XHGK
W4106X	4000121106	W4110DSK	W4106RK	W4000220110A	W4000175110A	4000125110	4000116A	W4000XHGK
W4107X	4000121107	W4110DSK	W4107RK	W4000220110A	W4000175110A	4000125110	4000116A	W4000XHGK
W4108X	4000121108	W4110DSK	W4108RK	W4000220110A	W4000175110A	4000125110	4000116A	W4000XHGK
W4109X	4000121109	W4110DSK	W4109RK	W4000220110A	W4000175110A	4000125110	4000116A	W4000XHGK
W4110X	4000121110	W4110DSK	W4110RK	W4000220110A	W4000175110A	4000125110	4000116A	W4000XHGK
W4111X	4000121111	W4113DSK	W4111RK	W4000220113A	W4000175113A	4000125113	4000116A	W4000XHGK
W4112X	4000121112	W4113DSK	W4112RK	W4000220113A	W4000175113A	4000125113	4000116A	W4000XHGK
W4113X	4000121113	W4113DSK	W4113RK	W4000220113A	W4000175113A	4000125113	4000116A	W4000XHGK
W4114X	4000121114	W4200DSK	W4114RK	W4000220200A	W4000175200A	4000125200	4000116A	W4000XHGK
W4115X	4000121115	W4200DSK	W4115RK	W4000220200A	W4000175200A	4000125200	4000116A	W4000XHGK
W4200X	4000121200	W4200DSK	W4200RK	W4000220200A	W4000175200A	4000125200	4000116A	W4000XHGK
W4201X	4000121201	W4203DSK	W4201RK	W4000220203A	W4000175203A	4000125203	4000116A	W4000XHGK
W4202X	4000121202	W4203DSK	W4202RK	W4000220203A	W4000175203A	4000125203	4000116A	W4000XHGK
W4203X	4000121203	W4203DSK	W4203RK	W4000220203A	W4000175203A	4000125203	4000116A	W4000XHGK
W4204X	4000121204	W4206DSK	W4204RK	W4000220206A	W4000175206A	4000125206	4000116A	W4000XHGK
W4205X	4000121205	W4206DSK	W4205RK	W4000220206A	W4000175206A	4000125206	4000116A	W4000XHGK
W4206X	4000121206	W4206DSK	W4206RK	W4000220206A	W4000175206A	4000125206	4000116A	W4000XHGK
W4207X	4000121207	W4209DSK	W4207RK	W4000220209A	W4000175209A	4000125209	4000116A	W4000XHGK
W4208X	4000121208	W4209DSK	W4208RK	W4000220209A	W4000175209A	4000125209	4000116A	W4000XHGK
W4209X	4000121209	W4209DSK	W4209RK	W4000220209A	W4000175209A	4000125209	4000116A	W4000XHGK
W4210X	4000121210	W4212DSK	W4210RK	W4000220212A	W4000175212A	4000125212	4000116A	W4000XHGK
W4211X	4000121211	W4212DSK	W4211RK	W4000220212A	W4000175212A	4000125212	4000116A	W4000XHGK
W4212X	4000121212	W4212DSK	W4212RK	W4000220212A	W4000175212A	4000125212	4000116A	W4000XHGK
W4213X	4000121213	W4215DSK	W4213RK	W4000220215A	W4000175215A	4000125215	4000116A	W4000XHGK
W4214X	4000121214	W4215DSK	W4214RK	W4000220215A	W4000175215A	4000125215	4000116A	W4000XHGK
W4215X	4000121215	W4215DSK	W4215RK	W4000220215A	W4000175215A	4000125215	4000116A	W4000XHGK
W4300X	4000121300	W4302DSK	W4300RK	W4000220302A	W4000175302A	4000125302	4000116A	W4000XHGK
W4301X	4000121301	W4302DSK	W4301RK	W4000220302A	W4000175302A	4000125302	4000116A	W4000XHGK
W4302X	4000121302	W4302DSK	W4302RK	W4000220302A	W4000175302A	4000125302	4000116A	W4000XHGK
W4303X	4000121303	W4306DSK	W4303RK	W4000220306A	W4000175306A	4000125306	4000116B	W4000XHGKB
W4304X	4000121304	W4306DSK	W4304RK	W4000220306A	W4000175306A	4000125306	4000116B	W4000XHGKB
W4305X	4000121305	W4306DSK	W4305RK	W4000220306A	W4000175306A	4000125306	4000116B	W4000XHGKB
W4085MX	4000121085M	W4306DSK	W4085MRK	W4000220306A	W4000175306A	4000125306	4000116B	W4000XHGKB
W4306X	4000121306	W4306DSK	W4306RK	W4000220306A	W4000175306A	4000125306	4000116B	W4000XHGKB

**Note:** Enerpac recommends that all kit and subassembly components be installed to assure optimum performance of the repaired product.



### TSP300 Swivel Assembly (optional accessory)



#### Notes:

- Refer to page 7 for parts kit information.
- Drive units with model numbers ending in "PX" are factory equipped with the TSP300 Swivel Assembly.

Refer to the wrench instruction sheet for:

- Inspection, lubrication and maintenance instructions.
- Torque specifications for selected fasteners.

Figure 3, Drive Unit and Swivel Assemblies, W4000X Series

**Repair Parts List for Figure 3**

Item	Part Number	Quantity (used on drive unit)		Quantity (included in each kit)							(*) Item Available separately OR in kit	Description
		Model W4000X	Model W4000PX	Seal Kit, W4000X Series W4000XSK	Retract Link Kit W4000RLK	Drive Unit Rebuild Kit W4000DRK	Swivel Manifold Seal Kit TSP300MSK	Swivel Post and Manifold Kit SP300MKA (For Standard Swivel)	Swivel Manifold Kit TSP300 (For TSP300 Swivel)	Swivel Post and Manifold Kit TSP300MKA (For TSP300 Swivel)		
1	(Not Available)	1	1									Cylinder Body (housing)
2	4000106A	1	1			1						Cylinder Bushing
3	4000104	1	1			1						Piston Rod
4	4000105	1	1		1							Retract Link
5	4000103	1	1			1						Piston
6	4000102	1	1			1						Cylinder Gland
7	W4000126	1	1					1		1	*	Swivel Manifold Post (small)
8	SP300101	1	---					1			*	Swivel Manifold Block (non-tilt)
9	TR630	1	1					1	1	1		Coupling, 10,000 PSI Screw-On
10	FZ1608	1	1					1	1	1		Adaptor, Hex 10,000 PSI
11	TH630	1	1					1	1	1		Nipple, 10,000 PSI Screw-On
12	E2360	1	1	1				1				Seal, Rod
13	E2312	1	1	1								Seal, T-Piston w/Back Up Rings
14	E2304K	2	2	2			2	2		2	*	O-Ring (packet of 10)
15	E2311	1	1	1								O-Ring
16	E2313	1	1	1								O-Ring
17	E2240	2	2	2			2	2	2	2		O-Ring
18	E2238	1	1	1			1	1	1	1		O-Ring
19	CBA1025028-1E	1	1			1						Screw, Button Head
20	CCA415028-1A	4	4					4		4		Swivel Manifold Retaining Bolt
21	E4856	1	1	1			1	1	1	1		Retainer Ring, Circlip
22	CCA323057-2A	1	1		1							Pin, Spirol Spring
23	E3074K	1	1		1						*	Spring, Compression (packet of 5)
24	TSP300101	---	1						1	1		Swivel Arm, Pressure A
25A	E2235	---	2				2		2	2		O-Ring, Double Swivel (small)
25B	E2173	---	2				2		2	2		O-Ring, Double Swivel (large)
26	TSP300103	---	1						1	1		Manifold Block, Double Swivel
27	E4650	---	1				1		1	1		Capscrew, Swivel Arm
28	TSP300102	---	1						1	1		Swivel Arm, Return B

**Notes:** • Enerpac recommends that all kit components be installed to assure optimum performance of the repaired product.  
 • Items 23: Packet quantity is provided only when item is ordered separately and not included in a kit.

<b>Repair Parts Table 4 for Hydraulic Torque Wrench Case</b>			
<b>Item</b>	<b>Part Number</b>	<b>Qty.</b>	<b>Description</b>
1	M2050	1	Carrying Case, Drive Unit, W4000X
2	M2100	1	Carrying Case, Cassette, W4000X







NOTES:

A large rectangular box containing 20 horizontal lines, intended for writing notes.

