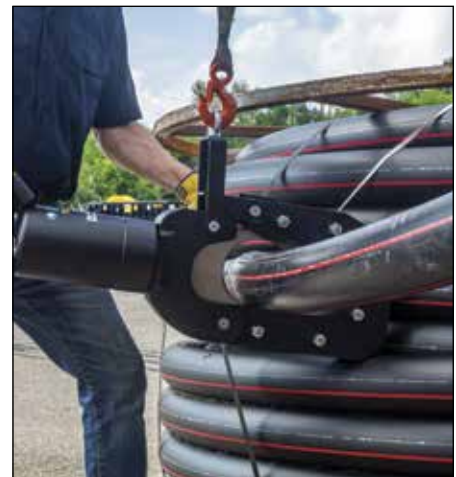


When you need to make cuts through heavy-duty bar, chain, cable and similar materials, look no further than Enerpac's broad range of cutters.

An extensive lineup of hydraulic, electric and manual cutters provides a quick, safe and cost-effective solution for technicians from construction, mining, manufacturing and many other industries.

Enerpac's cutters are built to handle industrial-grade materials on a daily basis. Like all Enerpac tools, each cutter is designed and built to last in tough working conditions for a safer, simpler and more productive workflow.



Cutter Type		Maximum Tool Capability*	Series		Power Source	Page
Bar Cutters		2.04" (Maximum Material Cutting Diameter)	EB		Hydraulic, Electric, Cordless	222 ▶
Decommissioning Cutters		6.69" (Maximum Blade Aperture)	EDC		Hydraulic	226 ▶
Flat Bar Cutters		2.75" x 0.59" (Maximum Material Cutting Height and Width)	EFB		Electric	227 ▶
Chain Cutters		1.25" (Maximum Link Cutting Diameter)	ECC		Electric	228 ▶
Wire and Cable Cutters		7.09" (Maximum Material Cutting Diameter)	EWC		Hydraulic, Electric	230 ▶
Cutter / Spreader Combination Tools		11.81" (Maximum Blade Aperture)	ECS		Electric	233 ▶
Hydraulic Cutterheads		4.00" (Maximum Material Cutting Diameter)	WHC WHR STC		Hydraulic	234 ▶
Self-Contained Hydraulic Cutters		3.38" (Maximum Material Cutting Diameter)	WMC		Manual	235 ▶
ZE-Series Pumps and Accessories		1.5 - 7.5 hp	EBH EWCH		Electric	236 ▶
ZC, ZE-Series Pumps and Accessories		1.4 - 7.5 hp	EDCH		Electric, Cordless	237 ▶

* Actual cutting capabilities may vary depending on material being cut.

▼ Shown left to right: EBC20B, EBH30, EBE22B



Your Fast, Safe and Simple Solution for Cutting Metal Bar



Internal Mechanics

EBH-Series: Cylinder is driven by an external Enerpac pump

EBE, EBC-Series: Cylinder is driven by a radial pump powered by an electric motor.



Typical Bar Cutting Applications

- Commercial and residential construction
- Concrete and masonry
- Metal fabrication
- Industrial manufacturing

Productivity

- A broad range of hydraulic and electric tools quickly and easily cut through heavy-duty bar
- Highly durable, long-lasting blades outlast angle grinder or saw blades

Safety

- Controlled cutting process enhances user safety compared with use of cut-off blades
- Minimal spark risk compared to torching, grinding and sawing methods
- Cutters produce minimal vibration, helping prevent HAVS (Hand Arm Vibration Syndrome)

▼ Enerpac's bar cutters are built to handle tough cutting applications.



EBH-Series Hydraulic Bar Cutters



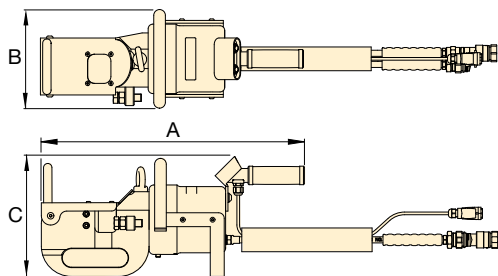
EBH-Series Hydraulic Bar Cutters

EBH-Series Hydraulic Bar Cutters are driven by a specialized external hydraulic pump for optimal power

and a higher duty cycle compared with other cutter types.

These cutters are ideal for use in production or manufacturing facilities with demanding, high-volume cutting applications.

- ① Highly durable blades maintain effectiveness throughout rigorous use
- ② Safety guard helps protect hands from injury
- ③ Heavy-duty cutting head provides a longer operational life
- ④ Lifting handle enables easier positioning and transport
- ⑤ Double-acting cylinder with advance and retract buttons improves control and reduces jamming
- ⑥ External hydraulic pump helps keep the tool cool, improving operational time (pump, hose, and pump coupler sold separately)



Drawings are for guidance purposes only, exact tool configurations vary by model.

Maximum Material Diameter* (in)	Model Number	Maximum Material Tensile Strength* (psi)	Maximum Material Hardness* (HRc)	Maximum Cutting Force (tons)	Maximum Hydraulic Operating Pressure (psi)	Dimensions (in)			Weight (lbs)	Replacement Blade Kit Number
						A	B	C		
1.18	EBH30	87,000	43	50	10,000	18.9	7.2	8.7	46	EBH3001K
1.38	EBH35	89,900	43	68	10,000	22.3	8.4	10.2	106	EBH3501K
2.04	EBH52	72,500	43	121	10,000	30.1	10.39	12.2	299	EBH5201K

* Maximum material properties indicated refer to the material to be cut.

EBH Series



Maximum Material Hardness:

43 HRc

Maximum Material Diameter:

1.18 - 2.04 inches

Maximum Operating Pressure:

10,000 psi



Pumps and Accessories

The EBH-Series Cutters are designed to work with specialized ZE4 and ZE6-Series pumps.

Pump models vary by voltage type. The pump and hose are sold separately. Both are required for the system to function. For complete details on required pumps and accessories:

Page: 236



Optional gauges and accessories may be used to monitor pressure in the hydraulic circuit. Enerpac recommends **Gauge Kit GKHC** for use with Enerpac hydraulic cutters.



EBE-Series Electric Bar Cutters

The versatile EBE-Series Electric Bar Cutters

quickly cut through heavy-duty bar up to one inch (26 mm) in diameter without the need for an external hydraulic

pump. Their compact size and low weight enable them to be easily transported and used wherever an external power source is available.

EBE Series



Maximum Material Hardness:

43 HRC

Maximum Material Diameter:

0.87 - 1.02 inches

Voltage*:

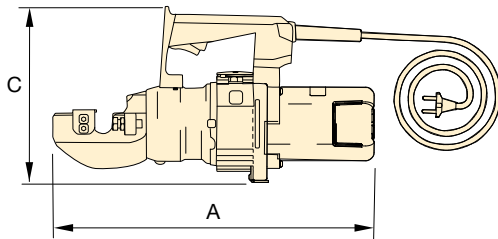
120 and 230 Volts

* ETL certification applies to 120V tools only

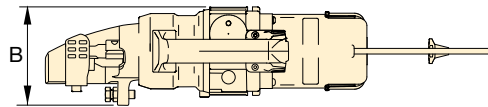
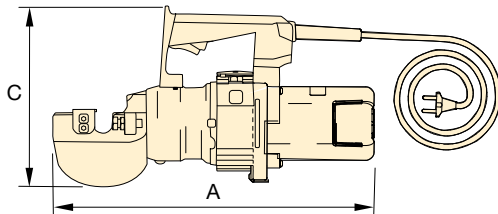
- ① Highly durable blades maintain effectiveness throughout rigorous use
- ② Safety guard helps protect hands from injury
- ③ Heavy-duty cutting head provides a longer operational life
- ④ Lifting handle enables easy positioning and transport
- ⑤ Piston-release mechanism allows blade to be reset, reducing jamming and providing a controlled cutting process



EBE22



EBE26



Voltage: (Model No. ending with suffix)

B = 120V, 60 Hz (with American-style NEMA 1-15 plug)

E = 230V, 50 Hz (with European-style SCHUKO plug)

Maximum Material Diameter* (in)	Power Specifications				Model Number	Maximum Material Tensile Strength* (psi)	Maximum Material Hardness* (HRC)	Maximum Cutting Force (tons)	Dimensions (in)			Cord Length (ft)	Wt. (lbs)	Replacement Blade Kit Number
	Volts	Hz	Amps	Watts					A	B	C			
0.87	120	60	11	1300	EBE22B	94,275	43	25.1	18.1	5.5	9.8	6	29	EBE2201K
0.87	230	50	6.8	1400	EBE22E	94,275	43	25.1	18.1	5.5	9.8	10	29	EBE2201K
1.02	120	60	11	1300	EBE26B	94,275	43	37	18.4	5.5	10.2	6	35	EBE2601K
1.02	230	50	6.8	1400	EBE26E	94,275	43	37	18.4	5.5	10.2	10	35	EBE2601K

* Maximum material properties indicated refer to the material to be cut.

EBC-Series Cordless Bar Cutters



EBC-Series Cordless Bar Cutters

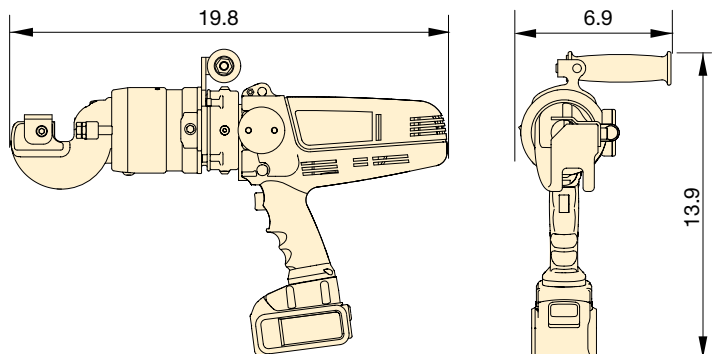
The highly portable EBC-Series Cordless Bar Cutters quickly and easily slice through up to number 6 rebar, or similar metal bar up to 0.79" (20mm) in diameter.

A powerful 20V Lithium-ion battery provides mobility and long lasting performance, making these tools the perfect go-to solution for the jobsite, including remote locations, or anywhere an external power source is not available.

- ① Highly durable blades maintain effectiveness throughout rigorous use
- ② Safety guard helps protect hands from injury
- ③ Highly durable cutting head can be rotated 360 degrees to aid in the positioning of the blades on the application.
- ④ Lifting handle enables easy positioning and transport
- ⑤ Piston-release mechanism allows blade to be reset, providing a controlled cutting process and reducing jamming
- ⑥ Powerful 20V battery provides high performance and complete mobility



Dimensions shown in inches.



EBC Series



Maximum Material Hardness:

43 HRC

Maximum Material Diameter:

0.79 inches

Battery:

12 and 18 Volts

* ETL certification applies to 120V tools only



Batteries and Chargers

EBC-Series Cutters come standard with two DeWALT® TM 18V-5Ah Lithium-ion batteries and one DeWALT® TM 12V and 18V charger. Additional batteries and chargers sold separately.

EBC-Series Cutters work with DeWALT® 18V MAX* batteries. DeWALT® is a registered trademark of DEWALT Industrial Tool Co., which has not manufactured, licensed, approved, or endorsed this cutter product.

EBC-Series Replacement Parts

To order replacement parts, use one of the model numbers shown below.

For Cutter Model No.	DeWALT® Lithium-ion Battery	Li-ion Battery Charger 12V and 20V
EBC20B	B205	BC1220B
EBC20E	B185	BC1220E

Charger Voltage: (Model No. ending with suffix)

- B** = 120V, 60 Hz (with American-style NEMA 1-15 plug)
- E** = 230V, 50 Hz (with European-style SCHUKO plug)

Maximum Material Diameter*	Power Specifications			Model Number**	Maximum Material Tensile Strength*	Maximum Material Hardness*	Maximum Cutting Force	Weight (without battery)	Replacement Blade Kit Number
	Battery Input Voltage (volts)	Amps	Watts						
0.79 (in)	18-20	46	830	EBC20B	94,275 (psi)	43 (HRC)	21.2 (tons)	19.2 (lbs)	EBC2001K
0.79	18-20	46	830	EBC20E	94,275	43	21.2	19.2	EBC2001K

* Maximum material properties indicated refer to the material to be cut.

** To order an EBC-Series Cutter without batteries or a charger, remove the "B" or "E" from the Model Number, e.g. "EBC20"

▼ Shown: EDCH130



EDCH Series



Maximum Material Hardness:

41 HRc

Maximum Blade Aperture:

5.12 – 6.69 inches

Maximum Operating Pressure:

10,000 psi



Pumps and Accessories

The EDCH-Series Cutters are designed to work with specialized ZC3, ZE4 and ZE6-Series pumps.

The pump and hose are sold separately. Both are required for the system to function. See page 237 for complete details on required pumps and accessories.

Page: 237

Productivity

- **Powerful jaws and an exceptionally large blade aperture enable use on a large variety of applications including metal tubes, communication cables, profiles and similar materials***
- **Multiple pump options provide power, speed and mobility for all your applications**

Safety

- **Minimal spark risk compared with torching, grinding and sawing methods**
- **Cutters produce minimal vibration, helping prevent HAVS (Hand Arm Vibration Syndrome)**

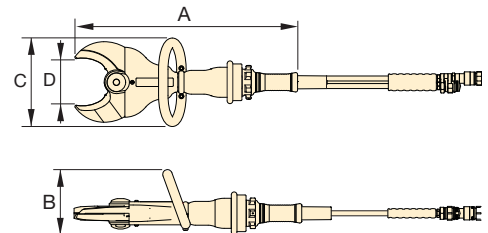
* NOTE: Do not use to cut wire rope. Use instead the wire and rope cutter, page 232.



Optional gauges and accessories may be used to monitor pressure in the hydraulic circuit. Enerpac recommends **Gauge Kit GKHC** for use with Enerpac hydraulic cutters.



- ① Durable blades maintain efficiency throughout rigorous use
- ② Double-acting steel piston and cylinder improve robustness and control
- ③ Control knob immediately stops the tool when released, improving operator safety
- ④ External hydraulic pump helps keep tool cooler and working longer (pump, hose, and pump coupler sold separately)



Maximum Blade Aperture (in)	Model Number	Maximum Material Tensile Strength* (psi)	Maximum Material Hardness* (HRc)	Maximum Hydraulic Operating Pressure (psi)	Dimensions (in)				Weight (lbs)	Replacement Blade Kit Number
					A	B	C	D		
5.12	EDCH130	94,275	41	10,000	23.2	6.7	9.2	5.1	25.4	EDCH13001K
5.70	EDCH145	94,275	41	10,000	27.0	8.1	9.7	5.7	37.3	EDCH14501K
6.69	EDCH170	94,275	41	10,000	28.9	6.8	9.8	6.7	53.4	EDCH17001K

* Maximum material properties indicated refer to the material to be cut.

Electric Flat Bar Cutters

▼ Shown: EFBE5017B



EFBE
Series



Maximum Material Hardness:

33 HRC

Maximum Material Dimensions:

1.96 x 0.67 – 2.75 x 0.59 in.

Voltage*:

120 and 230 volts

* ETL certification applies to 120V tools only

Productivity

- Cut through high-tensile flat bar in seconds
- Highly durable, long-lasting blades offer increased longevity and less down time

Safety

- Controlled cutting process enhances operator safety
- Minimal spark risk compared with torching, grinding and sawing methods



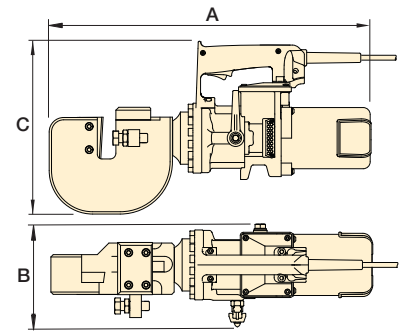
Replacement Blade Kits

To order replacement parts use one of the model numbers shown below.

For Cutter Model Number	Order Blade Kit Number
EFBE5017B	EFBE501701K
EFBE5017E	EFBE501701K
EFBE7015B	EFBE701501K
EFBE7015E	EFBE701501K



- ① Highly durable blades cut through flat bar, maintaining effectiveness throughout rigorous use
- ② Heavy-duty cutting head provides a longer operational life
- ③ Robust handle enables easy positioning and transport
- ④ Piston-release mechanism allows blade to be retracted, providing a controlled cutting process and reducing jamming



Voltage: (Model No. ending with suffix)

B = 120V, 60 Hz (with American-style NEMA 1-15 plug)

E = 230V, 50 Hz (with European-style SCHUKO plug)

Max. Material Dimensions* (in)		Power Specifications				Model Number	Maximum Material Tensile Strength* (psi)	Maximum Material Hardness* (HRC)	Maximum Cutting Force (tons)	Cord Length (ft)	Dimensions (in)			Wt. (lbs)
Height	Width	Volts	Hz	Amps	Watts						A	B	C	
1.96	0.67	120	60	11.0	1300	EFBE5017B	65,267	33	29.8	6	19.0	6.9	10.7	46
1.96	0.67	230	50	6.8	1400	EFBE5017E	65,267	33	29.8	10	19.0	6.9	10.7	46
2.75	0.59	120	60	11.0	1300	EFBE7015B	65,267	33	29.8	6	21.9	6.9	11.7	66
2.75	0.59	230	50	6.8	1400	EFBE7015E	65,267	33	29.8	10	21.9	6.9	11.7	66

* Maximum material properties indicated refer to the material to be cut.

▼ Shown: ECCE32B-Series Chain Cutter



Your Simple Solution for Cutting High-Strength Industrial Chain



Internal Mechanics

ECCE-Series: Cylinder is driven by a radial pump powered by an electric motor.



Typical Chain Cutting Applications

- Chain manufacturing
- Mining
- Rigging / material handling for transport
- Oil and gas
- Marine

Productivity

- Quickly cut through heavy-duty chain links with minimal effort
- Highly durable blades outlast angle grinder or saw blades

Safety

- Controlled cutting process behind a protective shield enhances safety
- Precisely cut only selected link, helping prevent damage to adjacent links and weakening of chain
- Minimal spark risk compared to torching, grinding and sawing methods
- Cutters produce minimal vibration, helping prevent HAVS (Hand Arm Vibration Syndrome)



◀ Cut through chain links with ease using Enerpac's chain cutters.

ECCE-Series Electric Chain Cutters

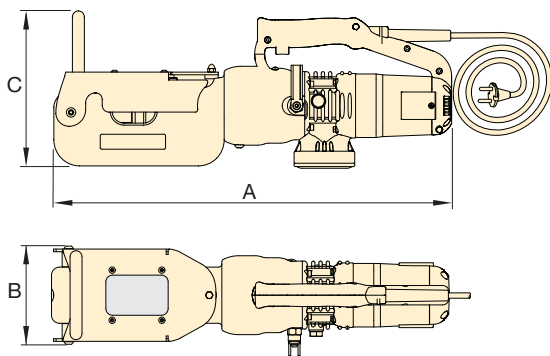
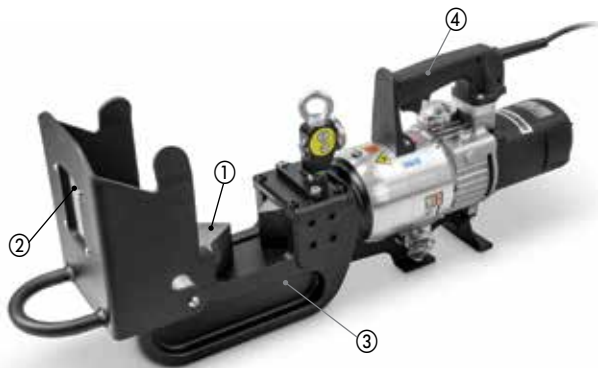


ECCE-Series Electric Chain Cutters

ECCE-Series Electric Chain Cutters are ideal for applications where safety is paramount. Unlike other cutting methods, Enerpac's chain cutters precisely cut selected chain links behind an enclosed, transparent safety guard.

This not only protects the operator's hands, it also helps prevent damage to adjacent links, which often results from using alternative cutting methods like torches or cut-off tools.

- ① Highly durable blades cut through heavy-duty chain, maintaining effectiveness throughout rigorous use
- ② Transparent safety guard protects hands and allows continuous monitoring for better management of cutting process
- ③ Heavy-duty cutting head provides a longer operational life
- ④ Lifting handle and eyebolt enable easy positioning and transport



Voltage: (Model No. ending with suffix)

- B** = 120V, 60 Hz (with American-style NEMA 1-15 plug)
- E** = 230V, 50 Hz (with European-style SCHUKO plug)

ECCE Series



Maximum Material Hardness:

46 HRc

Maximum Material Diameter:

1.25 inches

Maximum Grade Chain:

100

Voltage*:

120 and 230 volts

* ETL certification applies to 120V tools only

Maximum Material Diameter ¹⁾²⁾ (in)			Power Specifications				Model Number	Maximum Material Hardness ¹⁾ (HRc)	Maximum Cutting Force (tons)	Dimensions (in)			Cord Length (ft)	Wt. (lbs)	Replacement Blade Kit Number
Grade 70	Grade 80	Grade 100	Volts	Hz	Amps	Watts				A	B	C			
1.00	1.00	0.5	120	60	10.0	1200	ECCE26B	46	35.1	23.6	6.0	9.3	6	55	ECCE2601K
1.00	1.00	0.5	230	50	5.3	1100	ECCE26E	46	35.1	23.6	6.0	9.3	10	55	ECCE2601K
1.25	1.00	0.75	120	60	11.0	1300	ECCE32B	46	52.9	27.5	7.5	12.6	6	106	ECCE3201K
1.25	1.00	0.75	230	50	6.8	1400	ECCE32E	46	52.9	27.5	7.5	12.6	10	106	ECCE3201K

¹⁾ Cutting larger chains or those of a grade higher than those recommended will result in increased wear, and may damage the tool.

²⁾ All links over 1/2" must be cut in two passes, with each pass cutting one side of the link.

▼ Shown left to right: EWCH90 and EWCE55B



The Quick and Clean Way to Cut Cable and Wire Rope



Internal Mechanics

EWCH-Series: Cylinder is driven by an external Enerpac pump.

EWCE-Series: Cylinder is driven by a radial pump powered by an electric motor



Typical Wire and Cable Cutting Applications

- Telecommunications
- Electrical installation and maintenance
- Power generation and transmission
- Shipbuilding

Productivity

- A broad range of hydraulic and electric tools quickly and easily cut through cable and wire rope

Safety

- Controlled cutting process enhances operator safety
- Minimal spark risk compared with torching, grinding and sawing methods
- Cutters produce minimal vibration, helping prevent HAVS (Hand Arm Vibration Syndrome)

▼ Guillotine-style blades make quick work of electrical cables and wire rope.



EWCH-Series Hydraulic Wire and Cable Cutters



EWCH-Series Hydraulic Wire and Cable Cutters

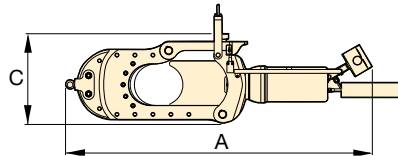
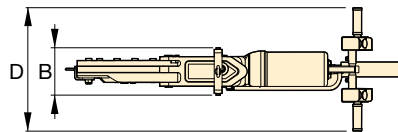
EWCH-Series Hydraulic Wire and Cable Cutters are ideal for use in production facilities where demanding, high-volume cutting applications are often encountered.

Each tool is driven by a specialized external hydraulic pump, which provides greater cutting force and allows for higher duty cycles compared with other cutter types.

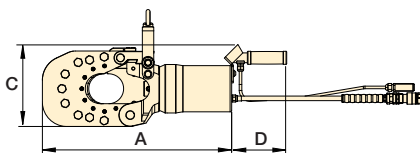
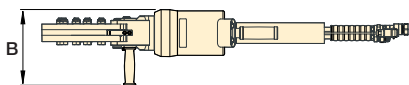
- ① Guillotine-style blades maintain effectiveness throughout rigorous use
- ② Cutting head can be opened and closed to help position material to be cut
- ③ Eyebolt facilitates easy lifting
- ④ Double-acting cylinder with advance and retract buttons improves control and reduces jamming
- ⑤ External hydraulic pump helps keep tool cooler and working longer (pump, hose, and pump coupler sold separately)



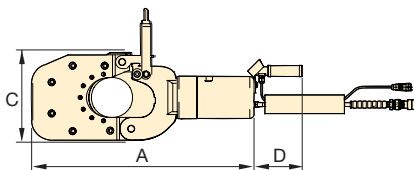
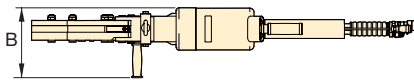
EWCH180



EWCH90



EWCH140



EWCH Series



Maximum Material Hardness (Cable):

43 HRc

Maximum Material Diameter:

3.54 - 7.09 inches

Maximum Operating Pressure:

10,000 psi



Pumps and Accessories

The EWCH-Series Cutters are designed to work with specialized ZE6-Series pumps.

The pump and hose are sold separately. Both are required for the system to function. See page 236 for complete details on required pumps and accessories.

Page: 236



Optional gauges and accessories may be used to monitor pressure in the hydraulic circuit. Enerpac recommends **Gauge Kit GKHC** for use with Enerpac hydraulic cutters.

Maximum Material Diameter* (in)	Model Number	Maximum Material Tensile Strength* (psi)	Maximum Material Hardness* (HRc)	Maximum Cutting Force (tons)	Maximum Hydraulic Operating Pressure (psi)	Dimensions (in)				Wt. (lbs)	Replacement Blade Kit Number
						A	B	C	D		
3.54	EWCH90	94,275	43	61.8	10,000	22.9	11.1	9.9	6.7	119	EWCH9001K
5.51	EWCH140	94,275	43	61.8	10,000	30.8	9.7	12.2	6.7	198	EWCH14001K
7.09	EWCH180	94,275	43	89.0	10,000	53.7	8.3	15.8	21.7	330	EWCH18001K

* Maximum material properties indicated refer to the material to be cut.



EWCE-Series Electric Wire and Cable Cutters

Their lighter weight allows for easier carrying and positioning. Available in 120V and 230V versions.

EWCE-Series Electric Wire and Cable Cutters combine the efficiency and safety of their hydraulic counterparts with the greater portability of electric tools.

EWCE Series



Maximum Material Hardness:

48 HRc

Maximum Material Diameter:

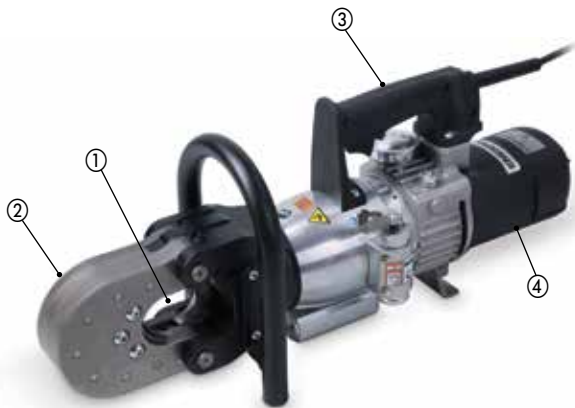
1.65 - 2.17 inches

Voltage*:

120 and 230 Volts

* ETL certification applies to 120V tools only

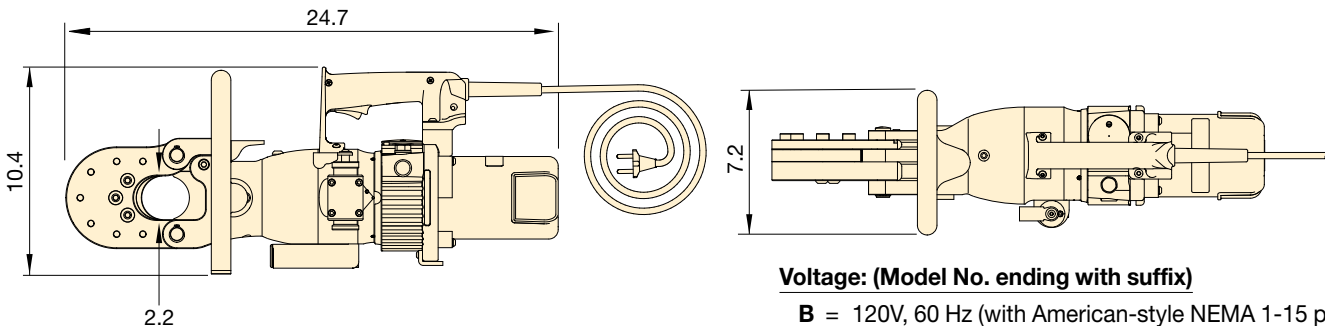
- ① Durable, guillotine-style blades maintain effectiveness throughout rigorous use
- ② Cutting head opens wide for easy positioning of wire or cable
- ③ Robust handles enable easy positioning and transport
- ④ Double-acting cylinder with directional control improves handling and reduces jamming



▼ Cut through wire and cables with ease.



Dimensions shown in inches.



Voltage: (Model No. ending with suffix)

B = 120V, 60 Hz (with American-style NEMA 1-15 plug)

E = 230V, 50 Hz (with European-style SCHUKO plug)

Max. Material Diameter* (in)		Power Specifications				Model No.	Maximum Material Hardness* (HRc)	Maximum Cutting Force (tons)	Cord Length (ft)	Weight (lbs)	Replacement Blade Kit Number
Cable	Rope	Volts	Hz	Amps	Watts						
2.17	1.65	120	60	11.0	1300	EWCE55B	48	38.2	6	55	EWCE5501K
2.17	1.65	230	50	6.8	1400	EWCE55E	48	38.2	10	55	EWCE5501K

* Maximum material properties indicated refer to the material to be cut.

Cutter / Spreader Combination Tools

▼ Shown: **ECSE300B**



ECSE
Series



Maximum Material Hardness:

41 HRc

Maximum Blade Aperture:

11.81 inches

Voltage*:

120 and 230 Volts

* ETL certification applies to 120V tools only



Internal Mechanics

ECSE-Series: Cylinder is driven by a radial pump powered by an electric motor.



Typical Cutter / Spreader Applications

- Industrial manufacturing
- Recycling
- Demolition

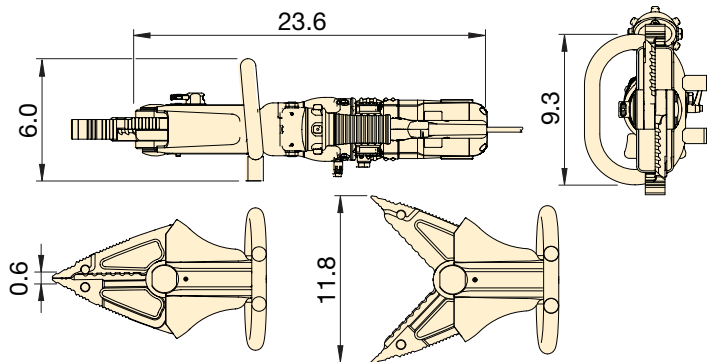
Productivity

- Blades easily cut through metal profiles, pipes, rods and other obstructions
- Wedges on tips of blades provide powerful spreading force

Safety

- Controlled cutting process creates minimal spark risk compared with torching, grinding and sawing methods

Dimensions shown in inches.



- ① Highly durable blades grip and cut through metal obstructions with ease
- ② Cutting head can be rotated 180 degrees in each direction for easier access to the application
- ③ Robust handle enables easy positioning and transport
- ④ Double-acting cylinder improves control and reduces jamming
- ⑤ Wedges provide powerful spreading force

Voltage: (Model No. ending with suffix)

B = 120V, 60 Hz (with American-style NEMA 1-15 plug)

E = 230V, 50 Hz (with European-style SCHUKO plug)

Maximum Blade Aperture (in)	Power Specifications				Model Number	Maximum Material Tensile Strength* (psi)	Maximum Material Hardness* (HRc)	Maximum Spreading Force** (tons)	Cord Length (ft)	Weight (lbs)	Replacement Jaws Kit Number
	Volts	Hz	Amps	Watts							
11.81	120	60	10.0	1200	ECSE300B	94,275	41	5.17	6	33	ECSE30001K
11.81	230	50	5.3	1100	ECSE300E	94,275	41	5.17	10	33	ECSE30001K

* Maximum material properties indicated refer to the material to be cut.

** 0.98 inches from jaw tips with jaws closed.

▼ Shown left to right: WHC3380, WHC750

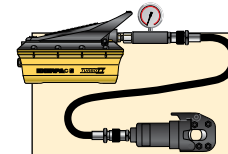


WHC, WHR, STC Series

Capacity:
3 - 20 tons

Cutting Capacity:
0.50 - 4 inches

Maximum Operating Pressure:
10,000 psi



Cutterhead Sets

Hydraulic Cutterheads are available as sets (pump, tool and hose).

Cutter Model Number	Pump Model Number	Set Model Number †
WHC750	P392	STC750H
WHC750	P392FP	STC750FP
WHC750	PATG1102N	STC750A
WHC1250	P392	STC1250H
WHC1250	P392FP	STC1250FP
WHC1250	PATG1102N	STC1250A

†: H = Hand Pump, A = Air Operated Pump
FP = Foot Pump

- Single acting, spring-return on all models, except WHR1250
- Guillotine action for efficient operation
- Lifting handles on larger models
- Carrying bag included for easy carrying and tool protection
- Ideal for use with most Enerpac pumps featuring 3-way valve or dump valve and 10,000 psi pressure rating (except WHR1250, which requires 4-way valve)
- CR400 coupler and dust cap included on all models

▼ Steel rope is easily cut with the smooth guillotine action of an Enerpac cutterhead.



▼ Selection Chart Maximum Cutting Capacities (diameter in inches)

Cutter Head Operation	Model Number	Capacity (ton)	Oil Cap. (in ³)	Steel Wire Rope, Hemp-core or IWRC 6x7 6x12 6x19	Round Bar				Wire Strand			Cable		Length (in)	Wt. (lbs)	Replacement Blade Kit Numbers	
					Copper Wire or Bar	Aluminum Wire or Bar	Soft Steel Bolts	Reinforcing Bar	Bare Copper Wire Strands	Bare Aluminum Wire Strands	ACSR	Guy Steel Wire Strands	Telephone Cable CPP				Underground Cable (Power)
Single-acting	WHC750*	4	1.2	0.63	0.75	0.75	0.75	0.50***	0.75	0.75	0.75	0.63	☆	☆	5.00	7	WCB750
	WHC1250*	20	8.2	1.25	1.25	1.25	1.25	1.00	1.25	1.25	1.25	0.88	☆	☆	11.00	25	WCB1250
	WHC2000	13	7.3	1.00	1.25	1.25	0.88	☆	2.00	2.00	2.00	0.75	☆	☆	15.00	23	WCB2000
	WHC3380	3	4.0	☆	☆	☆	☆	☆	3.00	3.00	☆	☆	3.38	3.38	19.00	20	WCB3380
	WHC4000	8	8.4	☆	☆	☆	☆	☆	3.50	3.50	☆	☆	4.00	4.00	24.00	32	WCB4000
D/A**	WHR1250	20	7.5	1.25	1.25	1.25	1.25	1.00	1.25	1.25	1.25	0.88	☆	☆	16.50	26	WCB1250

* Available in sets. ** D/A = Double-acting *** Low Alloy

☆ Will not cut designated material

Self-Contained Hydraulic Cutters

▼ Shown left to right: **WMC2000, WMC750**



WMC Series

Capacity:

3 - 20 tons

Maximum Material Diameter:

0.38 - 3.38 inches



Replacement Blades

To order 60-62HRC hardened replacement blades use one of the model numbers shown below.

For Cutter Model Number	Order Blade Model Number
WMC580	WCB750
WMC750	WCB750
WMC1000	WCB1000
WMC1250	WCB1250
WMC1580	WCB1580
WMC2000	WCB2000
WMC 3380	WCB3380

- Rotating heads for operator convenience
- Guillotine action (except WMC1000) for efficient operation
- Carrying bag included for easy carrying and tool protection
- Velcro® straps to secure handles on larger models for easy transportation
- Spring-return on all models
- Lightweight, self-contained tool, can be used anywhere



Caution!

A "☆" in the charts on these pages means that this hydraulic cutter is not designed to cut this size or type of material. Any attempt to do so may result in personal injury and damage to the unit and will void the warranty.

▼ Selection Chart Maximum Cutting Capacities (diameter in inches)

Model Number	Capacity (ton)	Steel Wire Rope, Hemp-core or IWRC 6x7 6x12 6x19	Round Bar				Wire Strand					Cable		Length (in)	Weight (lbs)
			Copper Wire or Bar	Aluminum Wire or Bar	Soft Steel Bolts	Reinforcing Bar	Bare Copper Wire Strands	Bare Aluminum Wire Strands	ACSR Wire Strands	Guy Steel Wire Strands	Guy Steel Wire Strands	Telephone Cable CPP	Underground Cable (Power)		
WMC580	4	0.63	0.63	0.63	0.63	0.38	0.63	0.63	0.63	0.56	0.56	☆	☆	15.00	8
WMC750	4	0.75	0.75	0.75	0.69	0.50***	0.75	0.75	0.75	0.56	0.56	☆	☆	15.00	8
WMC1000*	20	☆	0.75	0.75	0.75	0.75	☆	☆	☆	☆	☆	☆	☆	26.75	25
WMC1250	20	1.25	1.25	1.25	1.25	0.88	1.25	1.25	1.25	0.88	0.88	☆	☆	26.75	23
WMC1580	6	0.75	0.75	0.75	0.75	☆	1.50	1.50	1.50	0.63	0.63	☆	☆	22.00	15
WMC2000	13	1.00	1.25	1.25	0.88	☆	2.00	2.00	2.00	0.75	0.75	☆	☆	24.75	24
WMC3380	3	☆	☆	☆	☆	☆	3.00	3.00	☆	☆	☆	3.38	3.38	26.00	22

* Cuts .50" alloy chain grade 70 (type G7 transport or tie-down) or grade 80 (for overhead lifting applications)

☆ Will not cut designated material

*** Low Alloy



EBH-Series Bar Cutters and EWCH-Series Wire and Cable Cutters are powered by an external pump with an electric valve.

A twin hydraulic hose and electric cable connect the tools to the pump, allowing the user to operate them directly from a control panel located on the cutters.

ZE Series



Reservoir Capacity:

1.2 - 2.6 gallon

Motor Size:

1.5 - 7.5 hp

Maximum Operating Pressure:

10,000 psi

▼ Pumps used with EBH Bar Cutters and EWCH Wire & Cable Cutters



ZE4-Series Pump

Specialized **ZE4-Series** pumps provide a balance of speed and versatility, and are available in 115 and 230 volts. Recommended for use with **EBH30** and **EBH35** cutters when portability, or the convenience of using standard voltage is required.



ZE6-Series Pump

Specialized **ZE6-Series** three-phase pumps offer a high-flow rate that provides fast performance for demanding applications. Recommended for all **EWCH** and **EBH** bar cutting applications where speed is critical, or where higher flow rates are required by the application.



Gauges

Optional gauges and accessories may be used to monitor pressure in the hydraulic circuit. Enerpac recommends **Gauge Kit GKHC** for use with Enerpac hydraulic cutters.



Hoses

EBH- and EWCH-Series Cutters require a twin hose with an electric cable. The hose comes equipped with the appropriate couplers.

Required hoses sold separately.

Description	Model No.
20 ft. long, twin hose with sheath and electric cable	CH720EC

Voltage: (Model No. ending with suffix)

B = 115V, 50-60 Hz (with NEMA 5-15 plug)

E = 208-240V, 50-60 Hz (with commonly used European (SCHUKO) plug)

I = 208-240V, 50-60 Hz (with NEMA 6-15 plug)

Pump Series	Pump Model Number ^{1) 2)}	Motor Electrical Specification	Motor Size (hp)	Reservoir Capacity (gal)	Height (in)	Length (in)	Width (in)	Wt. (lbs)	Recommended Cutter Model Number (sold separately)
ZE4	ZE4404XB	115 V-1 ph 50-60 Hz	1.5	1.2	20.2	20.5	11.0	100	EBH30 EBH35
	ZE4404XE	208-240V-1 ph 50-60 Hz							
	ZE4404XI	208-240V-1 ph 50-60 Hz							
ZE6	ZE6410XG-S	208-240 V-3 ph	7.5	2.6	15.1	22	15.1	170	All EWCH- and EBH-Series Cutters
	ZE6410XJ-S	460-480 V-3 ph							
	ZE6410XK-S	440 V-3 ph							
	ZE6410XW-S	380-415 V-3 ph							

¹⁾ Indicated pumps come equipped with appropriate configurations to work with indicated cutters.

²⁾ ZE6 pumps are available with roll cages. To add a roll cage, add an "R" prior to the "S" in the nomenclature, e.g. ZE6410XG-RS.

Pumps and Accessories for EDCH Cutters



EDCH-Series Decommissioning Cutters are designed to work in a wide variety of environments, from factories to demolition projects.

Enerpac offers multiple pump options to provide power, speed and mobility for all your applications.

▼ Pumps used with EDCH Decommissioning Cutters



ZC3-Series Pumps

Specialized ZC3-Series Cordless Pumps offer the portability of a cordless tool without the added weight of an integrated motor, combining freedom of movement with ease of use. Recommended for use with **EDCH130** cutters.



ZE4-Series Pumps

Specialized ZE4-Series Pumps provide a balance of speed and versatility. Recommended for use with all **EDCH** Cutters when the convenience of using standard voltage is required.



ZE6-Series Pump

Specialized ZE6-Series pumps offer a high-flow rate that provides fast performance. Recommended for use with all **EDCH** Cutters when 3-phase power is available, and speed is critical.

Voltage: (Model No. ending with suffix)

B = 115V, 50-60 Hz (with NEMA 5-15 plug)

E = 208-240V, 50-60 Hz (with commonly used European (SCHUKO) plug)

I = 208-240V, 50-60 Hz (with NEMA 6-15 plug)

Pump Series	Pump Model Number ^{1) 2)}	Motor Electrical Specification	Motor Size (hp)	Reservoir Capacity (gal)	Height (in)	Length (in)	Width (in)	Wt. (lbs)	Recommended Cutter Model Number (sold separately)
ZC3	ZC3204XB	Cordless (115 V Charger)	1.4	1.2	25.7	18.6	14.3	60	EDCH130
	ZC3204XE	Cordless (230 V Charger)							
ZE4	ZE4204XB	115 V-1 ph 50-60 Hz	1.5	1.2	20.2	20.5	11.0	100	EDCH130 EDCH145 EDCH170
	ZE4204XE	208-240V-1 ph 50-60 Hz							
	ZE4204XI	208-240V-1 ph 50-60 Hz							
ZE6	ZE6210XG-S	208-240 V-3 ph	7.5	2.6	15.1	22	15.1	170	
	ZE6210XJ-S	460-480 V-3 ph							
	ZE6210XK-S	440 V-3 ph							
	ZE6210XW-S	380-415 V-3 ph							

¹⁾ Indicated pumps come equipped with appropriate configurations to work with indicated cutters.

²⁾ ZE6 pumps are available with roll cages. To add a roll cage, add an "R" prior to the "S" in the nomenclature, e.g. ZE6210XG-RS.

**ZE,
ZC
Series**



Reservoir Capacity:

1.2 - 2.6 gallon

Motor Size:

1.4 - 1.5 - 7.5 hp

Maximum Operating Pressure:

10,000 psi



Gauges

Optional gauges and accessories may be used to monitor pressure in the hydraulic circuit. Enerpac recommends **Gauge Kit GKHC** for use with Enerpac hydraulic cutters.



Hoses

EDCH-Series Cutters require a twin hose for operation. The hose comes equipped with the appropriate couplers.

Required hoses sold separately.

Description	Model No.
20 ft. long, twin hose only	CH720MC