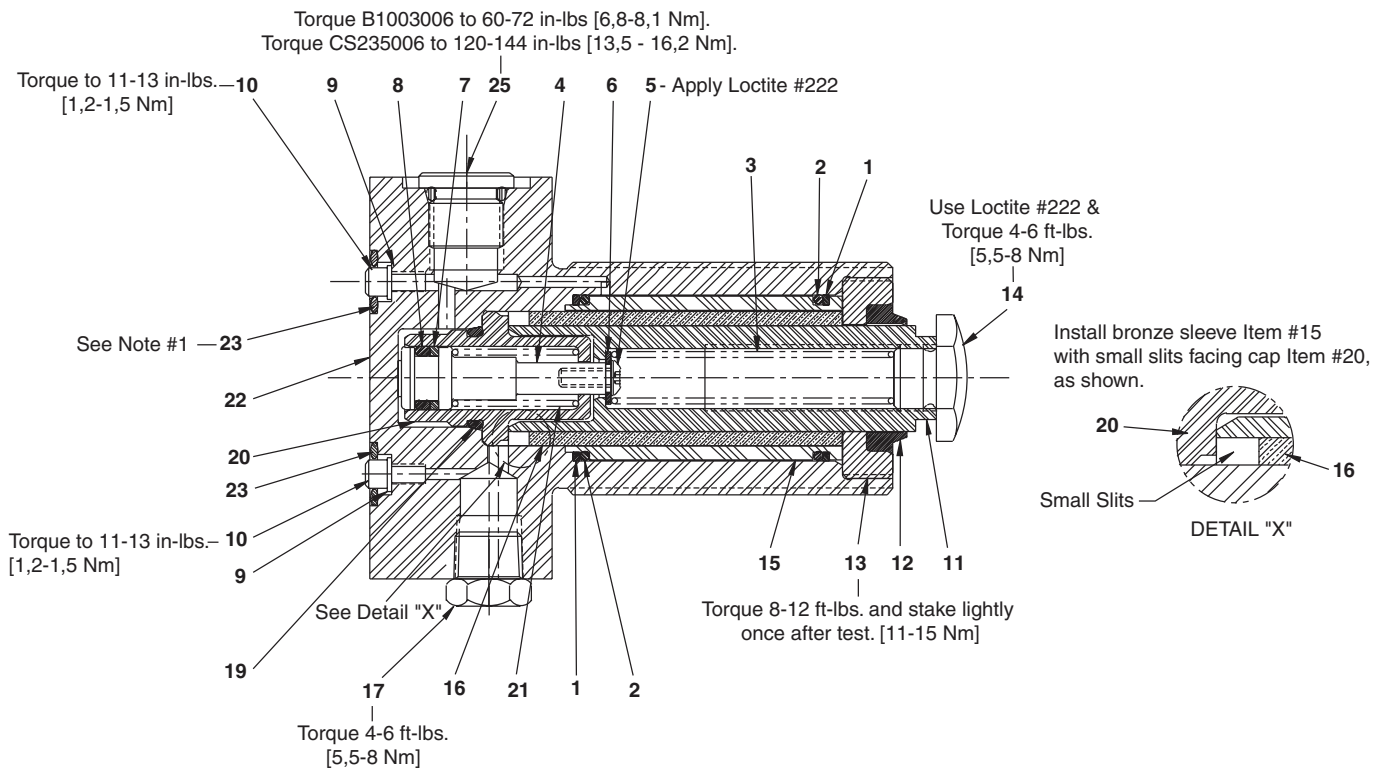


To Protect Your Warranty, Use Only ENERPAC Hydraulic Oil.

Enerpac recommends that all kit components be installed to insure optimum performance of the repaired product.

Note: Lubricate all seals prior to assembly with HFT100 hydraulic oil. Do not use grease.



### Repair Parts List

Item #	Part Number			Description
	WFL-111/WFL-112	WFL-111V/WFL-112V	Qty.	
1	★	★	2	Back-Up Washer
2	★	★	2	O-Ring
3	★	★	1	Spring
4	DC1948051	DC1948051	1	Piston
5	★	★	1	Screw
6	★	★	1	Washer
7	★	★	1	Back-Up Washer
8	★	★	1	O-Ring
9	★	★	2	Washer
10	★	★	2	Bolt
11	DA12360040	DA12360040	1	Plunger
12	★	★	1	Wiper

Continued...

## Continued Repair Parts List

Item #	Part Number		Qty.	Description
	WFL-111/WFL-112	WFL-111V/WFL-112V		
13	DA12365044	DA12365044	1	Stop Ring
14	CZ88045	CZ88045	1	Contact Bolt
15	DA12358446	DA12358446	1	Nylon Sleeve
16	DA12359446	DA12359446	1	Bronze Sleeve
17	DC352118	DC352118	1	Breather Vent
19	★	★	1	O-Ring
20	DA12361020	DA12361020	1	Cap
21	★	★	1	Spring Piston
22	DA12364030	DA12364030	1	Base (Imperial)
	DC101030	DC101030	1	Base (Metric)
23	★	★	2	O-Ring
25	B1003006	B1003006	1	#4 S.A.E. Plug (WFL-111/V)
	CS235006	CS235006	1	.25 BSPP Plug (WFL-112/V)
	★ = Repair Kit WFL-111K	★ = Repair Kit WFL-111KV		

★ = Items included in and available only as part of Repair Kits.

### Enerpac Worldwide Locations

✦ e-mail: [info@enerpac.com](mailto:info@enerpac.com)

✦ internet: [www.enerpac.com](http://www.enerpac.com)

#### Australia

ENERPAC, Applied Power Australia Ltd.  
Block V Unit 3  
Regents Park Estate  
391 Park Road  
Regents Park NSW 2143  
(P.O. Box 261) Australia  
Tel: +61 297 438 988  
Fax: +61 297 438 648

#### Canada

Actuant Canada Corporation  
6615 Ordan Drive, Unit 14-15  
Mississauga, Ontario L5T 1X2  
Tel: +1 905 564 5749  
Fax: +1 905 564 0305

#### Toll Free:

Tel: +1 800 268 4987  
Fax: +1 800 461 2456

#### China

Applied Power China Ltd.  
1F, 269 Fute N. Road  
Waigaoqiao Free Trade Zone  
Pudong New District  
Shanghai, 200 131  
China  
Tel: +86 21 5866 9099  
Fax: +86 21 5866 7156

#### France, Turkey, Greece, Africa, Middle East

ENERPAC S.A.  
B.P. 200  
Parc d'Activités  
du Moulin de Massy  
F-91882 Massy CEDEX (Paris) France  
Tel: +33 1 601 368 68  
Fax: +33 1 692 037 50

#### Germany, Switzerland, Austria, Eastern Europe

ENERPAC  
Applied Power GmbH  
P.O. Box 300113  
D-40401 Düsseldorf  
Germany  
Tel: +49 211 471 490  
Fax: +49 211 471 49 28

#### Hong Kong

ENERPAC  
Room 907 Workingberg  
Commercial Building  
41-47 Marble Road  
North Point  
Tel: +852-2561 6295  
Fax: +852-2561 6772

#### India

ENERPAC  
Hydraulics (India) Pvt Ltd  
Plot No. A-571  
MIDC, TTC Industrial Area  
Mahape-400 701  
Navi Mumbai, India  
Tel: +91 22 769 47 78  
Fax: +91 22 769 84 73

#### Italy

ENERPAC  
Applied Power Italiana S.p.A.  
Via Canova 4  
20094 Corsico (Milano)  
Tel: +39 02 4861 1110  
Fax: +39 02 4860 1288

#### Japan

Applied Power Japan Ltd.  
1-1-11, Shimomae  
Toda-shi  
Saitama Pref.  
Japan 335-0016  
Tel: +81-48-430-2311  
Fax: +81-48-430-1117

#### Mexico

ENERPAC Applied Power  
Mexico S.A. de C.V.  
Avenida Principal  
La Paz #100  
Fracc. Industrial La Paz  
42092 Pachuca, Hidalgo  
Tel: +52 771 337 00  
Fax: +52 771 838 00

#### The Netherlands, Belgium, Luxembourg, Sweden, Denmark, Norway, Finland, United Kingdom, Ireland

ENERPAC B.V.  
Storkstraat 25  
P.O. Box 269, 3900 AG Veenendaal  
The Netherlands  
Tel: +31 318 535 911  
Fax: +31 318 525 613  
+31 318 535 848  
UK, Ireland  
Tel: +44 01527 598 900  
Fax: +44 01527 585 500

#### Singapore

Applied Power Asia Pte Ltd  
No. 8, Ang Mo Kio,  
Industrial Park 2  
#01-00  
Singapore 569500  
Thomson Road, P.O. Box 114  
Singapore 915704  
Tel: +65 484 5108  
Fax: +65 484 5669

#### South Korea

ENERPAC  
Applied Power Korea Ltd.  
163-12 Dodang-Dong  
Wonmi-Ku, Buchun-shi  
Kyunggi-Do  
Republic of Korea  
Tel: +82 32 675 08 36  
Fax: +82 32 675 30 02/73

#### Spain, Portugal

ENERPAC  
Applied Power International S.A.  
Avda. Camino de lo Cortao  
21 - Nave 3  
San Sebastian de los Reyes  
28709 Madrid  
Spain  
Tel: +34 91 661 11 25  
Fax: +34 91 661 47 89

#### USA, Latin America and Caribbean

ENERPAC  
P.O. Box 3241  
6101 N. Baker Road  
Milwaukee, WI 53209 USA  
Tel: +1 262 781 6600  
Fax: +1 262 783 9562

#### User inquiries:

+1 800 433 2766

#### Distributor inquiries/orders:

+1 800 558 0530

**All Enerpac products are guaranteed against defects in workmanship and materials for as long as you own them.  
For your nearest authorized Enerpac Service Center, visit us at [www.enerpac.com](http://www.enerpac.com)**