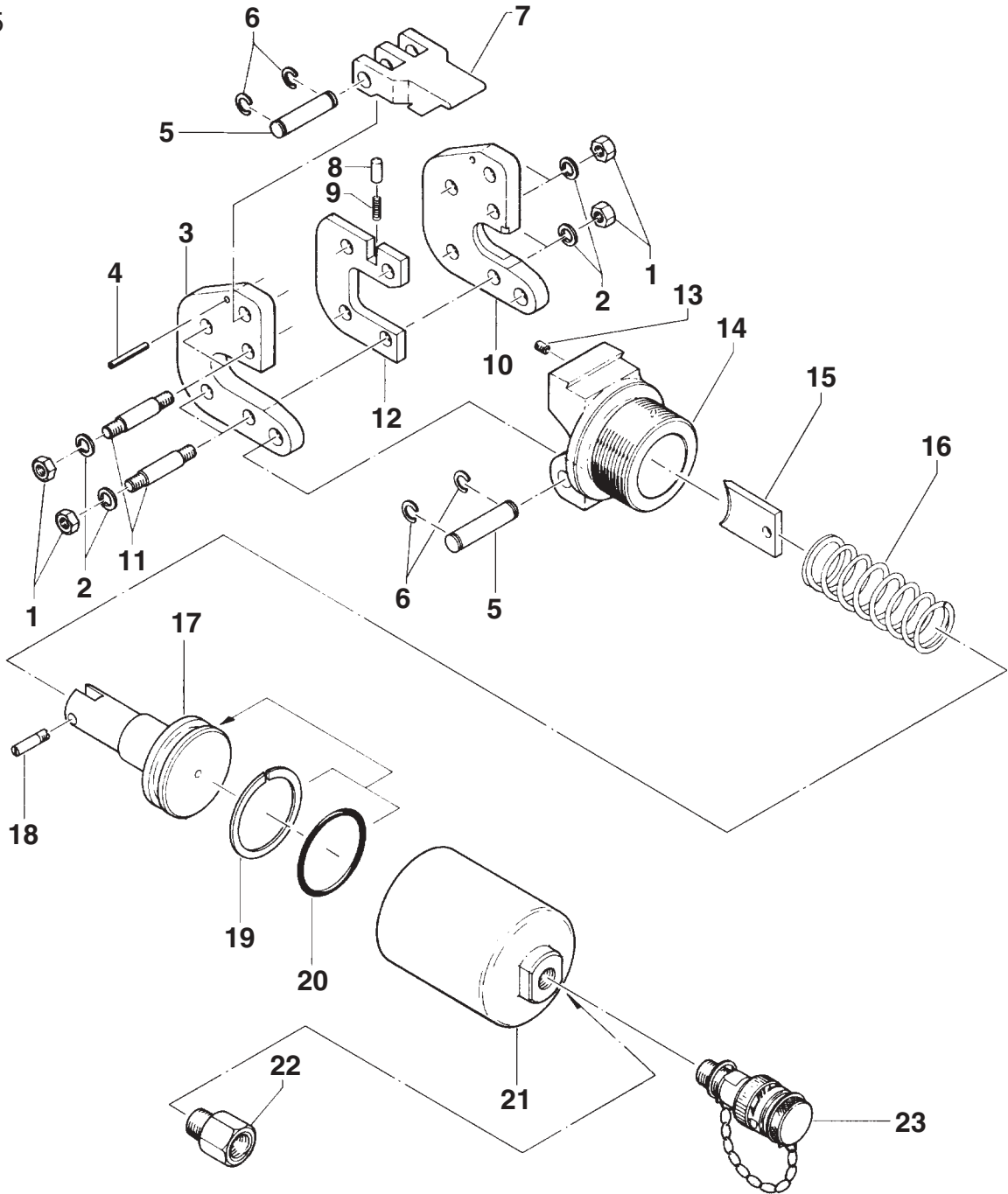


L1087  
Rev. B  
01/98  
PC5025



TO PROTECT YOUR WARRANTY, USE ONLY ENERPAC HYDRAULIC OIL.

## Parts List

Item	Part Number	Qty.	Description	Item	Part Number	Qty.	Description
1	WM1584031	8	M10 Hex Nut	13	WH1253201	1	M5x0.8x10 Screw
2	WM1584032	8	M10 Lock Washer	14	WH1253202	1	Cylinder Head
3	WM1253201	1	Main Head	15	WCB1250	1	Blade
4	WM1252602	1	4x36 Drive Pin	16	WM1253207	1	Ram Spring
5	WM1252603	2	Pin	17	WH1253203	1	Ram
6	★ WM1252604	4	Snap Ring	18	WM1253209	1	Blade Screw
7	WM1252605	1	Latch	19	★ WH1253204	1	Back-Up Ring
8	WM1252606	1	Spring Holder	20	★ WH1253205	1	O-Ring
9	★ WM1252607	1	Latch Spring	21	WH1253206	1	Cylinder
10	WM1253202	1	Head Shear	22	WH3388580	1	3/8" NPT Adapter
11	WM1252609	4	Stud Bolt	23	CR400	1	Half Coupler
12	WM1253203	1	Spacer	-	CL760625	1	Carrying Case (not shown)
★ Indicates items included in Repair Kit WHC-125K.							

### Australia

ENERPAC  
Applied Power Australia, Ltd.  
P.O. Box 261 Regents Park  
Sydney, N.S.W. 2143  
Tel: (61) (2) 9743 8988  
Fax: (61) (2) 9743 8648

### CIS

Applied Power Moscow  
Leninsky Prospekt 95A  
117313 Moscow, Russia  
Tel: (7)(95) 956 5090  
Fax: (7)(95) 936 2006

### France, Switzerland, Turkey, Greece, Africa, Middle East

ENERPAC S.A.  
B.P.200, Parc d'Activitiés  
du Moulin de Massy  
1 rue du Saule Trapu,  
F-91882 Massy CEDEX  
(Paris) France  
Tel: (33) 1 60 13 68 68  
Fax: (33) 1 69 20 37 50

### Germany, Scandinavia, Eastern Europe, Austria, Switzerland

ENERPAC  
Applied Power GmbH  
P.O. Box 30 01 13  
Mündelheimer Weg 51  
40472 Düsseldorf 30  
Germany  
Tel: (49) (211) 47 14 90  
Fax: (49) (211) 4714 940

### Holland, Belgium, and Luxemburg

ENERPAC B.V.  
P.O. Box 269, Storkstraat 25  
3900AG Veenendaal  
Holland  
Tel: (31) (318) 535911  
Fax: (31) (318) 525613

### Hong Kong

ENERPAC  
Applied Power Asia PTE LTD.  
Room No. 907, Workingberg  
Commercial Building  
41-47 Marble Road,  
North Point  
Tel: (852) 2561-6285  
Fax: (852) 2561-6772

### India

ENERPAC  
Hydraulics (India) Pvt Ltd.  
203 Vardhaman Chambers  
Plot #84, Sector 17  
Vashi, New Bombay 400 705  
Maharashtra, India  
Tel: 91-22-7632061  
Fax: 91-22-7670309

### Italy

ENERPAC  
Applied Power Italiana S.p.A.  
Via Canova, 4  
20094 Corsico (Milano)  
Italy  
Tel: 39 2 45 82 741  
Fax: 39 2 48 60 12 88

### Japan

Applied Power Japan LTD  
10-17 Sasame Kita-cho  
Toda-City  
Saitama 335,  
Japan  
Tel: 81 048 422 2251  
Telex: J26275  
Fax: 81 048 422 0596

### Mexico

ENERPAC  
Applied Power Mexico  
Av. Principal La Paz #100  
Fracc. Industrial La Paz  
42092 Pachuca, Hidalgo, Mexico  
Tel: (52) 771 33700  
Fax: (52) 771 83800

### Singapore

Applied Power Asia PTE LTD.  
47 Jalan Pemimpin #01-02 &  
#01-03 Sin Cheong Building  
Singapore 577200  
Tel: (65) 258 1677  
Fax: (65) 258 2847

### South Korea

ENERPAC  
Applied Power Korea Ltd.  
163-12, Dodang-Dong  
Wonmi-ku, Buchun-Shi,  
Kyunggi-Do  
Republic of Korea  
Tel: (82) (32) 675 0836  
Fax: (82) (32) 675 3002

### Spain, Portugal

ENERPAC  
Applied Power International, S.A.  
Calle de la Imprenta, 7  
Poligono Industrial  
28100 Acobendas (Madrid)  
Spain  
Tel: (34) 1 661 11 25  
Fax: (34) 1 661 47 89

### United Kingdom, Ireland

ENERPAC Ltd. Unit 3  
Colemeadow Road  
North Moons Moat  
Redditch, Worcester B98 9BP  
England  
Tel: 44 01527 598 900  
Fax: 44 01527 585 500

### United States, Canada, Latin America and Caribbean

ENERPAC  
13000 West Silver Spring Drive  
Butler, Wisconsin 53007, USA  
Tel: (414) 781-6600  
1-800-433-2766 (End User)  
1-800-558-0530 (Distributor)  
Fax: (414) 781-1049

### Canada

Tel: 1-800-426-4129 (End User)  
Tel: 1-800-426-2284 (Distributor)

### Latin America and Caribbean

Tel: (414) 781-6600 ext. 263  
Fax: (414) 781-5561



**All Enerpac products are guaranteed against defects in workmanship and materials for as long as you own them. Under this guarantee, free repair or replacement will be made to your satisfaction.**

**For prompt service, contact your Authorized Enerpac Service Center or call toll free:**

**In U.S.A. 1-800-558-0530**

**In Canada 1-800-426-2284**

PRINTED IN U.S.A.