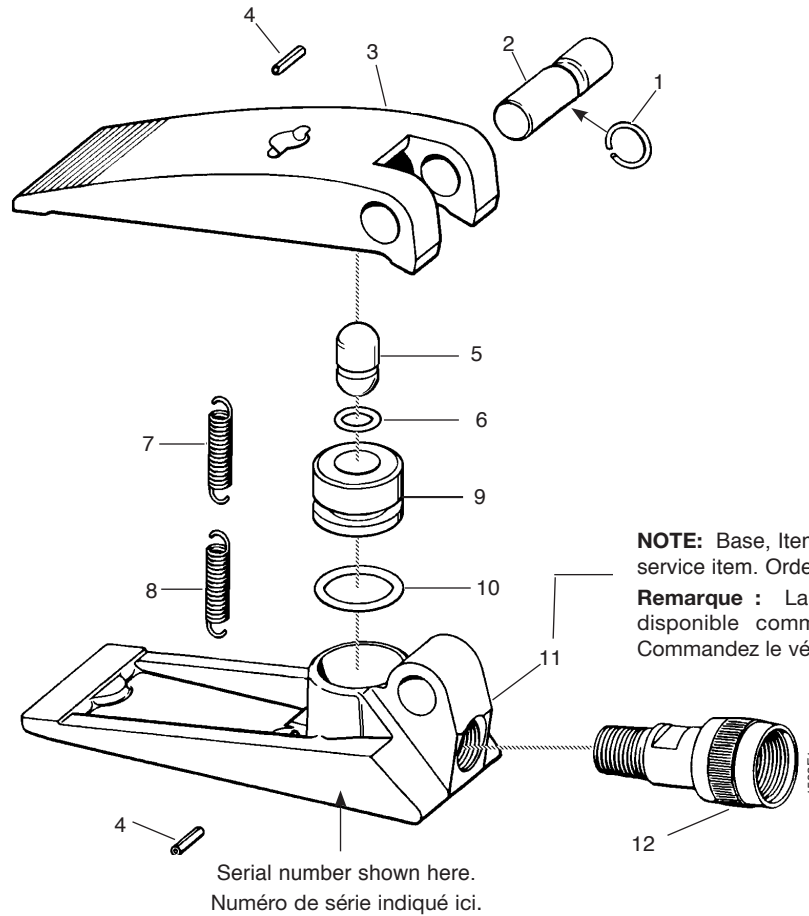


L1593 Rev. G 05/16  
Rév. G 05/16

For Date Codes Beginning with the Letter "O"  
Pour les codes de date commençant par « O »



**NOTE:** Base, Item 11, is not available as a service item. Order complete cylinder.

**Remarque :** La base (no 11) n'est pas disponible comme pièce de rechange. Commandez le vérin complet.

Repair Parts List			
Item	Part Number	Qty.	Description
1	★ K1044	1	Ring
2	K12061	1	Pin
3	K1629-2SR	1	Spoon (incl. item 1)
4	★ B1055057	2	Spring Pin
5	K3062	1	Link
6	★ B1009503	1	O-Ring
7	BSS6608D	1	Pull Spring
8	BSS6609D	1	Pull Spring
9	CY179040	1	Plunger
10	★ B1212903	1	O-Ring
11	Not a service item. Order complete cylinder.		Base
12	CR-400	1	Coupler

★ Indicates items included in and available only as part of Repair Kit WR5K.

Liste des pièces de rechange			
Article	Numéro de référence	Qté.	Description
1	★ K1044	1	Anneau
2	K12061	1	Goupille
3	K1629-2SR	1	Cuillère (fournie avec l'article 1)
4	★ B1055057	2	Goupille-ressort
5	K3062	1	Tringlerie
6	★ B1009503	1	Joint torique
7	BSS6608D	1	Ressort de traction
8	BSS6609D	1	Ressort de traction
9	CY179040	1	Piston
10	★ B1212903	1	Joint torique
11	Pas une pièce de rechange. Commander le vérin complet.		Base
12	CR-400	1	Raccord

★ Indique des articles fournis et disponibles uniquement comme pièces du Kit de réparation WR5K.

**To Protect Your Warranty, Use Only ENERPAC Hydraulic Oil. Enerpac recommends that all kit components be installed to insure optimum performance of the repaired cylinder.**

***Pour assurer la validité de la garantie, n'utiliser que de l'huile hydraulique ENERPAC.***

## **Enerpac Worldwide Locations**

◆ **e-mail:** [info@enerpac.com](mailto:info@enerpac.com)

◆ **internet:** [www.enerpac.com](http://www.enerpac.com)

### **Australia and New Zealand**

Actuant Australia Ltd.  
P.O. Box 6867  
Wetherhill Park, NSW1851  
Block V Unit 3  
Regents Park Estate  
391 Park Road  
Regents Park NSW 2143  
Australia  
T +61 287 177 200  
F +61 297 438 648  
[sales-au@enerpac.com](mailto:sales-au@enerpac.com)

### **Brazil**

Power Packer do Brasil Ltda.  
Rua Luiz Lawrie Reid, 548  
09930-760 - Diadema (SP) - Brazil  
T +55 11 5687 2211  
Toll Free: 0800 891 5770  
[vendasbrasil@enerpac.com](mailto:vendasbrasil@enerpac.com)

### **China (Taicang)**

Actuant (China) Industries Co. Ltd.  
No.6 Nanjing East Road,  
Taicang Economic Dep Zone  
Jiangsu, China  
T +86 0512 5328 7500  
F +86 0512 5335 9690  
Toll Free: +86 400 885 0369  
[sales-cn@enerpac.com](mailto:sales-cn@enerpac.com)

### **France, Switzerland, North Africa and French speaking African countries**

ENERPAC  
Une division d'ACTUANT France S.A.S.  
ZA de Courtaboeuf  
32, avenue de la Baltique  
91140 VILLEBON /YVETTE  
France  
T +33 1 60 13 68 68  
F +33 1 69 20 37 50  
[sales-fr@enerpac.com](mailto:sales-fr@enerpac.com)

### **Germany and Austria**

ENERPAC GmbH  
P.O. Box 300113  
D-40401 Düsseldorf  
Willstätterstrasse 13  
D-40549 Düsseldorf, Germany  
T +49 211 471 490  
F +49 211 471 49 28  
[sales-de@enerpac.com](mailto:sales-de@enerpac.com)

### **India**

ENERPAC Hydraulics (India) Pvt. Ltd.  
No. 10, Bellary Road, Sadashivanagar,  
Bangalore, Karnataka 560 080  
India  
T +91 80 3928 9000  
[info@enerpac.co.in](mailto:info@enerpac.co.in)  
[www.enerpac.com](http://www.enerpac.com)

### **Italy**

ENERPAC S.p.A.  
Via Canova 4  
20094 Corsico (Milano)  
T +39 02 4861 111  
F +39 02 4860 1288  
[sales-it@enerpac.com](mailto:sales-it@enerpac.com)

### **Japan**

Applied Power Japan LTD KK  
Besshocho 85-7  
Kita-ku, Saitama-shi 331-0821, Japan  
T +81 48 662 4911  
F +81 48 662 4955  
[sales-jp@enerpac.com](mailto:sales-jp@enerpac.com)

### **Middle East, Egypt and Libya**

ENERPAC Middle East FZE  
Office 423, LOB 15  
P.O. Box 18004, Jebel Ali, Dubai  
United Arab Emirates  
T +971 (0)4 8872686  
F +971 (0)4 8872687  
[sales-ua@enerpac.com](mailto:sales-ua@enerpac.com)

### **Russia**

Rep. office Enerpac  
Russian Federation  
Admiral Makarova Street 8  
125212 Moscow, Russia  
T +7 495 98090 91  
F +7 495 98090 92  
[sales-ru@enerpac.com](mailto:sales-ru@enerpac.com)

### **Southeast Asia, Hong Kong and Taiwan**

Actuant Asia Pte Ltd.  
83 Joo Koon Circle  
Singapore 629109  
T +65 68 63 0611  
F +65 64 84 5669  
Toll Free: +1800 363 7722  
[sales-sg@enerpac.com](mailto:sales-sg@enerpac.com)

### **South Korea**

Actuant Korea Ltd.  
3Ba 717, Shihwa Industrial Complex  
Jungwang-Dong, Shihung-Shi,  
Kyunggi-Do  
Republic of Korea 429-450  
T +82 31 434 4506  
F +82 31 434 4507  
[sales-kr@enerpac.com](mailto:sales-kr@enerpac.com)

### **Spain and Portugal**

ENERPAC SPAIN, S.L.  
Avda. Los Frailes, 40 – Nave C & D  
Pol. Ind. Los Frailes  
28814 Daganzo de Arriba  
(Madrid) Spain  
T +34 91 884 86 06  
F +34 91 884 86 11  
[sales-es@enerpac.com](mailto:sales-es@enerpac.com)

### **Sweden, Denmark, Norway, Finland and Iceland**

Enerpac Scandinavia AB  
Kopparlundsvägen 14,  
721 30 Västerås  
Sweden  
T +46 (0) 771 41 50 00  
[scandinavianinquiries@enerpac.com](mailto:scandinavianinquiries@enerpac.com)

### **The Netherlands, Belgium, Luxembourg, Central and Eastern Europe, Baltic States, Greece, Turkey and CIS countries**

ENERPAC B.V.  
Galvanistraat 115, 6716 AE Ede  
P.O. Box 8097, 6710 AB Ede  
The Netherlands  
T +31 318 535 911  
F +31 318 535 848  
[sales-nl@enerpac.com](mailto:sales-nl@enerpac.com)

### **Enerpac Integrated Solutions B.V.**

Spinelstraat 15, 7554 TS Hengelo  
P.O. Box 421, 7550 AK Hengelo  
The Netherlands  
T +31 74 242 20 45  
F +31 74 243 03 38  
[integratedsolutions@enerpac.com](mailto:integratedsolutions@enerpac.com)

### **South Africa and other English speaking African countries**

Enerpac Africa Pty Ltd.  
No. 5 Bauhinia Avenue  
Cambridge Office Park  
Block E  
Highveld Techno Park  
Centurion 0157  
Republic of South Africa  
T: +27 12 940 0656  
[sales-za@enerpac.com](mailto:sales-za@enerpac.com)

### **United Kingdom and Ireland**

ENERPAC UK Ltd.  
5 Coopies Field  
Morpeth, Northumberland  
NE61 6JR, England  
T +44 1670 5010 00  
[sales-uk@enerpac.com](mailto:sales-uk@enerpac.com)

### **USA, Latin America and Caribbean**

ENERPAC World Headquarters  
P.O. Box 3241  
Milwaukee WI 53201-3241 USA  
N86 W12500 Westbrook Crossing  
Menomonee Falls, Wisconsin 53051  
T +1 262 293 1600  
F +1 262 293 7036  
User inquiries:  
T +1 800 433 2766  
Distributor inquiries/orders:  
T +1 800 558 0530  
F +1 800 628 0490  
Technical inquiries:  
[techservices@enerpac.com](mailto:techservices@enerpac.com)  
[sales-us@enerpac.com](mailto:sales-us@enerpac.com)

All Enerpac products are guaranteed against defects in workmanship and materials for as long as you own them.

For the location of your nearest authorized Enerpac Service Center, visit us at [www.enerpac.com](http://www.enerpac.com)

030316