

Specification

Units:

Imperial

Metric

| | |
|---|--------------------------|
| Maximum Operating Pressure (psi) | 10,000 |
| Cylinder Compatability | Single-acting |
| Reservoir Capacity (in ³) | 61 |
| Usable Oil Capacity (in ³) | 61 |
| Maximum Flow at Rated Pressure | 15 in ³ /min |
| Output Flow Rate (in ³ /min) No Load | 120 |
| Output Flow Rate Load (in ³ /min) | 15 |
| Valve Function | Advance / Hold / Retract |
| Valve Operation | Manual |
| Valve Type | 3-way, 3-position |
| Power Source | Air |
| Air Pressure Range (psi) | 30 - 125 |
| Air Consumption (scfm) | 10 - 35 |
| Weight (lbs) | 19 |

Dimension

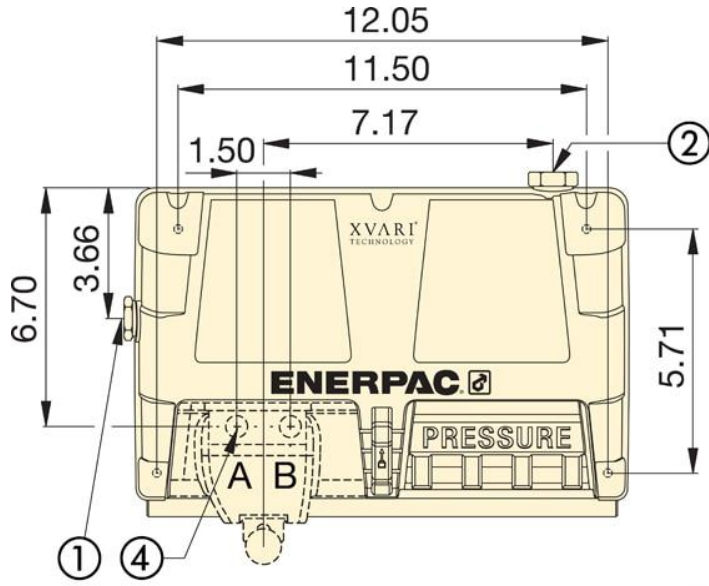
Units:

Imperial

Metric

Dimension H1 (in)

5.98



- ① 3/8"-18 NPTF Oil Outlet
- ② 1/4"-18NPTF Air Inlet
- ③ 4/3 Optional Control Valve
- ④ 3/8"-18 NPTF Oil Outlet

