

Specifications

Units:

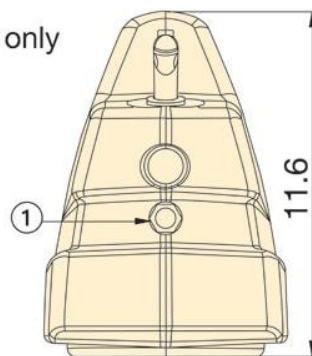
Imperial

Metric

Maximum Operating Pressure (psi)	10,000
Cylinder Compatability	Double-acting
Reservoir Capacity (in ³)	120
Usable Oil Capacity (in ³)	120
Maximum Flow at Rated Pressure	15 in ³ /min
Output Flow Rate (in ³ /min) No Load	125
Output Flow Rate Load (in ³ /min)	15
Output Flow Rate (in ³ /min) 2000 psi	30
Number of Outlets	2
Motor Size (hp)	0.5
Duty Cycle	Intermittent
Valve Function	Advance / Neutral / Retract
Valve Operation	Manual
Valve Type	4-way, 3-position
Power Source	Battery
Charger Voltage (VAC)	230
Weight (lbs)	24.2

- ① Outlet "Advance" Port
- ② Oil Fill (*must use funnel*)
- ③ User Adjustable Relief Valve Access Port
- ④ Directional Control Valve *
- ⑤ Shoulder Strap Connection Points
- ⑥ Safety Lock Feature *
- ⑦ On/Off Switch *
- ⑧ Inlet "Retract" Port
(double-acting models only)

* Single-acting and double-acting models only



Dimensions shown in inches

