

ZE2-SERIES ELECTRIC PUMPS

SPEC SHEET



▲ ZE2208MB, Electric Pump

- .75 hp induction motor for long life and quiet operation
- 71 to 79 dBA across the pressure range
- 1.8 gallon, steel hydraulic oil reservoir offers capacity and cool operation for wide range of applications
- IP54 protection
- Heavy duty bearings extend pump life by reducing heat, improving lubrication and reducing wear
- Replaceable piston check valves increase service life of major pump components
- VE32D solenoid dump valve model available
- Pendant and manual control options for ease of use

**Durable, reliable,
easy to use**



Gauges

Enerpac offers a complete line of high-quality hydraulic gauges. To ensure the integrity of your system, specify only a genuine Enerpac gauge.



ZE2-SERIES ELECTRIC PUMPS



ZE2-Series, Electric Pumps

The ZE2-Series pumps are an extension of the proven Enerpac ZE-Series and utilize the same robust valves, reservoir and pump element as the larger pumps in the family.

The single piston design and .75 hp induction motor enable productive flow rates, long cycle life and quiet

operation. Combined with the efficient, robust, easy to service pumping element the ZE2 is ideal for manufacturing and shop environments.

Multiple valve and control options provide the flexibility to match the pump to a wide range of pressing, punching and other operations.

Compare the ZE2 to the other pumps in the ZE-Series and determine the best pump for the application.

ZE Series



Reservoir Capacity:

1.8 gal.

Flow at Rated Pressure:

20 in³/min.

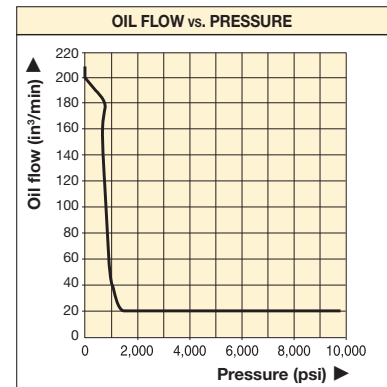
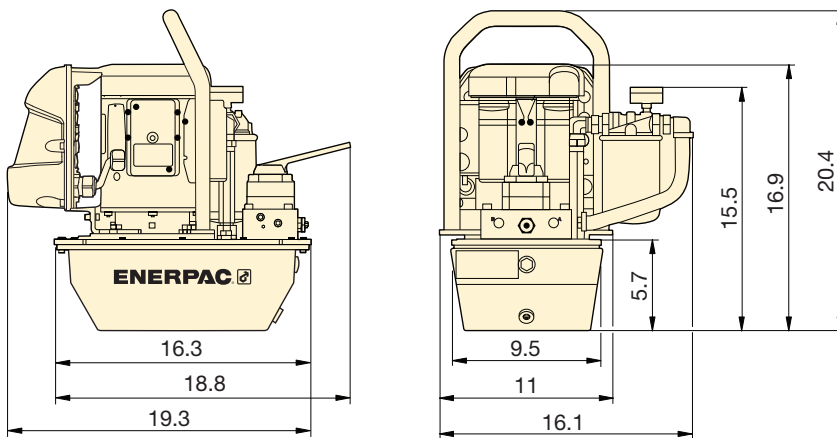
Motor Size:

.75 hp

Maximum Operating Pressure:

10,000 psi

ZE2 with Optional Return Line Filter



Used with Cylinder	Hold	Useable Reservoir Capacity (gal)	Model Number	Output Flow Rate (in ³ /min)		Valve Type	Valve Operation	Motor Voltage (VAC)	Sound Level (dBA)	Motor Size (hp)	Dimensions (in)			Weight With Oil (lbs)
				100 psi	10,000 psi						L	H	W	
S/A		1.8	ZE2108DB ^(L, E)	200	20	VE32D	Solenoid w/ Pendant	115	79	.75	19.3	20.4	11	93.5
S/A		1.8	ZE2208MB ^(L, E) 1)	200	20	VM32	Manual w/o Pendant	115	79	.75	18.8	20.4	11	83.3
S/A	x	1.8	ZE2308MB ^(L, E) 1)	200	20	VM33	Manual w/o Pendant	115	79	.75	18.8	20.4	11	84.2
D/A	x	1.8	ZE2408MB ^(L, E) 1)	200	20	VM43	Manual w/o Pendant	115	79	.75	18.8	20.4	11	84.2
S/A		1.8	ZE2208PB ^(L, E)	200	20	VM32	Manual w/ Pendant	115	79	.75	21.9	20.4	11	91.1
S/A	x	1.8	ZE2308PB ^(L, E)	200	20	VM33	Manual w/ Pendant	115	79	.75	21.9	20.4	11	91.9
D/A	x	1.8	ZE2408PB ^(L, E)	200	20	VM43	Manual w/ Pendant	115	79	.75	21.9	20.4	11	91.9
S/A	x	1.8	ZE2308EB ^(L, E)	200	20	VE33	Solenoid w/ Pendant	115	79	.75	19.3	20.4	11	108.1
D/A	x	1.8	ZE2408EB ^(L, E)	200	20	VE43	Solenoid w/ Pendant	115	79	.75	19.3	20.4	11	108.1

S/A = Single Acting, D/A = Double Acting

"B" suffix model numbers shown are 115 VAC, 1-phase, 50/60 Hz, CE compliant

"I" indicates pump is available in 208-240V, 1-phase, 50/60 Hz with NEMA 6/15 plug, CE compliant

"E" indicates pump is available in 208-240V, 1-phase, 50/60 Hz with European plug, CE compliant

All models can be ordered with the following Factory Installed Accessories/Options

F = Return Line Filter

G = 0-15,000 psi gauge (2 1/2")

S = Single stage

1) Models can be ordered with Pressure Switch (P)