

Specification

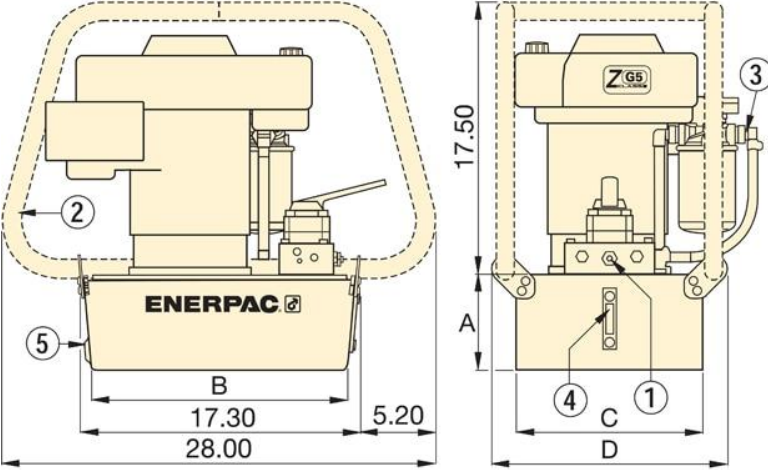
Units:

Imperial

Metric

Maximum Operating Pressure (psi)	10,000
Cylinder Compatability	Double-acting
Reservoir Capacity (in ³)	1,155
Usable Oil Capacity (gal)	5
Maximum Flow at Rated Pressure	100 in ³ /min
Output Flow Rate (in ³ /min) 100 psi	700
Output Flow Rate (in ³ /min) 700 psi	650
Output Flow Rate (in ³ /min) 5000 psi	110
Output Flow Rate (in ³ /min) 10000 psi	100
Motor Manufacturer	Honda
Motor Size (ft/lbs)	7.1
Valve Function	Advance / Hold / Retract
Valve Operation	Manual
Valve Type	4-way, 3-position, Tandem Center
Valve Model	VM43
Power Source	Gasoline
Pump Control	Manual
Sound Level (dBa)	88 - 93
Relief Valve Adjustment Range (psi)	1,000 - 10,000
Weight (lbs)	141

Dimensions



- ① User-adjustable relief valve on all manual valves. 3/8" NPTF on A and B ports; 1/4" NPTF on auxiliary ports.
- ② Roll Bar (optional)
- ③ Return Line Filter (optional)
- ④ Oil Level Gauge
- ⑤ Oil Drain