

▼ Shown: ZG5420MX-R



Z Tough.
Dependable.
Innovative.
CLASS



Speed Chart

To determine how a ZG Series pump will operate your cylinder, see the Pump/Cylinder Speed Chart in the “Yellow Pages”.

Page: 409



ZG-Series, Gasoline Pump Performance

Elevation can affect the performance of any gasoline engine. ZG-Series pumps are designed to develop rated performance at elevations up to 4921 ft.

For applications above this elevation please consult your Enerpac office.



User-Adjustable Relief Valve

All VM-Series directional valves have a user adjustable relief valve to allow the operator to easily set the optimum working pressure.

- Features Z-Class high-efficiency pump design, higher oil flow and bypass pressure
- Two-speed operation reduces cycle time for improved productivity
- Full-sight oil level glass on all reservoirs allow quick and easy oil level monitoring
- ZG5 is available in two 4-cycle engine sizes: 7.1 ft.lbs Honda and 8.5 ft.lbs Briggs & Stratton

▼ SELECTION CHART

Used with Cylinder	Usable Oil Capacity (gal)	Valve Model Number	Valve Function	Model Number with Roll Cage	Output Flow Rate (in ³ /min)				Sound Level (dBA)
					at 100 psi	at 700 psi	at 5000 psi	at 10,000 psi	
Single-Acting	2.6	VM33	Advance/ Hold/ Retract	ZG5310MX-R	700	650	110	100	88 - 93
	5.2			ZG5320MX-R	700	650	110	100	88 - 93
Double-Acting	2.6	VM43		ZG5410MX-R	700	650	110	100	88 - 93
	5.2			ZG5420MX-R	700	650	110	100	88 - 93
Single-Acting	2.6	VM33		ZG5310MX-BR	400	380	110	100	91 - 95
	5.2			ZG5320MX-BR	400	380	110	100	91 - 95
Double-Acting	2.6	VM43		ZG5410MX-BR	400	380	110	100	91 - 95
	5.2			ZG5420MX-BR	400	380	110	100	91 - 95
	10.3	VM43L		ZG5840MX-BR	400	380	110	100	91 - 95

*To order Briggs & Stratton motor, place a “B” suffix in the model number.

Gasoline Hydraulic Pumps

CUSTOM BUILD YOUR ZG AIR PUMP

▼ This is how a ZG-Series Pump model number is built up:



1 Product Type
2 Motor Type
3 Flow Group
4 Valve Type
5 Usable Oil Capacity
6 Valve Operation
7 Voltage
8 Options

1 Product Type

Z = Pump class

2 Motor Type

G = Gasoline Engine

3 Flow Group

5 = 100 in³/min@10,000 psi

6 = 200 in³/min@10,000 psi (see page 130)

4 Valve Type

0 = No valve with coverplate ¹⁾

2 = 3-way, 2-position (VM32)

3 = 3-way, 3-position (VM33)

4 = 4-way, 3-position (VM43)

6 = 3-way, 3-position,

locking (VM33L)

8 = 4-way, 3-position,

locking (VM43L)

¹⁾ For remote valve mounting order **BSS1090** high pressure connecting plate.

5 Usable Oil Capacity (Reservoir Size)

10 = 2.6 gallon

20 = 5.2 gallon

40 = 10.3 gallon

6 Valve Operation

M = Manual valve

N = No valve

7 Voltage

X = Not applicable

8 Options

(Specify in alphabetical order)

B = Briggs & Stratton gasoline engine

F = Return Line Filter

G = 15,000 psi gauge

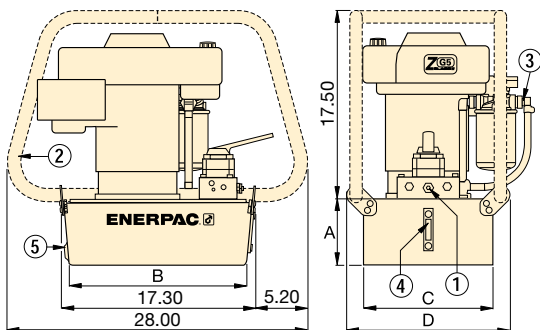
N = No reservoir handles (includes lifting eyes; 2.5, 5, 10 gallon only)

R = Roll bars

Ordering Example

Model Number: **ZG5420MXFR**

This is a 10,000 psi hydraulic pump, with a 4/3 manual valve, 2.6 gallon reservoir, with a 7.1 ft-lbs Honda gasoline engine pump, return-line filter and roll bar.



- ① User-adjustable relief valve on all manual valves. 3/8" NPTF on A and B ports; 1/4" NPTF on auxiliary ports.
- ② Roll Bar (optional)
- ③ Return Line Filter (optional)
- ④ Oil Level Gauge
- ⑤ Oil Drain

Motor Manufacturer*	Relief Valve Adjustment Range (psi)	ZG5 Dimensions (in)				Wt. (lbs)	Model Number with Roll Cage
		A	B	C	D		
Honda	1000-10,000	6.1	16.5	12.0	15.1	113.6	ZG5310MX-R
		7.1	16.3	16.6	19.7	140.9	ZG5320MX-R
		6.1	16.5	12.0	15.1	113.6	ZG5410MX-R
		7.1	16.3	16.6	19.7	141.0	ZG5420MX-R
Briggs & Stratton *	1000-10,000	6.1	16.5	12.0	15.1	111.0	ZG5310MX-BR
		7.1	16.3	16.6	19.7	138.3	ZG5320MX-BR
		6.1	16.5	12.0	15.1	111.1	ZG5410MX-BR
		7.1	16.3	16.6	19.7	138.4	ZG5420MX-BR
		10.6	15.7	19.8	21.9	189.6	ZG5840MX-BR

ZG5 Series



Reservoir Capacity:

2.6 - 5.2 - 10.3 gallon

Flow at Rated Pressure:

100 in³/min.

Engine Size:

7.1 and 8.5 Ft.lbs

Maximum Operating Pressure:

10,000 psi



High-Pressure Hoses

Enerpac offers a complete line of high-quality hydraulic hoses. To ensure the integrity of your system, specify only genuine Enerpac hydraulic hoses.

Page: 148

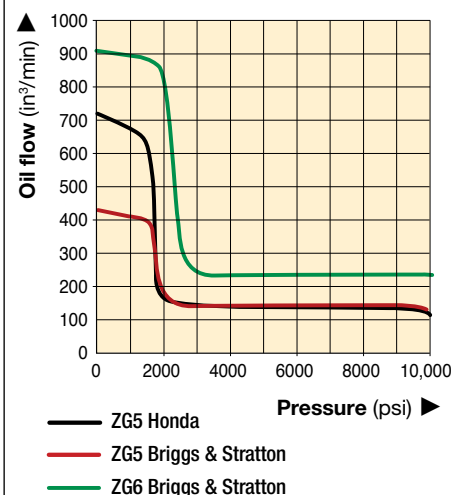


ZG6-Series 17.0 Ft-lb Pump

The ZG6 pump has a 200 in³/min. oil flow at 10,000 psi, Briggs & Stratton 4-cycle gasoline engine with electric start and 12 volt charge output for accessories.

Page: 130

OIL FLOW vs. PRESSURE



▼ Shown: ZG6440MXBCFH



ZG6 Series

Reservoir Capacity:
10.3 gallon

Flow at Rated Pressure:
200 in³/min.

Engine Size:
17.0 Ft.lbs

Sound Level:
88 - 93 dBA

Maximum Operating Pressure:
10,000 psi

- **Features Z-Class high-efficiency pump design:**
 - higher oil flow and bypass pressure
 - patented balanced rotating pump components to reduce vibration
 - replaceable piston check valves that increase service life of pump components
- **Two-speed operation reduces cycle time for improved productivity**
- **Full-sight oil level glass on all reservoirs allow quick and easy oil level monitoring**
- **Sturdy wheeled cart allows transport over uneven terrain and features collapsible handles**
- **Dual forced-air heat exchangers stabilizes hydraulic oil temperature**
- **Roll cage for easy portability and hoisting, protects pump**
- **Briggs & Stratton 17 ft.lbs engine with electric start, pressurized oil and 16-amp charge output for accessories**



Other Options Available

The ZG5/ZG6 pumps are available in a wide range of configurations and options.

Contact Enerpac for further information.



User Adjustable Relief Valve

All VM-Series directional valves have a user adjustable relief valve to

allow the operator to easily set the optimum working pressure.

Used with Cylinder	Usable Oil Capacity (gal)	Valve Model Number	Valve Function	Model Number	Motor Manufacturer*	Motor Size (Ft.lbs)	Weight (lbs)
Double-Acting	10.3	VM43	Advance/Hold/Retract	ZG6440MX-BCFH	Briggs & Stratton	17.0	334.0