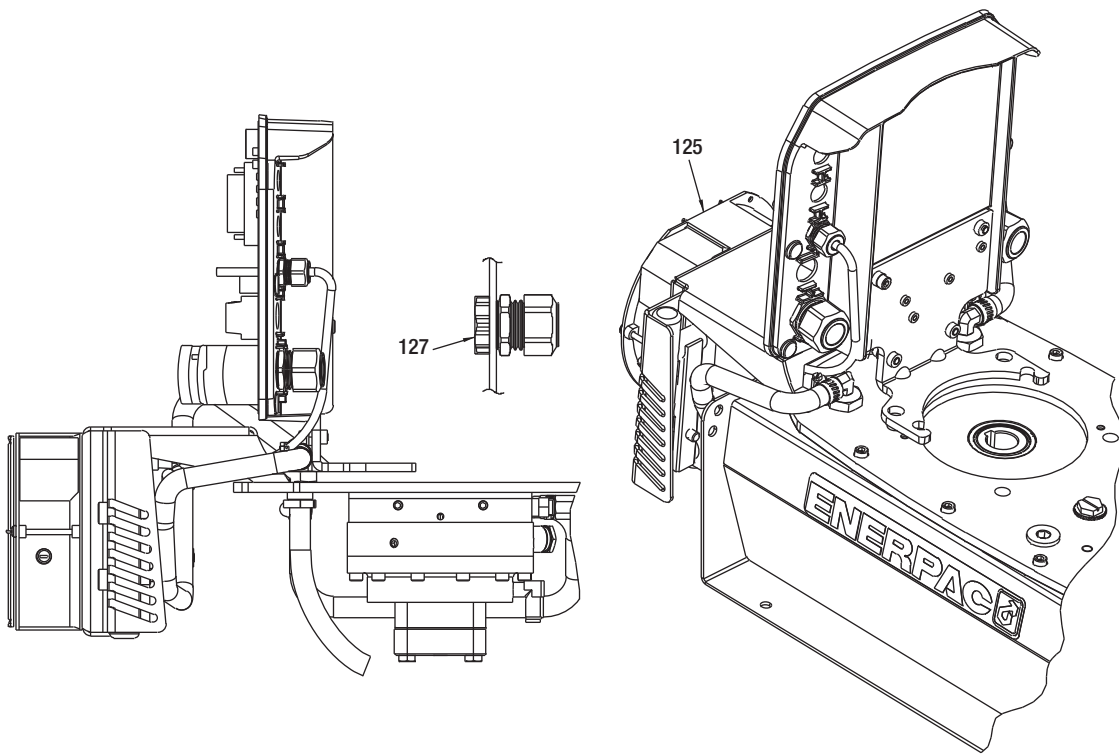


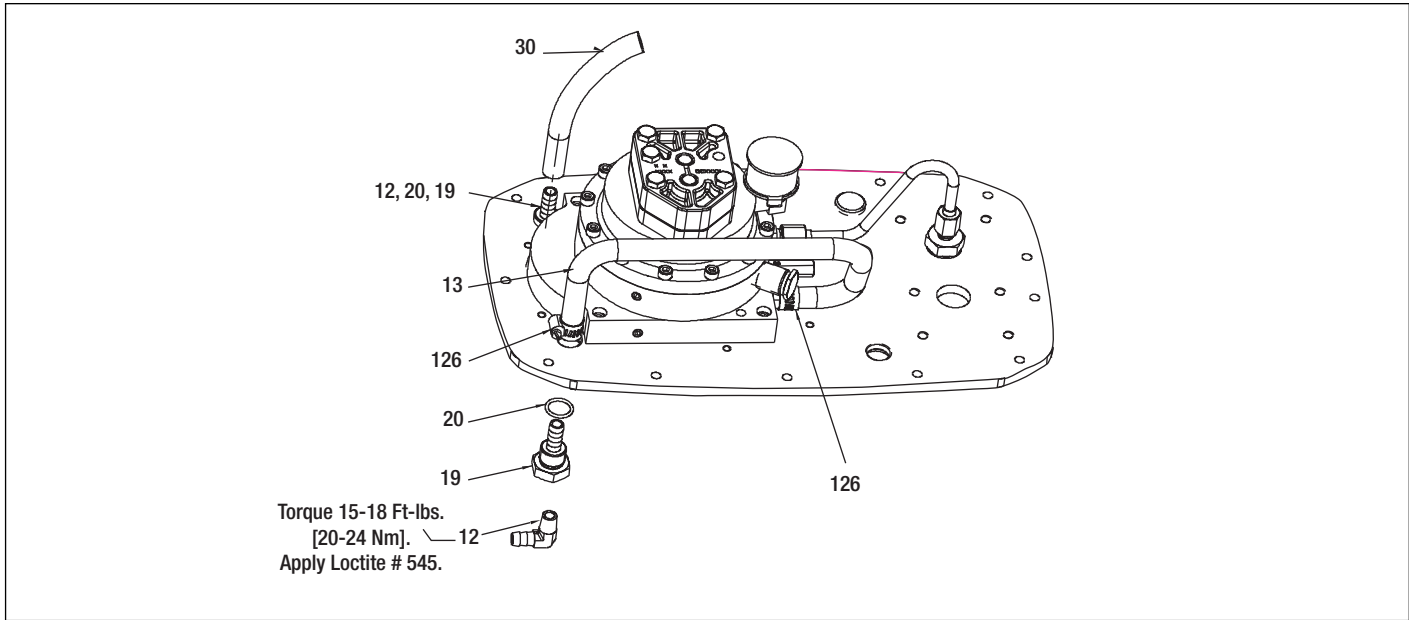
**To Protect Your Warranty, Use Only ENERPAC Hydraulic Oil.**

Enerpac recommends that all kit components be installed to insure optimum performance of the repaired product.



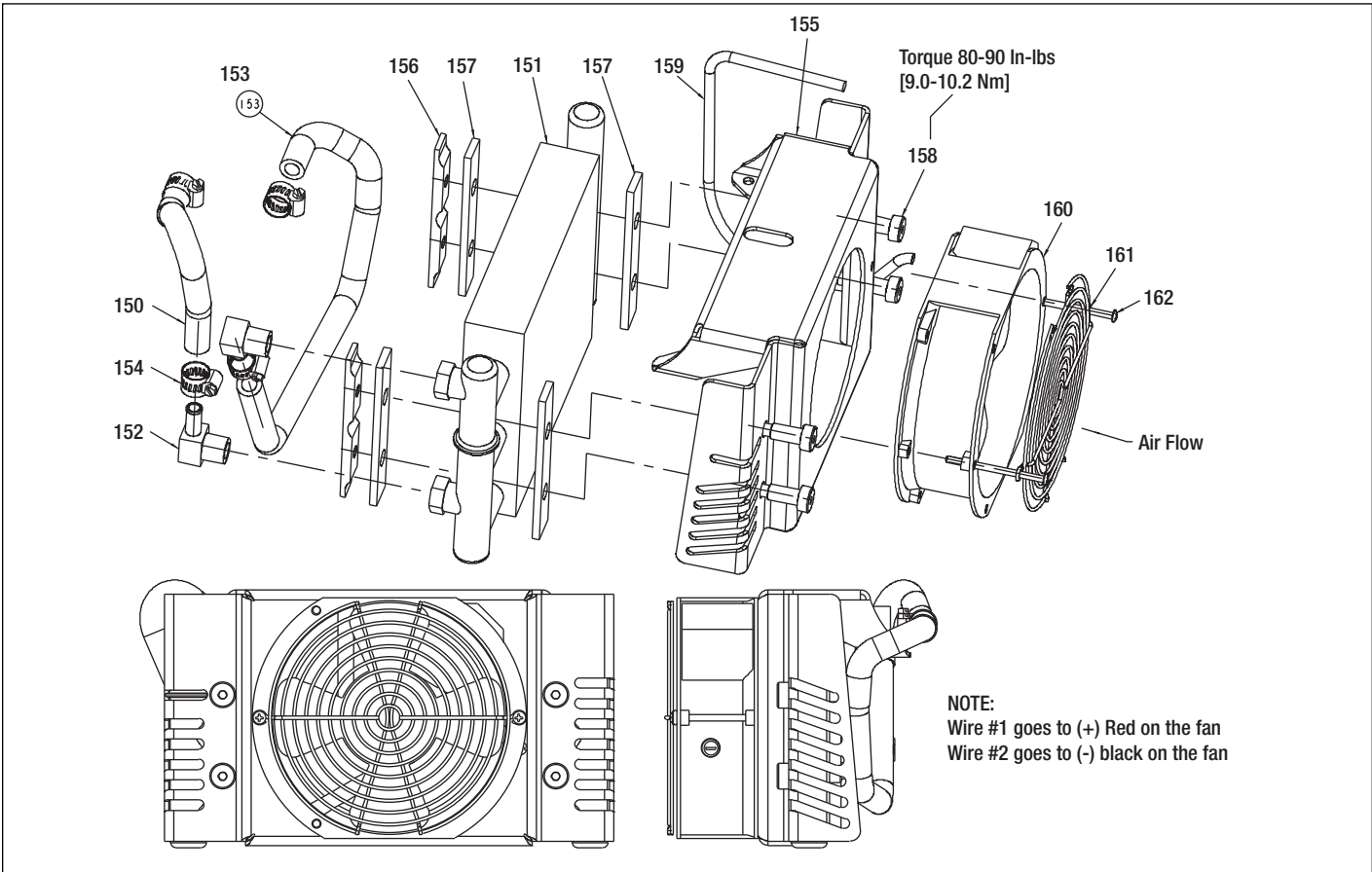
**Figure 1, ZHE-E04, ZHE-E10 Heat Exchanger Mounting**

Repair Parts List for Figure 1			
Item	Part Number	Qty.	Description
125	ZHE-E04	1	Heat Exchanger, 4L and 8L
	ZHE-E10	1	Heat Exchanger, 10-, 20 and 40L
127	DC9537021	1	Locking Nut, 16 mm



**Figure 2, View Showing Hoses for Heat Exchanger Variation**

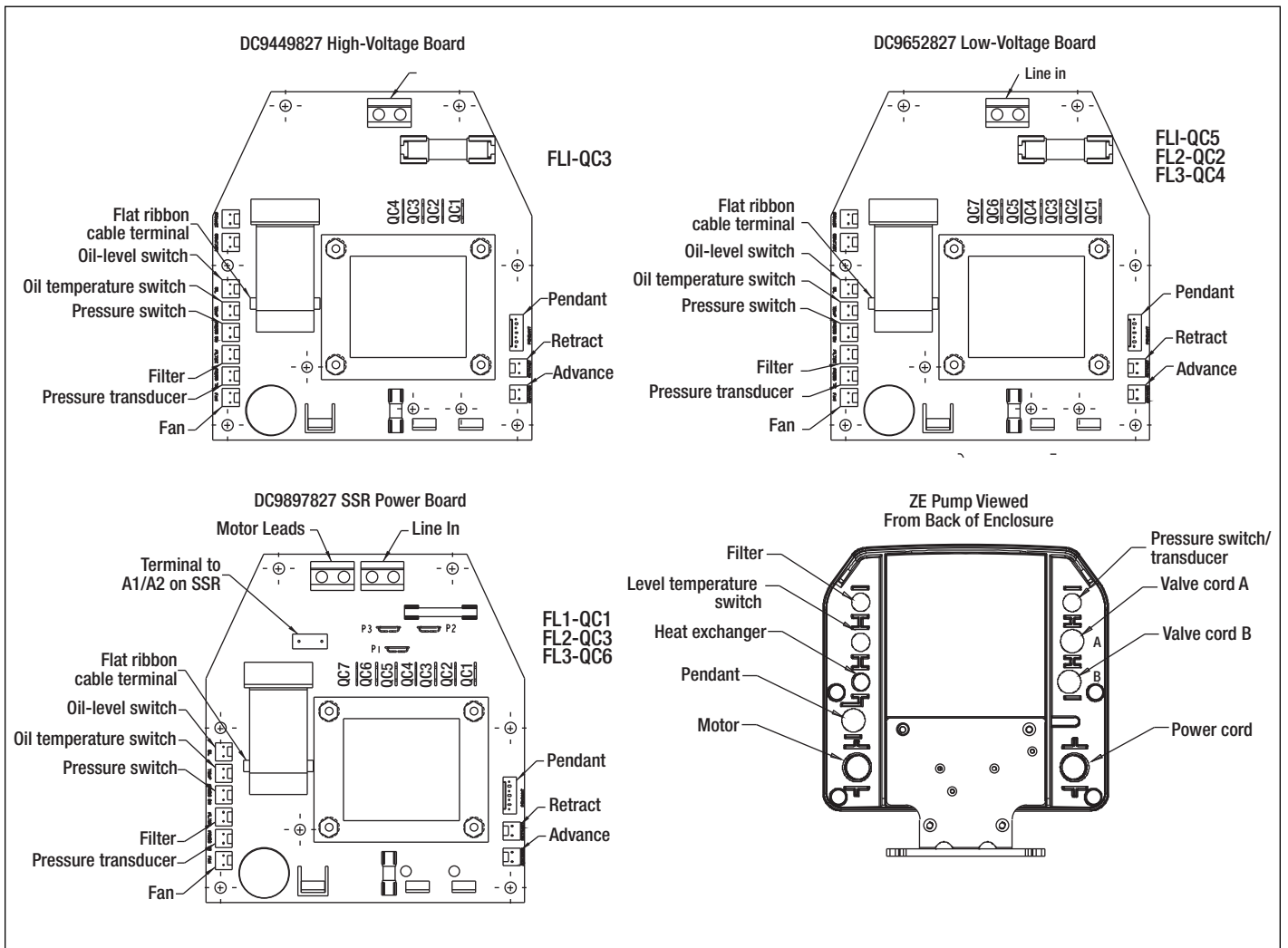
Repair Parts List for Figure 2							
Item	Part Number	Qty.	Description	Item	Part Number	Qty.	Description
12	DC3938096	2	Elbow	20	B1908503	2	O-ring
13	DC9416646	1	Hose, 23"	30	DC9418646	1	Hose, 5"
19	DC9273097	2	Fitting	126	DC9639299	2	Hose Clamp, 3/8 x 7/8



**Figure 3, ZHE-E04, ZHE-E10 Heat Exchanger**

### Repair Parts List for Figure 3

Item	Part Number	Qty.	Description	Item	Part Number	Qty.	Description
126	DC9639299	4	Hose Clamp, 3/8 x 7/8	156	DC9555471	2	Bracket
150	DC9335646	1	Hose, 8", 10-, 20- and 40 L	157	DC9554037	4	Gasket
	DC9697646	1	Hose, 6", 4- and 8 L	158	DC9576242	4	Shoulder Bolt, M8 x 20
151	DC9546471	1	Coils	159	DC9918960	1	Cable Assembly
152	PA2029097	2	Hose, Barb Elbow	160	DC3224470	1	Fan, 24 VAC
153	DC9696646	1	Hose, 17"	161	DC3227689	1	Fan Guard
155	DC9457471	1	Bracket, 10-, 20- and 40 L	162	DC9575628	2	Bolt, #8-32 x 2.50
	DC9458471	1	Bracket, 4- and 8 L				



**Figure 4, Powerboard**

## ZHE-E04 / ZHE-E10 Heat Exchanger Installation Instructions

### Be sure the pump is disconnected from the power source.

1. Remove the electrical box cover by removing the six screws that hold the cover to the electrical box with a 5 mm (3/16") Allen wrench.
2. On the LCD pump, gently pull away the connector for the ribbon cable.
3. The pump can be removed from the reservoir without removing the motor or the valve. To aid in installation of the heat exchanger, the motor, electrical box and valve may be removed.
4. Remove the 13 screws and gaskets that secure the cover plate to the reservoir using a 5 mm (3/16") Allen wrench.
5. Lift the cover plate up and remove it from the reservoir. The gasket may hold the cover plate firmly to the reservoir and it may require gentle prying with a flathead screwdriver to remove.
6. If the gasket is damaged, it will need to be replaced.
7. Remove the two SAE #8 plugs from the back of the cover plate.
8. Install the o-rings (item 20), the fittings (item 19), and the hose barb elbows (item 12) into the ports that the SAE #8 plugs were removed from (see Fig. 2).
9. Remove the by-pass hose from the pump element.
10. Install the 23" hose from the pump element to the fitting (item 19) using 2 hose clamps (item 126) as show in Fig. 2.
11. Install the 5" hose to the remaining fitting (item 19) as shown in Fig. 2. This is the return hose.
12. The cover plate can now be re-installed to the reservoir using only 11 of the 13 screws. Torque to 50–60 in-lbs. Leave out the 2 back corner screws. They will be used to mount the heat exchanger bracket to the cover plate.
13. Assemble the heat exchanger to the pump. The heat exchanger is held on the pump by the two back corner screws left off earlier. Torque the cover plate screws to 50-60 in-lbs.
14. Attach the hoses to the hose barb elbows using the hose clamps (item 126) as shown in Fig.1.
15. Install the motor, electrical box and valve if previously removed.
16. Remove the plug from the back of the electrical box and install the cord and bushing from the fan through the hole in the back of the electrical box (See Fig 4).
17. Slide the locking nut over the connector and thread on the bushing, being careful not to over tighten and crack the locking nut.
18. Remove the insulation tube from the fan pin on the power board and gently plug in the connector to the fan pin (see Fig. 4).
19. Reassemble the cover to the electrical box and test for proper operation.

### Enerpac Worldwide Locations

◆ e-mail: [info@enerpac.com](mailto:info@enerpac.com)

◆ internet: [www.enerpac.com](http://www.enerpac.com)

#### Africa

ENERPAC Middle East FZE  
Office 423, JAFZA 15  
P.O. Box 18004  
Jebel Ali, Dubai  
United Arab Emirates  
Tel: +971 (0)4 8872686  
Fax: +971 (0)4 8872687

#### Australia, New Zealand Actuant Australia Ltd.

Block V Unit 3  
Regents Park Estate  
391 Park Road  
Regents Park NSW 2143  
(P.O. Box 261) Australia  
Tel: +61 297 438 988  
Fax: +61 297 438 648

#### Brazil

Power Packer do Brasil Ltda.  
Rua dos Inocentes, 587  
04764-050 - Sao Paulo (SP)  
Tel: +55 11 5687 2211  
Fax: +55 11 5686 5583  
Toll Free in Brazil:  
Tel: 0800 891 5770  
[vendasbrasil@enerpac.com](mailto:vendasbrasil@enerpac.com)

#### Canada

Actuant Canada Corporation  
6615 Ordan Drive, Unit 14-15  
Mississauga, Ontario L5T 1X2  
Tel: +1 905 564 5749  
Fax: +1 905 564 0305  
Toll Free:  
Tel: +1 800 268 4987  
Fax: +1 800 461 2456  
Technical Inquiries:  
[techservices@enerpac.com](mailto:techservices@enerpac.com)

#### China

Actuant Industries Co. Ltd.  
No. 6 Nanjing Road  
Taicang Economic Dep Zone  
Jiangsu, China  
Tel: +86 0512 5328 7529  
+86 0512 5328 7500 7529  
Fax: +86 0512 5335 9690

#### Actuant China Ltd. (Peking)

709B Diyang Building  
Xin No. 2  
Dong San Huan North Rd.  
Beijing City  
100028 China  
Tel: +86 10 845 36166  
Fax: +86 10 845 36220

#### France, Switzerland francophone

ACTUANT - ENERPAC  
France S.A., ZA de Courtaboeuf  
32, avenue de la Baltique  
91140 Villebon / Yvette  
France  
Tel: +33 1 60 13 68 68  
Fax: +33 1 69 20 37 50

#### Germany, Austria, Switzerland, Greece, Baltic States, Central and Eastern Europe

ENERPAC GmbH  
P.O. Box 300113  
D-40401 Düsseldorf  
Willstätterstrasse13  
D-40549 Düsseldorf  
Germany  
Tel: +49 211 471 490  
Fax: +49 211 471 49 28

#### India

ENERPAC Hydraulics  
(India) Pvt. Ltd.  
No. 1A,  
Peenya Industrial Area,  
IInd Phase  
Bangalore, 560 058 India  
Tel: +91 80 40 792 777  
Fax: +91 80 40 792 792

#### Italy

ENERPAC S.p.A.  
Via Canova 4  
20094 Corsico (Milano)  
Tel: +39 02 4861 111  
Fax: +39 02 4860 1288

#### Japan

Applied Power Japan LTD KK  
Besshochou 85-7  
Kita-ku,  
Saitama-shi 331-0821  
Japan  
Tel: +81 48 662 4911  
Fax: +81 48 662 4955

#### Middle East, Turkey and Caspian Sea

ENERPAC Middle East FZE  
Office 423, JAFZA 15  
P.O. Box 18004  
Jebel Ali, Dubai  
United Arab Emirates  
Tel: +971 (0)4 8872686  
Fax: +971 (0)4 8872687

#### Russia and CIS (excl. Caspian Sea Countries)

Actuant LLC  
Admiral Makarov Street 8  
125212 Moscow, Russia  
Tel: +7-495-9809091  
Fax: +7-495-9809092

#### Sweden, Denmark, Norway, Finland and Iceland

ENERPAC Scandinavia AB  
Fabriksgatan 7  
412 50 Gothenburg  
Sweden  
Tel: +46 31 7990281  
Fax: +46 31 7990010  
[scandinavianinquiries@enerpac.com](mailto:scandinavianinquiries@enerpac.com)

#### Singapore

Actuant Asia Pte. Ltd.  
37C, Benoi Road Pioneer Lot,  
Singapore 627796  
Tel: +65 68 63 0611  
Fax: +65 64 84 5669  
Toll Free: +1800 363 7722  
Technical Inquiries:  
[tech.service-sg@enerpac.com](mailto:tech.service-sg@enerpac.com)

#### South Korea

Actuant Korea Ltd.  
3Ba 717,  
Shihwa Industrial Complex  
Jungwang-Dong, Shihung-Shi,  
Kyunggi-Do  
Republic of Korea 429-450  
Tel: +82 31 434 4506  
Fax: +82 31 434 4507

#### Spain and Portugal

ENERPAC SPAIN, S.L.  
Avda. Los Frailes, 40 – Nave C  
& D  
Pol. Ind. Los Frailes  
28814 DAGANZO DE ARRIBA  
(Madrid)  
Spain  
Tel: +34 91 884 86 06  
Fax: +34 91 884 86 11

#### Sweden, Denmark, Norway, Finland and Iceland

Enerpac Scandinavia AB  
Fabriksgatan 7  
412 50 Gothenburg  
Sweden  
Tel: +46 (0) 31 7990281  
Fax: +46 (0) 31 7990010  
Inquiries:  
[Scandinavianinquiries@enerpac.com](mailto:Scandinavianinquiries@enerpac.com)

#### The Netherlands, Belgium, Luxembourg

ENERPAC B.V.  
Galvanistraat 115, 6716 AE Ede  
P.O. Box 8097, 6710 AB Ede  
The Netherlands  
Tel: +31 318 535 800  
Fax: +31 318 525 613  
+31 318 535 848  
[beneluxinquiries@enerpac.com](mailto:beneluxinquiries@enerpac.com)  
Technical Inquiries Europe:  
[techsupport.europe@enerpac.com](mailto:techsupport.europe@enerpac.com)

#### United Kingdom, Ireland

**Enerpac Ltd**  
Bentley Road South  
Darlaston, West Midlands  
WS10 8LQ, United Kingdom  
Tel: +44 (0)121 50 50 787  
Fax: +44 (0)121 50 50 799

#### USA, Latin America and Caribbean

ENERPAC  
P.O. Box 3241  
6100 N. Baker Road  
Milwaukee, WI 53209 USA  
Tel: +1 262 781 6600  
Fax: +1 262 783 9562

#### User inquiries:

+1 800 433 2766  
Inquiries/orders:  
+1 800 558 0530  
Technical Inquiries:  
[techservices@enerpac.com](mailto:techservices@enerpac.com)

#### ENERPAC

704 W. Simonds  
Dallas, TX 75159 USA  
Tel: +1 972 287 2390  
Fax: +1 972 287 4469

09/30/09

All Enerpac products are guaranteed against defects in workmanship and materials for as long as you own them. For your nearest authorized Enerpac Service Center, visit us at [www.enerpac.com](http://www.enerpac.com)