

# Specification

Units:

**Imperial**

Metric

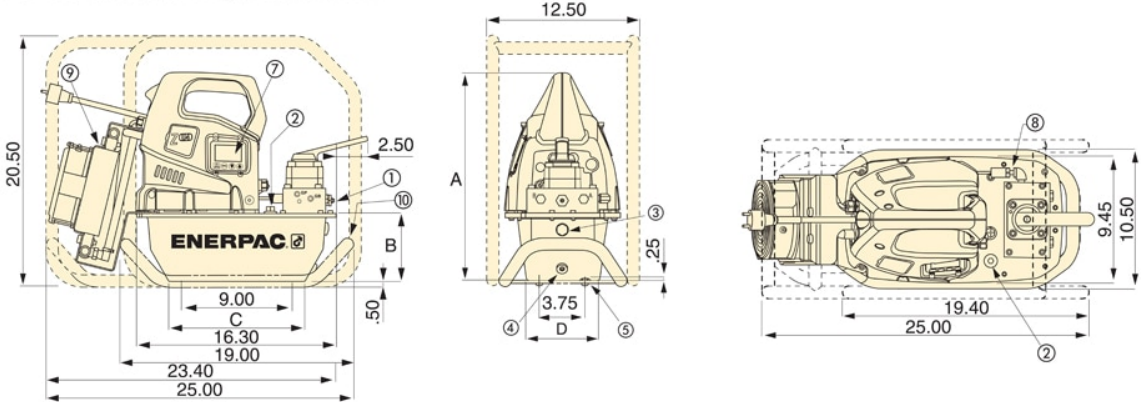
Maximum Operating Pressure (psi)	10,000
Cylinder Compatability	Single-acting
Reservoir Capacity (in <sup>3</sup> )	416
Usable Oil Capacity (gal)	2
Maximum Flow at Rated Pressure	60 in <sup>3</sup> /min
Output Flow Rate (in <sup>3</sup> /min) 100 psi	700
Output Flow Rate (in <sup>3</sup> /min) 700 psi	535
Output Flow Rate (in <sup>3</sup> /min) 5000 psi	76
Output Flow Rate (in <sup>3</sup> /min) 10000 psi	60
Motor Size (hp)	1.7
Motor Hertz	50/60 Hz
Motor Phases	1 Ph
Motor Voltage	115 V
Duty Cycle	Intermittent
Valve Function	Advance / Retract
Valve Operation	Solenoid
Solenoid Valve Voltage	24 VCC
Valve Type	3-way, 2-position
Valve Model	VE32D
Power Source	Electric
Pump Operation	Dump
Pump Control	Pendant
Motor Electrical Specification	115 V, 1 Ph, 50/60 Hz
Sound Level (dBa)	85 - 90
Relief Valve Adjustment Range (psi)	2,000 - 10,000
Weight (lbs)	73

# Dimensions

Units: **Imperial** Metric

Dimension A (in)	16.7
Dimension B (in)	5.6
Dimension C (in)	11
Dimension D (in)	8.1

ZU-4 Series with 1 and 2 gallon reservoirs



- ① User adjustable relief valve
- ② Oil fill port, SAE#10
- ③ Oil level sight gauge
- ④ Oil Drain, 1/2" NPTF
- ⑤ M8 x 1.25
- ⑥ Handles on all 10, 20 and 40-liter reservoirs

- Factory installed features and options**
- ⑦ Back-lit LCD Electric
  - ⑧ Pressure transducer
  - ⑨ Heat exchanger
  - ⑩ Skid bar
  - ⑪ Handle guard installed on all 10, 20 and 40-liter reservoirs
  - ⑫ Reservoir handles included on all 10, 20 and 40-liter reservoirs