

# Specification

Units:

**Imperial**

Metric

Maximum Operating Pressure (psi)	10,000
Cylinder Compatability	Single-acting
Reservoir Capacity (in <sup>3</sup> )	1,201
Usable Oil Capacity (gal)	5
Maximum Flow at Rated Pressure	60 in <sup>3</sup> /min
Output Flow Rate (in <sup>3</sup> /min) 100 psi	700
Output Flow Rate (in <sup>3</sup> /min) 700 psi	535
Output Flow Rate (in <sup>3</sup> /min) 5000 psi	76
Output Flow Rate (in <sup>3</sup> /min) 10000 psi	60
Motor Size (hp)	1.7
Motor Hertz	50/60 Hz
Motor Phases	1 Ph
Motor Voltage	115 V
Duty Cycle	Intermittent
Valve Function	Advance / Retract
Valve Operation	Solenoid
Solenoid Valve Voltage	24 VCC
Valve Type	3-way, 2-position
Valve Model	VE32D
Power Source	Electric
Pump Operation	Dump
Pump Control	Pendant
Motor Electrical Specification	115 V, 1 Ph, 50/60 Hz
Sound Level (dBa)	85 - 90
Relief Valve Adjustment Range (psi)	2,000 - 10,000
Weight (lbs)	112

# Dimensions

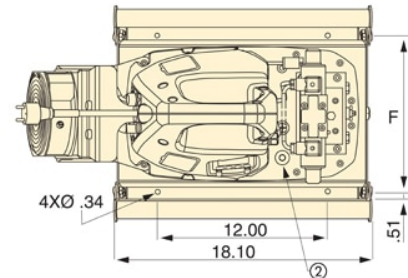
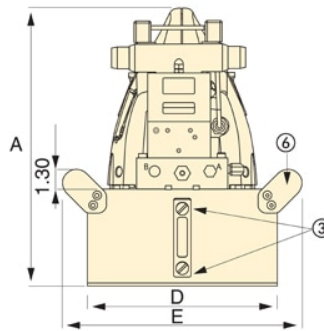
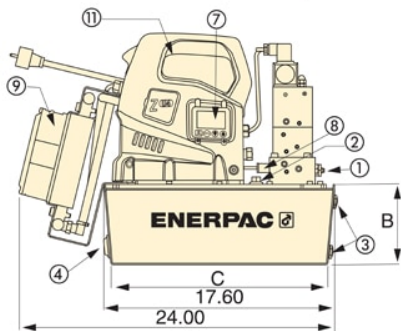
Units:

**Imperial**

Metric

Dimension A (in)	18.3
Dimension B (in)	7.1
Dimension C (in)	16.5
Dimension D (in)	16.6
Dimension E (in)	19.7
Dimension F (in)	15.6

## ZU-4 Series with 2.5, 5.0 and 10.0 gallon reservoirs (Left view shown without side handle)



- ① User adjustable relief valve
- ② Oil fill port, SAE#10
- ③ Oil level sight gauge
- ④ Oil Drain, 1/2" NPTF
- ⑤ M8 x 1.25
- ⑥ Handles on all 2.5, 5.0, and 10.0-gallon reservoirs

### Factory installed features and options

- ⑦ Back-lit LCD Electric
- ⑧ Pressure transducer
- ⑨ Heat exchanger
- ⑩ Skid bar
- ⑪ Handle guard installed on all 2.5, 5, and 10-gallon reservoirs
- ⑫ Reservoir handles included on all 2.5, 5 and 10-gallon pumps