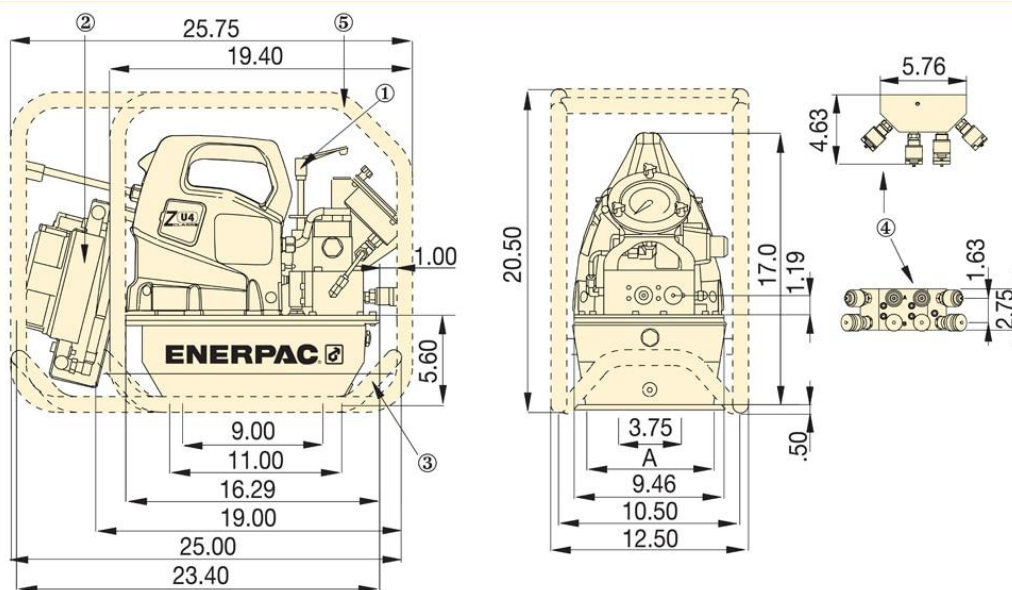


Specifications

Units: **Imperial** Metric

| | |
|---|--|
| Maximum Operating Pressure (psi) | 10,000 |
| For Use With Torque Wrenches | For use with all Enerpac torque wrenches |
| Reservoir Capacity (in ³) | 277 |
| Usable Oil Capacity (gal) | 1 |
| Maximum Flow at Rated Pressure | 60 in ³ /min |
| Output Flow Rate (in ³ /min) 100 psi | 700 |
| Output Flow Rate (in ³ /min) 700 psi | 535 |
| Output Flow Rate (in ³ /min) 5000 psi | 76 |
| Output Flow Rate (in ³ /min) 10000 psi | 60 |
| Motor Size (hp) | 1.7 |
| Motor Hertz | 50/60 Hz |
| Motor Phases | 1 Ph |
| Motor Voltage | 115 V |
| Duty Cycle | Intermittent |
| Valve Operation | Solenoid |
| Valve Type | 4-way, 2-position |
| Power Source | Electric |
| Pump Control | Pendant |
| Motor Electrical Specification | 115 V, 1 Ph, 50/60 Hz |
| Weight (lbs) | 73 |



ZU4-Series Torque Wrench Pumps

Dimensions shown in inches

- ① User adjustable relief valve
- ② Heat exchanger (optional)
- ③ Skidbar (optional)
- ④ 4-wrench manifold (optional)
- ⑤ Roll cage (optional)