

# Specification

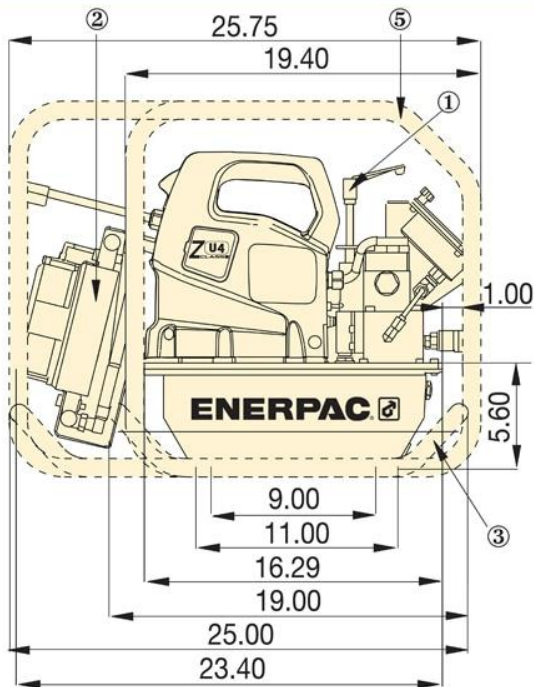
Units:

**Imperial**

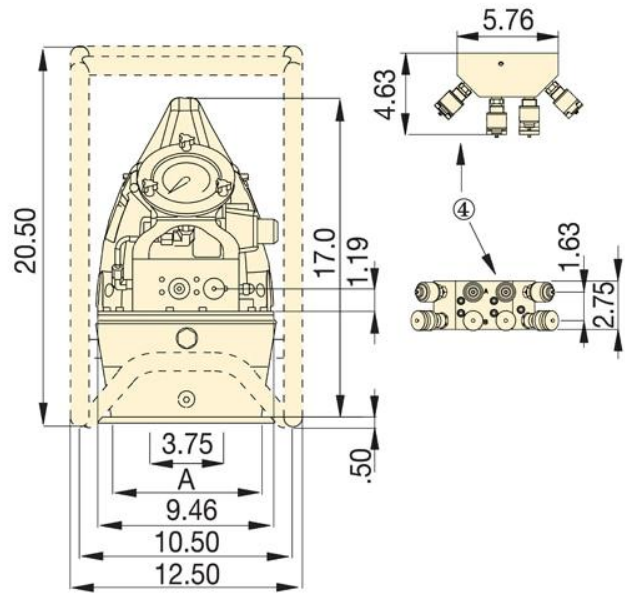
Metric

For Use With Torque Wrenches	For use with all Enerpac torque wrenches
Reservoir Capacity (in <sup>3</sup> )	416
Usable Oil Capacity (gal)	1.75
Maximum Flow at Rated Pressure	60 in <sup>3</sup> /min
Output Flow Rate (in <sup>3</sup> /min) 100 psi	700
Output Flow Rate (in <sup>3</sup> /min) 700 psi	535
Output Flow Rate (in <sup>3</sup> /min) 5000 psi	76
Output Flow Rate (in <sup>3</sup> /min) 10000 psi	60
Motor Size (hp)	1.7
Motor Hertz	50/60 Hz
Motor Phases	1 Ph
Motor Voltage	115 V
Duty Cycle	Intermittent
Valve Operation	Solenoid
Valve Type	4-way, 2-position
Power Source	Electric
Pump Control	Pendant
Motor Electrical Specification	115 V, 1 Ph, 50/60 Hz

# Dimensions



**ZU4-Series Torque Wrench Pumps**



Dimensions shown in inches

- ① User adjustable relief valve
- ② Heat exchanger (optional)
- ③ Skidbar (optional)
- ④ 4-wrench manifold (optional)
- ⑤ Roll cage (optional)