

L2628 Rev. B 02/07

**To Protect Your Warranty, Use Only ENERPAC Hydraulic Oil.**

Enerpac recommends that all kit components be installed to insure optimum performance of the repaired product.

**Index:**

English.....	1-3
Français.....	N/A
Deutsch.....	N/A
Italiano.....	N/A
Español.....	N/A
Nederlands.....	N/A
Portuguese.....	N/A
Finnish.....	N/A
Norwegian.....	N/A
Swedish.....	N/A
中文.....	N/A
日本語.....	N/A

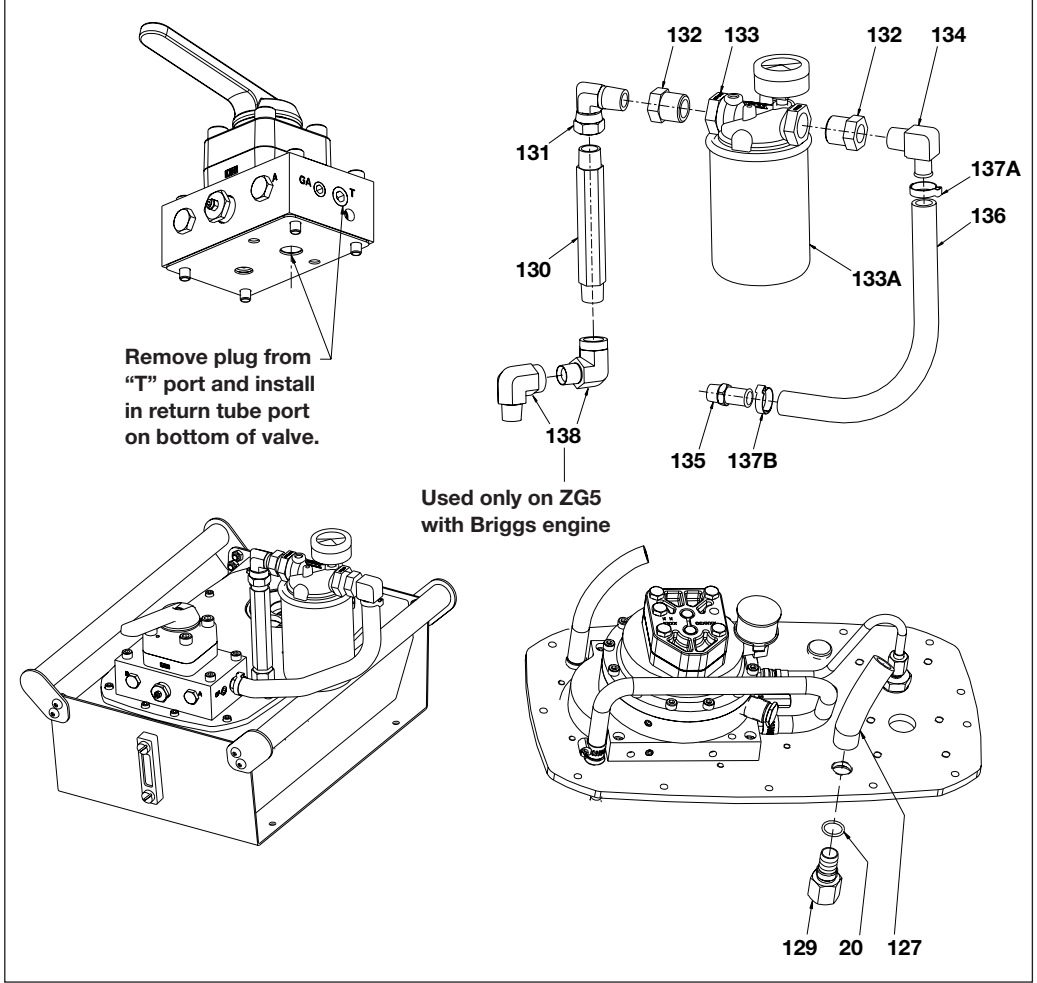


Figure 1 - ZPF High Flow Filter Kit

**Repair Parts List for Figure 1**

Item	Part Number	Qty.	Description	Item	Part Number	Qty.	Description
20	B1908503	1	O-Ring	133A	DC3076118	1	Filter Element - PF25
127	DC8046646	1	Hose, Return 5/8"	134	DC8036038	1	Fitting, 90° 1/2" NPT to 5/8"
129	DC8035038	1	Adapter, 5/8" hose, 1/2 NPT	135	DC8184097	1	Fitting, 5/8" Hose to 3/8" NPT
130	DC8120268	1	Steel Pipe, 1/2"	136	DC8188646	1	Hose, 5/8", 10.5" Long
131	DC8126095	1	Sw Fitting, 90° Elbow, 1/2"	137A	DC8038299	1	Clamp, Hose
132	F100095-50	2	Reducer, 3/4" NPT to 1/2" NPT	137B	DC8038299	1	Clamp, Hose
133	DC3077900	1	Filter Head and Gauge Assy	138	★ F100095-45	2	Fitting, 90°

**Note:** Parts shown above are included in the ZPF High Flow Filter Kit. This kit is to be used on pumps manufactured after March 1, 2007. When ordering filter parts for older pumps, refer to Figure 2 on the next page.

★ Used only on Model ZG5 with Briggs Engine.

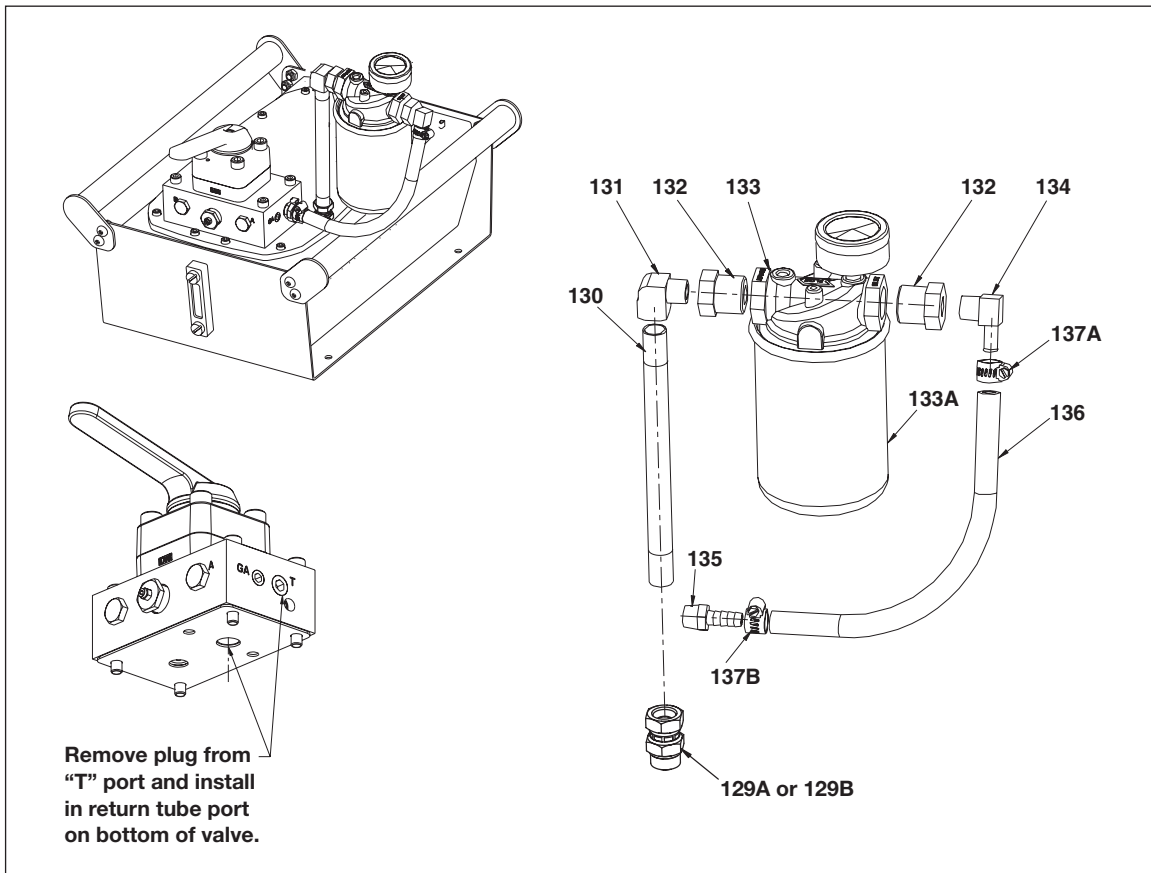


Figure 2 - ZPF Standard Filter Kit

Repair Parts List for Figure 2			
Item	Part Number	Qty.	Description
129A	DC1453096	1	Adapter, 3/8" NPTF to 3/8" NPTF
129B	DC9890096	1	Adapter, 3/8" NPTF to SAE #8
130	DC3074768	1	Steel Tube
131	CN330096	1	Swivel Fitting, 90° Elbow, 1/2"
132	F100095-26	2	Adapter 3/8" NPTF Female to 1/2" NPTF Male
133	DC3077900	1	Filter Head and Gauge Assy
133A	DC3076118	1	Filter Element, 25 Micron - PF25
134	PA2029097	1	Fitting, 90° 1/2" NPT to 5/8" hose
135	F10097-17	1	Fitting, 5/8" Hose, Straight 3/8" NPT
136	DC9643646	1	Hose, 5/8", 13" Long
137A	DC9639299	1	Clamp, Hose 3/8" - 7/8"
137B	DC9639299	1	Clamp, Hose 3/8" - 7/8"

**Note:** Parts shown above are included in the ZPF Standard Filter Kit. Effective March 1, 2007, this kit will be replaced by the ZPF High Flow Filter Kit shown in Figure 1.

## OIL FILTER KIT ASSEMBLY INSTRUCTIONS

### ZPF High Flow Only:

Assemble the ZPF High Flow Filter Kit as described in the following steps. Refer to Figure 1 for part descriptions and locations.

**Note:** Use Loctite #592 on all pipe threads. Items 130-136 are pre-assembled at the factory prior to shipment.

1. Remove the valve from the pump cover plate. Remove the return tube (not shown) from bottom of valve. Discard the return tube.
2. Remove the 3/8" NPTF plug from the "T" port on the side of the valve and thread it into the bottom of the valve block in place of the return tube.
3. Thread the hose fitting (item 135) into the "T" port on the side of the valve that the plug was removed from in step 2.
4. Reinstall the valve onto the pump cover plate.
5. Remove the SAE #8 plug from the top of the cover plate. Install O-ring (item 20) and adapter fitting (item 129).
6. Remove the pump assembly from the reservoir.
7. Press the hose (item 127) onto the adapter fitting (item 129).
8. Reinstall the pump assembly onto the reservoir.
9. All models except ZG5 with Briggs engine: Thread the steel pipe (item 130) into the adapter fitting (item 129).
10. Model ZG5 with Briggs engine only: Thread the first elbow (item 138) into the adapter fitting (item 129). Install the second elbow (item 138). Thread the steel pipe (item 130) into the second elbow.
11. Tighten the swivel fitting (item 131) onto the steel pipe (item 130).
12. Place the hose clamp (item 137B) around the hose (item 136). Press the hose onto the hose fitting (item 135) at the valve block.
13. Tighten the hose clamp (item 137B).
14. Operate the pump and check for leaks.

### ZPF Standard Only:

Assemble the ZPF Standard Filter Kit as described in the following steps. Refer to Figure 2 for part descriptions and locations.

**Note:** Use Loctite #592 on all pipe threads. Items 130-136 are pre-assembled at the factory prior to shipment.

1. Remove the valve from the pump cover plate. Remove the return tube (not shown) from bottom of valve. Discard the return tube.
2. Remove the 3/8" NPTF plug from the "T" port on the side of the valve and thread it into the bottom of the valve block in place of the return tube.
3. Thread the hose fitting (item 135) into the "T" port on the side of the valve that the plug was removed from in step 2.
4. Reinstall the valve onto the pump cover plate.
5. Remove the plug (3/8" NPTF or SAE #8) from the top of the cover plate. Thread the adapter fitting (item 129A or 129B) into the open port.
6. Thread the steel tube (item 130) into the adapter fitting (item 129A or 129B).
7. Place the hose clamp (item 137B) around the hose (item 136). Press the hose onto the hose fitting (item 135) at the valve block.
8. Tighten the hose clamp (item 137B).
9. Operate the pump and check for leaks.

## Enerpac Worldwide Locations

### Africa

ENERPAC Middle East FZE  
P.O. Box 18004  
Jebel Ali, Dubai  
United Arab Emirates  
Tel: +971 (0)4 8872686  
Fax: +971 (0)4 8872687

### Australia

Actuant Australia Ltd.  
Block V Unit 3  
Regents Park Estate  
391 Park Road  
Regents Park NSW 2143  
(P.O. Box 261) Australia  
Tel: +61 297 438 988  
Fax: +61 297 438 648

### Brazil

Power Packer do Brasil Ltda.  
Rua dos Inocentes, 587  
04764-050 - Sao Paulo (SP)  
Tel: +55 11 5687 2211  
Fax: +55 11 5686 5583  
**Toll Free in Brazil:**  
Tel: 0800 891 5770  
vendasbrasil@enerpac.com

### Canada

Actuant Canada Corporation  
6615 Ordan Drive, Unit 14-15  
Mississauga, Ontario L5T 1X2  
Tel: +1 905 564 5749  
Fax: +1 905 564 0305  
**Toll Free:**  
Tel: +1 800 268 4987  
Fax: +1 800 461 2456  
**Technical Inquiries:**  
techservices@enerpac.com

### China

Actuant China Ltd.  
1F, 269 Fute N. Road  
Waigaoqiao Free Trade Zone  
Pudong New District  
Shanghai, 200 131 China  
Tel: +86 21 5866 9099  
Fax: +86 21 5866 7156

Actuant China Ltd. (Beijing)  
709B Diyang Building  
Xin No. 2  
Dong San Huan North Rd.  
Beijing City  
100028 China  
Tel: +86 10 845 36166  
Fax: +86 10 845 36220

### Central and Eastern Europe, Greece

ENERPAC B.V.  
Galvanistraat 115  
P.O. Box 8097  
6710 AB Ede  
The Netherlands  
Tel: +31 318 535 936  
Fax: +31 318 535 951

### France, Switzerland francophone

ENERPAC  
Une division de ACTUANT  
ZA de Courtaboeuf  
32, avenue de la Baltique  
91140 VILLEBON /YVETTE  
France  
Tel: +33 1 60 13 68 68  
Fax: +33 1 69 20 37 50

◆ e-mail: [info@enerpac.com](mailto:info@enerpac.com)

### Germany, Austria, Greece and Switzerland

ENERPAC GmbH  
P.O. Box 300113  
D-40401 Düsseldorf  
Germany  
Tel: +49 211 471 490  
Fax: +49 211 471 49 28

### India

ENERPAC Hydraulics  
(India) Pvt. Ltd.  
Office No. 9,10 & 11,  
Plot No. 56, Monarch Plaza,  
Sector 11, C.B.D. Belapur  
Navi Mumbai 400614, India  
Tel: +91 22 2756 6090  
Tel: +91 22 2756 6091  
Fax: +91 22 2756 6095

### Italy

ENERPAC S.p.A.  
Via Canova 4  
20094 Corsico (Milano)  
Tel: +39 02 4861 111  
Fax: +39 02 4860 1288

### Japan

Applied Power Japan Ltd.  
Besshochou 85-7  
Saitama-shi, Kita-ku,  
Saitama 331-0821  
Japan  
Tel: +81 48 662 4911  
Fax: +81 48 662 4955

### Middle East, Turkey and Caspian Sea

ENERPAC Middle East FZE  
P.O. Box 18004  
Jebel Ali, Dubai  
United Arab Emirates  
Tel: +971 (0)4 8872686  
Fax: +971 (0)4 8872687

### Russia and CIS (excl. Caspian Sea Countries)

Actuant LLC  
Admiral Makarov Street 8  
125212 Moscow, Russia  
Tel: +7-495-9809091  
Fax: +7-495-9809092

### Singapore

Actuant Asia Pte. Ltd.  
25 Serangoon North Ave. 5  
#03-01 Keppel Digihub  
Singapore 554914  
Thomson Road  
P.O. Box 114  
Singapore 915704  
Tel: +65 64 84 5108  
+65 64 84 3737  
Fax: +65 64 84 5669  
Toll Free: +1800 363 7722  
**Technical Inquiries:**  
techsupport@enerpac.com.sg

### South Korea

Actuant Korea Ltd.  
3Ba 717,  
Shihwa Industrial Complex  
Jungwang-Dong, Shihung-Shi,  
Kyunggi-Do  
Republic of Korea 429-450  
Tel: +82 31 434 4506  
Fax: +82 31 434 4507

◆ internet: [www.enerpac.com](http://www.enerpac.com)

### Spain and Portugal

ENERPAC  
C/San José Artesano 8  
Pol. Ind.  
28108 Alcobendas  
(Madrid) Spain  
Tel: +34 91 661 11 25  
Fax: +34 91 661 47 89

### The Netherlands, Belgium, Luxembourg, Sweden, Denmark, Norway, Finland and Baltic States

ENERPAC B.V.  
Galvanistraat 115  
P.O. Box 8097, 6710 AB Ede  
The Netherlands  
Tel: +31 318 535 911  
Fax: +31 318 525 613  
+31 318 535 848

**Technical Inquiries Europe:**  
techsupport.europe@enerpac.com

### United Kingdom, Ireland

Enerpac Ltd  
Bentley Road South  
Darlaston, West Midlands  
WS10 8LQ, United Kingdom  
Tel: +44 (0)121 50 50 787  
Fax: +44 (0)121 50 50 799

### USA, Latin America and Caribbean

ENERPAC  
P.O. Box 3241  
6100 N. Baker Road  
Milwaukee, WI 53209 USA  
Tel: +1 262 781 6600  
Fax: +1 262 783 9562

**Inquiries/orders:**

+1 800 558 0530  
**Technical Inquiries:**  
techservices@enerpac.com

All Enerpac products are guaranteed against defects in workmanship and materials for as long as you own them. For your nearest authorized Enerpac Service Center, visit us at [www.enerpac.com](http://www.enerpac.com)