



Repair Parts Sheet

Pow'r Riser Lifting Jacks PR Series - 100 Ton Electric Models

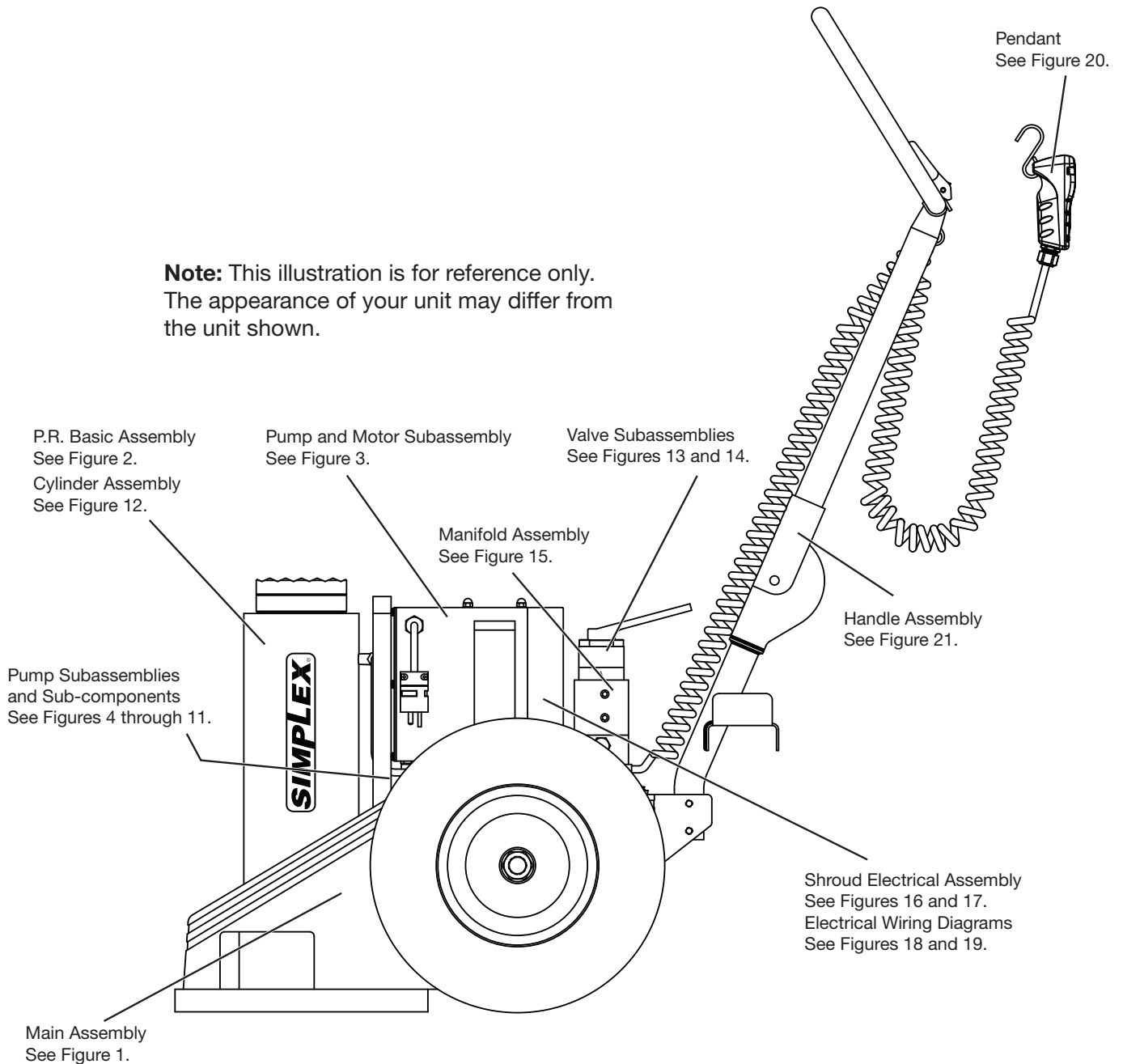
TD156 Rev. C 02/20

For Date Codes Beginning with the Letter "B"

To Protect Your Warranty, Use Only SIMPLEX Hydraulic Oil.

Simplex recommends that all kit components be installed to insure optimum performance of the repaired product.

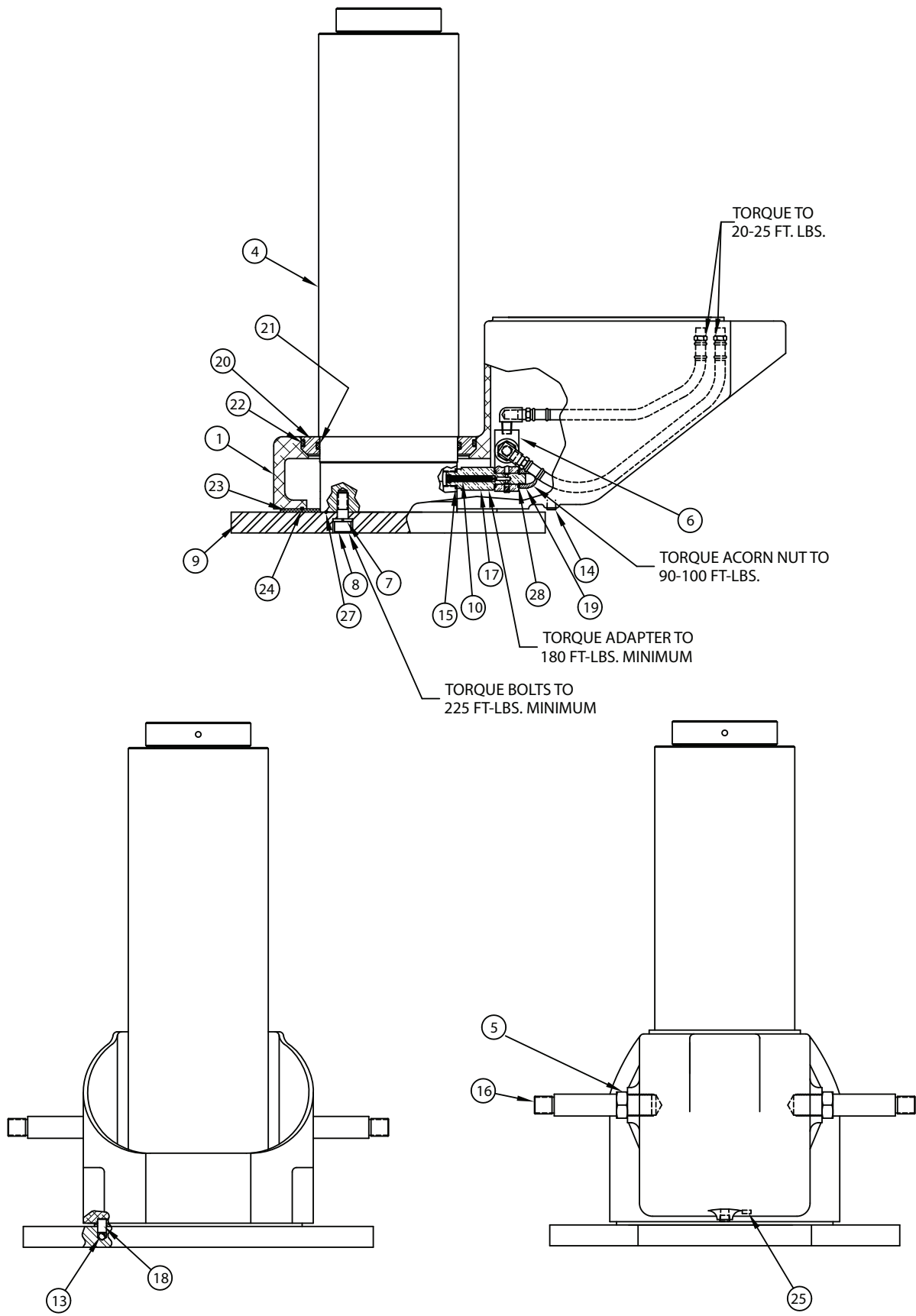
Note: This illustration is for reference only.
The appearance of your unit may differ from
the unit shown.



Repair Parts List (Refer to figure 1)						
Item	Model				Qty.	Description
	JE10026 115 Volt	JE10037 115 Volt	JE10026A 230 Volt	JE10037A 230 Volt		
1	41939SS	42408SS	41939SS	42408SS	1	PR Basic Asm (See Fig 2)
2	DS1069900SS	DS1069900SS	DS1072900SS	DS1072900SS	1	Subassembly, Pump and Motor (see Figure 3)
4	S88743	S88743	S88743	S88743	1	Plug Hex O-Ring
6	S85469	S85469	S85469	S85469	1	Gasket
9	89292	89292	89292	89292	1	Decal, Warning PWR R
10	S69429	S69429	S69429	S69429	14	Screw 1/4-20 x 3/4" St
11	S42358	N/A	S42358	N/A	1	Lifting Bar 24" PR
12	S40085	S40085	S40085	S40085	1	Male Elbow 3/8-3/8"
13	S42363	N/A	S42363	N/A	4	HCS 5/16-18 x 1.25" Plt.
14	S93942	N/A	S93942	N/A	4	Lock Washer 5/16"
15	S42365	N/A	S42365	N/A	2	Nut Plt - Lift Bar
17	S42208	S42208	S42208	S42208	1	Load Cap PR Long Stm
18	89967	89967	89967	89967	1	Simplex Logo - Large
22	S42367	S42367	S42367	S42367	2	S-Hook, Pendant
23	S42531	S42531	S42531	S42531	1	Label 100 Ton Capacity
24	42432	42433	45715	45608	1	Model Label
25	S86027	S86027	S86027	S86027	1	Control Valve Plate
26	41944SS	41944SS	41944SS	41944SS	2	Tire/Rim Assembly
27	S41945	S41945	S41945	S41945	2	Spacer
28	41961SS	41961SS	41961SS	41961SS	1	Handle Assembly
29	S43021	N/A	S43021	N/A	2	Square Hole Plug PR
30	S46053	S46053	S46053	S46053	2	1"-8 Hex Lock Nut
34	41979S	S42412	41979S	S42412	1	Tube
35	S41983	S41983	S41983	S41983	1	Screw Shoulder
36	S46359	S46359	S46359	S46359	1	Decal Overlay
37	S41598	S41598	S41598	S41598	1	Lower Weldment 4" PR
38	84692	84692	84692	84692	2	SHC 3/8-16 x 1.75"

N/A = Not Available.

Figure 2 - 41939SS, 42408SS Pow'r Riser Basic Assembly

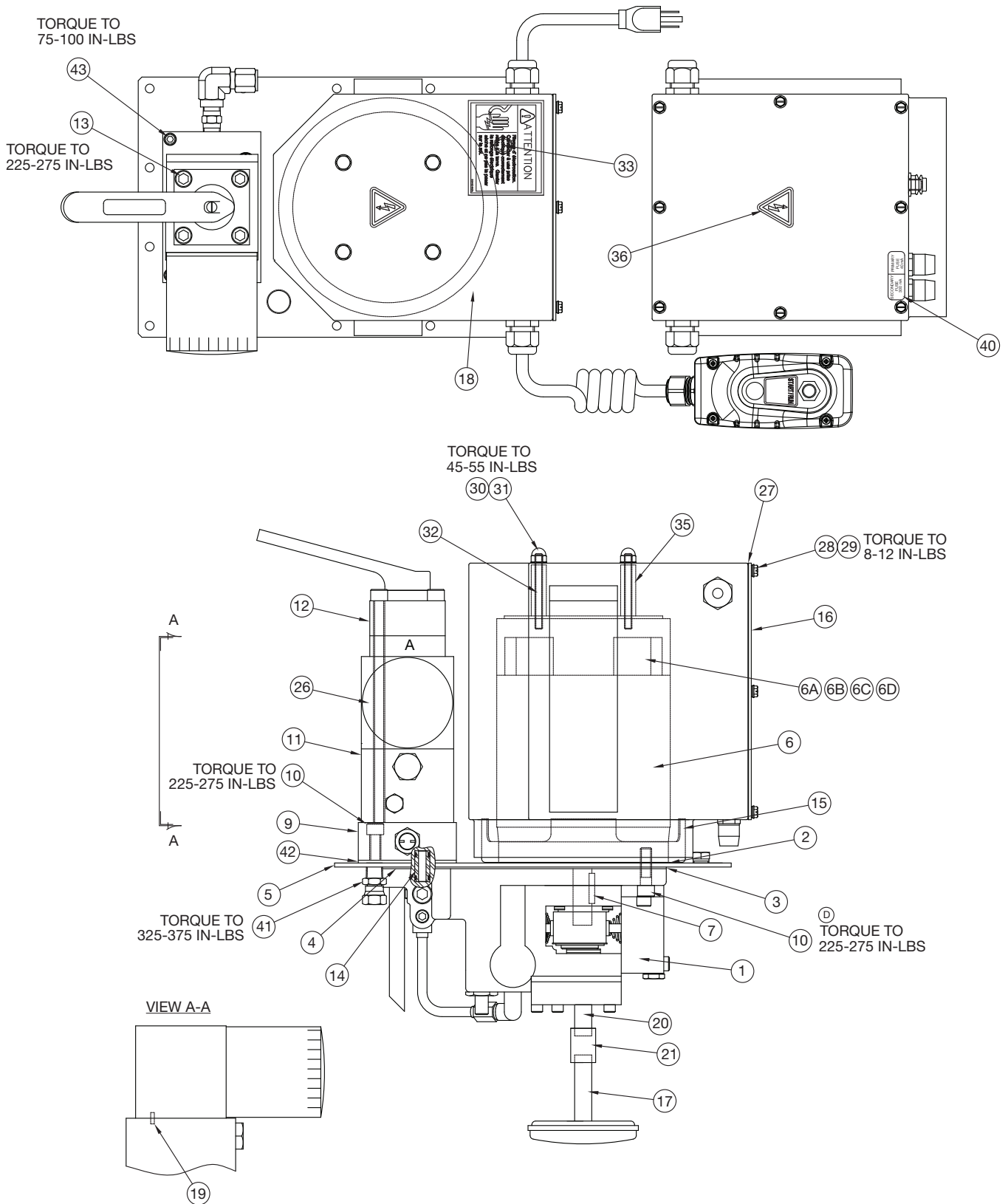


Repair Parts List (Refer to figure 2)						
Item	Model				Qty.	Description
	JE10026 115 Volt	JE10037 115 Volt	JE10026A 230 Volt	JE10037A 230 Volt		
BASIC ASSY	41939SS	42408SS	41939SS	42408SS		
1	S41886	S41886	S41886	S41886	1	Housing Mach P. R.
4	41917SS	42435SS	41917SS	42435SS	1	100 Ton Cylinder Assy.
5	S85477	S85477	S85477	S85477	2	Jam Nut
6	42353SS	42353SS	42353SS	42353SS	1	O.C. Valve and Hoses
7	S93947	S93947	S93947	S93947	6	Lock Washer 5/8"
8	S93605	S93605	S93605	S93605	6	SHCS 5/8-11 x 1.5" Lg.
9	S41941	S43788	S41941	S43788	1	100 Ton P.R. Base
10	S89754	S89754	S89754	S89754	1	Screen - 2" Nipple
13	S44968	S44968	S44968	S44968	2	Rubber Ball 3/8" 70
14	S93950	S93950	S93950	S93950	1	1/4" Soc Pipe Plug
15	◆	◆	◆	◆	1	Gasket Adapter
16	S41948	S41948	S41948	S41948	2	Axle Shaft
17	S41942	S41942	S41942	S41942	1	Adapter O.C. Valve
18	S42275	S42275	S42275	S42275	2	PR Base Pin
19	S46740	S46740	S46740	S46740	1	Acorn Nut 5/8-11
20	S41940	S41940	S41940	S41940	1	Ring 100 Ton
21	◆	◆	◆	◆	1	O-Ring 6-3/4 x 7-1/4"
22	◆	◆	◆	◆	1	O-Ring 9" x 9-1/2"
23	◆	◆	◆	◆	1	Gasket Base
24	◆	◆	◆	◆	1	O-Ring Power Riser
25	66021	66021	66021	66021	1	Magnet
27	◆	◆	◆	◆	1	O-Ring 6" x 6-1/4"
28	S68183	S68183	S68183	S68183	2	Gasket Plug
◆ Included in 54411 Repair Kit.						

Figure 3 - Pump and Motor Sub-Assembly

DS1069900SS (115 VAC - See Fig. 16A for electrical parts list. See Fig. 19 for wiring diagram.)

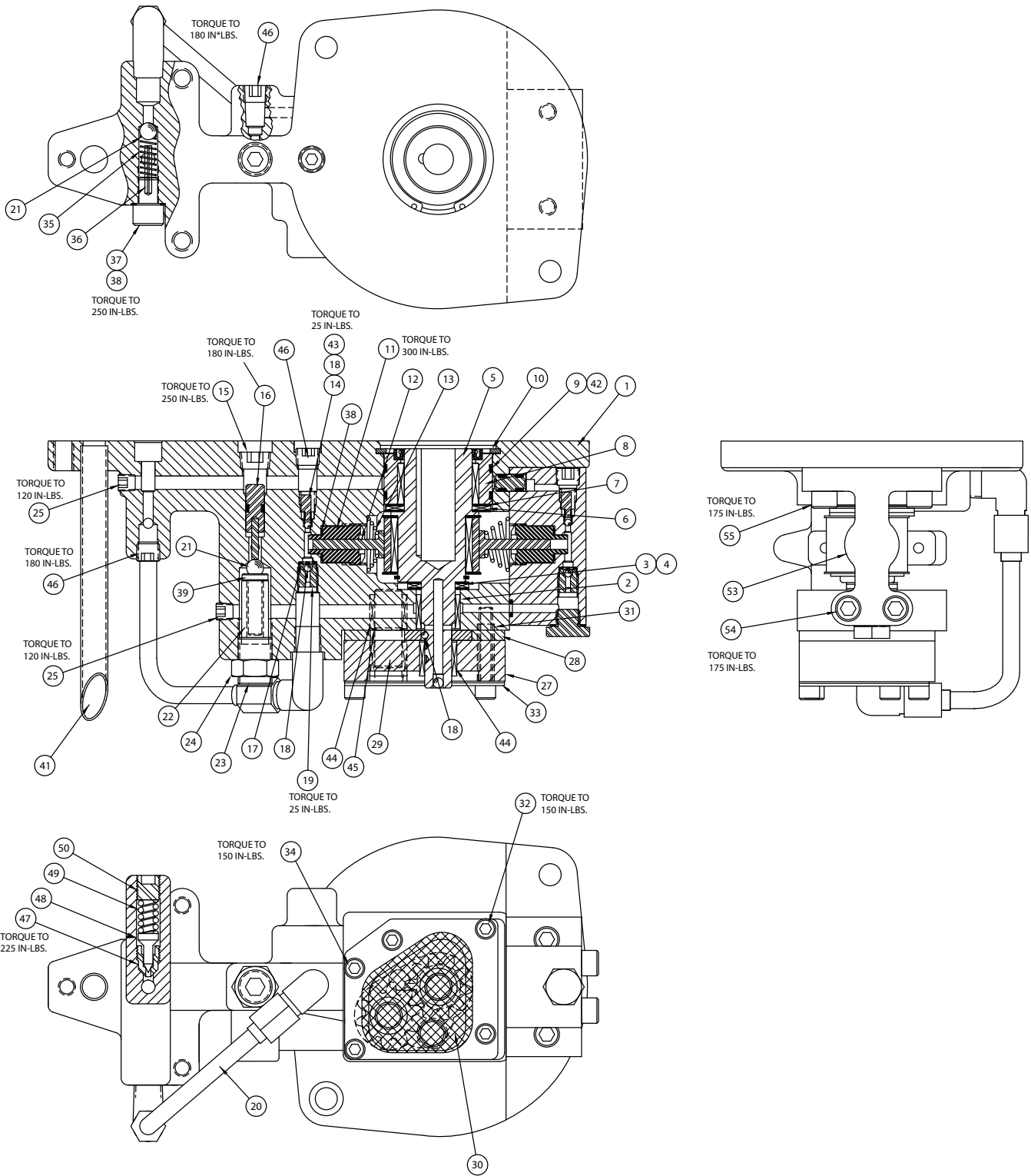
DS1072900SS (230 VAC - See Fig. 17A for electrical parts list. See Fig. 20 for wiring diagram.)



Repair Parts List (Refer to figure 3)				
Item	Part Number		Qty.	Description
	Pump and Motor Assy. DS1069900SS (115 VAC)	Pump and Motor Assy. DS1072900SS (230 VAC)		
1	(See Fig. 4)		1	Pump Asm.
2	★ S66012	★ S66012	1	Gasket-Motor
3	★ S68231	★ S68231	1	Gasket-Pump @ Motor
4	★ S68551	★ S68551	1	Gasket-Pump @ Valve
5	DD6038101S	DD6038101S	1	Reservoir Cover Plate
6	S68376	---	1	Electric Motor, 1.5 HP 115V
	---	S68403	1	Electric Motor, 1.5 HP 230V
6A	♣ 55028	---	1	Brush Kit, 115V
6B	---	⊛ 55029	1	Brush Kit, 230V
6C	▼ 55056	---	1	Brush Ring Kit, 115V
6D	---	● 55030	1	Brush Ring Kit, 230V
7	S69026	S69026	1	Pin Dowel 3/16-1
9	(See Fig. 15)		1	Manifold Asm NPR
10	S86184	S86184	5	SHCS 3/8-16 x 1-1/2"
11	(See Fig. 14)		1	Locking Valve w/relief
12	(See Fig. 13)		1	Control Valve Asm.
13	S42383	S42383	4	SHCS 3/8-16 x 8.0"
14	(See Fig. 10)		1	Adapter Assy.
15	SDS1055398	SDS1055398	1	Air Baffle
16	SDS1056098	SDS1056098	1	Cover, Shroud
17	S68884	S68884	1	Screen
18	(See Fig. 16)	(See Fig. 17)	1	Shroud Electrical Assembly
19	561604	561604	1	Roll Pin 1/8 x 3/8" Lg.
20	S69442	S69442	1	Nipple 1/4 NPT x 3"
21	S80241	S80241	1	Pipe Coupling 1/4"
26	(See Fig. 9)		1	Filter Block Asm
27	SDS1057037	SDS1057037	1	Gasket, Shroud Cover
28	SDS1135042	SDS1135042	8	HHCS 10-32 x 3/8" Lg.
29	SDS1136108	SDS1136108	8	Washer, Sealing
30	S42336	S42336	4	Nut, Acorn
31	65892	65892	4	Washer, Sealing
32	SDS1137305	---	4	Stud, 1/4-20 x 2.75" Lg.
	---	SDS1138305	4	Stud, 1/4-20 x 1.50" Lg.
33	S69264	S69264	1	Breather Vent
35	SDS1139186	---	4	Spacer, 1.69" Lg.
	---	S44620	4	Spacer, 0.38" Lg.
36	SDC9922026	SDC9922026	1	Decal, High Voltage
40	SDD4338026	SDD4338026	1	Decal, Transformer Fuses
41	S41964	S41964	2	Swivel Fitting
42	DD6106037S	DD6106037S	1	Valve Gasket
43	93584	93584	2	SHCS, 1/4-20 x 1.25" Lg

★ Included in S54177 Repair Kit.
♣ Includes 4 brushes (68757) and 4 springs (68758).
⊛ Includes 2 brushes (68757) and 2 springs (68758).
▼ Includes 4 brushes (68757) and 1 brush ring (45306).
● Includes 2 brushes (68757) and 1 brush ring (68761).

Figure 4 - 18852SS Pump Assembly

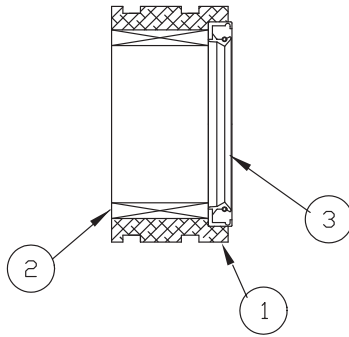


Repair Parts List (Refer to figure 4)

Item	Part Number	Qty.	Description	Item	Part Number	Qty.	Description
1	S43769	1	Pump Body 2 Piston	28	68848S	1	Gear Set
2	S68360	1	Bearing, Roller	29	S68850	1	Shaft-Idler
3	S66033	1	Thrust Bearing	30	★ S68921	1	Screen
4	S66474	2	Thrust Washer	31	S68894	2	Tube-Guide .11
5	(See Fig. 7)	1	Eccentric Shaft Assembly	32	S68255	4	SHCS 1/4-28 x 1-3/4"
6	S66106	1	Thrust Bearing	33	S68927	1	Plate-Screen Mtg.
7	S66108	2	Thrust Washer	34	89148	1	SHCS 1/4-28 x 1-1/2"
8	(See Fig. 5)	1	Adapter-Shaft Asm.	35	S68225	1	Spring
9	★ S56020322	2	O-Ring 1-7/8 x 2" Ure	36	S81332	1	Roll Pin 1/8 x 15/16"
10	S68978	1	Retaining Ring	37	S68226	1	Screw, Ball Stop
11	S68945	1	Adaptor .225 Dia.	38	S85726	2	Gasket 25/64 x 19/32"
12	S67868	1	Piston .225 Dia.	39	S43673	1	Spring Cap Unload Valve
13	S68340	1	Spring, Piston	41	S68569	1	Tube Return
14	S68810	1	Ball Stop	42	★ S69513	2	Shaft Adp Backup Was.
15	S93950	1	1/4" Soc Pipe Plug	43	S66042	1	Spring
16	(See Fig. 6)	1	Unloading Piston Assy	44	S68891	3	Bearing
17	S66043	1	Ball Retainer	45	S68892	1	Ring-Retaining
18	S90906	5	Ball 1/8"	46	S81093	3	Pipe Plug 1/8" Flush
19	S66046	1	Intake Seat	47	▲ S68004	1	Seat - Ext Relief
20	68851SS	1	Tube Asm	48	▲ S68003	1	Cone - Ext Relief
21	S91701	2	Ball 5/16"	49	▲ S66085	1	Spring - Relief Valve
22	S43671	1	Unloading Spring	50	S66083	1	Relief Valve Adj. Screw
23	S43674	1	Set Screw Unloading Valve	53	68502SS	1	Piston Blk .225
24	S43675	1	Hex Nut Unloading Valve	54	69392	2	SHCS 5/16-24 x 1.75"
25	S97641	2	1/16" Soc Pipe Plug	55	S82687	2	SHCS 5/16-24 x 5/8"
27	S68849	1	Plate-Bottom				

★ Included in S54177 Repair Kit. ▲ Included in 55057 Relief Kit.

Figure 5 - 68829SS Adapt-Shaft Assembly

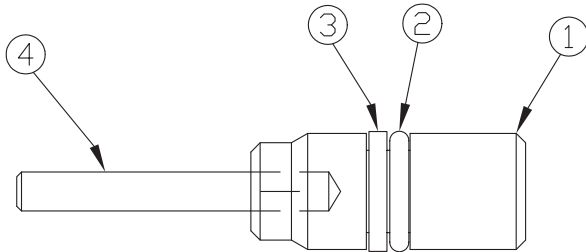


Repair Parts List (Refer to figure 5)

Item	Part Number	Qty.	Description
1	S68912	1	Adapter Shaft
2	S66030	1	Bearing
3	★ S68901	1	Seal

★Included in Repair Kit S54177.

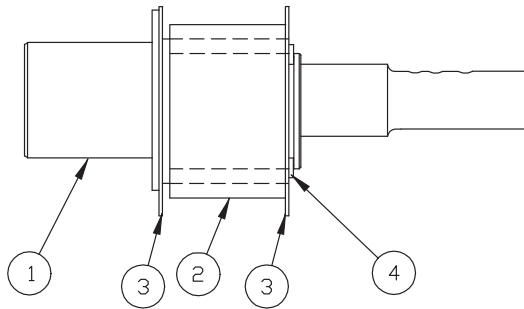
Figure 6 - 43766SS Unloading Piston Assembly



Repair Parts List (Refer to figure 6)

Item	Part Number	Qty.	Description
1	S43765	1	Unload Piston
2	S5602009	1	O-Ring
3	S43768	1	Back-Up Washer
4	S43686	1	Roll Pin

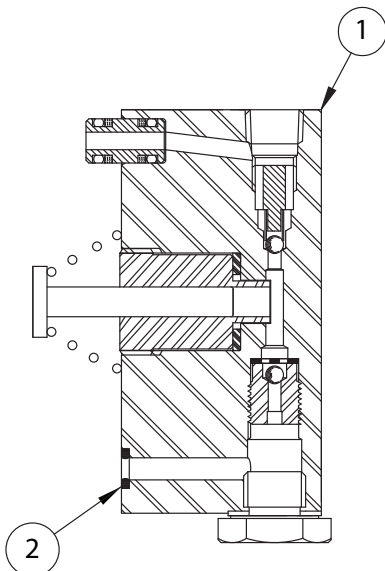
Figure 7 - 69082SS Eccentric Shaft Assembly



Repair Parts List (Refer to figure 7)

Item	Part Number	Qty.	Description
1	S68859	1	Eccentric Shaft
2	69081SS	1	Bearing
3	S69475	2	Bearing Washer
4	S67863	1	Retaining Ring
5	S90548	1	Ball

Figure 8 - 68502SS Piston Block Assembly



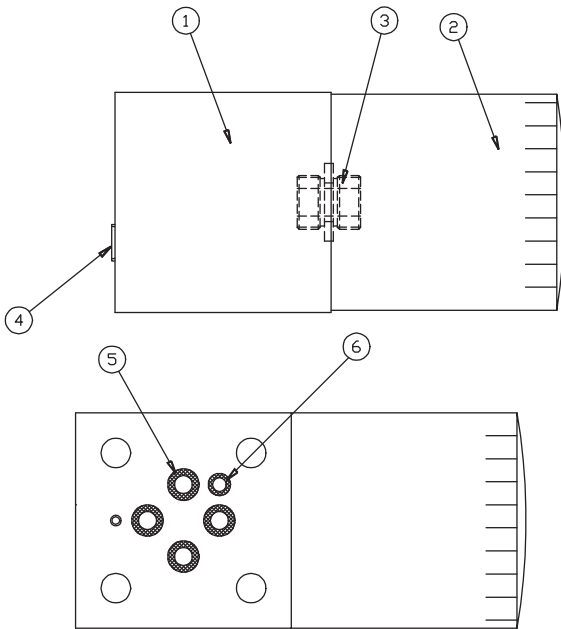
Repair Parts List (Refer to figure 8)

Item	Part Number	Qty.	Description
1	68502SS	1	Piston Block Assembly (Includes item 2)
2	★ S5602008	1	O-Ring 3/16 x 5/16"

★ Included in Repair Kit 54177.

Note: Piston block components are shown in Fig. 8 for reference only. Order complete 68502SS piston block assembly if replacement is required. Piston block assembly is not repairable.

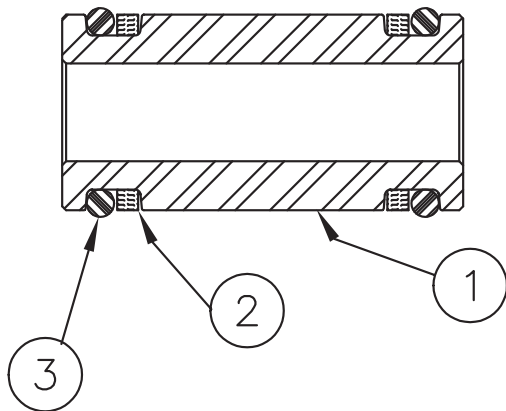
Figure 9 - 69740USS Filter Block Assembly



Repair Parts List (Refer to figure 9)

Item	Part Number	Qty.	Description
1	S69546	1	Filter Block
2	S69670	1	Oil Filter Power Pump
3	S69144	1	Adapter Filter
4	S93950	2	1/4" Soc Pipe Plug
5	S56020112	4	O-Ring 5/16 x 7/16" URE
6	S5602008	1	O-Ring 3/16 x 5/16"

Figure 10 - 68963SS Adapter Assembly

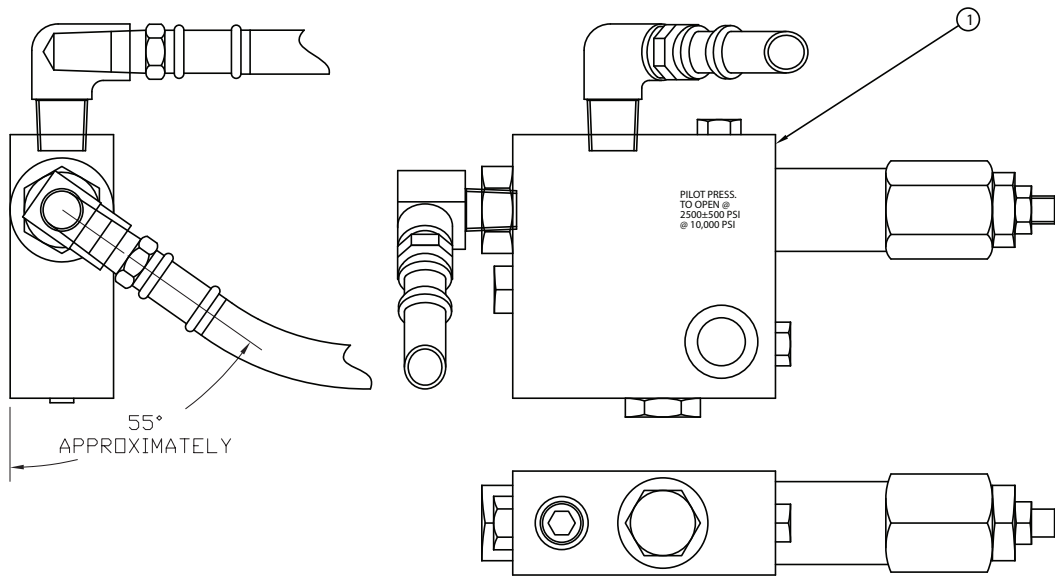


Repair Parts List (Refer to figure 10)

Item	Part Number	Qty.	Description
1	S88073	1	Valve Adapter
2	★ S65881	2	B-U Ring
3	S5602012	2	O-ring 3/8 x 1/2"

★Included in Repair Kit S54177.

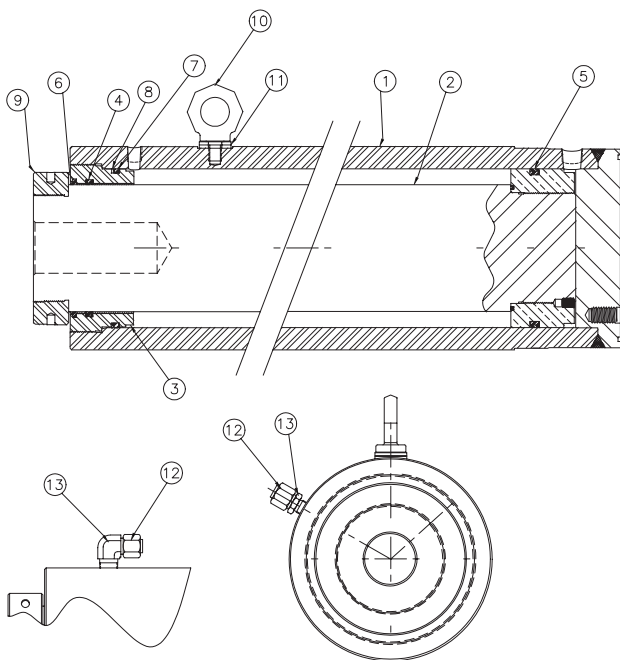
Figure 11 - 42353SS Over-Center Valve Subassembly



Repair Parts List (Refer to figure 11)			
Item	Part Number	Qty.	Description
1	42353SS	1	Valve, Over-Center

Note: Item 1 includes OC valve subassembly, elbows and hydraulic hoses. Items not sold separately. Order complete 42353SS OC valve assembly if replacement is required. Valve is not repairable.

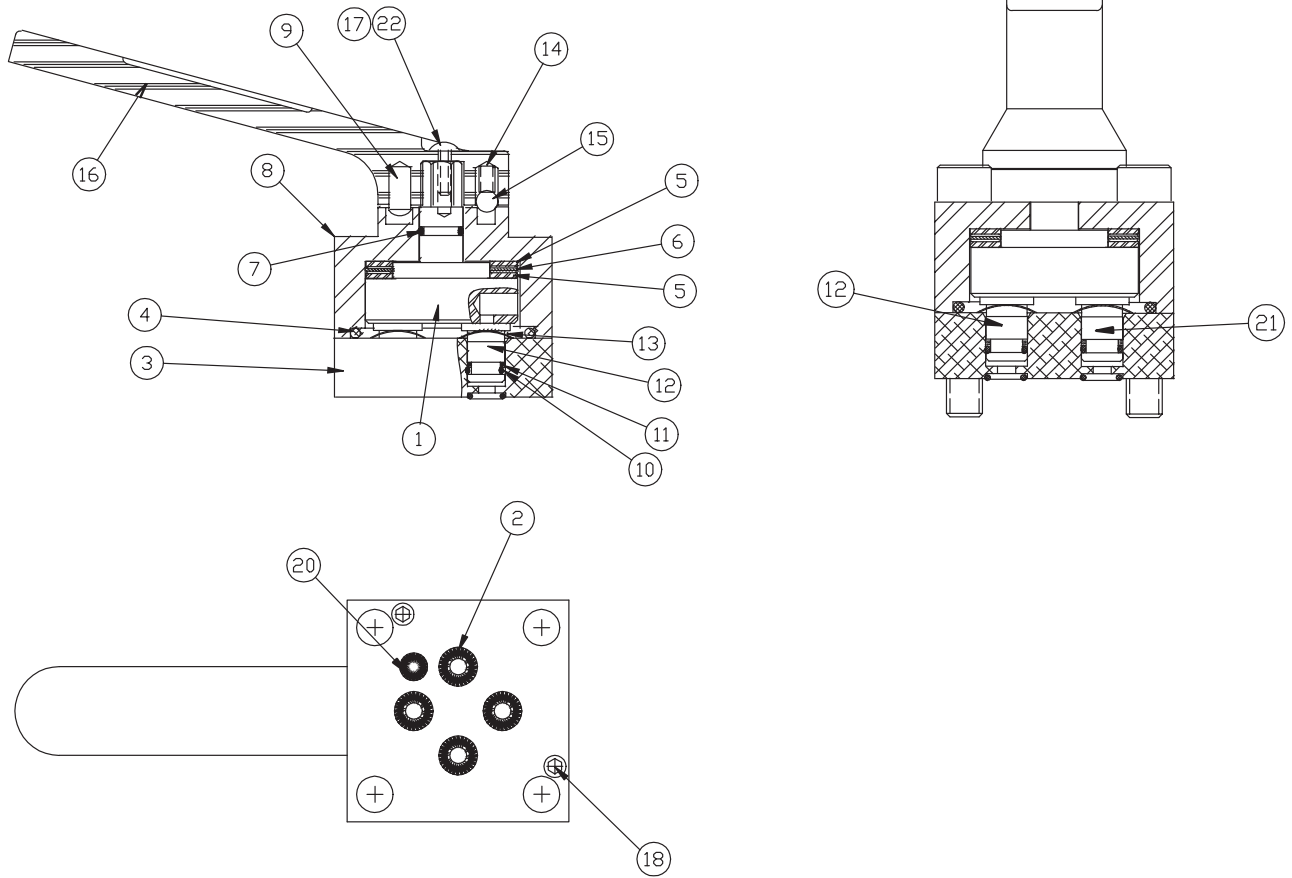
Figure 12 - 41917SS, 42430SS Cylinder Assembly



Repair Parts List (Refer to figure 12)				
Model	JE10026_ (all versions)	JE10037_ (all versions)		
Item	Asm. 41917SS	Asm. 42430SS	Qty.	Description
1	N/A	N/A	1	Cylinder Weldment
2	41921SS	42427SS	1	Piston Rod Asm.
3	41924SS	41924SS	1	Head Gland
4	*	*	1	T-Seal Rod 4" Dia
5	*	*	1	T-Seal Piston 5-1/4"
6	*	*	1	Wiper 4" Rod Dia
7	*	*	1	O-Ring 5" x 5-1/4"
8	*	*	1	B-U Washer
9	S41925	S41925	1	Ring
10	N/A	S43308	1	Swivel Eye Bolt 1/2"
11	N/A	S44888	1	Washer Eyebolt
12	S45664	S45664	1	O-Ring Face Seal Plug
13	S44865	S45666	1	O-Ring Ftg. 3/8" NPT

* Included in 54401 Repair Kit. N/A = Not Available.

Figure 13 - 69101SS 4-Way Manual Valve Subassembly



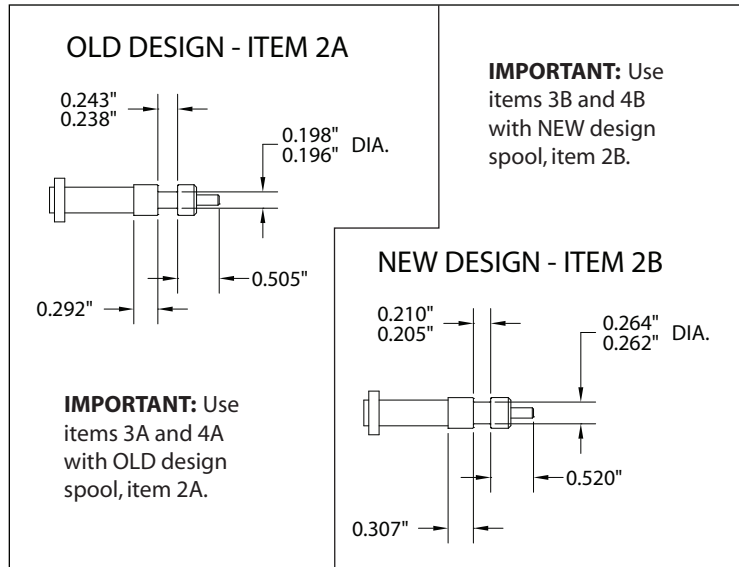
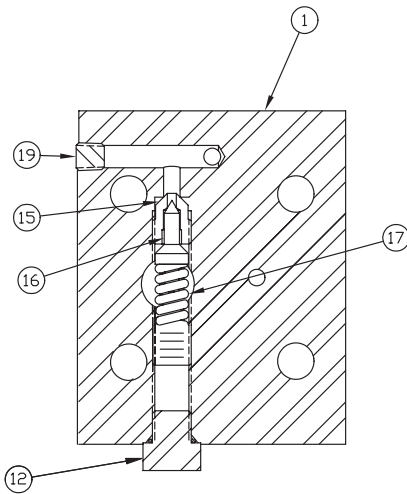
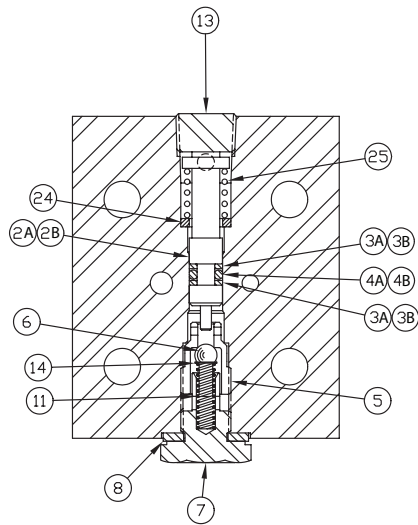
Repair Parts List (Refer to figure 13)

Item	Part Number	Qty.	Description	Item	Part Number	Qty.	Description
1	S43762	1	Valve Rotor	12	S68029	1	Shear Seal
2	* S56020112	4	O-Ring	13	S68028	3	Spring Washer
3	S68180	1	Subplate - Valve	14	S68025	1	Detent Spring
4	* S5602225	1	O-Ring	15	92549	1	Ball
5	S68026	2	Thrust Washer	16	S69091	1	Valve Handle
6	S68155	1	Thrust Bearing	17	S44595	1	Screw
7	* S5602012	1	O-Ring	18	S85317	2	Screw
8	S69135	1	Upper Valve Block	N/S	S93598	4	Screw
9	S93804	1	Drive Lok Pin	20	S5602008	1	O-Ring
10	* S5602011	3	O-Ring	21	S68181	2	Shear Seal
11	* S65882	3	Washer	22	SY0010765	1	Lockwasher

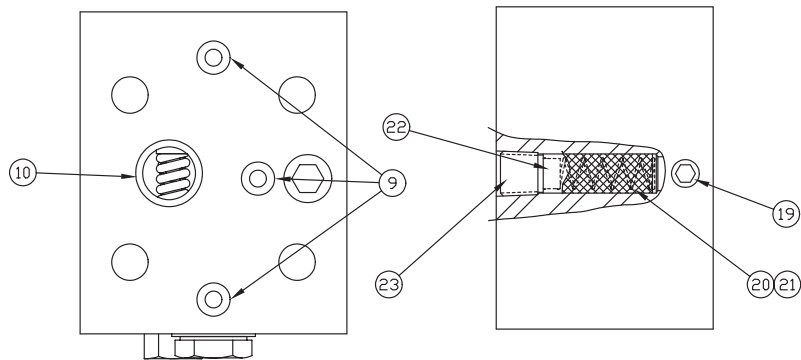
N/S = Not Shown. * Included in Valve Kit 54490.

Figure 14 - 42480SS Locking Valve Subassembly (with relief)

SPOOL AND SEAL REPLACEMENT INFORMATION



Note: Old design spool (2A) must be replaced with new design spool (2B) if it is worn or damaged. Old design spool (2A) is no longer available.

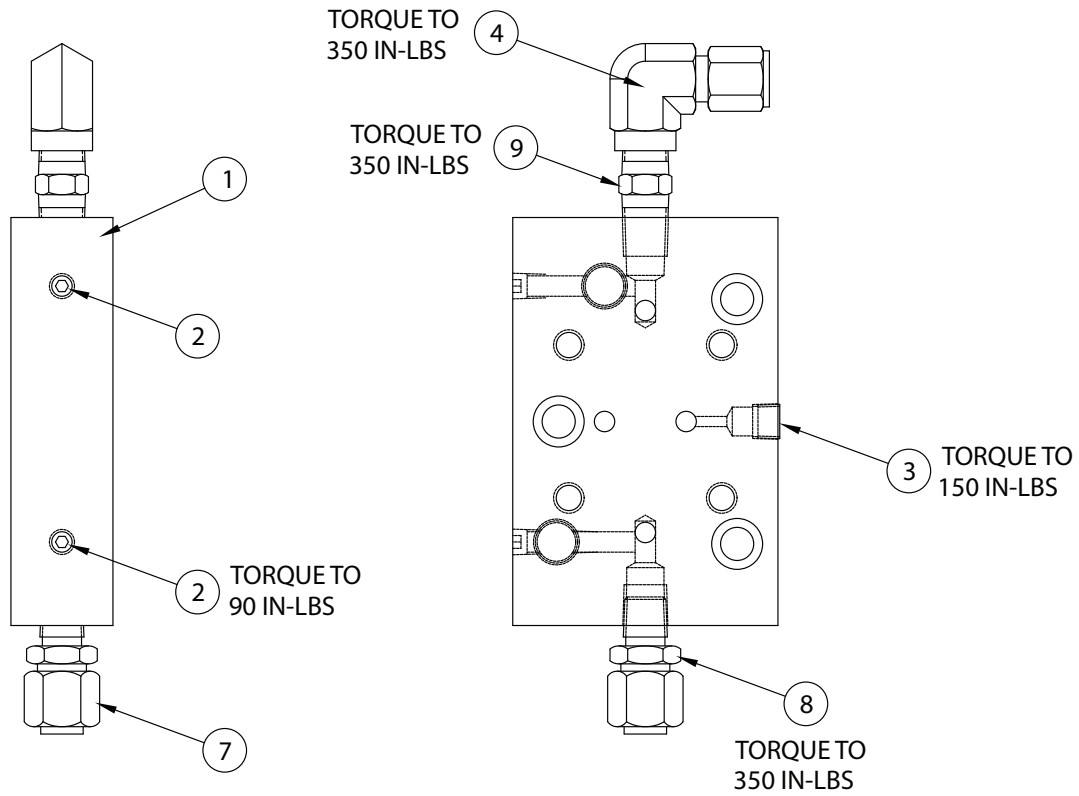


Repair Parts List (Refer to figure 14)

Item	Part Number	Qty.	Description	Item	Part Number	Qty.	Description
1	S42307	1	Locking Valve Body - Relief	12	S68258	1	Plug SAE #4
2A	(not available)	1	Spool Piston (old design)	13	S84084	1	Pipe Plug 3/8" NPT Flush
2B	S42727	1	Spool Piston (new design)	14	S69870	1	Spring Eyelet Lock
3A	S5608106	2	Backup Washer 8-106	15	▲S68004	1	Seat - Ext Relief
3B	*♣S43927	2	Backup Washer TEF -010	16	▲S68003	1	Cone - Ext Relief
4A	S5602106	1	O-Ring 3/16 x 3/8"	17	▲S66085	1	Spring - Relief Valve
4B	*♣S5602010	1	O-Ring 1/4 x 3/8"	18	S66083	1	Relief Valve Adjusting Scr.
5	S68590	1	Seat	19	40049	3	1/16" Pipe Plug - Flush
6	S92526	1	Ball 9/32"	20	S69518	1	Screen O.C. Valve
7	S69508	1	Plug - Adapt P.R. Lock	21	S42423	1	Screen O.C. Valve
8	S68183	1	Gasket - Plug	22	S69517	1	Screen Cap
9	*S56020102	3	O-Ring 1/4 x 3/8" Ureth	23	46509	1	Pipe Plug 1/4" Flush
10	*S56020162	1	O-Ring 5/8 x 3/4" Ureth	24	S42726	1	Washer PR Lock Block
11	S68870	1	Compression Spring	25	S68871	1	Compression Spring

▲ Included in 55057 Relief Kit. ♣ Included with item 2B * Included in 54686 Seal Kit

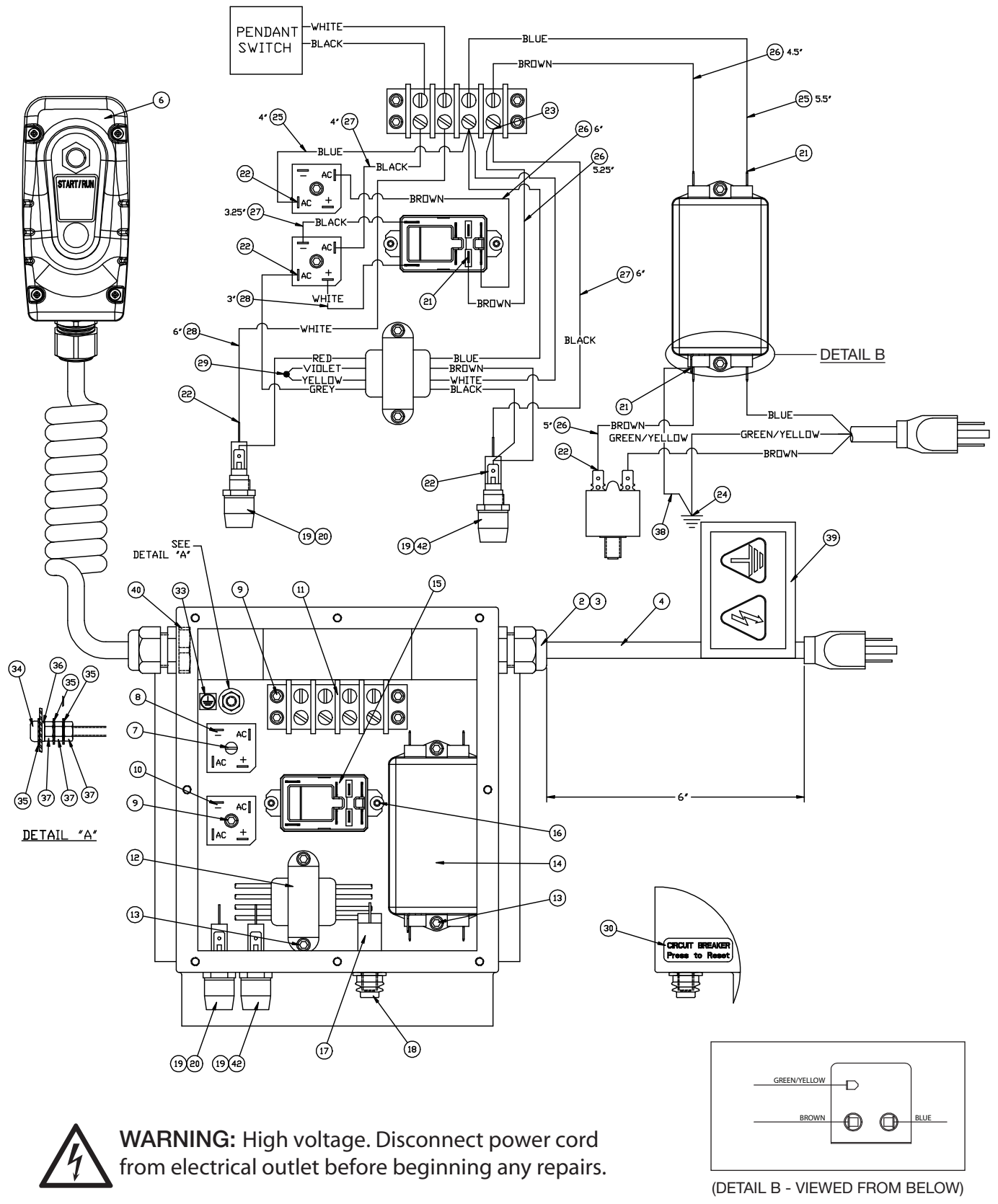
Figure 15 - 69749SS Manifold Assembly



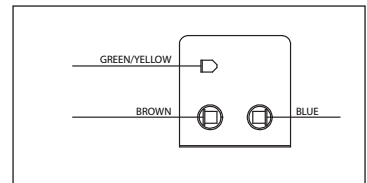
Repair Parts List (Refer to figure 15)

Item	Part Number	Qty.	Description	Item	Part Number	Qty.	Description
1	S69429	1	Manifold Pow'r Riser	7	S45664	1	O-Ring Face Seal Plug
2	40049	2	1/16" Pipe Plug - Flush	8	S45663	1	O-Ring Face Tube Ftg 1/4"
3	S81093	1	Pipe Plug 1/8" Flush	9	S4100067	1	Nipple 1/4"
4	S43166	1	Elbow 90 3/8 - 1/4"				

Figure 16A - DS1061900SS Shroud Electrical Assembly (115 V)

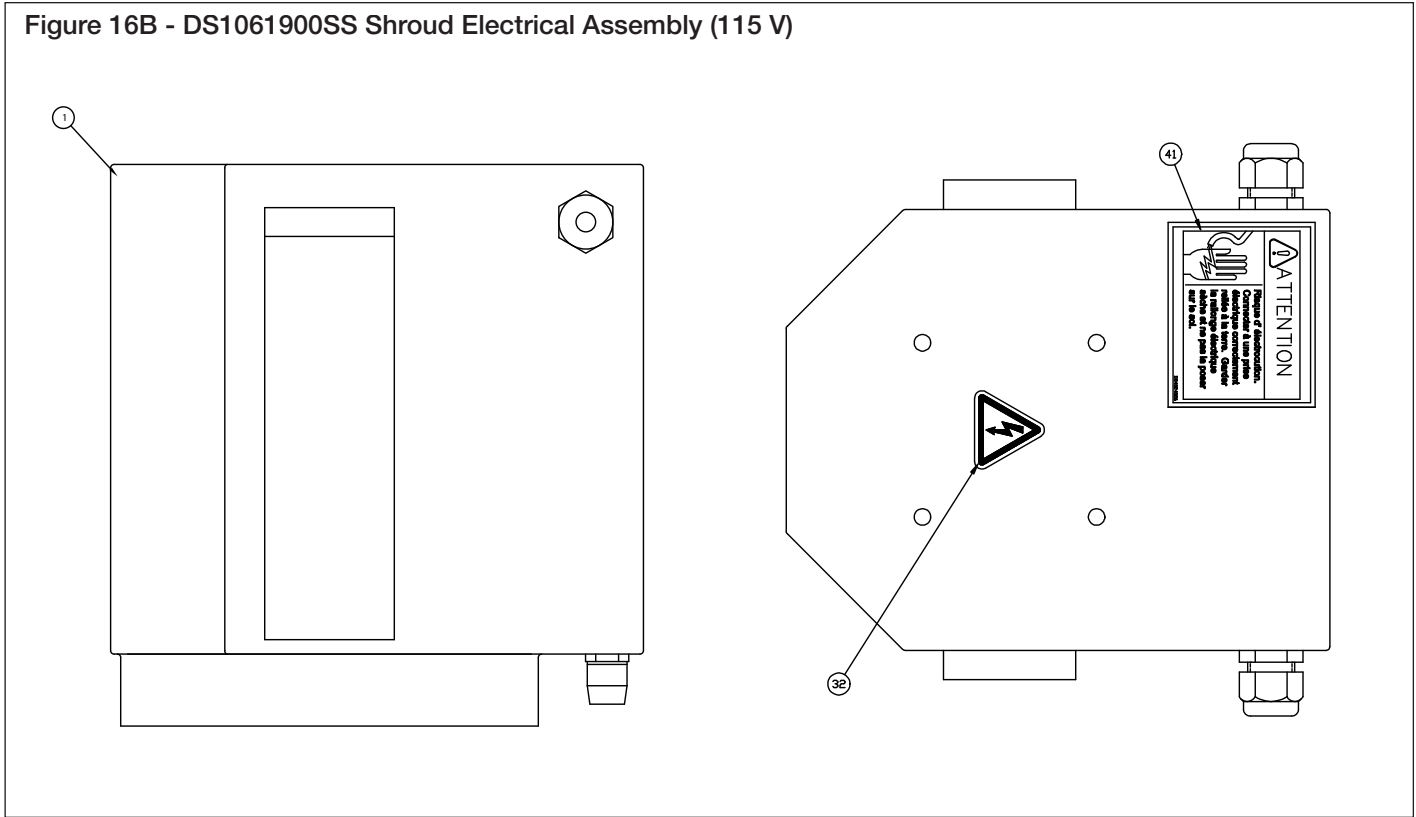


WARNING: High voltage. Disconnect power cord from electrical outlet before beginning any repairs.



(DETAIL B - VIEWED FROM BELOW)

Figure 16B - DS1061900SS Shroud Electrical Assembly (115 V)

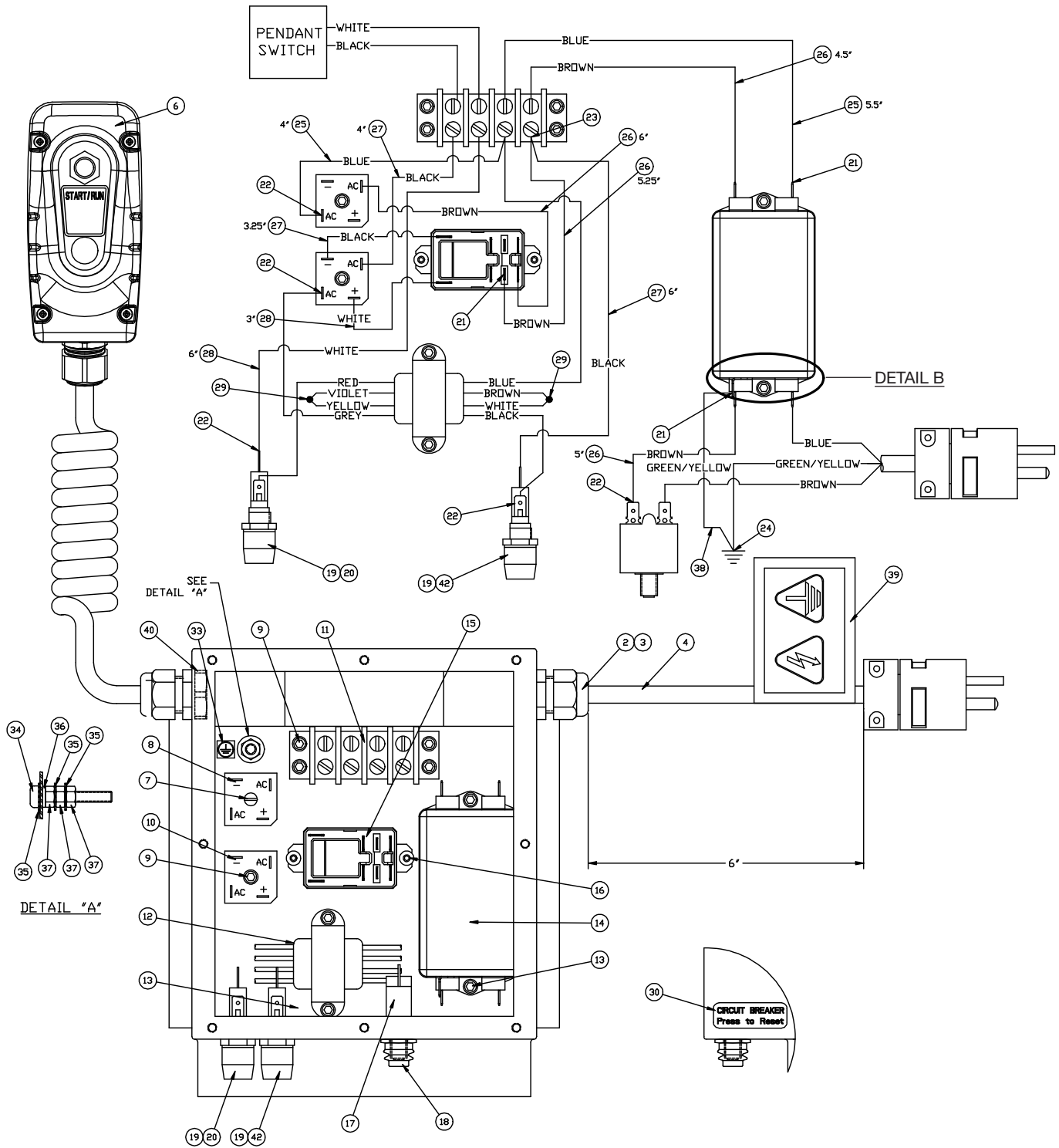


Repair Parts List (Refer to figure 16A and 16B)

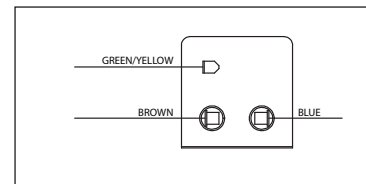
Item	Part Number	Qty.	Description	Item	Part Number	Qty.	Description
1	SDS1054424	1	Shroud	22	S65888	12	Terminal, Push On
2	S68375	1	Fitting, Cord, L-Tight	23	S65887	6	Spade, Terminal
3	S85510	1	Locknut, 1/2 inch	24	69917	2	Ring, Terminal
4	68595SS	1	Plug and Cord Assy.	25	SDS1065452	A/R	Wire #14GA Strand Blue
6	(See Fig. 21)	1	Pendant Assy.	26	S46676	A/R	Wire #14GA Brown
7	S88032	1	RHMS 10-32 5/8" Lg.	27	68261B	A/R	Wire #14GA Black
8	SDS1244380	1	Bridge Rectifier 1600V	28	68262B	A/R	Wire #14GA White
9	66805	5	SHCS 10-32 x 1/2" Lg.	29	S68093	1	Wire Nut, Blue
10	S68623	1	Bridge Rectifier 25A	30	SDC8237026	1	Decal, CB Reset
11	S69599	1	Terminal Strip	32	SDC9922026	1	Decal, High Voltage
12	68717	1	Transformer	33	SDC8119026	1	Decal, ZE Ground
13	45175	4	SHCS 10-32 x 1/4" Lg. Plt.	34	SDC9984028	1	M6 x 40 Pan Hd. Screw
14	SDS1051380	1	EMI Filter	35	SCCE1060108	3	Star Washer, 6mm Zinc
15	DS1064980	1	Relay, 30A/250V 12VDC	36	SCAE1060108-1A	1	Flat Washer, 6mm Zinc
16	81145	2	BHCS 8-32 x 1/4" Lg.	37	SCBE1060120-1D	3	Nut, M6
17	SDS1058380	1	Circuit Breaker, 20A	38	SDS1066452	A/R	Wire #14GA Green/Yellow
18	SDC8200380	1	Reset Cap, Circuit Breaker	39	SDD1651026	1	Decal, Electric Shock
19	69754	2	Fuse Holder, 250V	40	SDC9538021	1	Locking Nut, 20mm
20	SDC8371378	1	Fuse, 300mA	41	SDD4024026	1	Decal, Attention (French)
21	S44491	9	Flag, Quick-Disc. Blue	42	SDC8400378	1	Fuse, 40 mA

A/R = As Required.

Figure 17A - DS1062900SS Shroud Electrical Assembly (230 V)

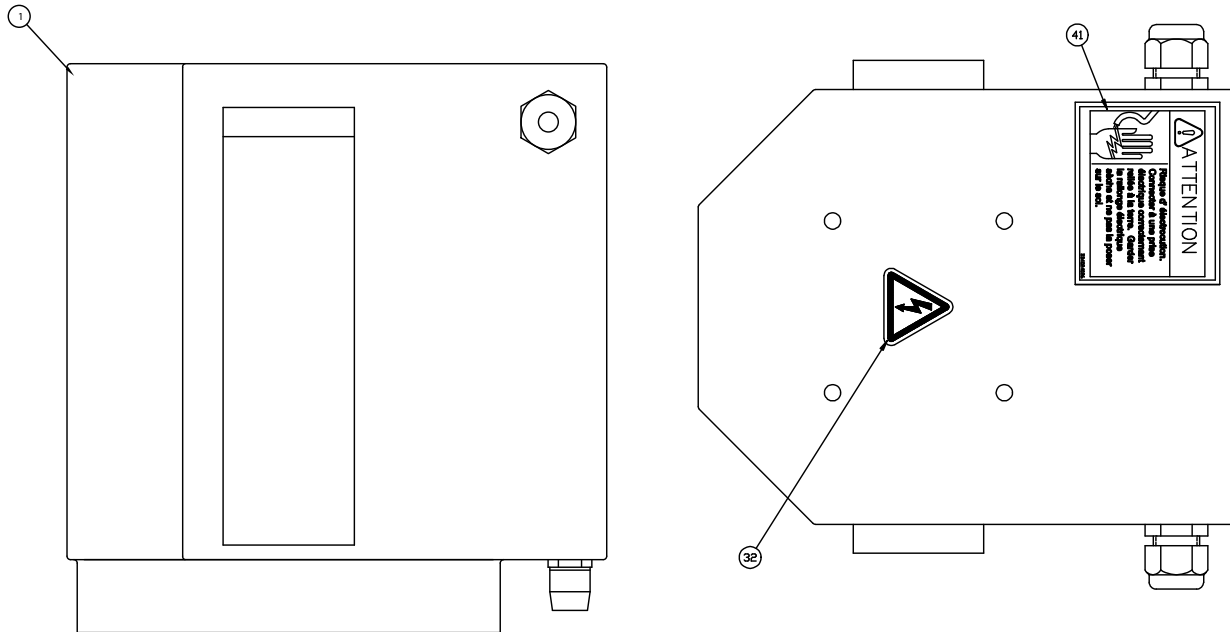


WARNING: High voltage. Disconnect power cord from electrical outlet before beginning any repairs.



(DETAIL B - VIEWED FROM BELOW)

Figure 17B - DS1062900SS Shroud Electrical Assembly (230 V)

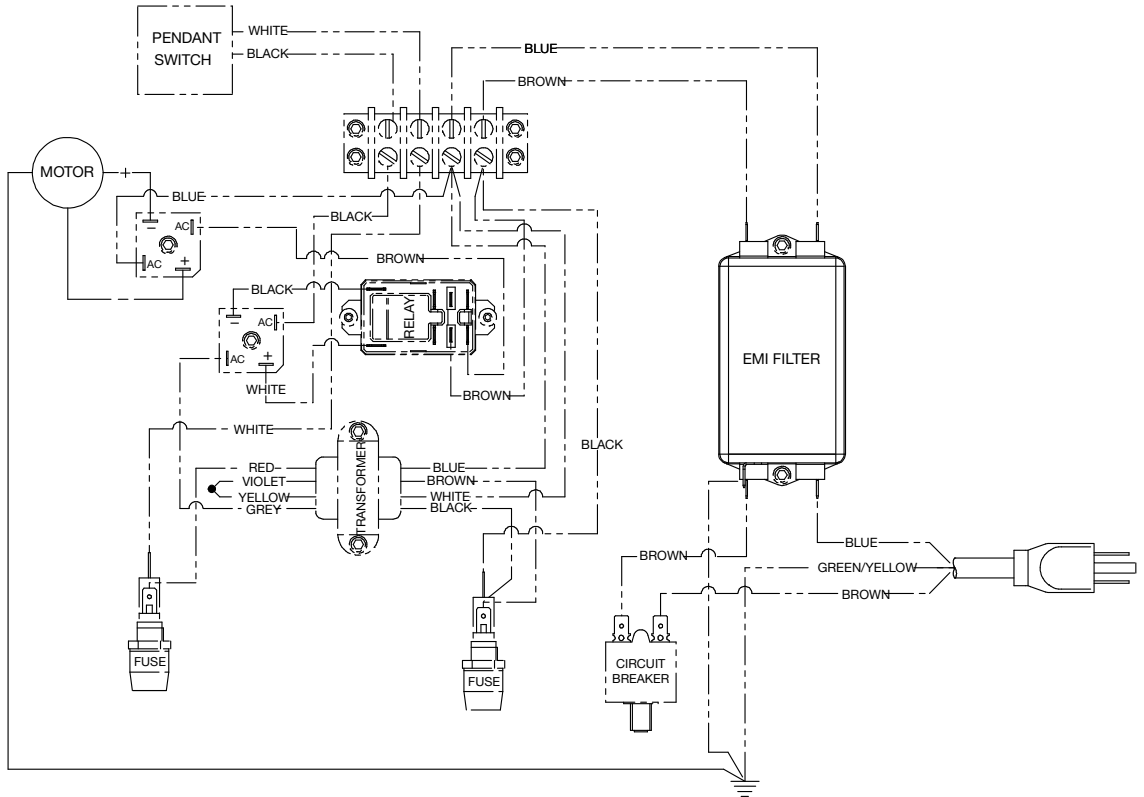


Repair Parts List (Refer to figure 17A and 17B)

Item	Part Number	Qty.	Description	Item	Part Number	Qty.	Description
1	SDS1054424	1	Shroud	22	S65888	12	Terminal, Push On
2	S68375	1	Fitting, Cord, L-Tight	23	S65887	6	Spade, Terminal
3	S85510	1	Locknut, 1/2 inch	24	69917	2	Ring, Terminal
4	DD4773052SS	1	Cord Assembly, 230V US/Canada, 6 Feet Long	25	SDS1065452	A/R	Wire #14GA Strand Blue
6	(See Fig. 21)	1	Pendant Assy.	26	S46676	A/R	Wire #14GA Brown
7	S88032	1	RHMS 10-32 5/8" Lg.	27	68261B	A/R	Wire #14GA Black
8	SDS1244380	1	Bridge Rectifier 1600V	28	68262B	A/R	Wire #14GA White
9	66805	5	SHCS 10-32 x 1/2" Lg.	29	S68093	2	Wire Nut, Blue
10	S68623	1	Bridge Rectifier 25A	30	SDC8237026	1	Decal, CB Reset
11	S69599	1	Terminal Strip	32	SDC9922026	1	Decal, High Voltage
12	68717	1	Transformer	33	SDC8119026	1	Decal, ZE Ground
13	45175	4	SHCS 10-32 x 1/4" Lg. Plt.	34	SDC9984028	1	M6 x 40 Pan Hd. Screw
14	SDS1051380	1	EMI Filter	35	SCCE1060108-6A	3	Star Washer, 6mm Zinc
15	SDS1064980	1	Relay, 30A/250V 12VDC	36	SCAE1060108-1A	1	Flat Washer, 6mm Zinc
16	81145	2	BHCS 8-32 x 1/4" Lg.	37	SCBE1060120-1D	3	Nut, M6
17	SDC8309380	1	Circuit Breaker, 12A	38	SDS1066452	A/R	Wire #14GA Green/Yellow
18	SDC8200380	1	Reset Cap, Circuit Breaker	39	SDD1651026	1	Decal, Electric Shock
19	69754	2	Fuse Holder, 250V	40	SDC9538021	1	Locking Nut, 20mm
20	SDC8371378	1	Fuse, 300mA	41	SDD4024026	1	Decal, Attention (French)
21	S44491	9	Flag, Quick-Disc. Blue	42	SDC8400378	1	Fuse, 40 mA

A/R = As Required

Figure 18 - 115 Volt Wiring Diagram




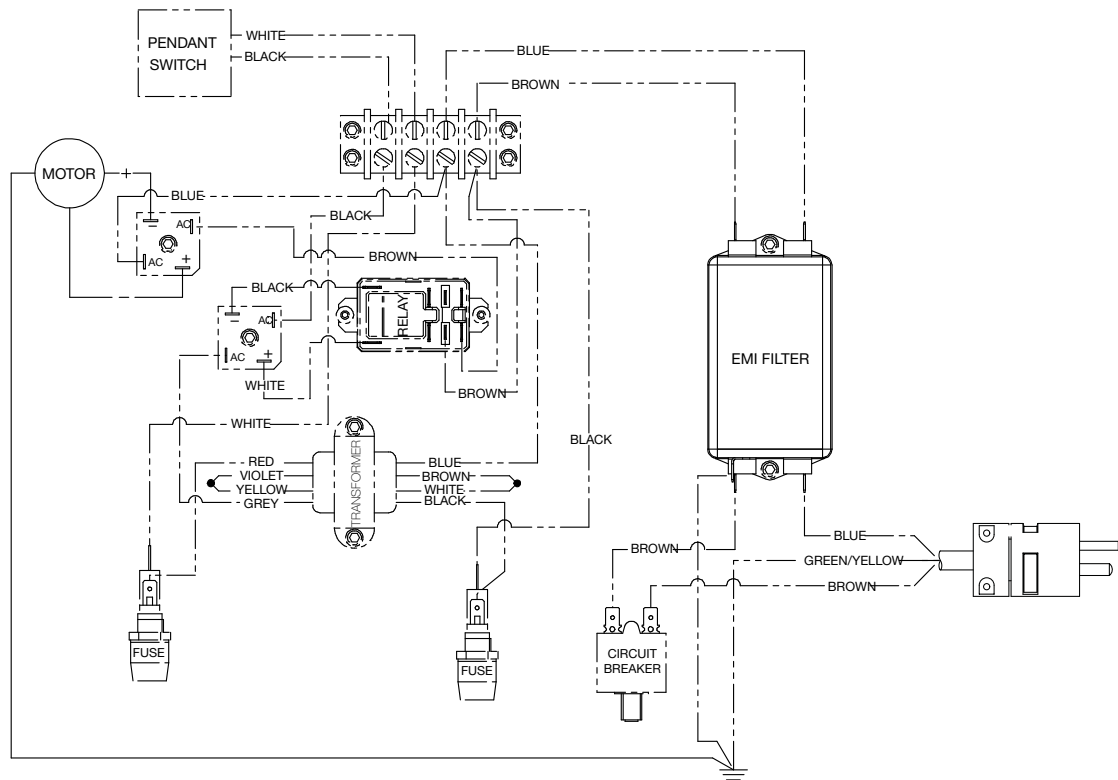
 **WARNING:** High voltage. Disconnect power cord from electrical outlet before beginning any repairs.

Figure 19 - 230 Volt Wiring Diagram




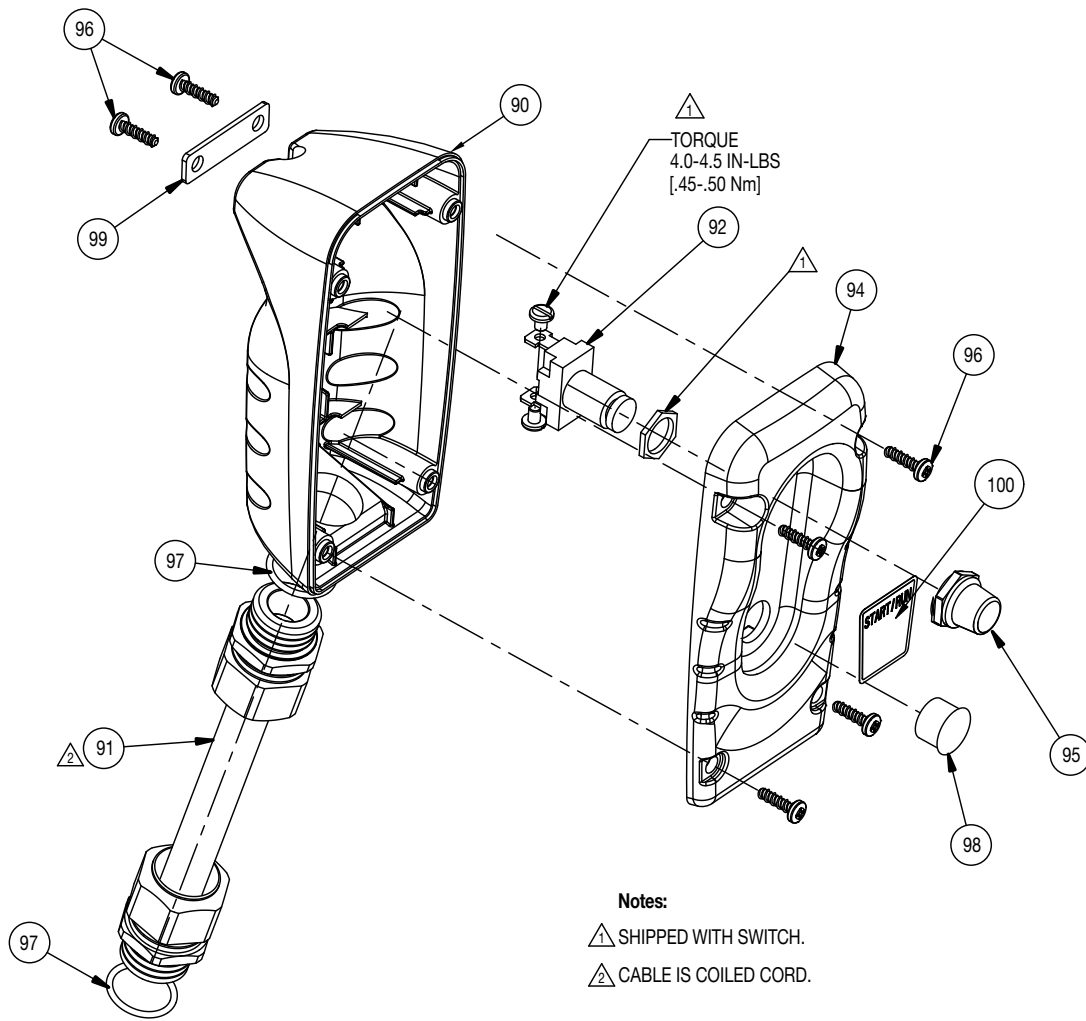
 **WARNING:** High voltage. Disconnect power cord from electrical outlet before beginning any repairs.

Figure 20 - DS1074900SS Pendant Assembly

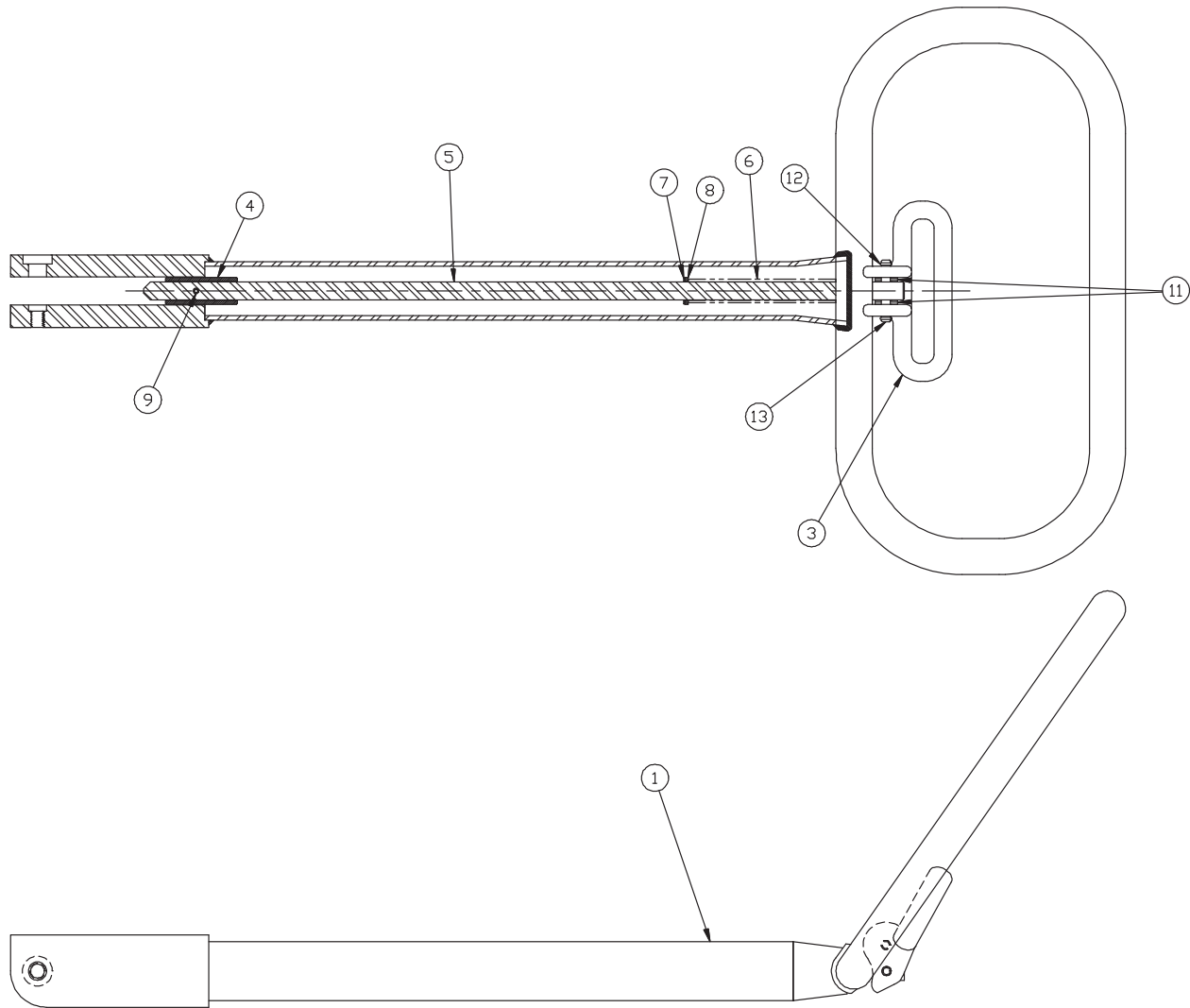


Repair Parts List for Figure 20

Item	Part Number	Qty.	Description	Item	Part Number	Qty.	Description
90	SDC9425424	1	Enclosure, Lower	96	SDC9428008	6	Screw, Hi-Low #8 x 1/2"
91	SDS1075960	1	Cable Assembly	97	S5602017	2	O-Ring
92	SDC8282379	1	Pendant Button, NO	98	SDC8228009	1	Dome Plug
94	SDC8122424	1	Enclosure, Upper	99	SDS1167101	1	Plate, Pendant Hook
95	SDC8284379	1	Switch Cover	100	SDD4333026	1	Decal, PR Pendant

Note: Pendant Assembly DS1074900SS includes all items shown above.

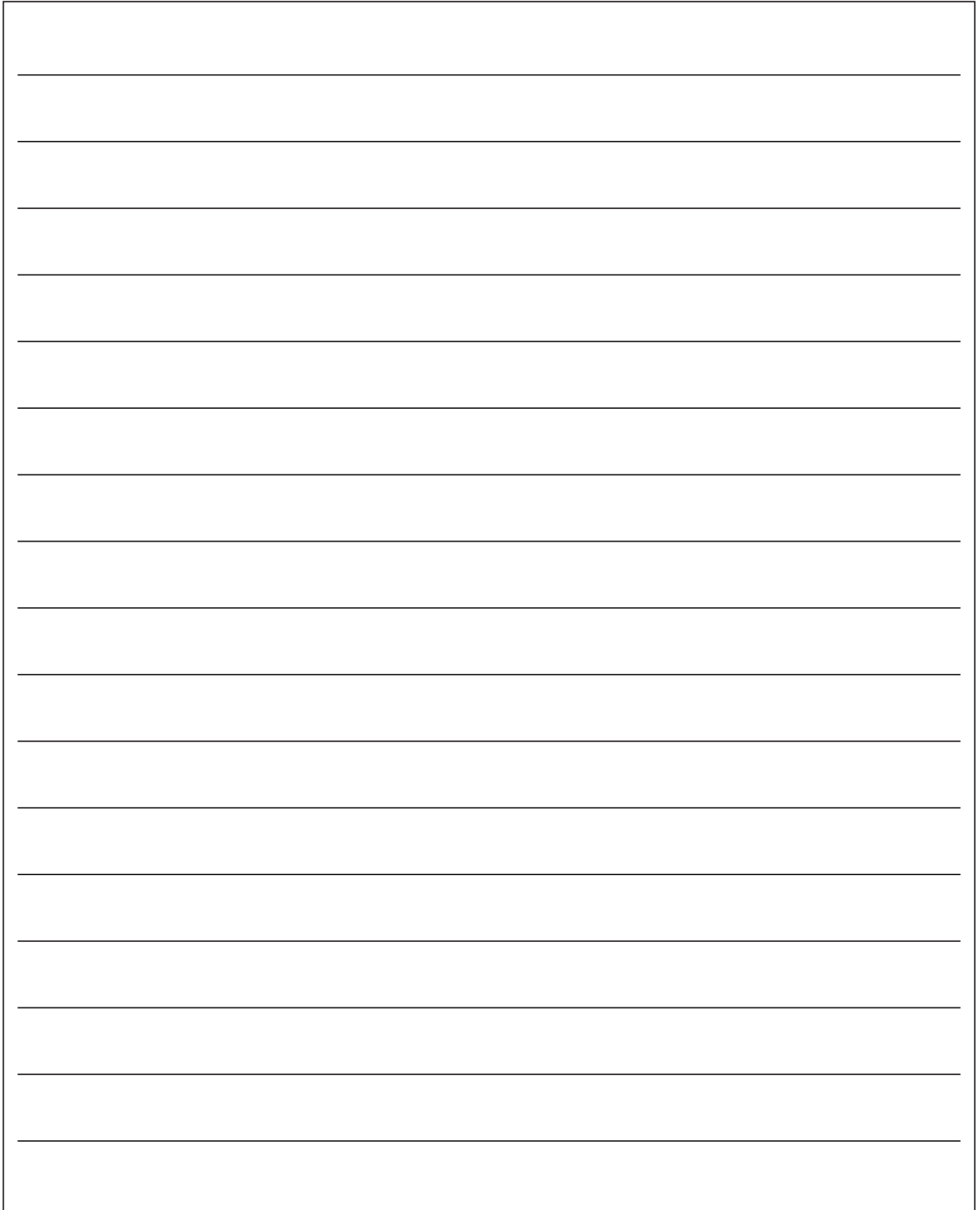
Figure 21 - 41961SS Upper Handle Assembly



Repair Parts List (Refer to figure 21)

Item	Part Number	Qty.	Description	Item	Part Number	Qty.	Description
1	S41595	1	Upper Weldment	8	S41614	1	Washer 9/16" ID x 3/32"
3	S42368	1	Handle Lock Lever	9	S42497	1	Roll Pin 5/32 x 7/8"
4	S41600	1	Sleeve	11	S88429	4	Washer SS 1/4"
5	S41601	1	Handle Rod	12	S42340	4	Pin Ring
6	S41602	1	Spring . 656 x 9.50"	13	S42338	2	Pin Handle Lever
7	S41613	1	E-Ring .8/.82 x .042				

NOTES:



A large rectangular box with a black border, intended for writing notes. It contains 20 horizontal lines spaced evenly from top to bottom.



N86 W12500 Westbrook Crossing

Menomonee Falls, WI 53051

Phone - USA Only: 1 (800) 323-9114

Phone - Inside/Outside USA: 1 (262) 293-1575

Fax: 1 (262) 597-1127

www.tksimplex.com