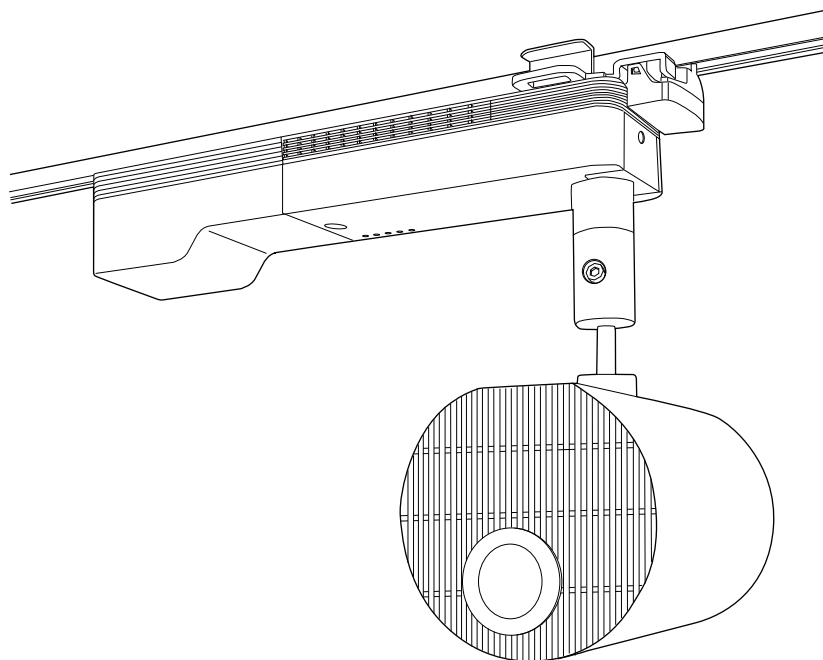


ELPMB54W ELPMB54B

Installation Manual



Safety Instructions

This guide explains how to install the projector on a lighting track using the Lighting Track Mount.



Make sure you read this guide carefully to use the installation mounts and the projector safely. Incorrect handling that ignores instructions in this guide could damage this product or could result in personal injury or property damage. Keep this installation guide at hand for future reference.

Regarding how to handle the projector, read the *User's Guide* and *Safety Instructions* supplied with your projector and follow the instructions in these documents.




Safety Indications

The documentation and this product use graphical symbols to show how to use this product safely and correctly to prevent injury to customers and others, and damage to property.





The indications and their meaning are as follows. Make sure you understand them properly before reading the guide.















Symbol	Explanation
 Warning	This symbol indicates information that, if ignored, could possibly result in personal injury or even death due to incorrect handling.
 Caution	This symbol indicates information that, if ignored, could possibly result in personal injury or physical damage due to incorrect handling.

General Information Indications













Symbols	Explanation
	Symbol indicating an action that must not be done
	Symbol indicating an action that should be done
	Symbol indicating related or useful information

Precautions on Installing the Projector

 Warning	
Installing the projector on a lighting track should only be performed by a professional with the necessary skills and know-how. If installation work is not carried out correctly, the mount or the projector could fall causing injury or accident to occur.	
Follow the instructions in this guide when performing installation work. If the instructions are not followed, the mount or the projector could fall causing injury or accident to occur.	
Installation should be performed by at least two people. Also, make sure you have a secure, stable footing so that you do not drop the mount or the projector.	

 Warning	
<p>Make sure you turn off the lighting track before performing work.</p> <p>If you perform work while the lighting track is turned on, an electric shock could occur.</p>	
<p>Make sure you attach the safety wire supplied with the projector to prevent the mount from falling due to earthquakes or vibrations.</p>	
<p>Do not attach anything to this mount except for a projector from EPSON.</p> <p>Otherwise, the mount may fall and could cause death or personal injury.</p>	
<p>Note the following when handling the power cable. Otherwise, it could cause a fire or electric shock.</p> <ul style="list-style-type: none"> • Do not handle the plug with wet hands • Do not use a damaged or modified power cable • Do not apply excessive force to the power cable • Do not trap the cable between parts of the mount and so on during installation 	
<p>When installing, do not pull or apply excessive force to the cable connected to the projector.</p>	
<p>Do not wind cables around the projector or the mount.</p>	
<p>When wiring cables and so on, route the cables so that it avoids the screws and bolts.</p> <p>If the cables come into contact with screws or bolts, it could cause a fire or electric shock to occur.</p>	
<p>Make sure you tighten the screws or bolts completely when installing.</p> <p>If they are not tightened completely, the mount or the projector could fall causing injury or accident to occur.</p>	
<p>Never loosen the screws or bolts after installation.</p> <p>Make sure that you check for any loose screws or bolts on a regular basis, and if any are loose, tighten them completely. If they are not tightened completely, the mount or the projector could fall causing injury or accident to occur.</p>	
<p>When securing the mount, do not use adhesives to prevent the screws from loosening, and do not use lubricants, oils, and so on.</p> <p>If you use adhesives to prevent the screws from loosening, or if you use things such as lubricants or oils, the mount or the projector case may crack causing an injury or an accident.</p>	
<p>Do not hang from the mount or the projector, and do not place heavy objects on them.</p> <p>Otherwise, the mount or the projector may fall and could cause death or injury.</p>	
<p>Do not apply excessive force to the projector or the mount when installing.</p> <p>Otherwise, the mount or the projector may be damaged and could cause death or injury.</p>	
<p>Do not install in the following situations. Contact your local dealer or Epson Service Call Center.</p> <ul style="list-style-type: none"> • If the product has been dropped or damaged before or during installation • If the mount is abnormal or damaged 	

Warnings and Cautions on the Installation Locations

 Warning	
<p>Only install on lighting tracks that support installation for this mount. Otherwise, the mount or the projector may fall and could cause death or injury.</p>	
<p>Do not attach to the lighting track in the following ways. Otherwise, the lighting track could be damaged. Also, the mount or projector may fall and cause an injury or accident to occur.</p> <ul style="list-style-type: none"> • Lighting tracks attached to walls, floors, or inclined locations • Lighting tracks attached to un-reinforced ceilings • Lighting tracks that are hung from pipes • Lighting tracks that are built-in to the ceiling 	
<p>Do not install or use the projector in locations where it could be exposed to rain or water, such as outdoors, in baths or shower rooms. Otherwise, it could cause a fire or electric shock.</p>	
<p>Do not use the projector in a location subject to combustible or explosive gas. If the inside of the projector gets too hot, it could ignite and cause a fire.</p>	
<p>Do not cover the projector's air intake vent or air exhaust vent. If either of the vents are covered, the projector's internal temperature could rise and cause a fire.</p>	
 Caution	
<p>Do not install the projector in a location outside the projector's operating temperature range. Such an environment may damage the projector.</p>	
<p>Install it away from air outlets such as air conditioners. If the air from an air conditioner and so on flows directly over the projector, the temperature rises and the projector may not operate correctly.</p>	
<p>Install it away from fluorescent lights. Some kinds of fluorescent lights could interfere with the remote control of the projector.</p>	
<p>Install it in a location where strong light such as fluorescent light and direct sunlight does not shine on the remote receiver. If strong rays of light shine on the remote receiver, remote control operations may not be performed correctly.</p>	
<p>Make sure you install the projector in a location free from excessive dust and humidity to prevent the lens or internal components from becoming dirty.</p>	

Using the Product Safely

Safety Instructions	1
Safety Indications	1
General Information Indications	1
Precautions on Installing the Projector	1
Warnings and Cautions on the Installation Locations	3

Preparing the Projector

Package Contents	5
Mountable Lighting Tracks	6

Installation Procedure

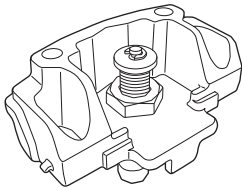
Preparing the Projector	7
Attaching the Mount to the Projector	8
Attaching the Rotating Unit	8
Attaching the Plate Unit	9
Attaching the Projector to the Lighting Track	11
Attaching the Stopper Unit	11
Attaching the Plate Unit to the Stopper Unit	12
Connecting Cables	15
Installing the Safety Wire	16

Appendix

Specification	18
Figures of Installation Dimensions	18

Package Contents

Check that you have all of the following accessories before you start work.



Stopper unit

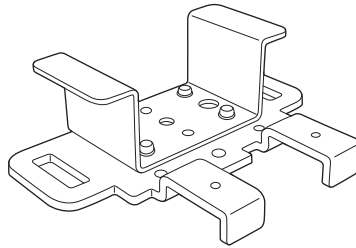
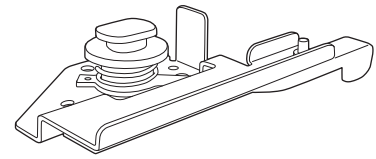
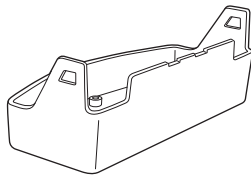


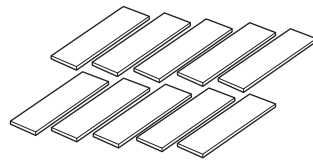
Plate unit



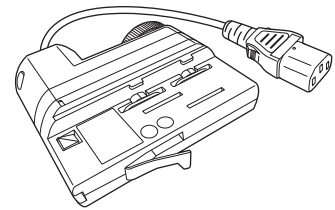
Rotating unit



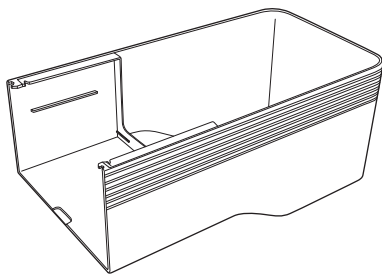
Stopper cover




Spacers x10



Power adapter



Power adapter cover

Shape	Name	Quantity	Application
	M4 x 10 mm cross recessed head screw (with washer)	10	Secures the mount.

- Make sure you use the bolts or screws supplied with this product to install mounts.
- Gather the tools and parts you need before you begin installation.

 **Caution**

Do not touch the sharp parts with unprotected hands as this could cause an injury.

Mountable Lighting Tracks

Check the model number of the lighting track you want to install on before performing installation.

You can attach the mount to the following types of lighting track.

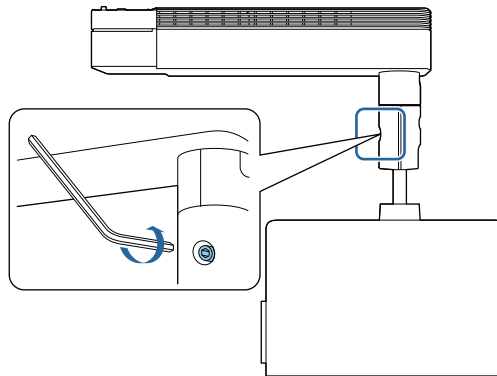
Manufacturer	Model Number
Halo	<ul style="list-style-type: none">• TEK441• TEK442• TEK443
Juno	<ul style="list-style-type: none">• TEK44FT (BL)• TEK44FT (WH)
Global trac tek	<ul style="list-style-type: none">• TEK44-1• TEK44-2• TEK44-3

Preparing the Projector

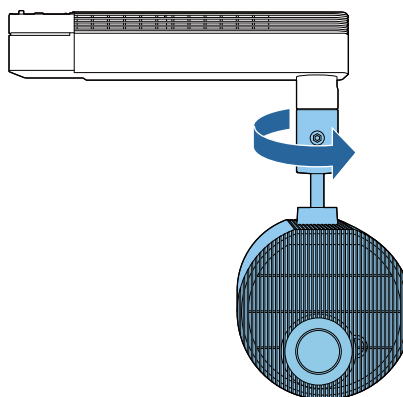
Adjust the orientation of the projector to make installing easier.

1 Place the projector on a flat surface on a soft cloth.

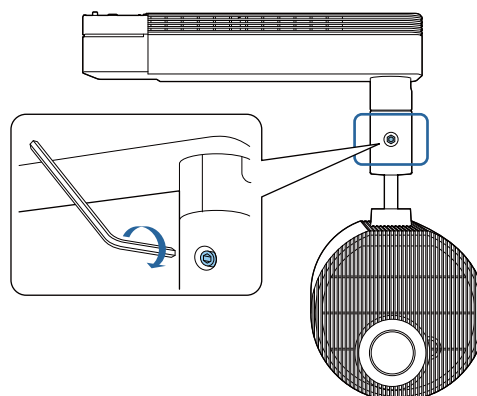
2 Loosen the screw for the ball joint with a hexagonal wrench supplied with the projector.



3 Change the projector's orientation.
You can change the orientation of the projector as shown below.



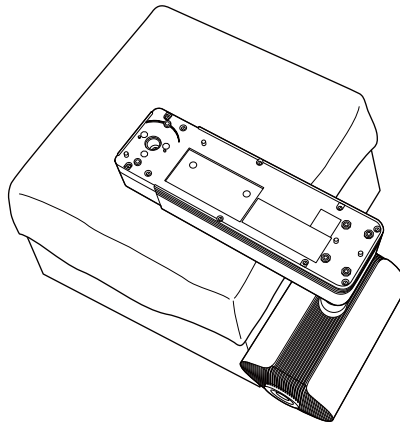
4 Tighten the screw for the ball joint with a hexagonal wrench to secure it in place.
Make sure you tighten the screw completely so that the ball joint does not move during installation.



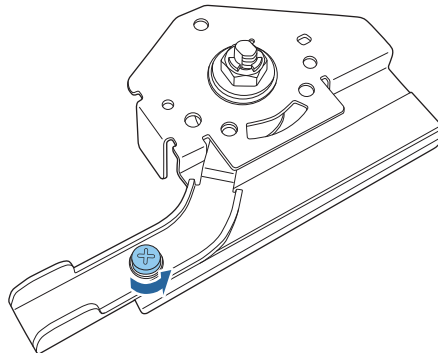
Attaching the Mount to the Projector

Attaching the Rotating Unit

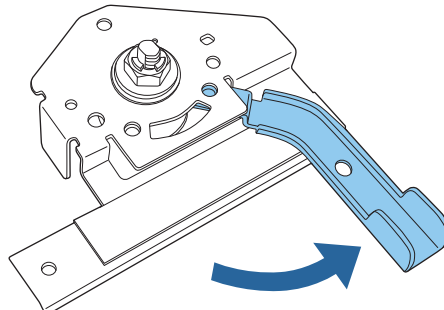
- 1 Place the projector on your workbench.
Place the projector on a soft cloth on a workbench (330 mm (13 inches) high).



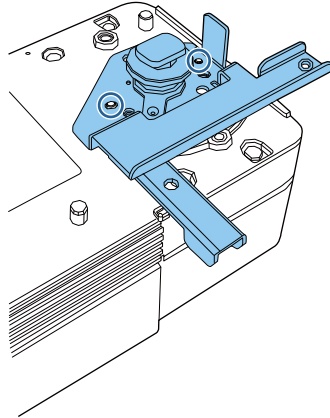
- 2 Remove the M4 x 10 mm screw securing the lever of the rotating unit.



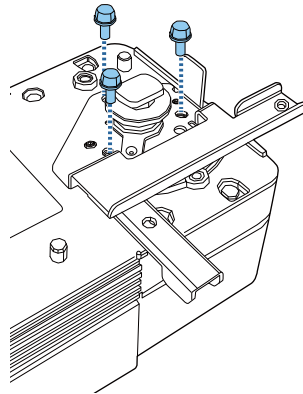
- 3 Rotate the lever 90 degrees counterclockwise.




- 4** Place the rotating unit on the projector.
Align the pins (2 points) on the projector with the holes on the rotating unit.

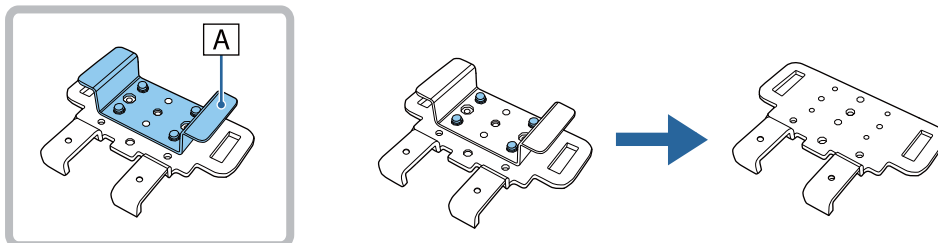


- 5** Secure the rotating unit to the projector using the M4 x 10 mm screws supplied (x3).



Attaching the Plate Unit

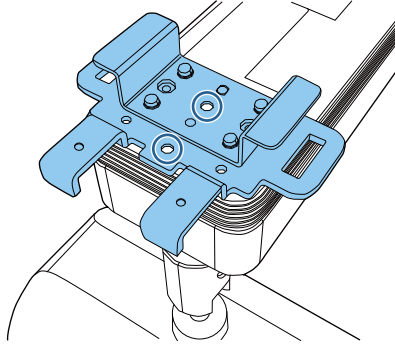
-  The plate unit includes a support bracket (**A**) that braces against the ceiling to minimize projector vibration. If your ceiling is not strong enough for direct contact, remove the support bracket.



1

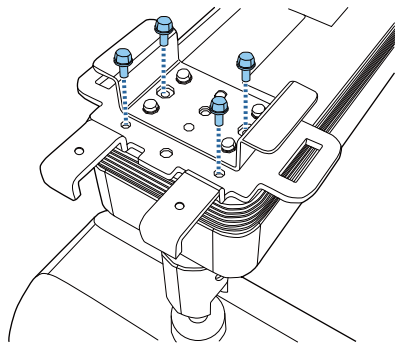
Place the plate unit on the projector.

Align the pins (2 points) on the projector with the holes on the plate unit.



2

Secure the plate unit to the projector using the M4 x 10 mm screws supplied (x4).



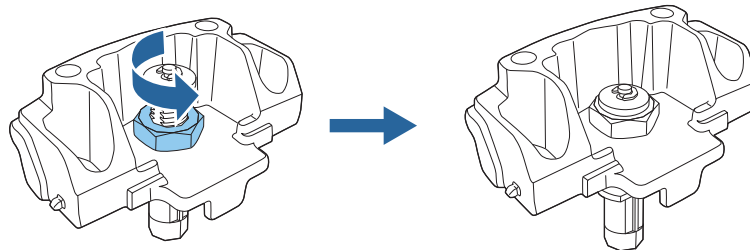
Attaching the Projector to the Lighting Track

Warning

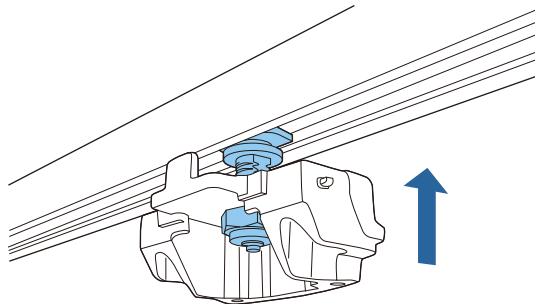
- Make sure you turn off the lighting track before performing installation work. Otherwise an electric shock could occur.
- Make sure the lighting track is firmly secured. Otherwise, the mount or projector may fall and cause an injury or accident to occur.

Attaching the Stopper Unit

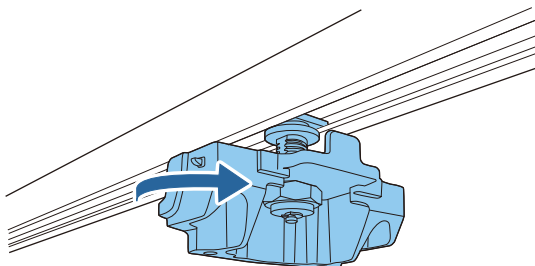
- 1** Loosen the nut for the stopper unit.
Loosen until the nut reached the end of the rotating shaft.



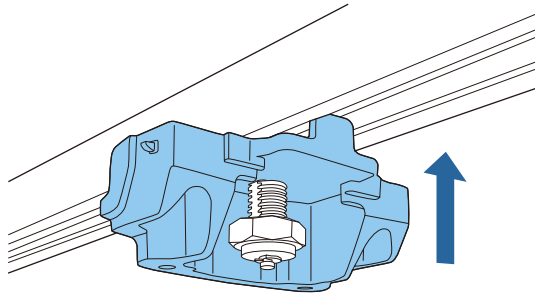
- 2** Insert the rotating shaft of the stopper unit into the groove on the lighting track.
Push the rotating shaft up so that the tip of the shaft fits into the duct.



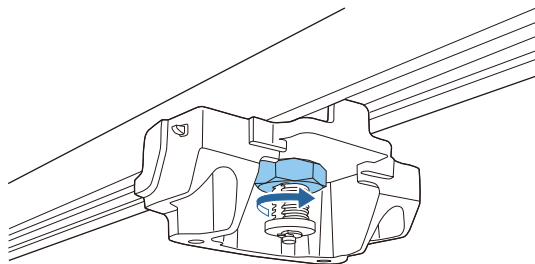
- 3** Rotate the stopper unit 90 degrees.
The rotating shaft for the stopper unit fits into the groove on the lighting track.



- 4 Push up the stopper unit to insert the protruding section into the groove on the lighting track.

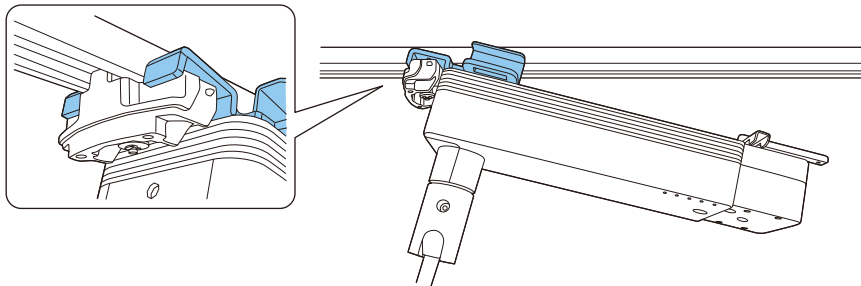



- 5 Completely tighten the nut for the stopper unit to secure the lighting track and the stopper unit.

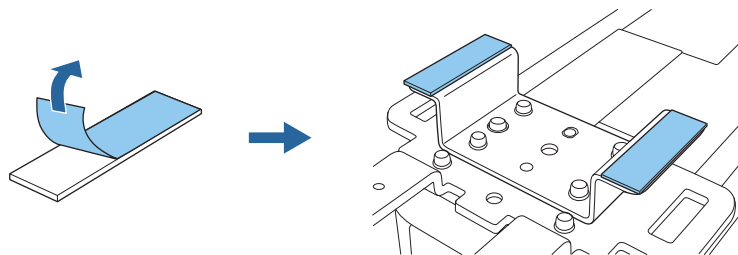


Attaching the Plate Unit to the Stopper Unit

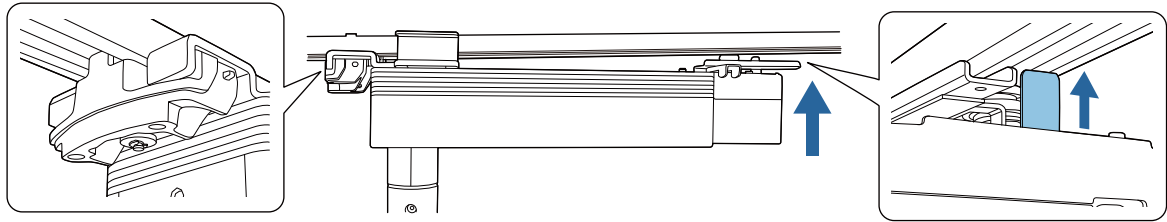
- 1 Attach the hook on the plate unit to the stopper unit.



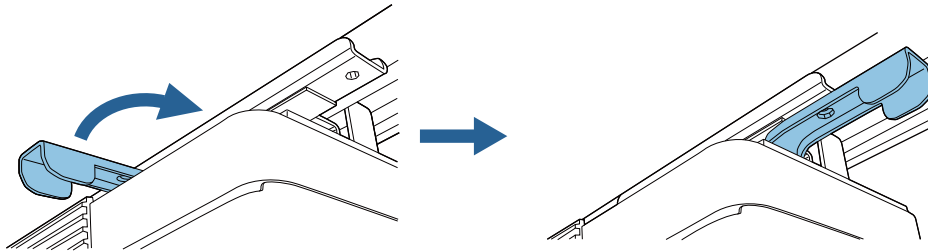
 If there is a gap between the ceiling and the support mount, attach the spacer supplied to the support bracket. If the gap is wide, insert multiple spacers.



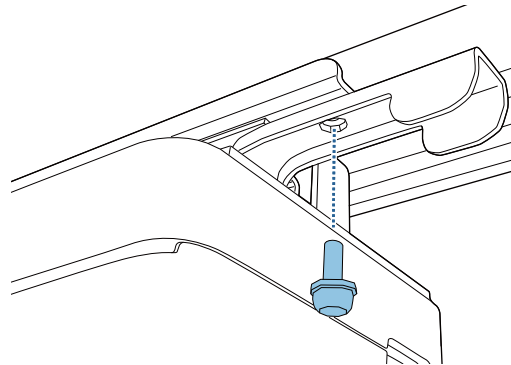
2 Insert the protruding section on the rotating unit into the groove on the lighting track.



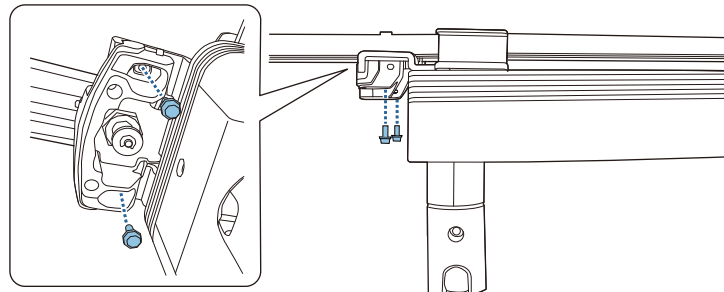
3 Rotate the lever of the rotating unit 90 degrees clockwise.
Rotate so that the screw hole positions overlap as shown in the following image.



4 Secure the lever for the rotating unit with the M4 x 10 mm screw (x1).
Secure using the screw removed in step 2 from "Attaching the Rotating Unit" [p.8](#).



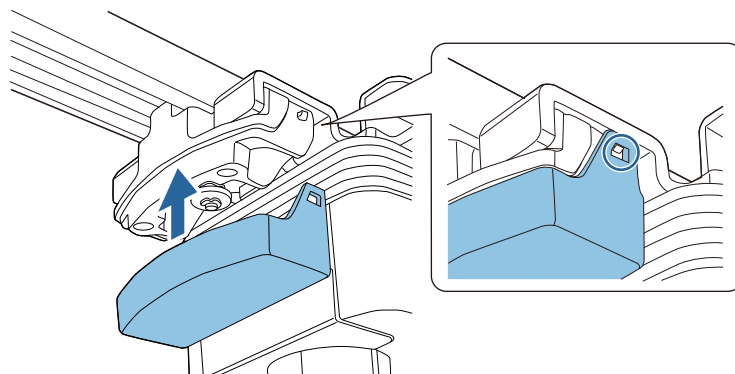
5 Secure the plate unit to the stopper unit using the M4 x 10 mm screws supplied (x2).



6

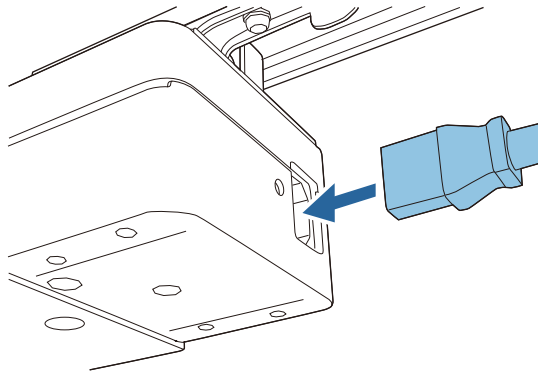
Attach the stopper cover to the stopper unit.

Press in the stopper unit tabs until they snap into the stopper cover.



Connecting Cables

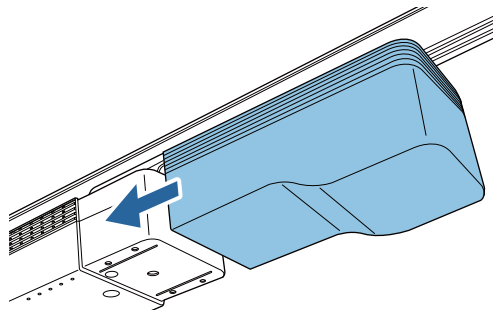
1 Connect the power adapter supplied to the projector's power inlet.



2 Connect the power adapter to the lighting track.

3 Connect the necessary cables and the SD card to the projector's interface.
Check the *Projector's User's Guide* for information on the connection ports.

4 Attach the power adapter cover supplied with the mount to the projector.




 **Caution**

Do not use the power adapter cover supplied with the projector.

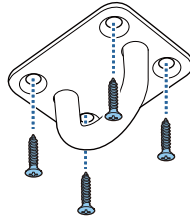
Installing the Safety Wire

Install the safety wire supplied to the projector to prevent the projector from falling.

 **Caution**

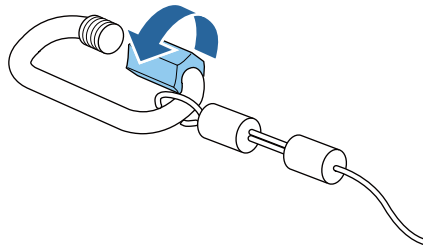
Attach the wire firmly so that it cannot come loose.

1 Attach the wire hook mount supplied with the projector to the ceiling.

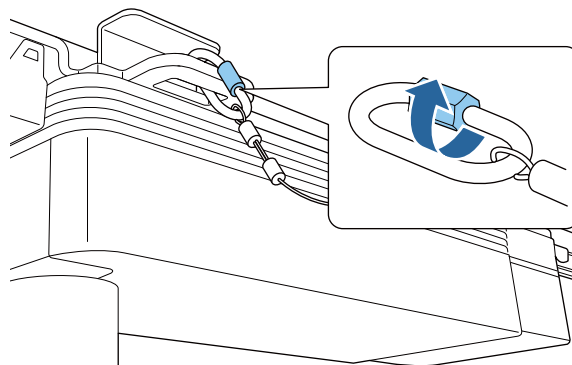


- When installing the wire hook mount, use commercially available wood screws with a nominal diameter of 3.8 mm (0.15 inch).
- Make sure that the wood screws enter at least 20 mm (0.8 inch) into the ceiling's underlay.

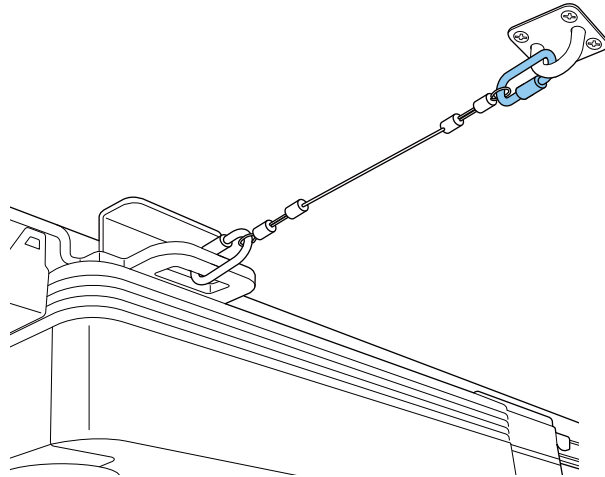
2 Loosen the carabiner for the safety wire supplied with the projector.



3 Insert the loosened carabiner through the hole in the plate unit, and then tighten it.



- 4 Attach the carabiner for the safety wire to the wire hook mount attached to the ceiling.



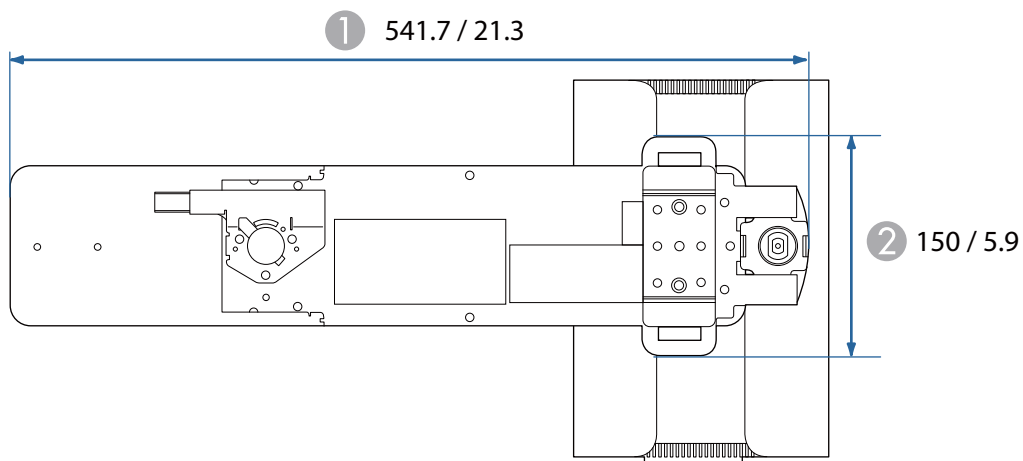
Specification

Item	Specification
Weight (stopper unit, plate unit, rotating unit, stopper cover)	Approx. 0.7 kg (1.5 lb)
Maximum load capacity	Approx. 5.9 kg (13 lb)
Exterior color	ELPMB54W: White ELPMB54B: Black

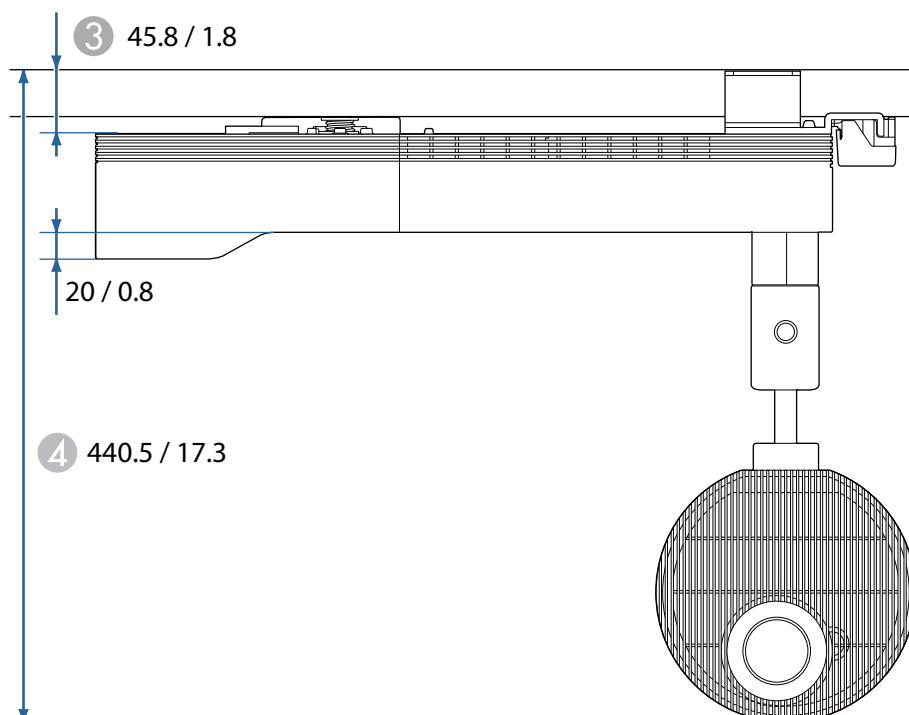
Figures of Installation Dimensions

The following provides the dimensions for the EV-100/105.

[Unit: mm/inches]



- ① Width of top of projector
- ② Vertical width of top of projector



- ③ Height from ceiling to top of projector
- ④ Height from ceiling to bottom of projector

©SEIKO EPSON CORPORATION 2018. All rights reserved.