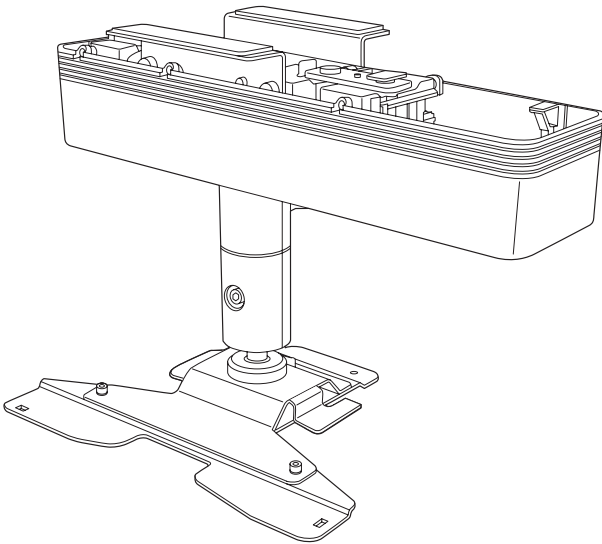


# ELPMB61



**Installation Guide** —●

English

**Guide d'installation** —●

Français

**Guía de instalación** —●

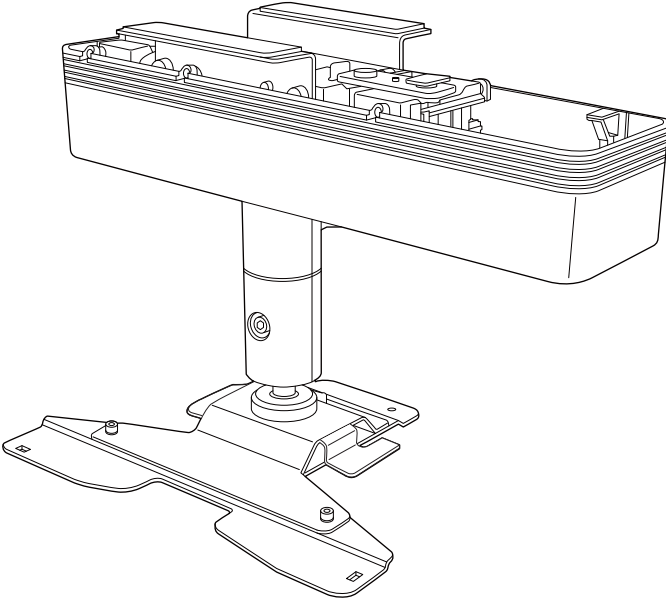
Español

**Manual de instalação** —●

Português

# ELPMB61

## Installation Guide



# Safety Instructions

This guide explains how to install the projector on a lighting track using the ELPMB61 Lighting Track Mount supplied.



Make sure you read this guide carefully to use the installation mounts and the projector safely. Incorrect handling that ignores instructions in this guide could damage this product or could result in personal injury or property damage. Keep this installation guide at hand for future reference.

Regarding how to handle the projector, read the *User's Guide* and *Safety Instructions* supplied with your projector and follow the instructions in these documents.




## Safety Indications

The documentation and this product use graphical symbols to show how to use this product safely and correctly to prevent injury to customers and others, and damage to property.





The indications and their meaning are as follows. Make sure you understand them properly before reading the guide.















Symbol	Explanation
 Warning	This symbol indicates information that, if ignored, could possibly result in personal injury or even death due to incorrect handling.
 Caution	This symbol indicates information that, if ignored, could possibly result in personal injury or physical damage due to incorrect handling.

## General Information Indications













Symbols	Explanation
	Symbol indicating an action that must not be done
	Symbol indicating an action that should be done
	Symbol indicating related or useful information



## Precautions on Installing the Projector

 Warning	
Installing the lighting track and installing the projector on a lighting track should only be performed by a professional with the necessary skills and know-how. If installation work is not carried out correctly, the mount or the projector could fall causing injury or accident to occur.	
Follow the instructions in this guide when performing installation work. If the instructions are not followed, the mount or the projector could fall causing injury or accident to occur.	
Installation should be performed by at least two people. Also, make sure you have a secure, stable footing so that you do not drop the mount or the projector.	






 Warning	
<p>Make sure you turn off the lighting track before performing work.</p> <p>If you perform work while the lighting track is turned on, an electric shock could occur.</p>	
<p>Make sure you use the safety wire supplied to connect the ceiling to the mount to prevent the mount from falling due to earthquakes or vibrations.</p>	
<p>Make sure you attach the safety wire supplied to the mount and the projector to prevent the projector from falling.</p>	
<p>Do not attach anything to this mount except for EPSON projector's that are compatible with this product.</p> <p>If you attach a projector that is not compatible with this product, the mount could fall or be damaged causing death or serious injury.</p> <p>Check the catalog for projectors that are compatible with this product.</p>	
<p>Note the following when handling the power cable. Otherwise, it could cause a fire or electric shock.</p> <ul style="list-style-type: none"> <li>• Do not handle the plug with wet hands</li> <li>• Do not use a damaged or modified power cable</li> <li>• Do not apply excessive force to the power cable</li> <li>• Do not trap the cable between parts of the mount and so on during installation</li> </ul>	
<p>Do not wind cables around the projector or the mount.</p>	
<p>When wiring cables and so on, route the cables so that it avoids the screws and bolts.</p> <p>If the cables come into contact with screws or bolts, it could cause a fire or electric shock to occur.</p>	
<p>Make sure you tighten the screws or bolts completely when installing.</p> <p>If they are not tightened completely, the mount or the projector could fall causing injury or accident to occur.</p>	
<p>Do not loosen or remove screws for no reason while installing or removing this product.</p>	
<p>When securing the mount, do not use adhesives to prevent the screws from loosening, and do not use lubricants, oils, and so on.</p> <p>If you use adhesives to prevent the screws from loosening, or if you use things such as lubricants or oils, the mount or the projector case may crack causing an injury or an accident.</p>	
<p>Do not hang from the mount or the projector, and do not place heavy objects on them.</p> <p>Otherwise, the mount or the projector may fall and could cause death or injury.</p>	
<p>Do not apply excessive force to the projector or the mount when installing.</p> <p>Otherwise, the mount or the projector may be damaged and could cause death or injury.</p>	
<p>Do not install in the following situations. Contact your local dealer or Epson Service Call Center.</p> <ul style="list-style-type: none"> <li>• If the product has been dropped or damaged before or during installation</li> <li>• If the mount is abnormal or damaged</li> </ul>	

**Warnings and Cautions on the Installation Locations**

 Warning	
<p>Only install on lighting tracks that support installation of this product. Otherwise, the mount or the projector may fall and could cause death or injury.</p>	
<p>Do not attach to the lighting track in the following ways. Otherwise, the lighting track could be damaged. Also, the mount or projector may fall and cause an injury or accident to occur.</p> <ul style="list-style-type: none"> <li>• Lighting tracks with distorted or damaged openings</li> <li>• Lighting tracks attached to walls, floors, or inclined locations</li> <li>• Lighting tracks attached to un-reinforced ceilings</li> <li>• Lighting tracks that are hung from pipes</li> <li>• Lighting tracks that are built-in to the ceiling</li> </ul>	
<p>Do not install or use the projector in locations where it could be exposed to rain or water, such as outdoors, in baths or shower rooms. Otherwise, it could cause a fire or electric shock.</p>	
<p>Do not use the projector in a location subject to combustible or explosive gas. If the inside of the projector gets too hot, it could ignite and cause a fire.</p>	
<p>Do not cover the projector's air intake vent or air exhaust vent. If either of the vents are covered, the projector's internal temperature could rise and cause a fire.</p>	
 Caution	
<p>Do not install the projector in a location outside the projector's operating temperature range. Such an environment may damage the projector.</p>	
<p>Install it away from air outlets such as air conditioners. If the air from an air conditioner and so on flows directly over the projector, the temperature rises and the projector may not operate correctly.</p>	
<p>Install it away from fluorescent lights. Some kinds of fluorescent lights could interfere with the remote control of the projector.</p>	
<p>Install it in a location where strong light such as fluorescent light and direct sunlight does not shine on the remote receiver. If strong rays of light shine on the remote receiver, remote control operations may not be performed correctly.</p>	
<p>Make sure you install the projector in a location free from excessive dust and humidity to prevent the lens or internal components from becoming dirty.</p>	

 Caution	
<p>Do not install the projector in a location subject to high levels of dust or humidity, or in a location subject to smoke or steam.</p> <p>Otherwise, it could cause a fire or electric shock to occur. The projector's case could also deteriorate and be damaged causing the projector to fall from the mount.</p> <p>Examples of environments that could cause the projector to fall due to case deterioration</p> <ul style="list-style-type: none"> <li>• Locations subject to excessive smoke or airborne oil particles, such as factories or kitchens</li> <li>• Locations containing volatile solvents or chemicals, such as factories or laboratories</li> <li>• Locations where the projector could be subjected to detergents or chemicals, such as factories or kitchens</li> <li>• Locations in which aroma oils are often used, such as relaxation rooms</li> <li>• Near devices that produce excessive smoke, airborne oil particles, or foam at events</li> </ul>	

### Precautions on Handling After Installing

 Warning	
<p>Never loosen the screws or bolts after installation.</p> <p>Make sure that you check for any loose screws or bolts on a regular basis, and if any are loose, tighten them completely. If they are not tightened completely, the mount or the projector could fall causing injury or accident to occur.</p>	
<p>Do not apply excessive force to the mount or hang from the mount.</p>	
<p>Never disassemble or remodel this product except as instructed in this guide.</p>	
<p>Do not use a wet cloth or solvents such alcohol, benzine, or thinner, when cleaning the product.</p> <p>Water could get into the projector or the case could deteriorate and crack causing an electric shock to occur.</p>	

## **Using the Product Safely**

---

<b>Safety Instructions</b> .....	<b>1</b>
Safety Indications .....	1
General Information Indications .....	1
Precautions on Installing the Projector .....	1
Warnings and Cautions on the Installation Locations .....	3
Precautions on Handling After Installing .....	4

## **Preparing the Projector**

---

<b>Package Contents</b> .....	<b>6</b>
<b>Mountable Lighting Tracks</b> .....	<b>8</b>

## **Installation Procedure**

---

<b>Attaching the Mount to the Projector</b> .....	<b>9</b>
Attaching the Projector Plate .....	9
Attaching the Arm Unit .....	10
<b>Installing the Safety Wire</b> .....	<b>12</b>
<b>Attaching the Projector to the Lighting Track</b> .....	<b>13</b>
Attaching the Lighting Track Unit .....	13
Attaching the Arm Unit .....	14
Attaching the Support Mount .....	15
Attaching the Power Supply Unit .....	17
<b>Connecting Cables</b> .....	<b>18</b>
<b>Installing the Mount Cover and Safety Wire</b> .....	<b>19</b>
<b>Adjusting the Orientation of the Projector</b> .....	<b>23</b>

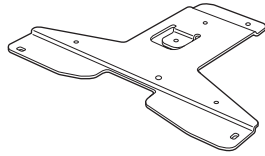
## **Appendix**

---

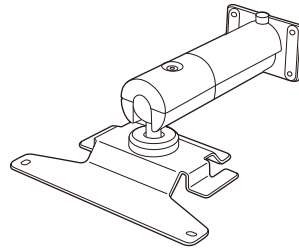
<b>Specification</b> .....	<b>25</b>
Appearance .....	25

# Package Contents

Check that you have all of the following accessories before you start work.



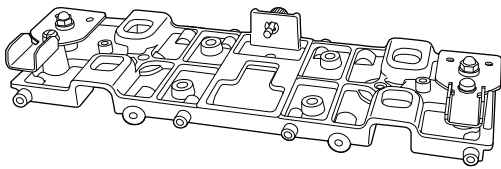
Projector plate



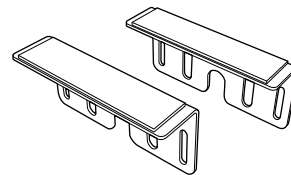
Arm unit



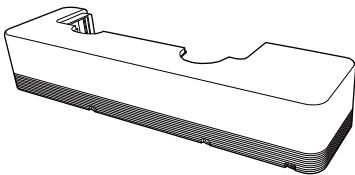
Cable clamp



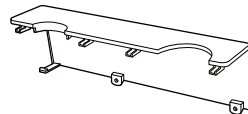
Lighting track unit



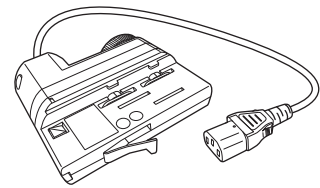
Support mount (x 2)



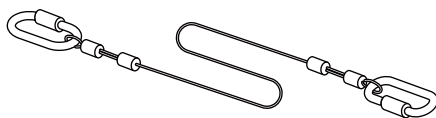
Mount cover A



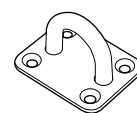
Mount cover B



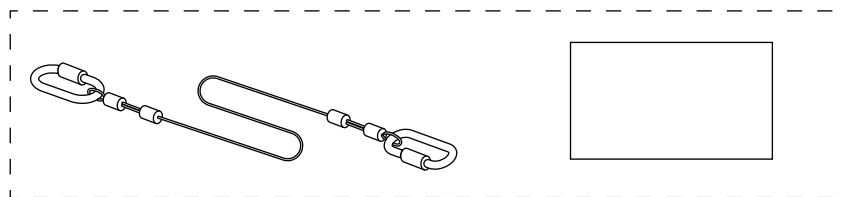
Power supply unit



Safety wire  
(500 mm)

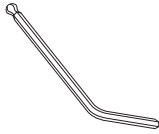


Wire hook mount

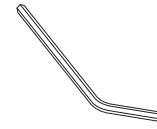


Safety wire set (safety wire (500 mm) and *User's Guide*)


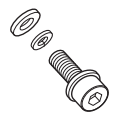






Hexagonal wrench (M4 ball point)



Hexagonal wrench (M6)

Shape	Name	Quantity	Application
	M4 x 14 mm hexagonal recessed head screw (with washer): black	4	Secures the arm unit to the lighting track unit.
	M4 x 10 mm hexagonal recessed head screw (with washer): silver	4	Secures the projector plate to the projector.
		3	Secures the arm unit to the projector plate.
	M4 x 8 mm knurled screw	4	Secures the support mounts.
	M3 x 6 mm cross recessed head screw	6	Secures the mount cover.

- Make sure you use the bolts or screws supplied with this product to install mounts.
- Gather the tools and parts you need before you begin installation.



### Caution

Do not touch the sharp parts with unprotected hands as this could cause an injury.



## Mountable Lighting Tracks

Check the model number of the lighting track you want to install on before performing installation.


You can attach this product to the following types of lighting track.

The following information is current as of December 2018. This could be changed without prior notice.

Manufacturer	Model Number
Halo	<ul style="list-style-type: none"><li>• TEK441</li><li>• TEK442</li><li>• TEK443</li></ul>
Juno	<ul style="list-style-type: none"><li>• TEK44FT (BL)</li><li>• TEK44FT (WH)</li></ul>
Global trac tek	<ul style="list-style-type: none"><li>• TEK44-1</li><li>• TEK44-2</li><li>• TEK44-3</li></ul>

## Attaching the Mount to the Projector

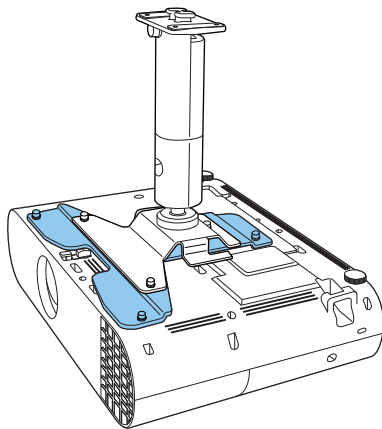
Attach the projector plate and arm unit to the base of the projector.

 **Caution**

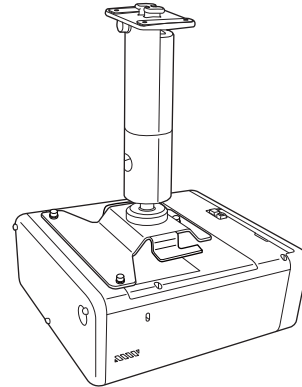
Make sure you use the screws supplied when attaching the mount to the projector.

### Attaching the Projector Plate

You may not need to attach the projector plate depending on the model you are using. Go to the arm unit installation procedure.

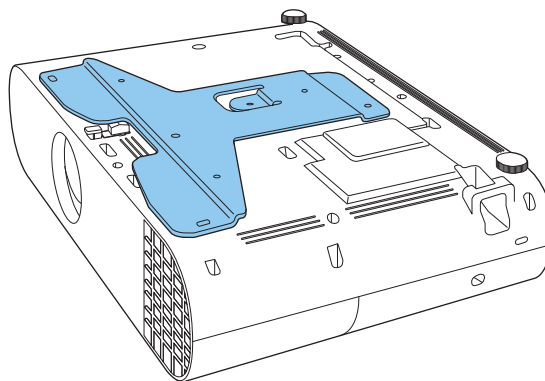


Projector plate necessary



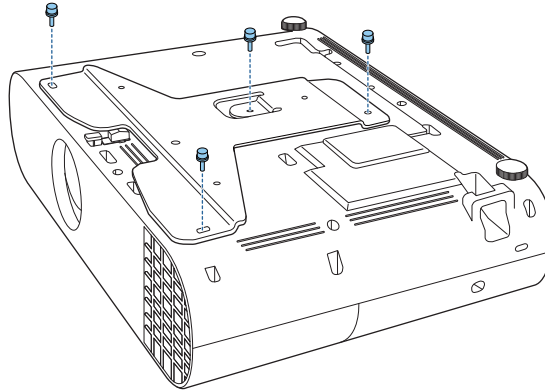
Projector plate un-necessary

- 1** Place the projector plate on the base of the projector.  
Align the screw holes on the projector's mount fixing point with the screw holes on the projector plate.



2

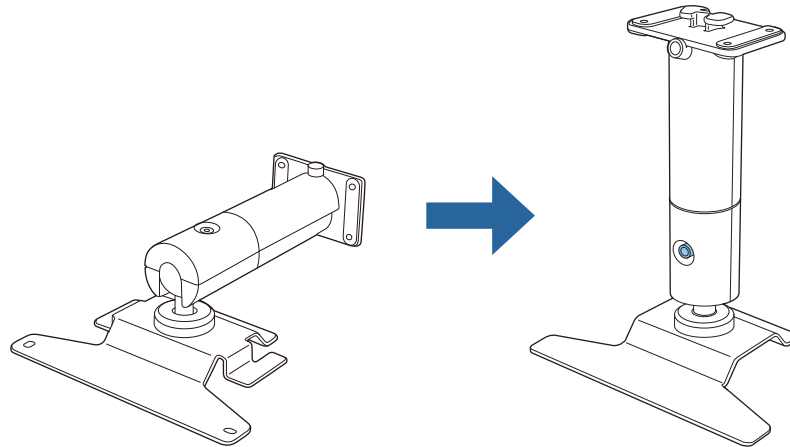
Secure the projector plate using the M4 x 10 mm screws supplied (x4).



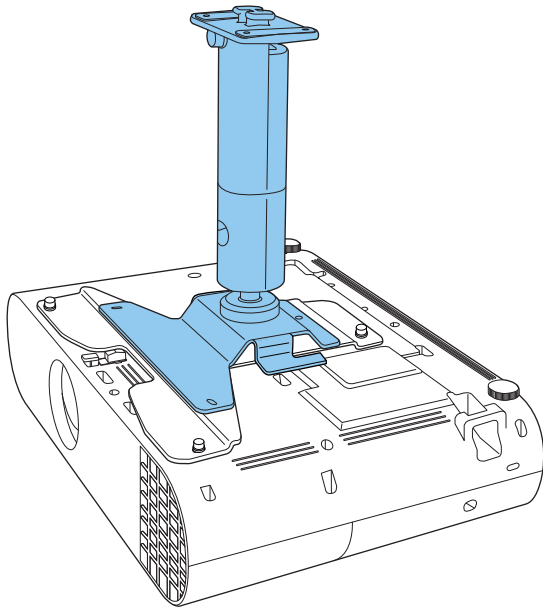
### Attaching the Arm Unit

1

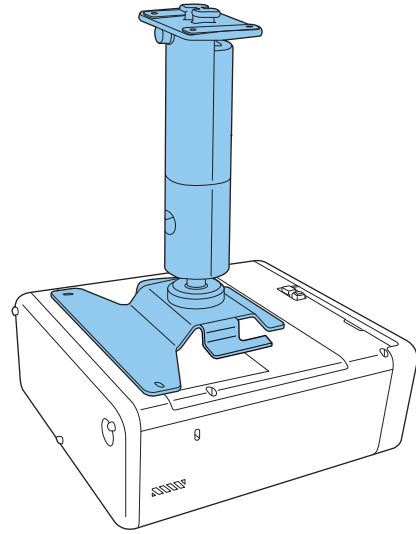
Straighten the arm unit and tighten the screws.



- 2** Place the arm unit on the projector.  
Align the screw holes on the projector plate or the screw holes on the projector with the screw holes on the arm unit.

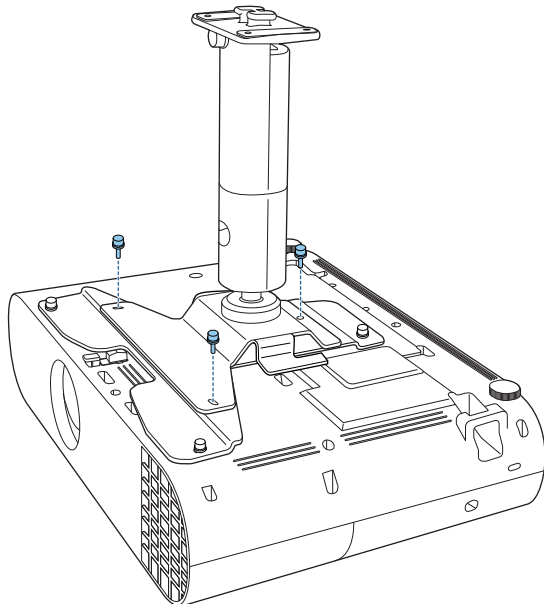


With projector plate

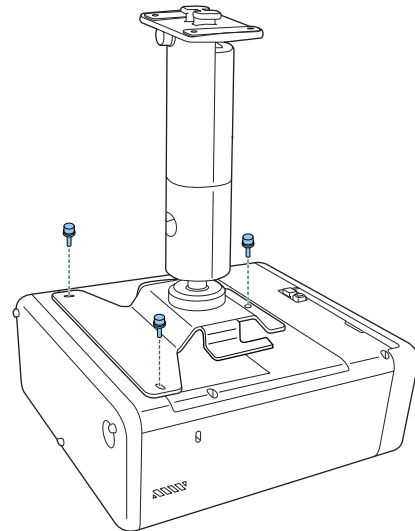


Without projector plate

- 3** Secure the arm unit to the projector using the M4 x 10 mm screws supplied (x3).



With projector plate



Without projector plate

## Installing the Safety Wire

When installing in a high location such as a ceiling, wall, or on a shelf, after attaching the arm unit, install the safety wire supplied to prevent the projector from falling.

For details on the installation procedure, see the *User's Guide* supplied with the safety wire set.

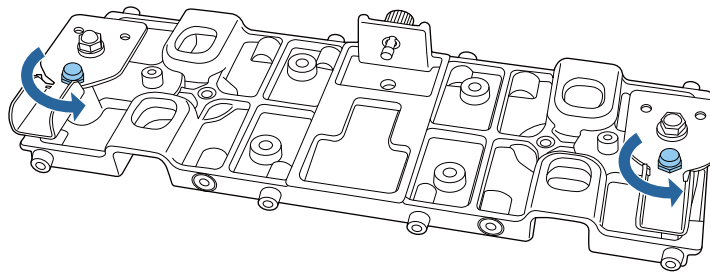
# Attaching the Projector to the Lighting Track

## Attaching the Lighting Track Unit

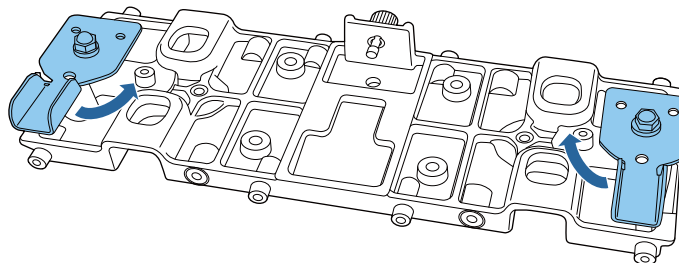
### Warning

- Make sure you turn off the lighting track before performing installation work. Otherwise an electric shock could occur.
- Make sure the lighting track is firmly secured. Otherwise, the mount or projector may fall and cause an injury or accident to occur.

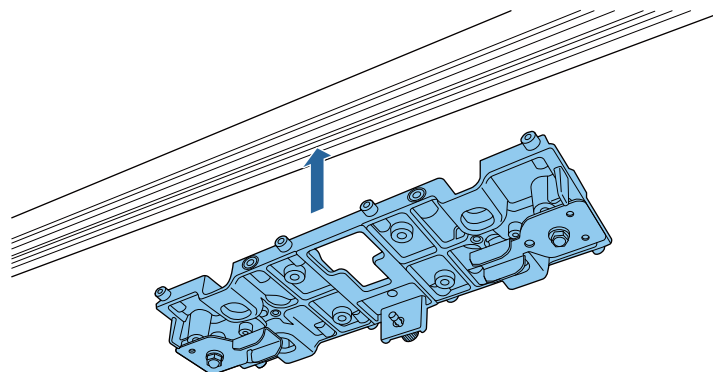
**1** Remove the screws from the levers at both ends of the lighting track unit.



**2** Rotate the levers at both ends of the lighting track unit by 90 degrees.

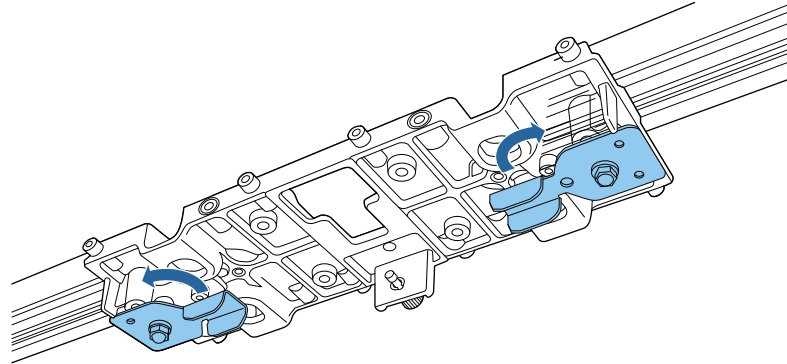


**3** Insert the lighting track unit into the lighting track where you will install the projector.



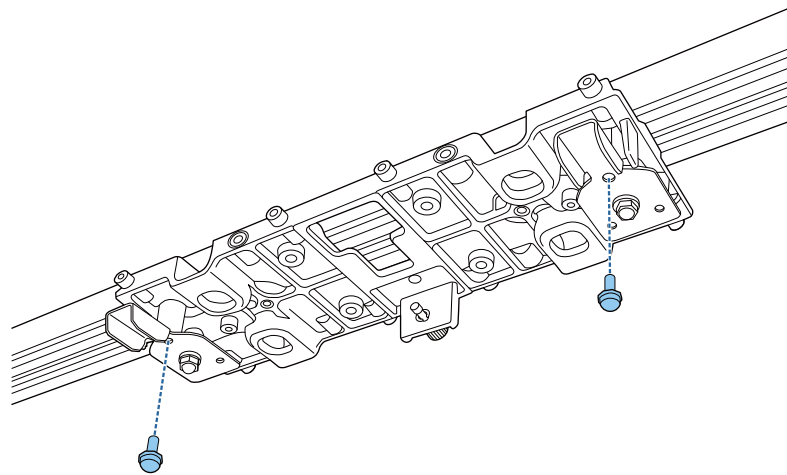
4

Rotate both levers of the lighting track unit 90 degrees.  
The lighting track unit is now temporarily secured.



5

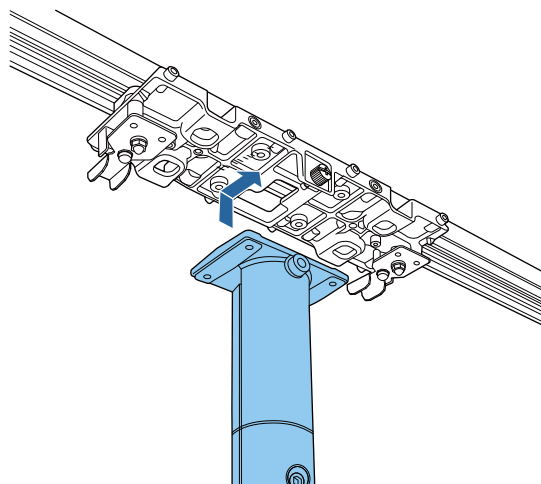
Secure both levers by using the M4 x 10 mm screws (x2) that you removed in step 1.



### Attaching the Arm Unit

1

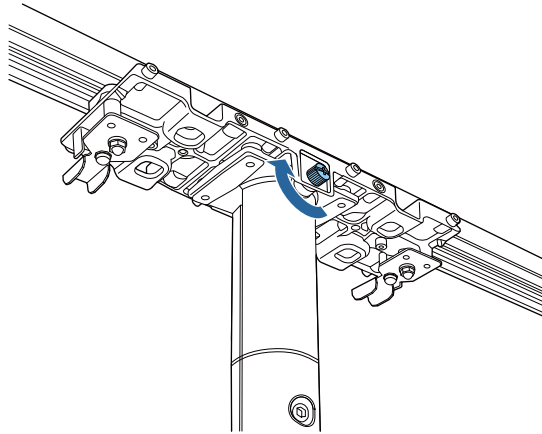
Insert the arm unit into the gap in the lighting track unit.  
Slide it to the front side, and align the screws for the lighting track unit with the screw holes in the arm unit.





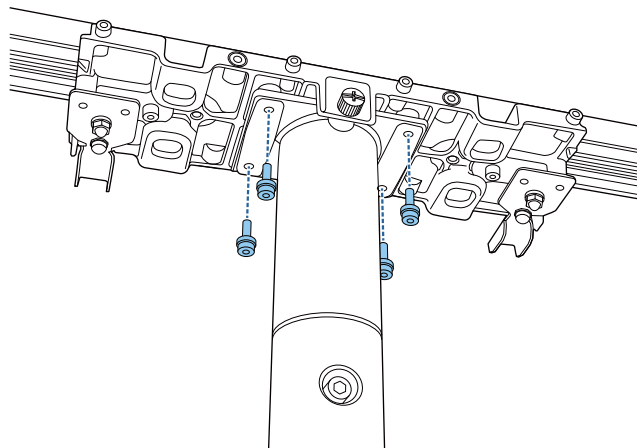
2

Tighten the screws in the lighting track unit to temporarily secure the arm unit.



3

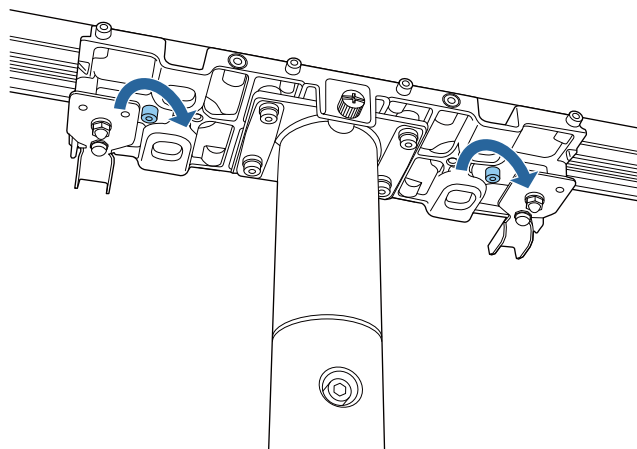
Tighten the M4 x 14 mm screws supplied (x4) with a hexagonal wrench (M4 ball point) to secure the arm unit.



4

After checking the position of the projector, tighten the two screws on the sides of the levers using the hexagonal wrench (M4 ball point) supplied.

The lighting track unit is now secured.



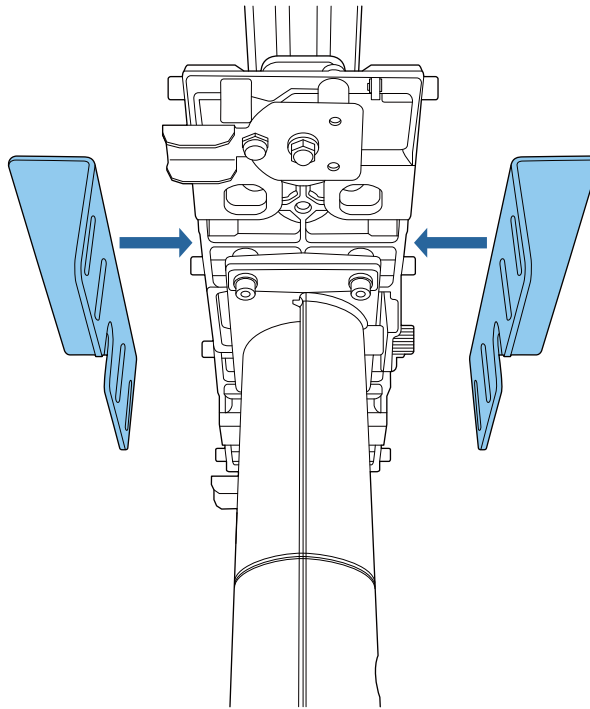
### Attaching the Support Mount

We recommend installing the support mount to prevent vibrations from the lighting track being transmitted to the projector.

If your ceiling is not strong enough, do not install the support mount.

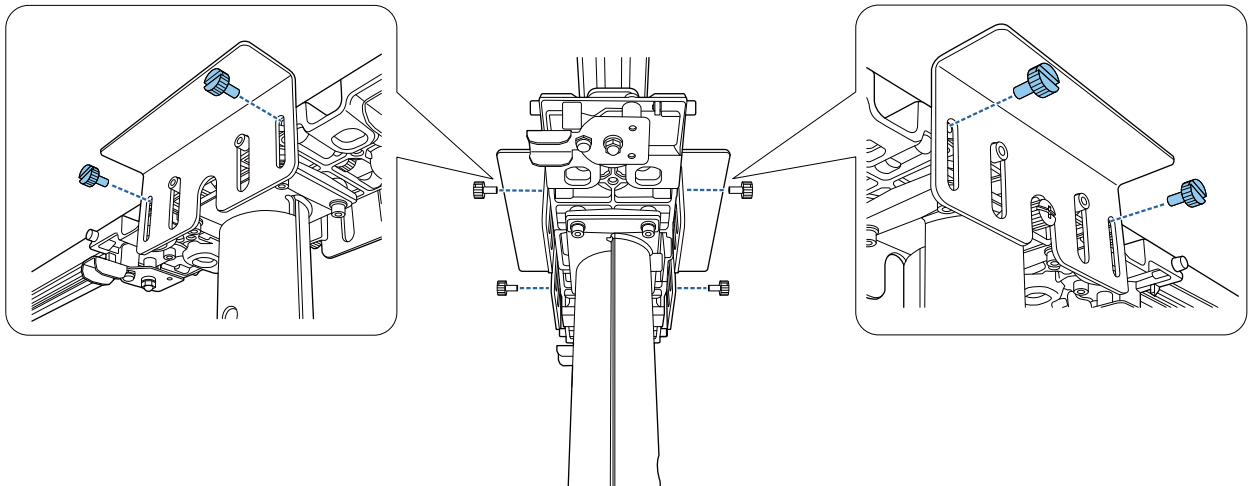
---

**1** Insert the support mount into the protrusions at both ends of the lighting track unit.



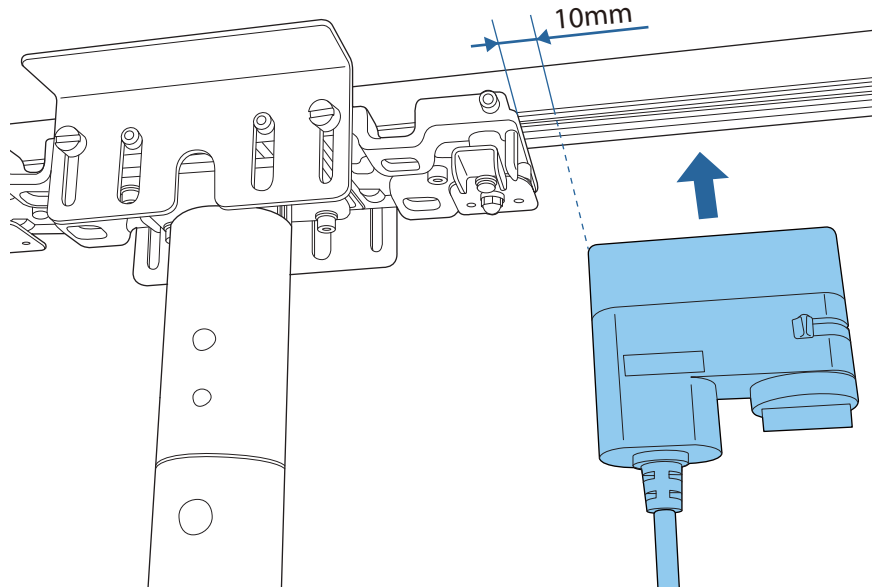
**2** Make sure that the support mount is flush against the ceiling with no gaps, and secure it with the M4 x 8 mm knurled screws (x4) supplied.

Further tighten the screws with a flathead screwdriver to prevent the support mount from moving.

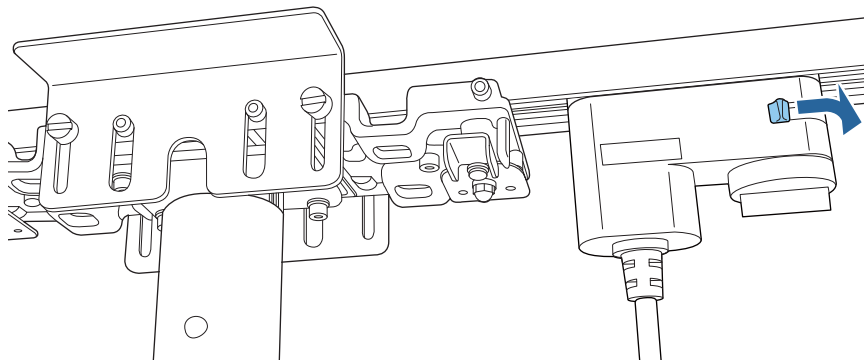


## Attaching the Power Supply Unit

- 1** Insert the power supply unit into the grooves in the lighting track.  
Allow approximately 10 mm between the lighting track unit and the power supply unit to align the position of the power cable with the groove in the mount cover.



- 2** Pull the lever on the power supply unit.  
The power supply unit is now secured to the lighting track.



- 3** Connect the power cable to the projector's power inlet.

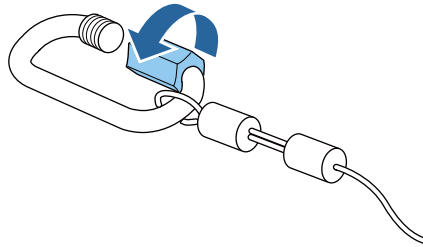
## Connecting Cables

Connect the necessary cables to the projector's connection ports.

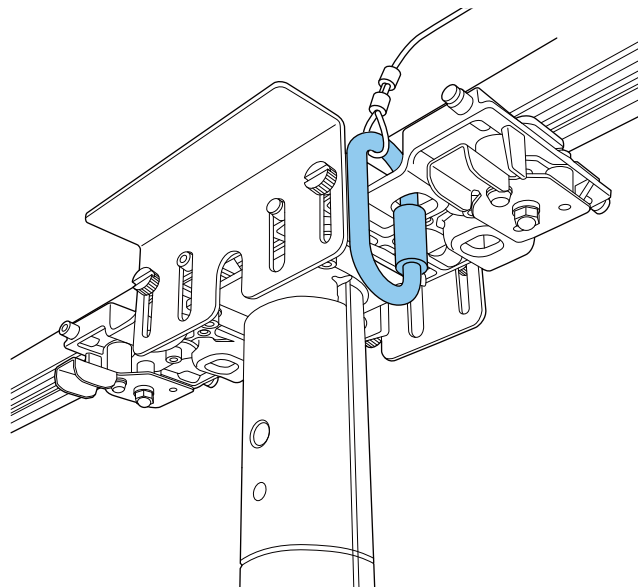
Check the Projector's *User's Guide* for information on the connection ports.

# Installing the Mount Cover and Safety Wire

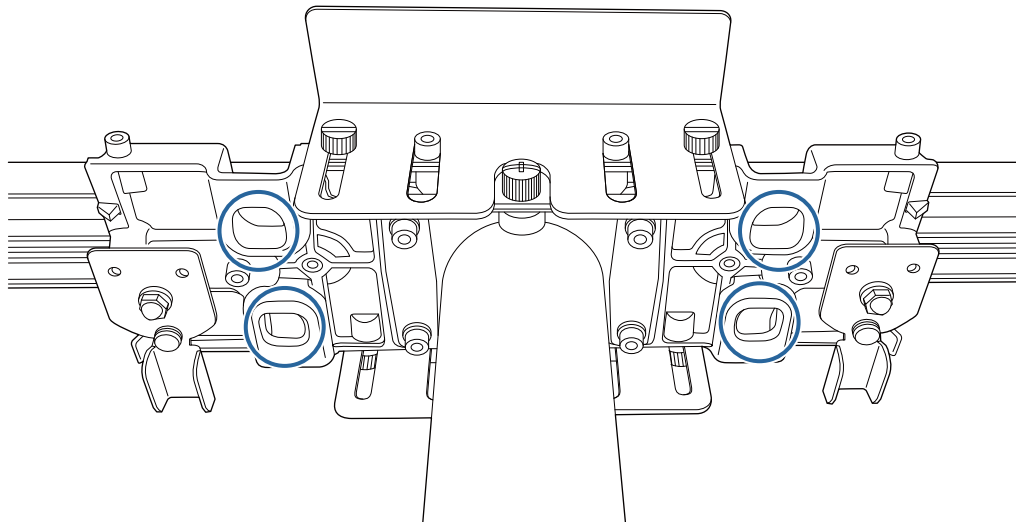
1 Loosen the carabiner for the safety wire supplied.



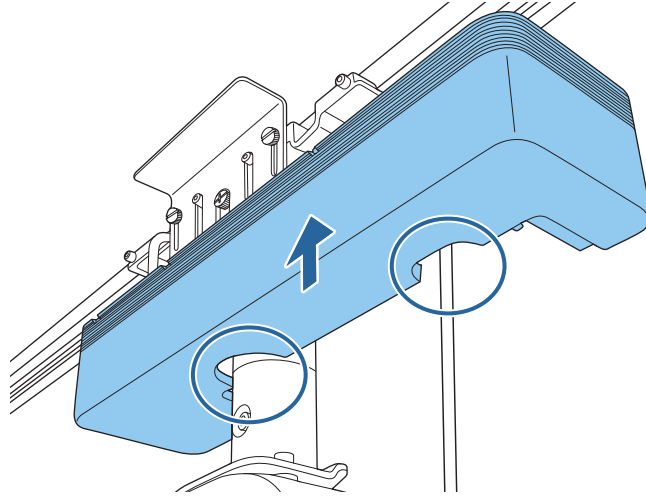
2 Insert the loosened carabiner through the hole in the lighting track unit, and then tighten it.



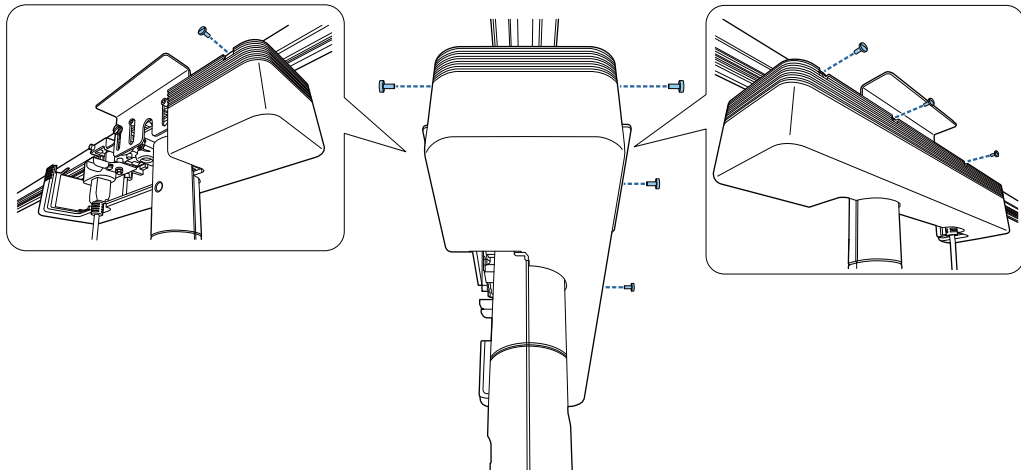
You can insert it through any of the following holes.



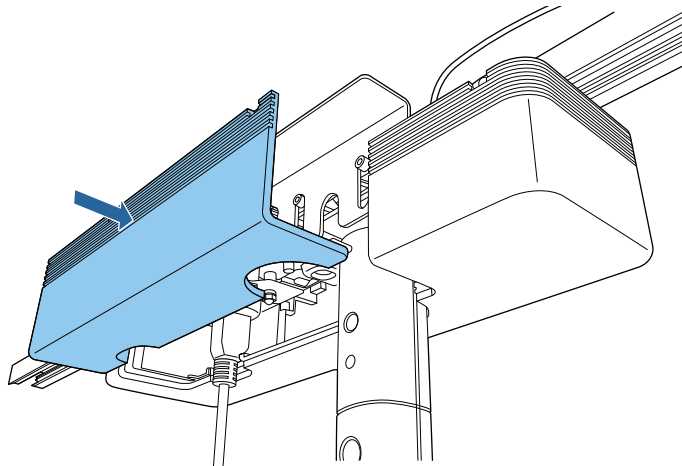
- 3** Attach mount cover A to the lighting track unit.  
Align the arm unit and the power cable with their respective notches, and then slide up the cover.



- 4** Secure mount cover A using the M3 x 6 mm screws supplied (x4).

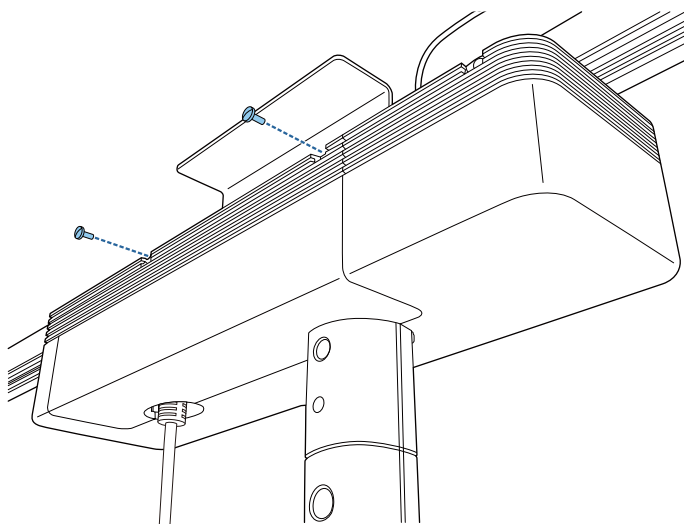


- 5** Attach mount cover B.  
Hook it over mount cover A and secure it temporarily.



6

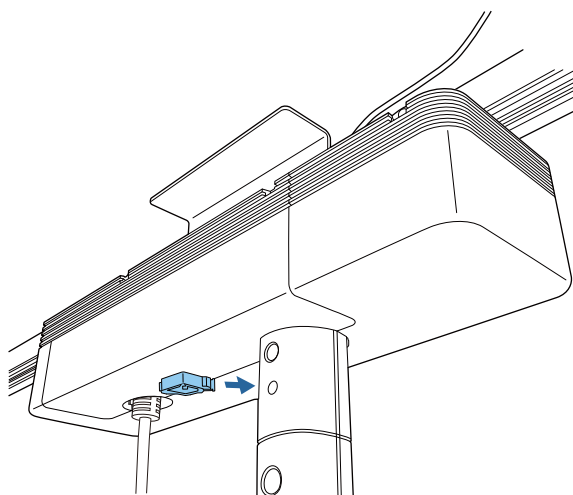
Secure mount cover B using the M3 x 6 mm screws supplied (x2).



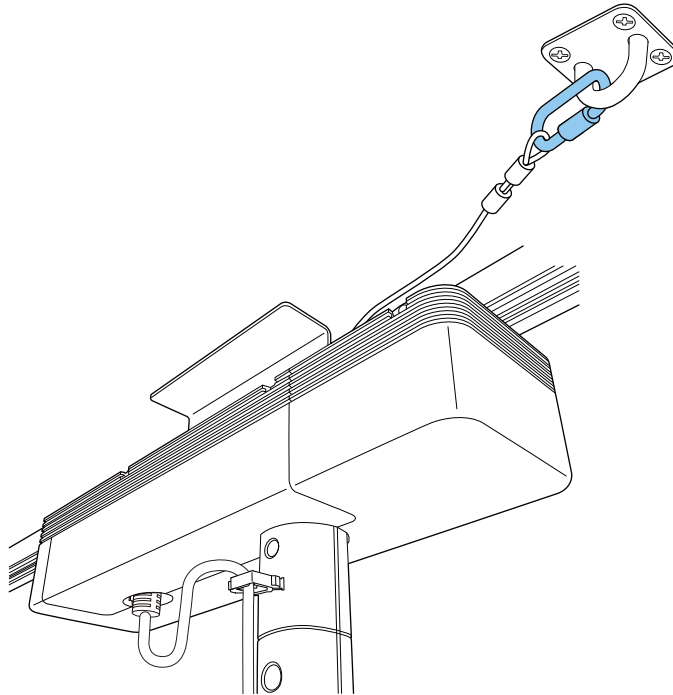
7

Attach the cable clamp to the arm unit.

Insert the cable clamp to fit through the holes in the arm unit, and then pass the cable through.



8 Install the wire hook mount to the ceiling, and then attach the carabiner for the safety wire.



 **Caution**

Determine the installation position for the wire hook mount so that the wire cannot come loose.



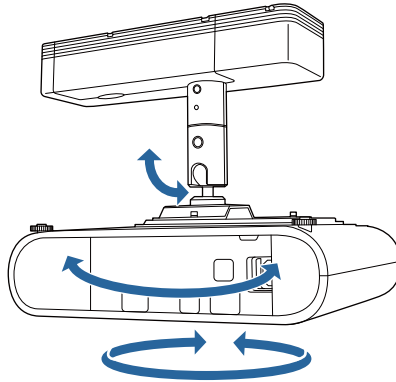
- When installing the wire hook mount, use commercially available wood screws with a nominal diameter of 3.8 mm.
- Make sure that the wood screws enter at least 20 mm into the ceiling's underlay.



## Adjusting the Orientation of the Projector

You can use the ball joint on the projector support section to adjust the orientation and the angle of the projector.

The range of angles available varies depending on the model you are using. For more details, see the *User's Guide* supplied with the projector.



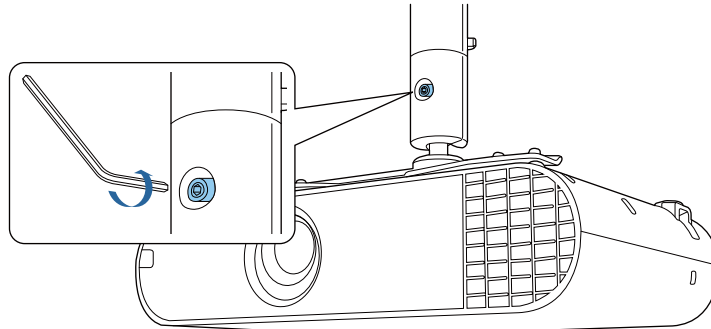
- 1 Press the power button on the projector or the remote control.

The projector turns on.

 **Caution**

Before turning on the projector, make sure the mount is firmly secured.

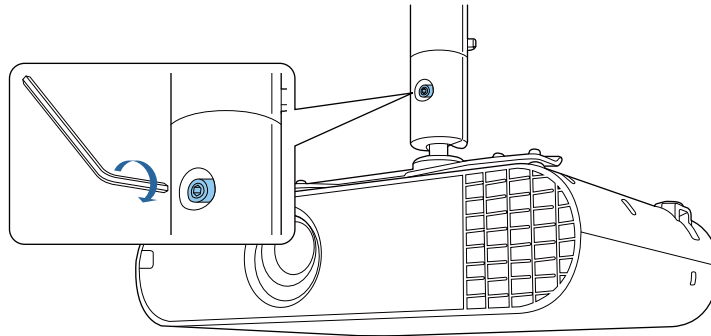
- 2 Loosen the screw for the arm unit's ball joint with a hexagonal wrench (M6).



- 3 Adjust the orientation of the projector.

Make sure you support the projector from underneath while adjusting the orientation.

- 4 When you have finished making adjustments, securely tighten the screw for the ball joint section with a hexagonal wrench (M6).



- After making adjustments, make sure you tighten the screws of the ball joint completely. If they are not tightened completely, the angle of the projector will change shifting the position of the image.
- After adjusting the orientation of the projector, adjust the size and focus of the projected image. For more details, see the *User's Guide* supplied with the projector.

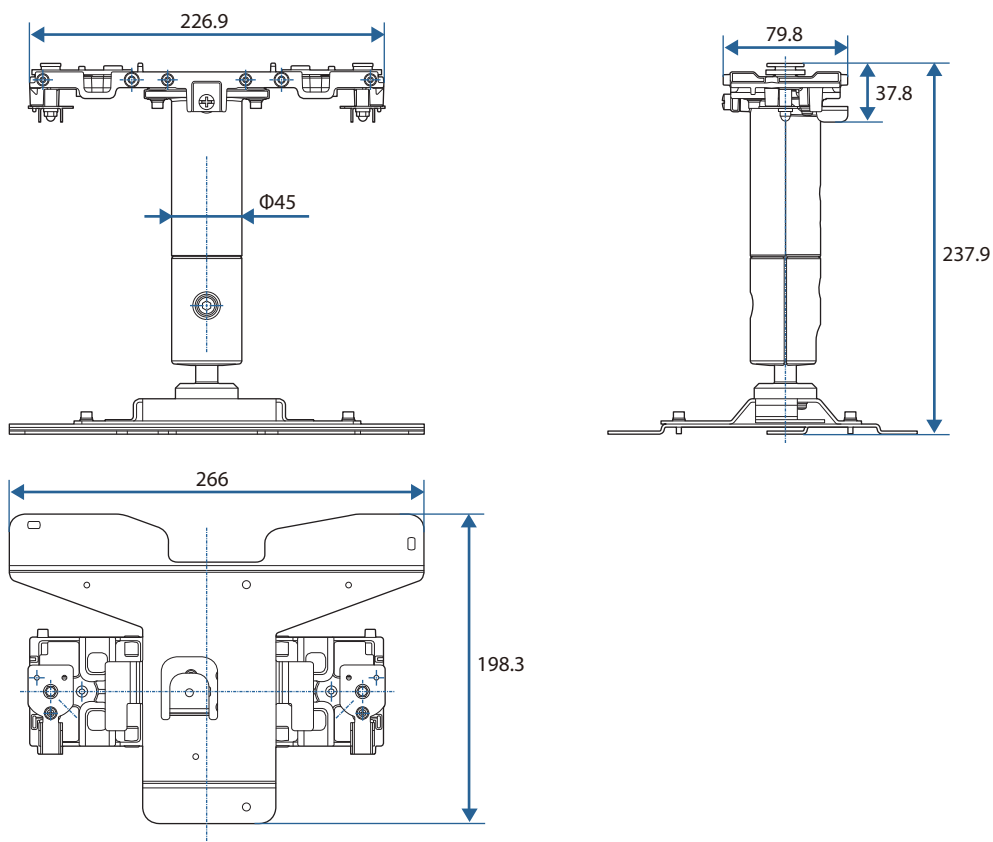
# Specification

Item	Specification
Mass (projector plate, arm unit, lighting track unit, support mount, mount cover A/B)	Approx. 2.5kg
Maximum load capacity	Approx. 10.0kg

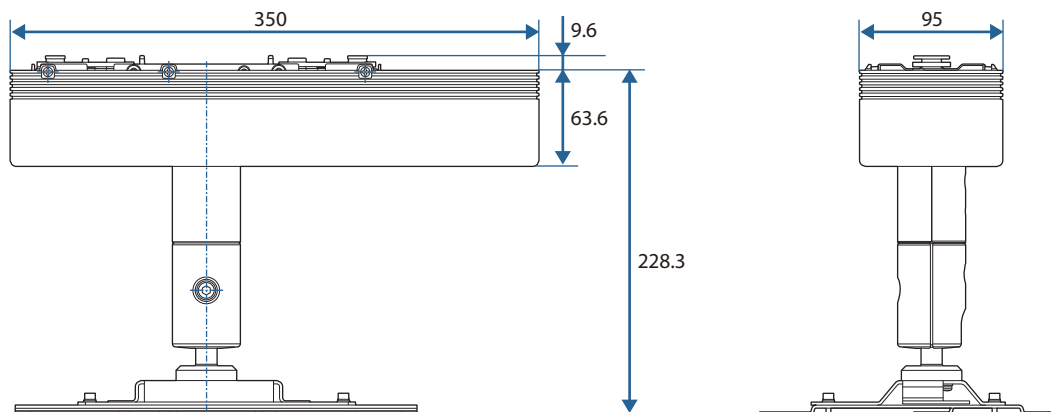
## Appearance

[Unit: mm]

Without the mount cover



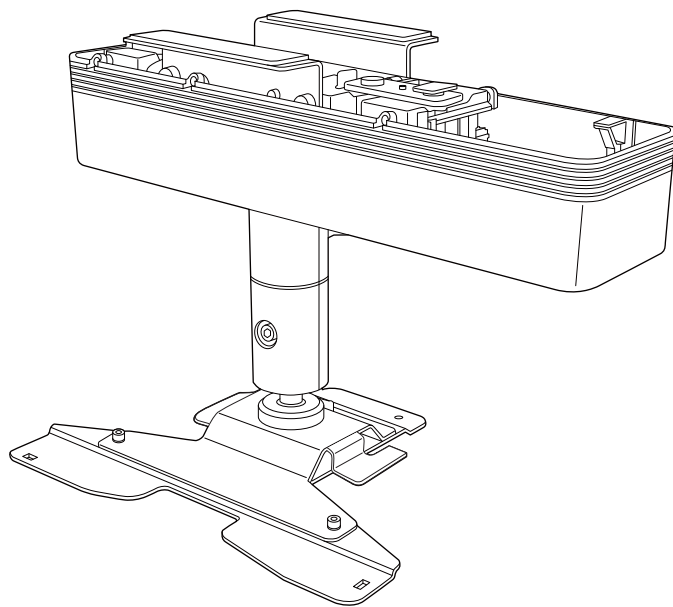
With the mount cover attached



©SEIKO EPSON CORPORATION 2019. All rights reserved.

# ELPMB61

## Guide d'installation



## Consignes de sécurité

Ce guide explique comment installer le projecteur sur rail lumineux à l'aide du Montage sur rail lumineux ELPMB61 fourni.



Assurez-vous de lire attentivement le présent guide afin d'utiliser les supports d'installation et le projecteur en toute sécurité. Une manipulation incorrecte ne respectant pas ces consignes pourrait endommager ce produit ou provoquer des blessures corporelles ou des dommages matériels. Conservez ce guide d'installation à portée de main pour pouvoir vous y reporter ultérieurement.

Concernant la façon de manipuler le projecteur, lisez le *Guide de l'utilisateur* et les *Consignes de sécurité* fournis avec votre projecteur et suivez les instructions contenues dans ces documents.




### Indications de sécurité

La documentation et ce produit utilisent des symboles graphiques pour indiquer comment utiliser ce produit correctement et en toute sécurité afin d'éviter de blesser les clients et autres, et d'endommager les biens.




Les indications et leur signification sont les suivantes. Assurez-vous de bien les comprendre avant de lire le guide.















Symbole	Explication
 Avertissement	Ce symbole signale des informations qui, si elles sont ignorées, peuvent provoquer des blessures, voire la mort, en raison d'une manipulation incorrecte.
 Attention	Ce symbole indique des informations qui, si elles sont ignorées, peuvent provoquer des blessures ou des dommages physiques, en raison d'une manipulation incorrecte.



### Indications d'informations générales

Symboles	Explication
	Symbole indiquant une action à ne pas faire
	Symbole indiquant une action à faire
	Symbole signalant des informations connexes ou utiles







### Précautions relatives à l'installation du projecteur






 Avertissement	
L'installation du rail d'éclairage et du projecteur sur un rail d'éclairage ne doit être effectuée que par un professionnel possédant les compétences et le savoir-faire nécessaires. Si les travaux d'installation ne sont pas effectués correctement, le support ou le projecteur peut tomber et provoquer des blessures ou un accident.	
Suivez les instructions du présent guide pour effectuer les travaux d'installation. Si les instructions ne sont pas respectées, le support ou le projecteur peut tomber et provoquer des blessures ou un accident.	




 Avertissement	
L'installation doit être effectuée par au moins deux personnes. Assurez-vous également que votre posture est stable et sûre, afin de ne pas faire tomber le support ou le projecteur.	
Assurez-vous d'éteindre le rail d'éclairage avant d'effectuer les travaux. Si vous effectuez les travaux alors que le rail d'éclairage est allumé, il existe un risque d'électrocution.	
Assurez-vous d'utiliser le câble de sécurité fourni pour raccorder le plafond et le support afin d'éviter que le support ne tombe suite à un tremblement de terre ou à des vibrations.	
Assurez-vous d'attacher le câble de sécurité fourni au support et au projecteur afin d'éviter que le projecteur ne chute.	
Ne fixez rien sur ce support hormis des projecteurs EPSON compatibles avec ce produit. Si vous attachez un projecteur incompatible avec ce produit, le support peut tomber ou être endommagé et provoquer des blessures graves, voire mortelles. Recherchez dans le catalogue les projecteurs compatibles avec ce produit.	
Notez les points suivants lors de la manipulation du câble d'alimentation. Sinon, cela peut provoquer un incendie ou une électrocution. <ul style="list-style-type: none"><li>• Ne saisissez pas la fiche avec des mains humides</li><li>• N'utilisez pas de câble d'alimentation endommagé ou modifié</li><li>• N'appliquez pas de force excessive sur le câble d'alimentation</li><li>• Ne coincez pas le câble entre les pièces du support ou autre pendant l'installation</li></ul>	
N'enroulez pas les câbles autour du projecteur ou du support.	
Lors de l'enroulement des câbles ou autre, faites cheminer les câbles de façon à éviter les vis et les boulons. Si les câbles entrent en contact avec des vis ou des boulons, cela peut provoquer un incendie ou une électrocution.	
Assurez-vous de bien serrer les vis et les boulons complètement lors de l'installation. S'ils ne sont pas serrés complètement, le support ou le projecteur peut tomber et provoquer des blessures ou un accident.	
Ne desserrez pas et ne retirez pas les vis sans raison lors de l'installation ou de la dépose de ce produit.	
Lors de la fixation du support, n'utilisez pas d'adhésif pour empêcher les vis de se desserrer, et n'utilisez pas de lubrifiant, d'huile ou autre. Si vous utilisez des adhésifs pour empêcher les vis de se desserrer, ou bien du lubrifiant ou de l'huile, le support ou le boîtier du projecteur risque de se fissurer, provoquant des blessures ou un accident.	
Ne suspendez rien au support ni au projecteur et ne placez pas d'objets lourds dessus. Sinon, le support ou le projecteur risque de tomber et de provoquer des blessures graves, voire létales.	
N'appliquez pas de force excessive sur le projecteur ni sur le support lors de l'installation. Sinon, le support ou le projecteur risque d'être endommagé et de provoquer des blessures graves, voire létales.	

 Avertissement	
<p>Ne procédez pas à l'installation dans les situations suivantes. Contactez votre revendeur local ou le centre d'appel Epson.</p> <ul style="list-style-type: none"> <li>• Si le produit est tombé ou est endommagé avant ou pendant l'installation</li> <li>• Si le support est anormal ou endommagé</li> </ul>	






## Avertissements et précautions relatives aux emplacements d'installation

 Avertissement	
<p>Installez uniquement sur des rails d'éclairage prenant en charge l'installation de ce produit. Sinon, le support ou le projecteur risque de tomber et de provoquer des blessures graves, voire létales.</p>	
<p>Ne fixez pas au rail d'éclairage dans les cas suivants. Sinon, le rail d'éclairage peut subir des dégâts. Le support ou le projecteur risque également de tomber et de provoquer une blessure ou un accident.</p> <ul style="list-style-type: none"> <li>• Les rails d'éclairage avec des ouvertures déformées ou endommagées</li> <li>• Les rails d'éclairage fixés aux murs, au sol ou dans des emplacements inclinés</li> <li>• Les rails d'éclairage fixés à des plafonds non renforcés</li> <li>• Les rails d'éclairage suspendus à des tuyaux</li> <li>• Les rails d'éclairage intégrés au plafond</li> </ul>	
<p>N'installez pas et n'utilisez pas le projecteur dans des endroits où il pourrait être exposé à la pluie ou à l'eau, par exemple en extérieur, dans des salles de bain ou dans des salles d'eau. Sinon, cela peut provoquer un incendie ou une électrocution.</p>	
<p>N'utilisez pas le projecteur à un emplacement exposé à des combustibles ou gaz explosifs. Si l'intérieur du projecteur devient trop chaud, il peut s'enflammer et provoquer un incendie.</p>	
<p>Ne couvrez pas les entrées ou sorties d'air du projecteur. Si les orifices de ventilation sont couverts, la température interne du projecteur peut augmenter et causer un incendie.</p>	

 Attention	
<p>N'installez pas le projecteur dans un emplacement hors de la plage de température de fonctionnement du projecteur. Un tel environnement peut endommager le projecteur.</p>	
<p>Installez-le loin des sorties d'air telles que les climatiseurs. Si l'air d'un climatiseur ou autre s'écoule directement sur le projecteur, la température augmente et le projecteur peut ne pas fonctionner correctement.</p>	
<p>Installez-le à distance des lampes fluorescentes. Certains types d'éclairages fluorescents risquent d'interférer avec la télécommande du projecteur.</p>	
<p>Installez-le dans un emplacement tel qu'aucune forte lumière, par exemple une lumière fluorescente ou la lumière directe du soleil, n'éclaire le récepteur de la télécommande. Si des rayons lumineux puissants éclairent sur le récepteur de la télécommande, le fonctionnement de la télécommande peut en être altéré.</p>	

 Attention	
Assurez-vous d'installer ce produit dans un emplacement à l'abri de la poussière et de l'humidité afin que l'objectif et les éléments internes ne se salissent pas.	
<p>N'installez pas le projecteur dans un endroit sujet à des niveaux élevés de poussière ou d'humidité, ni dans un endroit exposé à la fumée ou à la vapeur.</p> <p>Sinon, cela pourrait provoquer un incendie ou un choc électrique. Le boîtier du projecteur peut également se détériorer et être endommagé, ce qui ferait tomber le projecteur du support.</p> <p>Exemples d'environnements dans lesquels le projecteur pourrait tomber en raison de la détérioration de son boîtier</p> <ul style="list-style-type: none"> <li>• Les endroits exposés à une fumée excessive ou à des particules d'huile en suspension dans l'air, tels que les usines ou les cuisines</li> <li>• Les endroits contenant des solvants ou des produits chimiques volatils, tels que les usines ou les laboratoires</li> <li>• Les endroits où le projecteur pourrait être soumis à des détergents ou à des produits chimiques, tels que les usines ou les cuisines</li> <li>• Les endroits dans lesquels des huiles aromatiques sont souvent utilisées, tels que les salles de relaxation</li> <li>• À proximité d'appareils produisant une fumée excessive, des particules d'huile en suspension dans l'air ou de la mousse lors d'événements</li> </ul>	

### Précautions relatives à la manipulation après installation

 Avertissement	
<p>Ne desserrez jamais les vis ni les boulons après l'installation.</p> <p>Assurez-vous de contrôler régulièrement si des vis ou des boulons sont desserrés et le cas échéant, serrez-les complètement. S'ils ne sont pas serrés complètement, le support ou le projecteur peut tomber et provoquer des blessures ou un accident.</p>	
N'exercez aucune force excessive sur le support et ne vous y suspendez pas.	
Ne démontez et ne modifiez jamais ce produit, sauf comme indiqué dans ce guide.	
<p>N'utilisez pas de chiffon humide ni de solvant tel que de l'alcool, de l'essence ou un diluant lors du nettoyage du produit.</p> <p>De l'eau pourrait pénétrer dans le projecteur ou le boîtier pourrait se détériorer et se fissurer, provoquant un choc électrique.</p>	



## **Utiliser le produit de façon sûre**

---

<b>Consignes de sécurité</b> .....	<b>1</b>
Indications de sécurité .....	1
Indications d'informations générales .....	1
Précautions relatives à l'installation du projecteur .....	1
Avertissements et précautions relatives aux emplacements d'installation .....	3
Précautions relatives à la manipulation après installation .....	4

## **Préparation du projecteur**

---

<b>Contenu de l'emballage</b> .....	<b>6</b>
<b>Rails d'éclairage montables</b> .....	<b>8</b>

## **Procédure d'installation**

---

<b>Fixation du support sur le projecteur</b> .....	<b>9</b>
Fixer la plaque du projecteur .....	9
Fixer le bras .....	10
<b>Installer le câble de sécurité</b> .....	<b>12</b>
<b>Fixation du projecteur au rail d'éclairage</b> .....	<b>13</b>
Fixer le rail d'éclairage .....	13
Fixer le bras .....	14
Fixer le support de fixation .....	15
Fixer le bloc d'alimentation .....	17
<b>Raccordement des câbles</b> .....	<b>18</b>
<b>Installer le cache du support et le câble de sécurité</b> .....	<b>19</b>
<b>Réglage de l'orientation du projecteur</b> .....	<b>23</b>

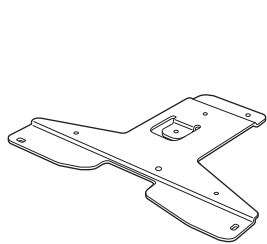
## **Annexe**

---

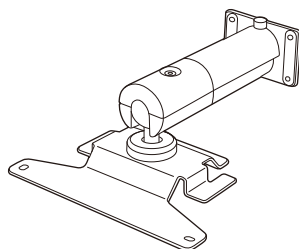
<b>Spécification</b> .....	<b>25</b>
Aspect .....	25

## Contenu de l'emballage

Vérifiez que vous avez tous les accessoires suivants avant de démarrer les travaux.



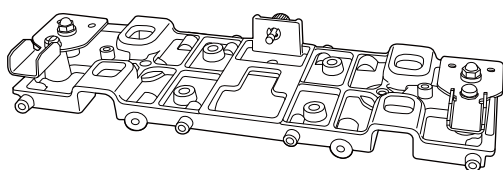
Plaquette du projecteur



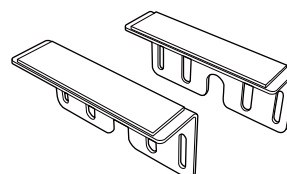
Bras



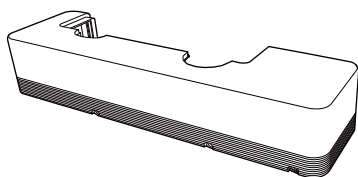
Serre câble



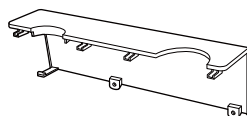
Rail d'éclairage



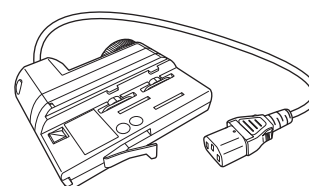
Support de fixation (x 2)



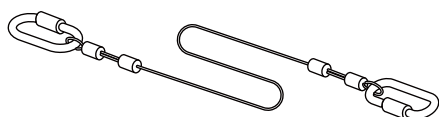
Cache de support A



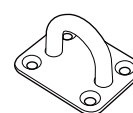
Cache de support B



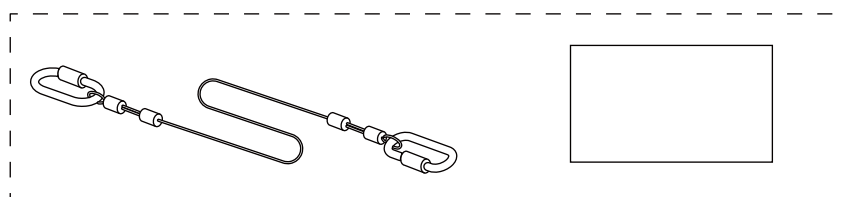
Unité d'alimentation électrique



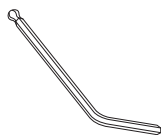
Câble de sécurité  
(500 mm)



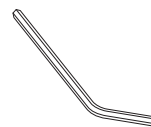
Support de crochet du câble



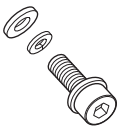



Ensemble câble de sécurité (câble de sécurité (500 mm) et *Guide de l'utilisateur*)



Clé hexagonale (tête sphérique M4)



Clé hexagonale (M6)

Forme	Nom	Quantité	Application
	Vis à tête creuse hexagonale M4 x 14 mm (avec rondelle) : noire	4	Sécurise le bras au rail d'éclairage.
	Vis à tête creuse hexagonale M4 x 10 mm (avec rondelle) : argent	4	Sécurise la plaque du projecteur au projecteur.
		3	Sécurise le bras à la plaque du projecteur.
	Vis moletée M4 x 8 mm	4	Sécurise les supports de fixation.
	Vis cruciformes à tête fraisée M3 x 6 mm	6	Elles servent à fixer le capot du support.

- Assurez-vous d'utiliser les boulons ou les vis fournis avec ce produit afin d'installer les supports.
- Rassemblez les outils et les éléments nécessaires avant de commencer l'installation.

### Attention

Ne touchez pas les parties tranchantes les mains non protégées car cela pourrait provoquer des blessures.

## Rails d'éclairage montables

Vérifiez le numéro de modèle du rail d'éclairage que vous souhaitez installer avant d'effectuer l'installation.

Vous pouvez fixer ce produit aux types de rails d'éclairage suivants.

Les informations suivantes sont à jour en date de décembre 2018. Elles peuvent être modifiées sans préavis.

Fabricant	Numéro de modèle
Halo	<ul style="list-style-type: none"><li>• TEK441</li><li>• TEK442</li><li>• TEK443</li></ul>
Juno	<ul style="list-style-type: none"><li>• TEK44FT (BL)</li><li>• TEK44FT (WH)</li></ul>
Global trac tek	<ul style="list-style-type: none"><li>• TEK44-1</li><li>• TEK44-2</li><li>• TEK44-3</li></ul>

## Fixation du support sur le projecteur

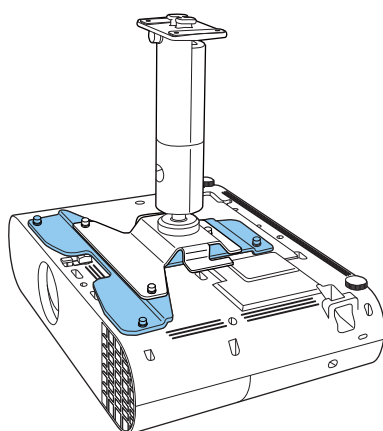
Fixez la plaque du projecteur et le bras à la base du projecteur.

### Attention

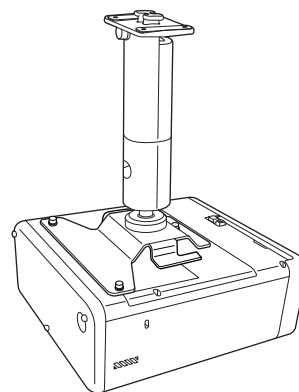
Veillez à utiliser les vis fournies lors de la fixation du support sur le projecteur.

### Fixer la plaque du projecteur

Il est possible que vous n'ayez pas besoin de fixer la plaque du projecteur, selon le modèle que vous utilisez. Consultez la procédure d'installation du bras.

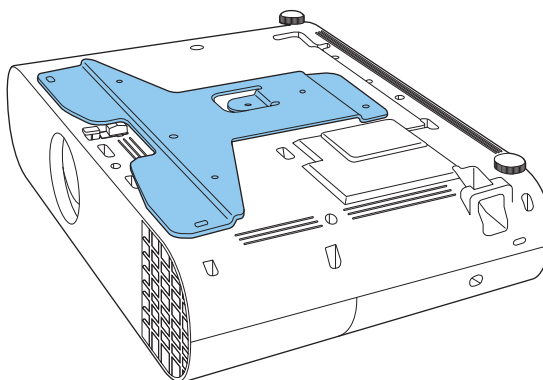


Plaque du projecteur nécessaire



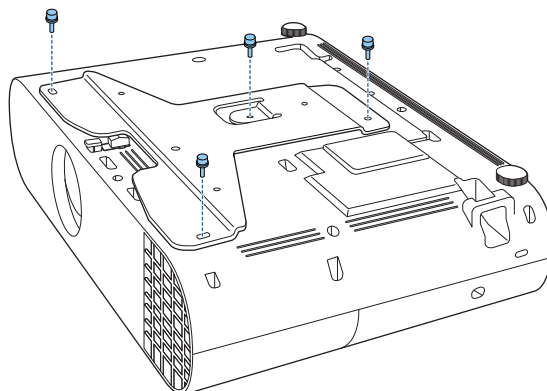
Plaque du projecteur non nécessaire

- 1** Placez la plaque du projecteur à la base du projecteur.  
Alignez les trous de vis du point de fixation de la monture du projecteur avec les trous de vis de la plaque du projecteur.



2

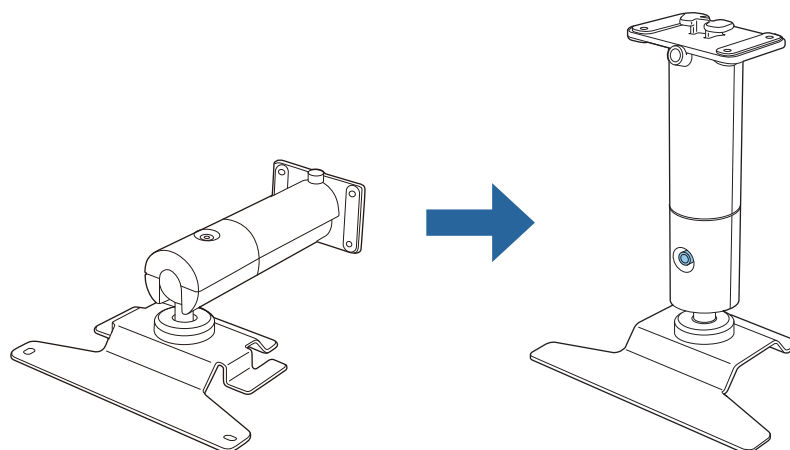
Fixez la plaque du projecteur à l'aide des vis M4 x 10 mm fournies (x4).



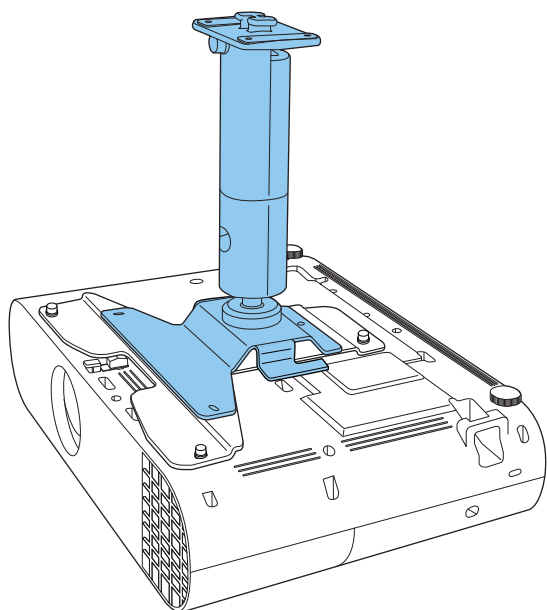
### Fixer le bras

1

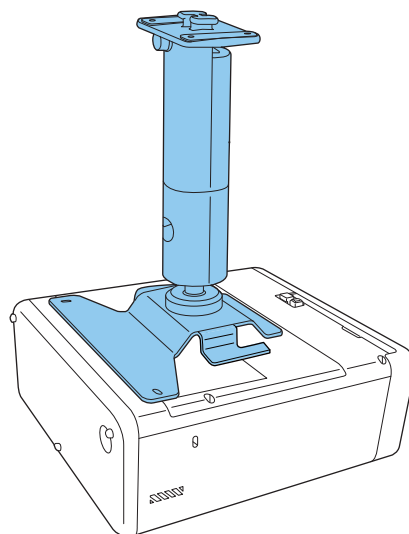
Redressez le bras et serrez les vis.



- 2** Sécurise le bras au projecteur.  
Alignez les trous de vis de la plaque du projecteur ou les trous de vis du projecteur avec les trous de vis du bras.

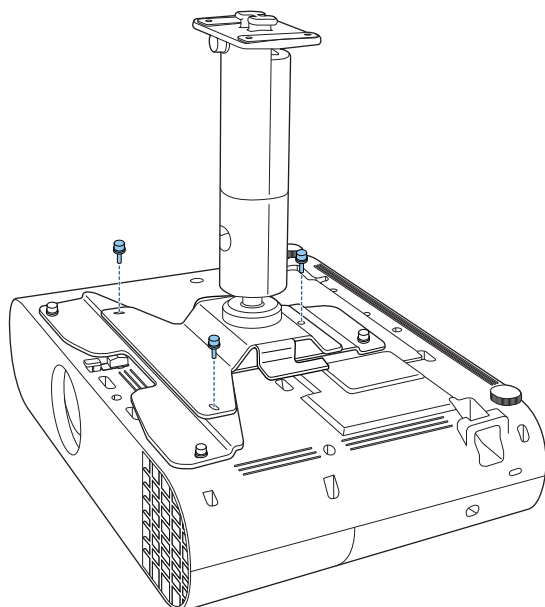


Avec la plaque du projecteur

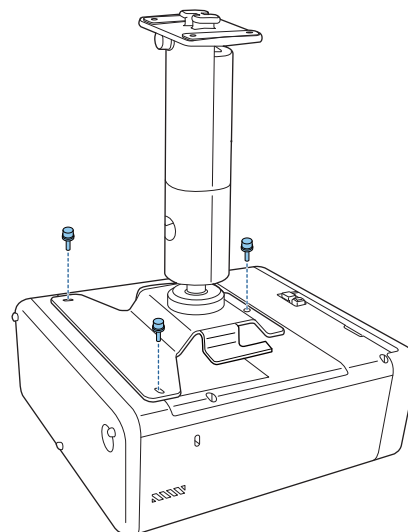


Sans la plaque du projecteur

- 3** Fixez le bras au projecteur à l'aide des vis M4 x 10 mm fournies (x3).



Avec la plaque du projecteur



Sans la plaque du projecteur

## Installer le câble de sécurité

Lors de l'installation dans en hauteur, par exemple un plafond, un mur ou une étagère, après avoir fixé le bras, installez le câble de sécurité fourni afin d'empêcher le projecteur de tomber.

Pour plus de détails sur la procédure d'installation, consultez le *Guide de l'utilisateur* fourni avec l'ensemble câble de sécurité.



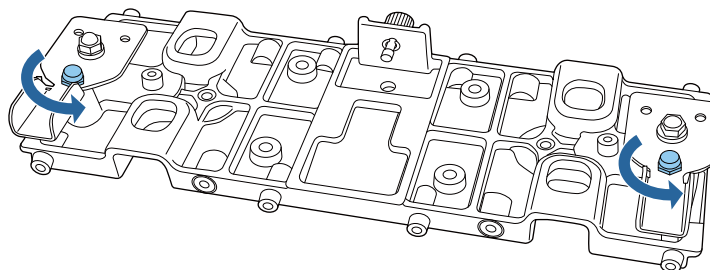
## Fixation du projecteur au rail d'éclairage

### Fixer le rail d'éclairage

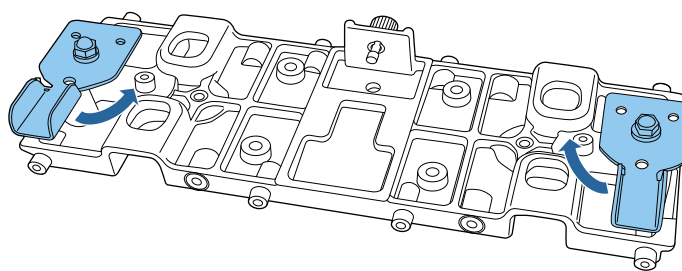
#### Avertissement

- Assurez-vous d'éteindre le rail d'éclairage avant d'effectuer les travaux d'installation. Sinon il peut se produire une électrocution.
- Assurez-vous que le rail d'éclairage est bien fixé. Sinon, le support ou le projecteur risque également de tomber et de provoquer une blessure ou un accident.

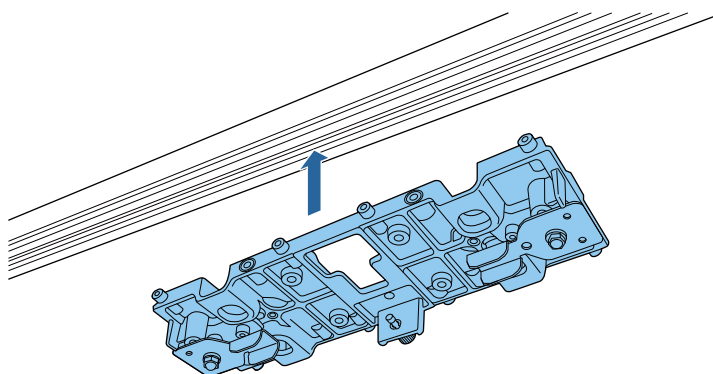
1 Retirez les vis des leviers situés aux deux extrémités de l'unité de rail d'éclairage.



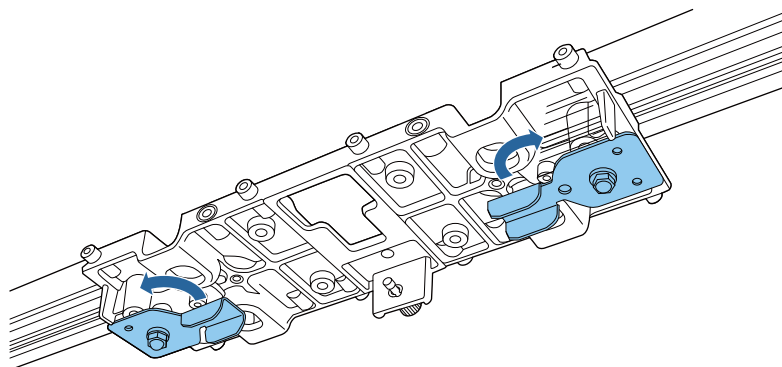
2 Faites pivoter les leviers situés aux deux extrémités de l'unité de rail d'éclairage de 90 degrés.



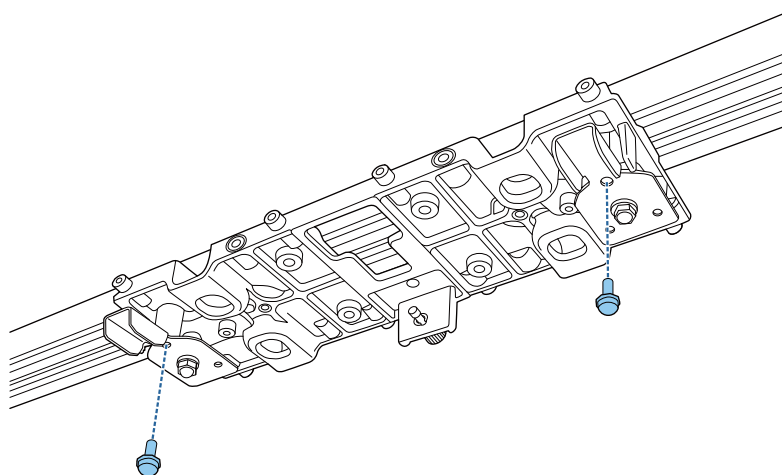
3 Insérez l'unité de rail d'éclairage dans le rail d'éclairage où vous allez installer le projecteur.



- 4 Faites pivoter les deux leviers de l'unité de rail d'éclairage de 90 degrés.  
L'unité de rail d'éclairage est maintenant fixée temporairement.

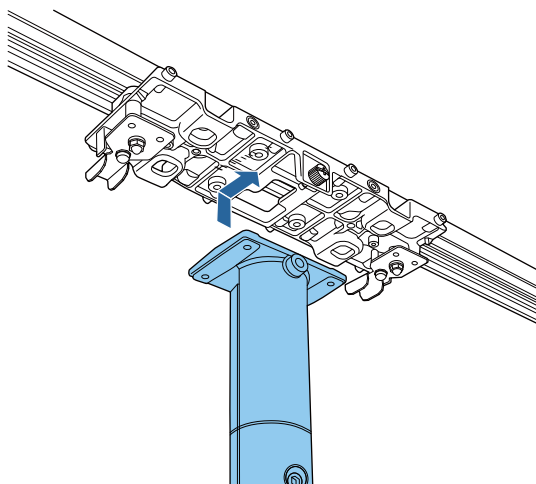


- 5 Fixez les deux leviers à l'aide des vis M4 x 10 mm (x2) que vous avez retirées à l'étape 1.



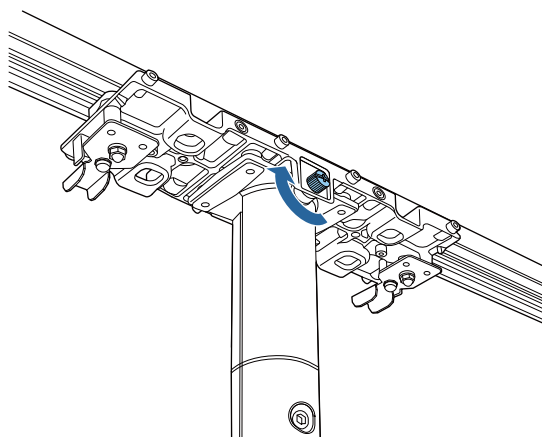
## Fixer le bras

- 1 Insérez le bras dans l'espace de l'unité de rail d'éclairage.  
Faites-le glisser à l'avant et alignez les trous de vis de l'unité de rail d'éclairage avec les trous de vis du bras.



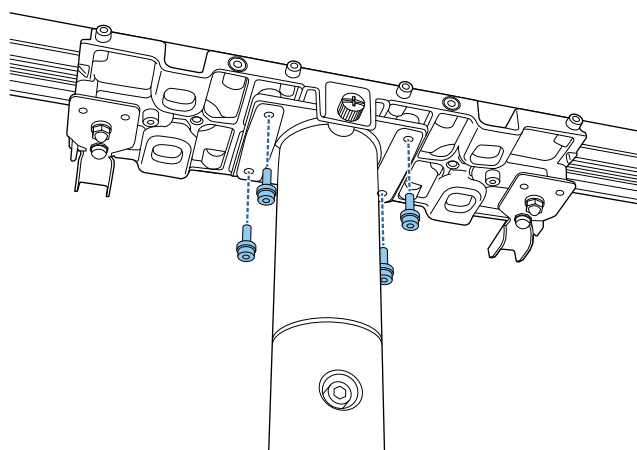
2

Serrez les vis de l'unité de rail d'éclairage pour fixer temporairement le bras.



3

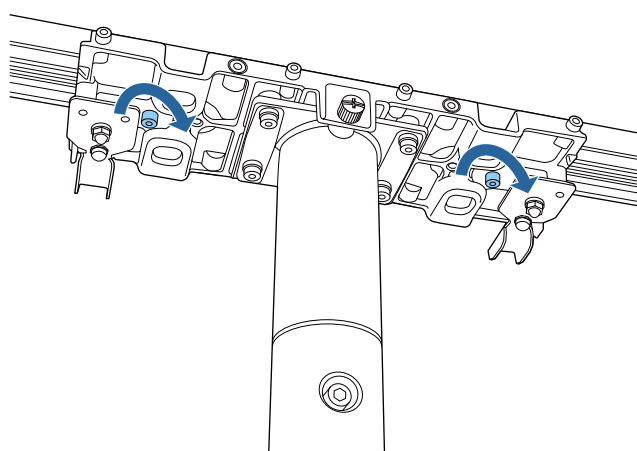
Serrez les vis M4 x 14 mm fournies (x4) avec la clé hexagonale (tête sphérique M4) pour fixer le bras.



4

Après avoir vérifié la position du projecteur, serrez les deux vis situées sur les côtés des leviers à l'aide de la clé hexagonale (tête sphérique M4) fournie.

L'unité de rail d'éclairage est maintenant fixée.

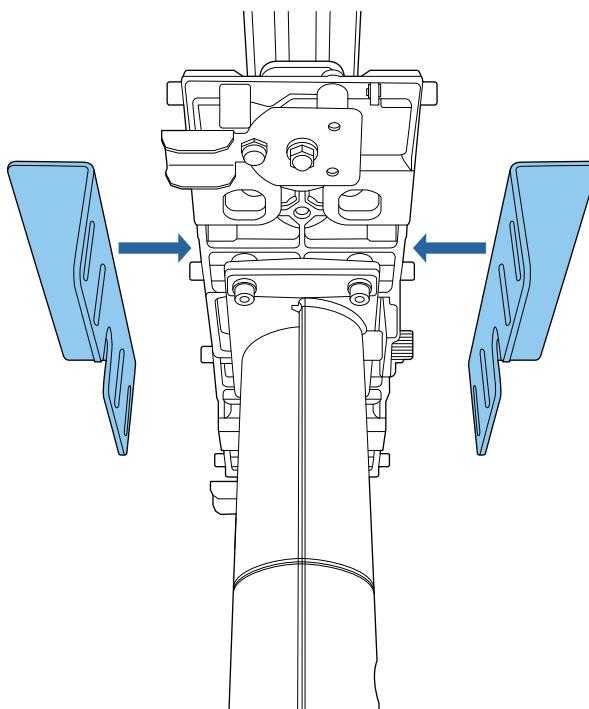


### Fixer le support de fixation

Nous vous recommandons d'installer le support de fixation afin d'éviter que le rail d'éclairage ne transmette des vibrations au projecteur.

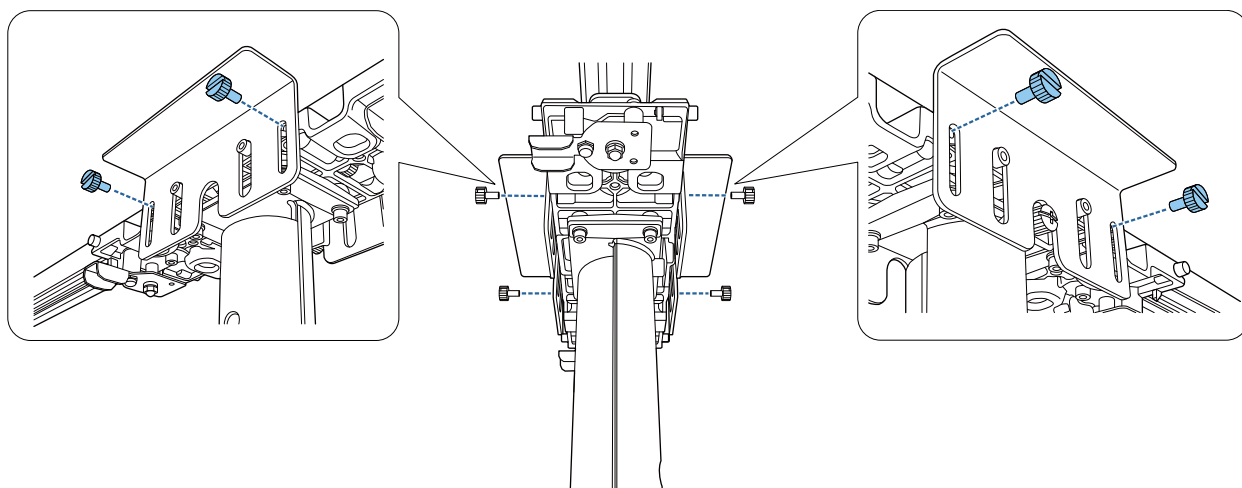
Si votre plafond n'est pas assez résistant, n'installez pas le support de fixation.

- 1 Insérez le support de fixation dans les protubérances aux deux extrémités de l'unité de rail d'éclairage.



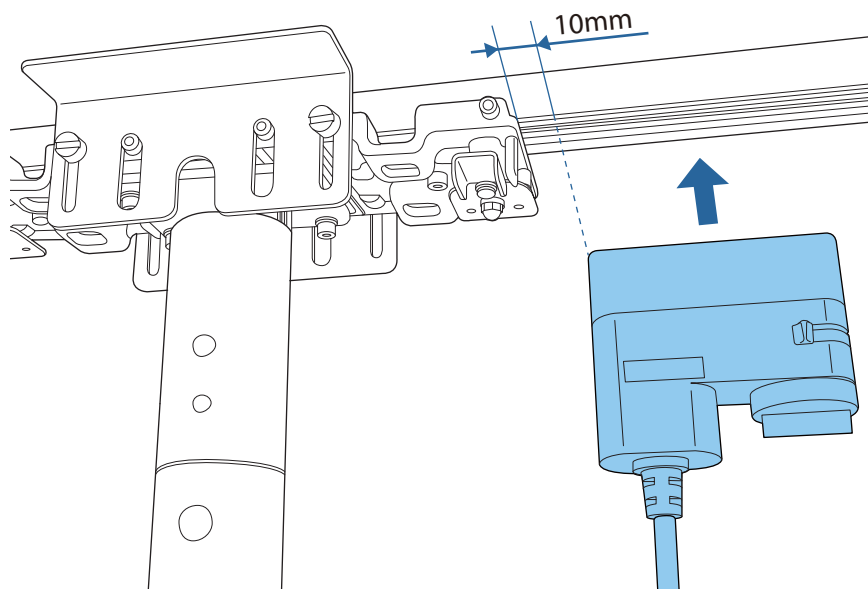
- 2 Assurez-vous que le support de fixation est au ras du plafond, sans jeu, et fixez-le à l'aide des vis moletées M4 x 8 mm (x4) fournies.

Serrez ensuite davantage les vis avec un tournevis à tête plate afin d'empêcher le support de bouger.

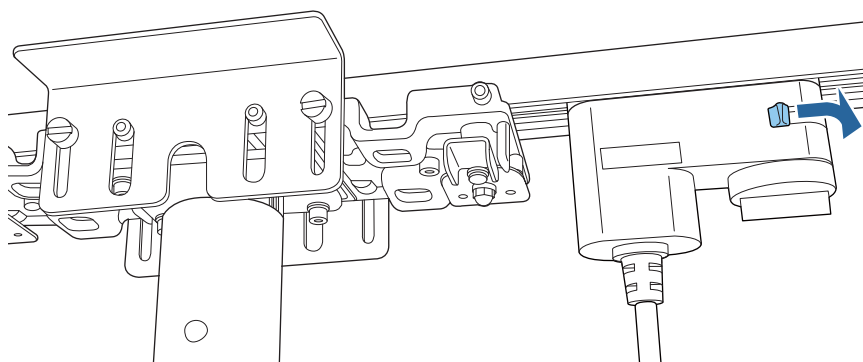


## Fixer le bloc d'alimentation

- 1 Insérez le bloc d'alimentation dans les rainures du rail d'éclairage.  
Laissez environ 10 mm entre le rail d'éclairage et le bloc d'alimentation pour aligner la position du câble d'alimentation avec la rainure du cache de la fixation.



- 2 Tirez le levier du bloc d'alimentation.  
Le bloc d'alimentation est maintenant fixé au rail d'éclairage.



- 3 Branchez le câble d'alimentation sur la prise d'entrée du projecteur.

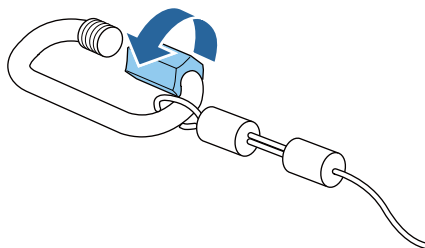
## Raccordement des câbles

Raccordez les câbles nécessaires aux ports de connexion du projecteur.

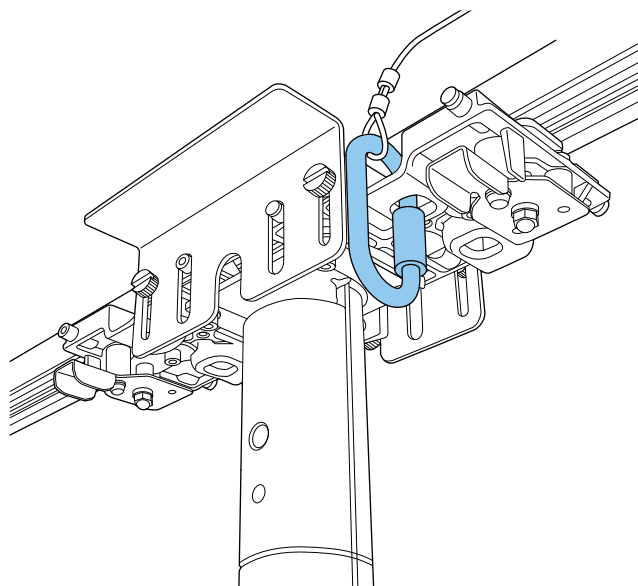
Vérifiez le *Guide de l'utilisateur* du projecteur pour les informations sur les ports de branchement.

## Installer le cache du support et le câble de sécurité

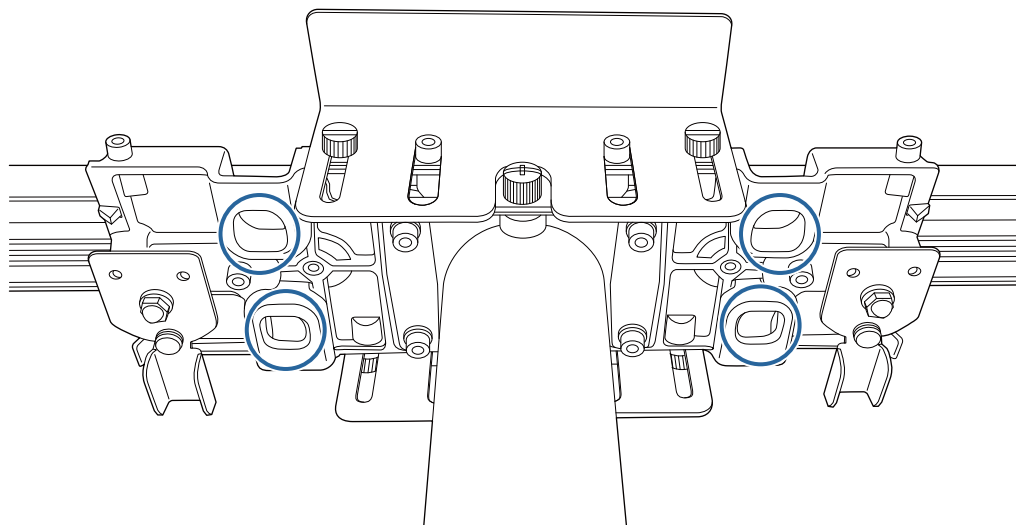
1 Desserrez le mousqueton pour le câble de sécurité fourni.



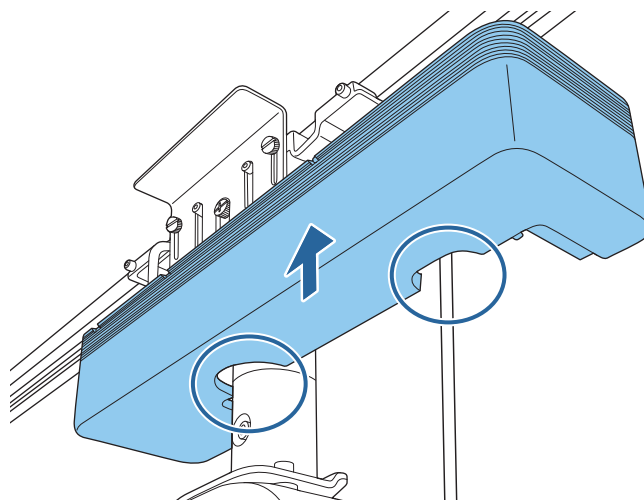
2 Insérez le mousqueton desserré dans le trou de l'unité de rail d'éclairage, puis serrez-le.



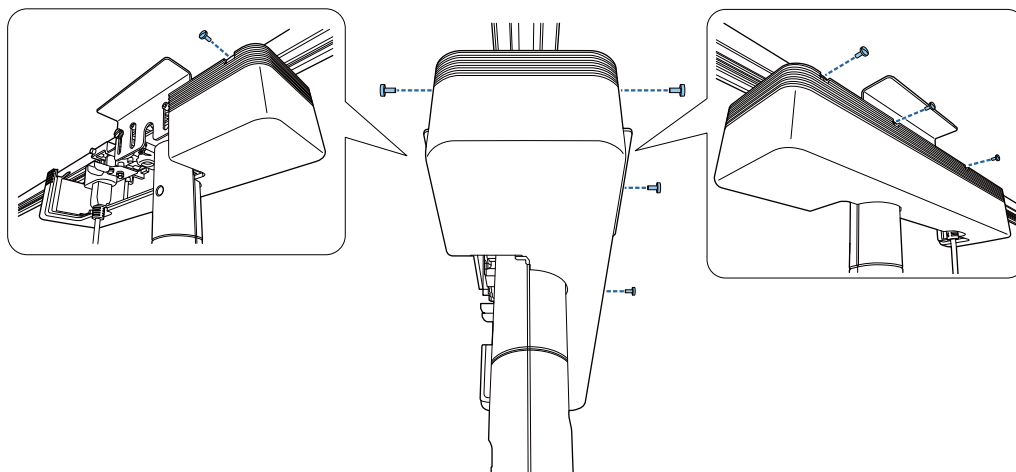
Vous pouvez l'insérer à travers l'un des trous suivants.



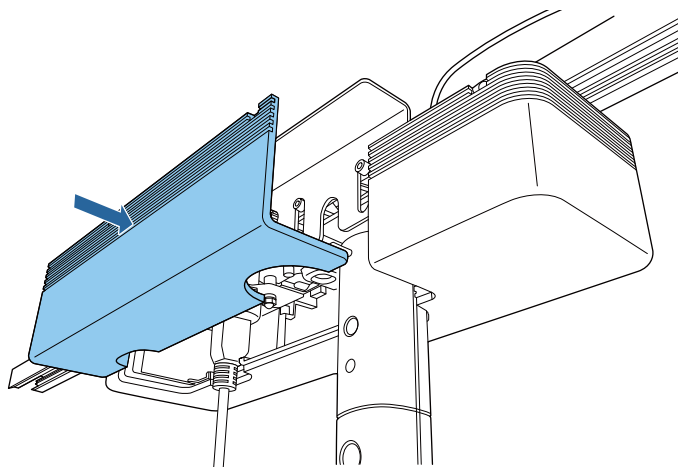
- 3** Fixez le cache de fixation A à l'unité de rail d'éclairage.  
Alignez le bras et le câble d'alimentation avec leurs encoches respectives, puis faites glisser le cache.



- 4** Fixez la plaque du support A à l'aide des vis M3 x 6 mm fournies (x4).



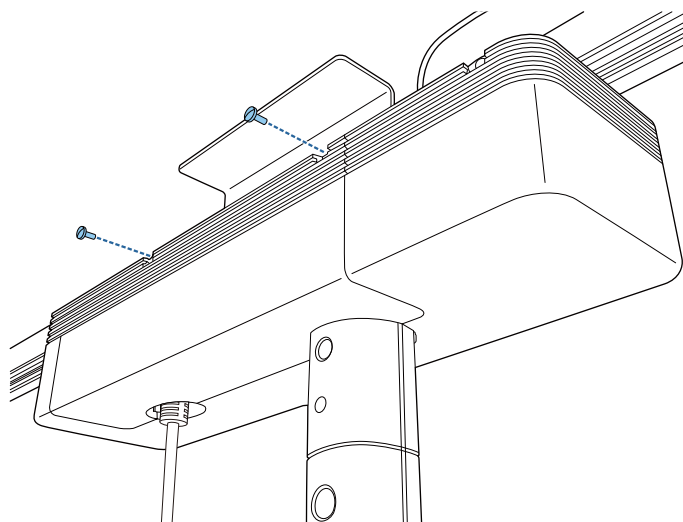
- 5** Fixez le cache de fixation B.  
Accrochez-le au cache A et fixez-le temporairement.





6

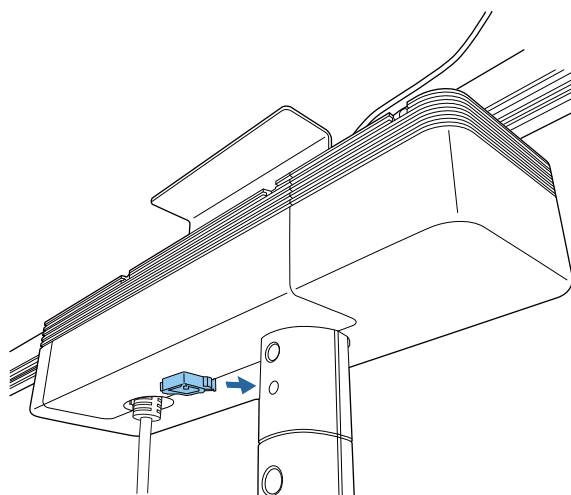
Fixez le cache du support B à l'aide des vis M3 x 6 mm fournies (x2).



7

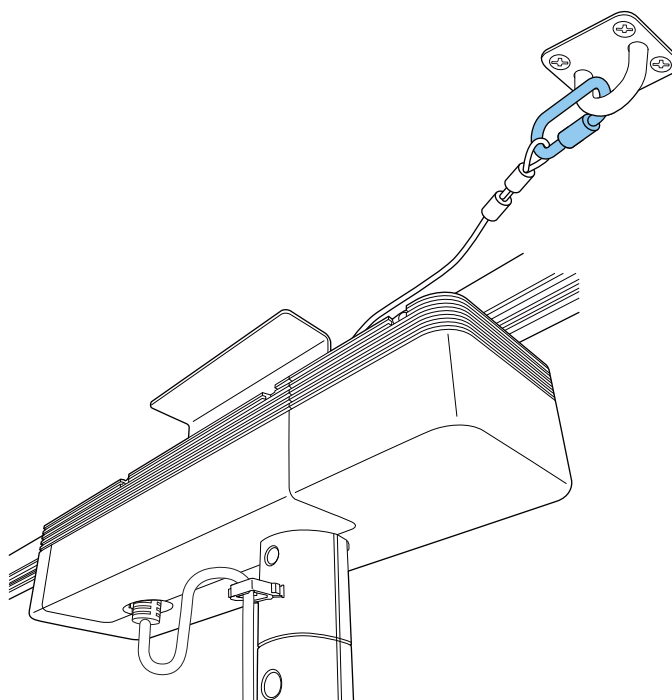
Fixez le serre câble au bras.

Insérez le serre câble dans les trous du bras puis faites passer le câble.



8

Installez le crochet de fixation au plafond, puis fixez le mousqueton pour le câble de sécurité.



#### Attention

Déterminez la position d'installation pour la fixation du crochet métallique de sorte que le câble ne peut pas se détacher.

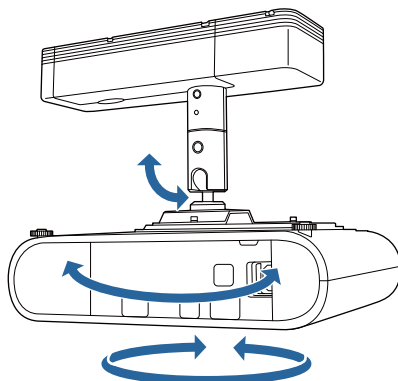


- Lors de l'installation du support de crochet métallique, utilisez des vis à bois du commerce, d'un diamètre nominal de 3,8 mm.
- Assurez-vous que les vis à bois pénètrent d'au moins 20 mm dans la sous-couche du plafond.

## Réglage de l'orientation du projecteur

Vous pouvez utiliser la rotule de la section de support du projecteur afin de régler l'orientation et l'angle du projecteur.

La plage d'angles disponibles varie en fonction du modèle utilisé. Pour plus de détails, reportez-vous au *Guide de l'utilisateur* fourni avec le projecteur.

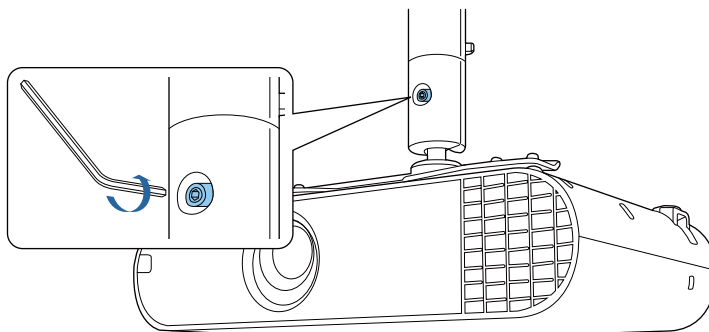


- 1 Appuyez sur le bouton d'alimentation sur le projecteur ou sur la télécommande.  
Le projecteur s'allume.

 **Attention**

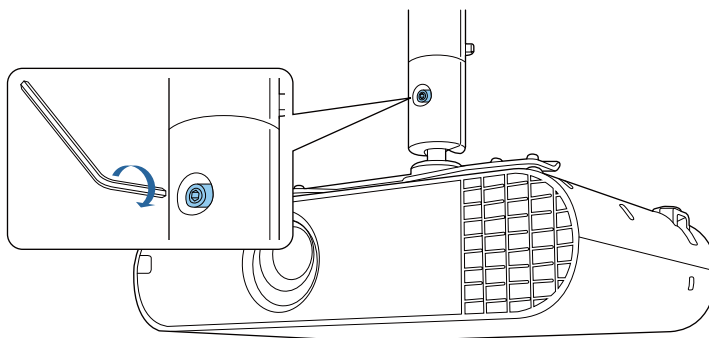
Avant de mettre le projecteur sous tension, assurez-vous que le support est correctement fixé.

- 2 Desserrez la vis du joint de la rotule du bras avec une clé hexagonale (M6).



- 3 Réglez l'orientation du projecteur.  
Veillez à soutenir le projecteur par-dessous lors du réglage de l'orientation.

- 4** Une fois les réglages terminés, serrez fermement la vis de la rotule avec une clé hexagonale (M6).



- Après avoir effectué les réglages, assurez-vous de bien serrer les vis de la rotule. Si elles ne sont pas serrées complètement, l'angle du projecteur va changer et modifier la position de l'image.
- Après avoir ajusté l'orientation du projecteur, réglez la taille et la mise au point de l'image projetée. Pour plus de détails, reportez-vous au *Guide de l'utilisateur* fourni avec le projecteur.

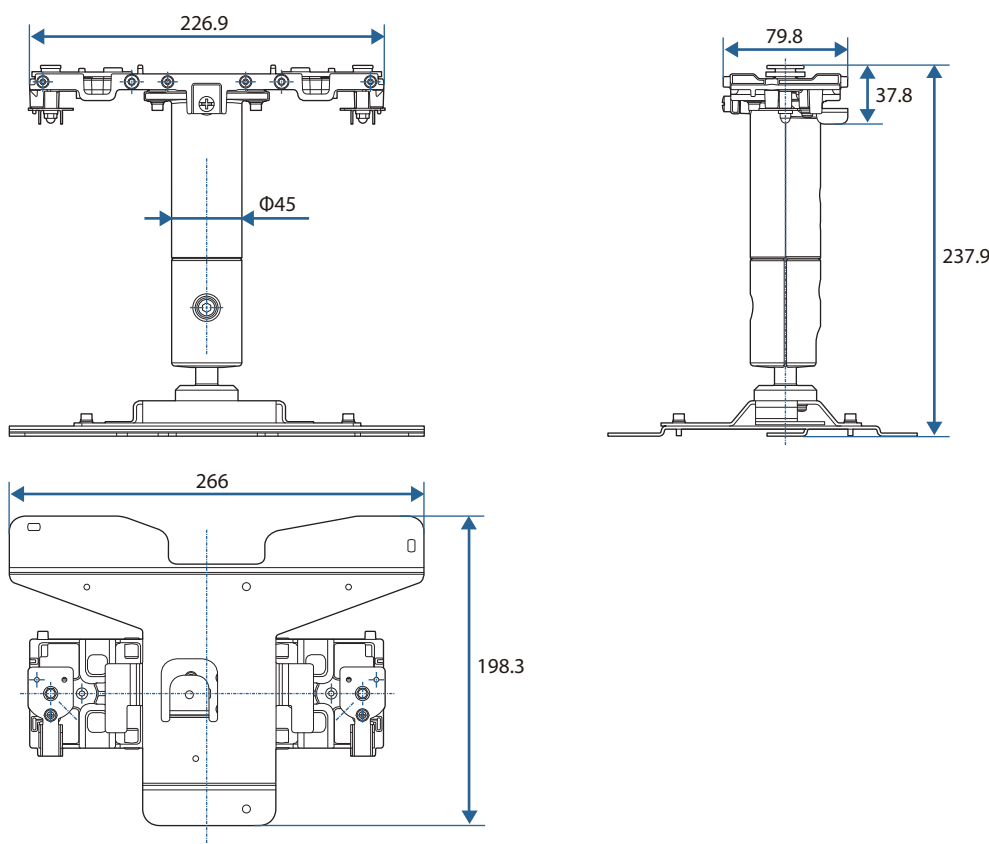
# Spécification

Élément	Spécification
Masse (plaque de projecteur, bras, unité de rail de montage, support de fixation, cache de fixation A/B)	Environ 2,5kg
Capacité de charge maximale	Environ 10,0kg

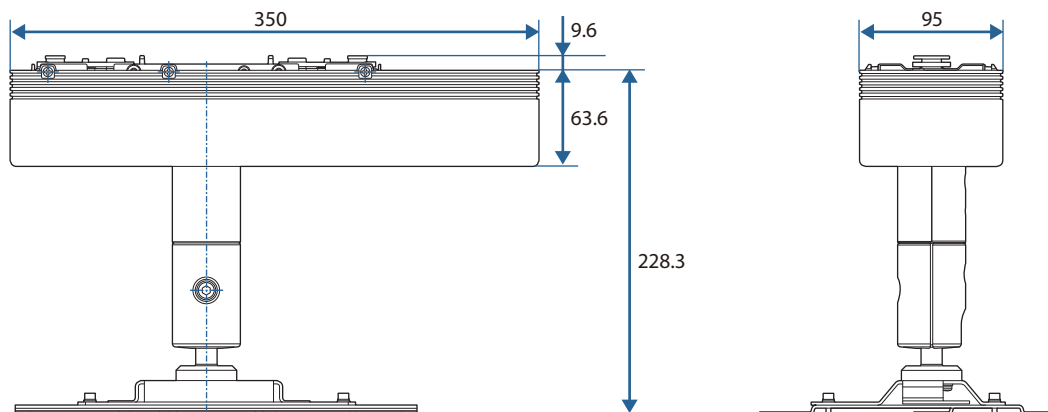
## Aspect

[Unité : mm]

Sans le capot du support



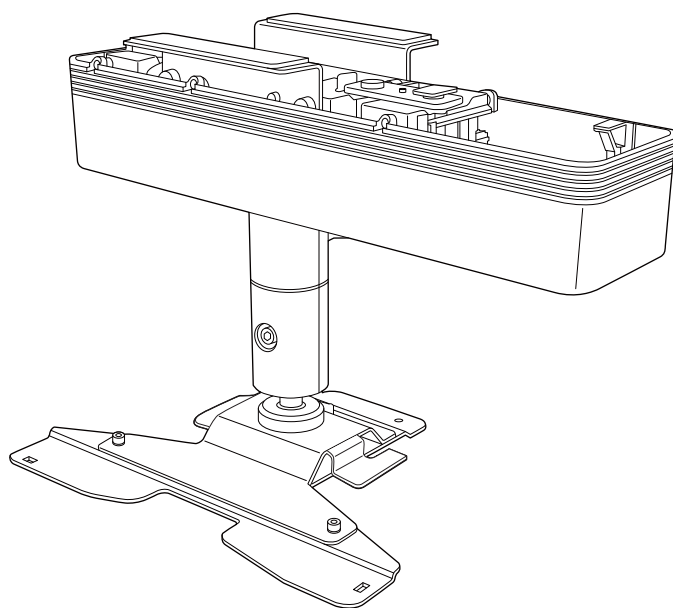
Avec le capot du support fixé



©SEIKO EPSON CORPORATION 2019. All rights reserved.

# ELPMB61

## Guía de instalación



# Instrucciones de seguridad

En esta guía se explica cómo instalar el proyector en un carril de iluminación mediante el Soporte de seguimiento de luz ELPMB61 suministrado.



Asegúrese de leer esta guía atentamente para utilizar los soportes de instalación y el proyector de forma segura. Un manejo incorrecto sin seguir las instrucciones de esta guía podría dañar este producto o causar daños personales o materiales. Guarde a mano esta guía de instalación para futuras consultas.

Para obtener información sobre cómo controlar el proyector, lea el *Manual de usuario* y las *Instrucciones de seguridad* que se suministran con el proyector y siga las instrucciones de estos documentos.




## Indicaciones de seguridad

La documentación y este producto utilizan símbolos gráficos para mostrar cómo utilizar este de forma segura y correcta para evitar lesiones a los clientes y a otras personas, así como daños materiales.




A continuación se muestran las indicaciones y su significado. Asegúrese de comprenderlas correctamente antes de leer el manual.















Explicación de	los símbolos
 Advertencia	Este símbolo hace referencia a información que, si se ignora, podría causar daños personales e incluso la muerte debido a un manejo incorrecto.
 Precaución	Este símbolo hace referencia a información que, si se ignora, podría causar daños personales y materiales debido a un manejo incorrecto.

## Indicaciones sobre la información general



Explicación de	los símbolos
	Este símbolo indica una acción que no se debe realizar
	Este símbolo indica una acción que sí se debe realizar
	Este símbolo indica información relacionada o útil

## Precauciones a la hora de instalar el proyector







 Advertencia	
La instalación del carril de iluminación y del proyector en un carril de iluminación solamente debe ser realizada por un profesional con las habilidades y conocimientos necesarios. Si el trabajo de instalación no se lleva a cabo correctamente, el soporte o el proyector podrían caerse y causar lesiones o accidentes.	
Siga las instrucciones de esta guía cuando realice el trabajo de instalación. Si no se siguen las instrucciones, el soporte o el proyector podrían caerse y causar lesiones o accidentes.	





 Advertencia	
La instalación debe ser realizada por al menos dos personas. Asimismo, asegúrese de mantener una posición de equilibrio segura y estable de forma que no deje caer el soporte o el proyector.	
Asegúrese de apagar el carril de iluminación antes de realizar el trabajo. Si realiza el trabajo mientras el carril de iluminación está encendido, se pueden producir descargas eléctricas.	
Asegúrese de usar el cable de seguridad suministrado para unir el techo al soporte para evitar que este se caiga debido a terremotos o vibraciones.	
Asegúrese de acoplar el cable de seguridad suministrado al soporte y al proyector para evitar que este se caiga.	
No acople nada a este soporte, excepto los proyectores EPSON que sea compatibles con este producto. Si acopla un proyector que no sea compatible con este producto, el soporte podría caerse o dañarse y causar la muerte o lesiones graves. Consulte el catálogo de proyectores que sean compatibles con este producto.	
Tenga en cuenta lo siguiente cuando manipule el cable de alimentación. De lo contrario, se puede producir un incendio o descargas eléctricas. <ul style="list-style-type: none"><li>• No manipule el enchufe con las manos mojadas</li><li>• No utilice un cable de alimentación dañado o modificado</li><li>• No aplique fuerza excesiva al cable de alimentación</li><li>• No atrape el cable entre partes del soporte y otros objetos durante la instalación</li></ul>	
No enrolle los cables alrededor del proyector o del soporte.	
Cuando conecte los cables, llévelos por donde eviten los tornillos y pernos. Si los cables entran en contacto con los tornillos o pernos, se podría provocar un incendio o descargas eléctricas.	
Asegúrese de apretar los tornillos o los pernos completamente cuando realice la instalación. Si no están completamente apretados, el soporte o el proyector podrían caerse y causar lesiones o accidentes.	
No afloje ni retire los tornillos por ningún motivo mientras instala o retira este producto.	
Cuando fije el soporte, no utilice adhesivos para evitar que los tornillos se aflojen, ni tampoco lubricantes, aceites, etc. Si utiliza adhesivos para evitar que los tornillos se aflojen o emplea productos como lubricantes o aceites, el soporte o la carcasa del proyector puede agrietarse, lo que puede provocar lesiones o un accidente.	
No se cuelgue del soporte o el proyector y no coloque objetos pesados en ellos. De lo contrario, el soporte o el proyector puede caerse, lo que puede provocar lesiones o, incluso, la muerte.	
No aplique una fuerza excesiva al proyector o al soporte cuando realice la instalación. De lo contrario, el soporte o el proyector puede dañarse, lo que puede provocar lesiones o, incluso, la muerte.	







 Advertencia	
<p>No realice la instalación en las siguientes situaciones. Póngase en contacto con su proveedor local o con el centro de atención al cliente de Epson.</p> <ul style="list-style-type: none"> <li>• Si el producto se ha caído o dañado antes de la instalación o durante esta</li> <li>• Si el soporte presenta un estado anómalo o está dañado</li> </ul>	






## Advertencias y precauciones en las ubicaciones de instalación

 Advertencia	
<p>Realice la instalación solamente en carriles de iluminación compatibles con la instalación de este soporte.</p> <p>De lo contrario, el soporte o el proyector puede caerse, lo que puede provocar lesiones o, incluso, la muerte.</p>	
<p>No realice la colocación en el carril de iluminación de las siguientes formas.</p> <p>De lo contrario, el carril de iluminación podría dañarse. Asimismo, el soporte o el proyector puede caerse y provocar una lesión o un accidente.</p> <ul style="list-style-type: none"> <li>• Carriles de iluminación con aberturas distorsionadas o dañadas</li> <li>• Carriles de iluminación colocados en paredes, suelos o ubicaciones inclinadas</li> <li>• Carriles de iluminación colocados en techos no reforzados</li> <li>• Carriles de iluminación colgados de tuberías</li> <li>• Carriles de iluminación integrados en el techo</li> </ul>	
<p>No instale o utilice el proyector en ubicaciones donde pueda quedar expuesto a la lluvia o el agua, como en exteriores, en baños o duchas.</p> <p>De lo contrario, se puede producir un incendio o descargas eléctricas.</p>	
<p>No utilice el proyector en una ubicación en la que haya combustible o gas explosivo.</p> <p>Si el interior del proyector alcanza una temperatura muy elevada, podría prenderse y causar un incendio.</p>	
<p>No tape el conducto de entrada de aire del proyector ni las salidas de evacuación de aire.</p> <p>Si cualquiera de los conductos de ventilación se tapa, la temperatura interna del proyector podría aumentar y provocar un incendio.</p>	

 Precaución	
<p>No instale el proyector en una ubicación fuera del intervalo de temperatura de funcionamiento del proyector.</p> <p>El proyector podría dañarse en tal situación.</p>	
<p>Instálelo lejos de salidas de aire tales, como pueden ser aires acondicionados.</p> <p>Si el aire procedente de un aparato de aire acondicionado, por ejemplo, fluye directamente sobre el proyector, la temperatura aumenta y es posible que el proyector no funcione correctamente.</p>	
<p>Instálelo alejado de luces fluorescentes.</p> <p>Algunos fluorescentes pueden interferir con el mando a distancia del proyector.</p>	

 Precaución	
<p>Instálelo en una ubicación donde la luz intensa, como la luz fluorescente y la luz solar directa, no incida en el receptor remoto.</p> <p>Si en el receptor de remoto inciden rayos de luz intensos, las operaciones del mando a distancia puede que no se realicen correctamente.</p>	
<p>Asegúrese de instalar el proyector en una ubicación donde no haya polvo y humedad excesivos para evitar que la lente y los componentes ópticos se ensucien.</p>	
<p>No instale el proyector en un lugar sujeto a altos niveles de polvo o humedad, o en un lugar sujeto a humo o vapor.</p> <p>De lo contrario, se puede producir un incendio o descargas eléctricas. La carcasa del proyector también podría deteriorarse y dañarse provocando la caída de dicho proyector del soporte.</p> <p>Ejemplos de entornos que podrían causar que el proyector se caiga debido al deterioro de la carcasa:</p> <ul style="list-style-type: none"> <li>• Ubicaciones sujetas a humo excesivo o partículas de aceite en suspensión, como fábricas o cocinas</li> <li>• Ubicaciones que contienen disolventes volátiles o productos químicos, como fábricas o laboratorios</li> <li>• Lugares donde el proyector podría estar sujeto a detergentes o productos químicos, como fábricas o cocinas</li> <li>• Lugares donde suelen utilizarse aceites aromáticos, como las salas de relajación</li> <li>• Cerca de dispositivos que producen humo excesivo, partículas de aceite en suspensión o espuma en los eventos</li> </ul>	

### Precauciones a la hora de manipular el producto después de la instalación

 Advertencia	
<p>Nunca afloje los tornillos o los pernos después de la instalación.</p> <p>Asegúrese de comprobar con cierta frecuencia si hay tornillos o pernos sueltos y, si los hay, apriételes completamente. Si no están completamente apretados, el soporte o el proyector podrían caerse y causar lesiones o accidentes.</p>	
<p>No aplique una fuerza excesiva al soporte ni se cuelgue del mismo.</p>	
<p>Nunca desarme o remodele este producto, excepto como se indica en esta guía.</p>	
<p>No utilice un paño húmedo o disolventes como alcohol, bencina o disolvente para limpiar el producto.</p> <p>Podría entrar agua en el proyector o la carcasa podría deteriorarse y agrietarse, lo que podría provocar una descarga eléctrica.</p>	

## **Utilizar el producto de forma segura**

---

<b>Instrucciones de seguridad</b> .....	<b>1</b>
Indicaciones de seguridad .....	1
Indicaciones sobre la información general .....	1
Precauciones a la hora de instalar el proyector . . . .	1
Advertencias y precauciones en las ubicaciones de instalación .....	3
Precauciones a la hora de manipular el producto después de la instalación .....	4

## **Preparar el proyector**

---

<b>Contenidos del paquete</b> .....	<b>6</b>
<b>Carriles de iluminación instalables</b> .....	<b>8</b>

## **Procedimiento de instalación**

---

<b>Acoplar el soporte al proyector</b> .....	<b>9</b>
Colocar la placa del proyector .....	9
Acoplar la unidad del brazo .....	10
<b>Instalar el cable de seguridad</b> .....	<b>12</b>
<b>Acoplar el proyector al carril de iluminación</b> .....	<b>13</b>
Acoplar la unidad del carril de iluminación .....	13
Acoplar la unidad del brazo .....	14
Acoplar el soporte de fijación .....	16
Acoplar la unidad de la fuente de alimentación .....	17
<b>Conectar los cables</b> .....	<b>18</b>
<b>Instalar la cubierta del soporte y el cable de seguridad</b> .....	<b>19</b>
<b>Ajustar la orientación del proyector</b> .....	<b>23</b>

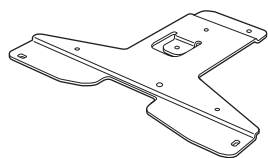
## **Apéndice**

---

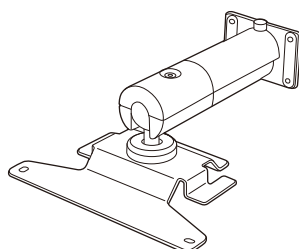
<b>Especificación</b> .....	<b>25</b>
Apariencia .....	25

## Contenidos del paquete

Compruebe que tiene todos los accesorios antes de iniciar el trabajo.



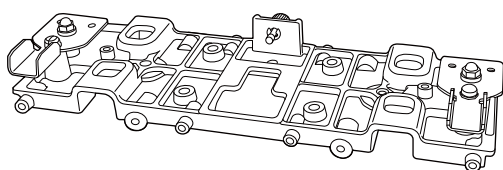
Placa del proyector



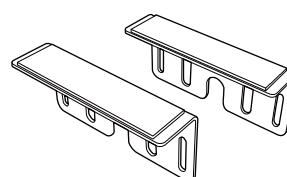
Unidad del brazo



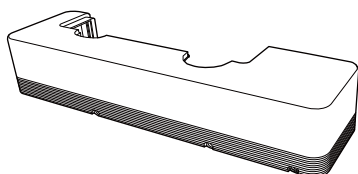
Abrazadera para cables



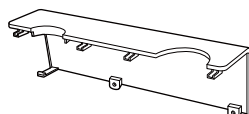
Unidad del carril de iluminación



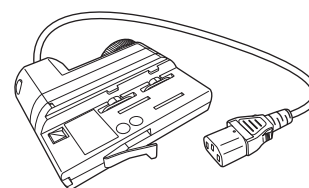
Soporte de fijación (x 2)



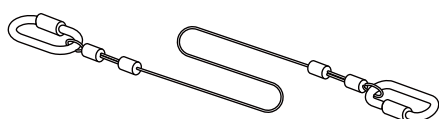
Cubierta de soporte A



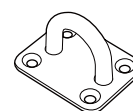
Cubierta de soporte B



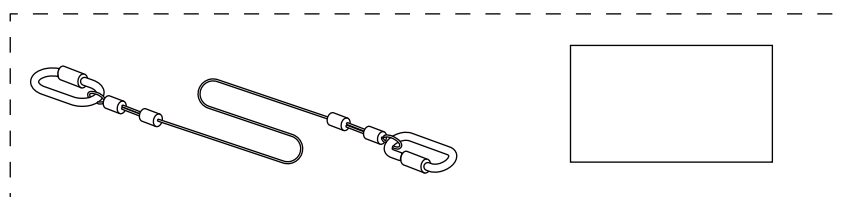
Unidad de la fuente de alimentación



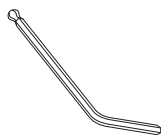
Cable de seguridad  
(500 mm)



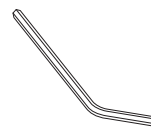
Soporte con gancho para el cable



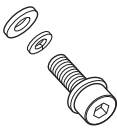



Conjunto de cable de seguridad (cable de seguridad (500 mm) y *Manual de usuario*)



Llave Allen (punto de bola M4)



Llave Allen (M6)

Forma	Nombre	Cantidad	Uso
	Tornillo de cabeza embutida hexagonal M4 x 14 mm (con arandela): negro	4	Permite fijar la unidad del brazo a la unidad del carril de iluminación.
	Tornillo de cabeza embutida hexagonal M4 x 10 mm (con arandela): plata	4	Permite fijar la placa del proyector a este.
		3	Permite fijar la unidad del brazo a la placa del proyector.
	Tornillo estriado M4 x 8 mm	4	Permite fijar los soportes de fijación.
	Tornillo de cabeza embutida transversal M3 x 6 mm	6	Permite fijar la tapa del soporte.

- Asegúrese de utilizar los pernos o tornillos proporcionados con este producto para instalar los soportes.
- Antes de comenzar la instalación, asegúrese de tener todas las piezas y herramientas.

 **Precaución**

No toque las partes afiladas con las manos desprotegidas, ya que podría lesionarse.

## Carriles de iluminación instalables

Compruebe el número de modelo del carril de iluminación que desea instalar antes de realizar la instalación.

Puede acoplar este producto a los siguientes tipos de carril de iluminación.

La siguiente información está actualizada con fecha de diciembre de 2018. Esto podría cambiarse sin previo aviso.

Fabricante	Número de modelo
Halo	<ul style="list-style-type: none"><li>• TEK441</li><li>• TEK442</li><li>• TEK443</li></ul>
Juno	<ul style="list-style-type: none"><li>• TEK44FT (BL)</li><li>• TEK44FT (WH)</li></ul>
Global trac tek	<ul style="list-style-type: none"><li>• TEK44-1</li><li>• TEK44-2</li><li>• TEK44-3</li></ul>

## Acoplar el soporte al proyector

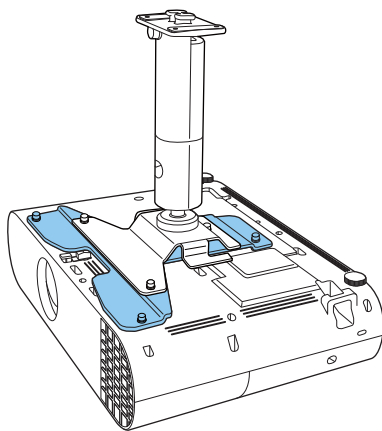
Fije la placa del proyector y la unidad del brazo a la base del proyector.

### Precaución

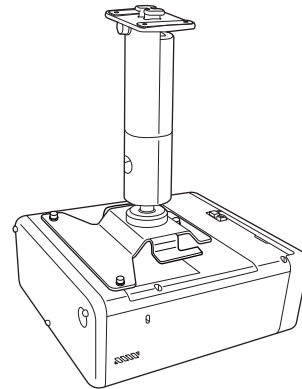
Asegúrese de utilizar los tornillos suministrados cuando coloque el soporte en el proyector.

### Colocar la placa del proyector

Es posible que no necesite colocar la placa del proyector según el modelo que esté utilizando. Vaya al procedimiento de instalación de la unidad del brazo.



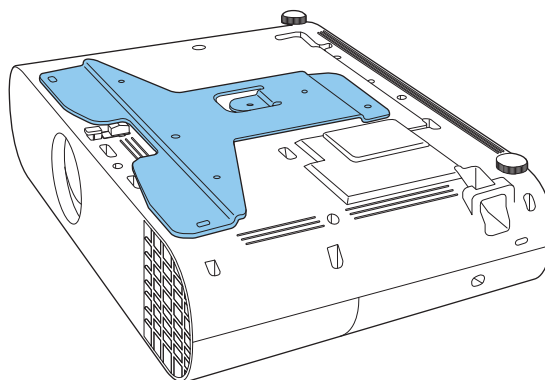
Placa de proyector necesaria



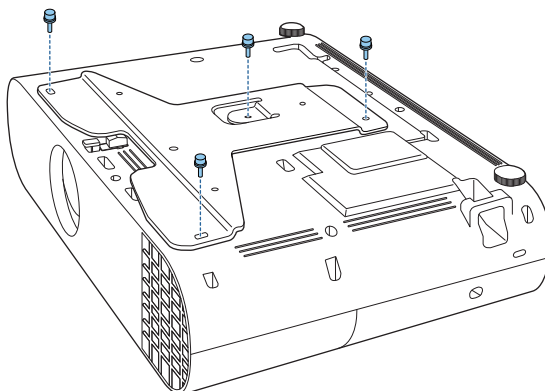
Placa de proyector innecesaria

### **1** Coloque la placa del proyector en la base de este.

Alinee los orificios de los tornillos de los puntos de anclaje del soporte del proyector con los orificios de los tornillos de la placa del proyector.

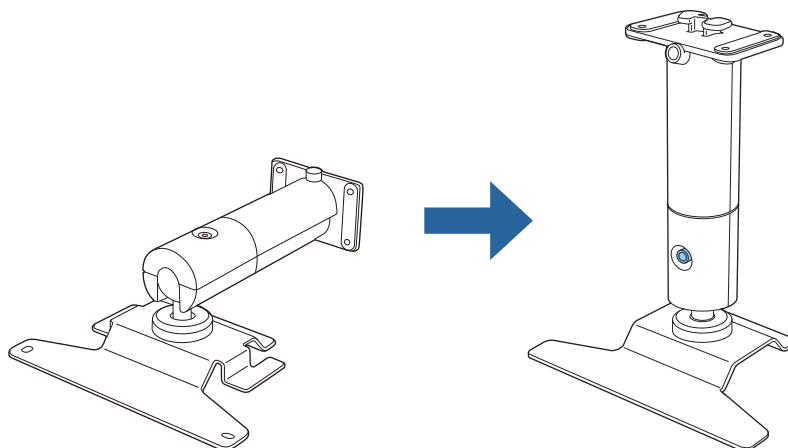


- 2 Fije la placa del proyector mediante los tornillos M4 x 10 mm suministrados (x4).



### Acoplar la unidad del brazo

- 1 Enderece la unidad del brazo y apriete los tornillos.

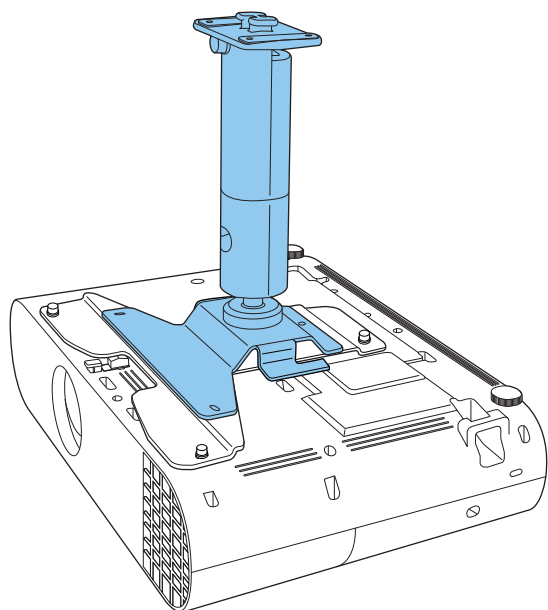




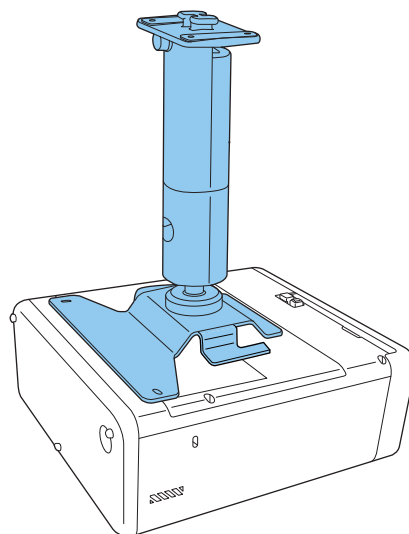
2

Coloque la unidad del brazo en el proyector.

Alinee los orificios de los tornillos en la placa del proyector o los orificios de los tornillos en el proyector con los orificios de los tornillos en la unidad del brazo.



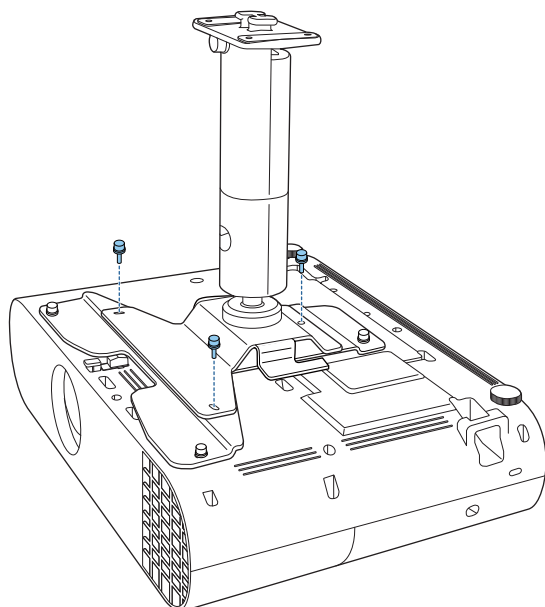
Con placa del proyector



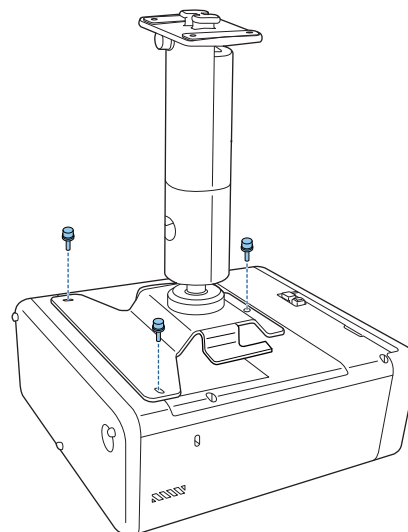
Sin placa del proyector

3

Fije la unidad del brazo al proyector mediante los tornillos M4 x 10 mm suministrados (x3).



Con placa del proyector



Sin placa del proyector

## Instalar el cable de seguridad

Al instalar el proyector en un lugar alto, como un techo, una pared o en un estante, después de colocar la unidad de brazo, instale el cable de seguridad suministrado para evitar que el proyector se caiga.

Para obtener más información sobre el procedimiento de instalación, consulte el *Manual de usuario* suministrado con el conjunto del cable de seguridad.

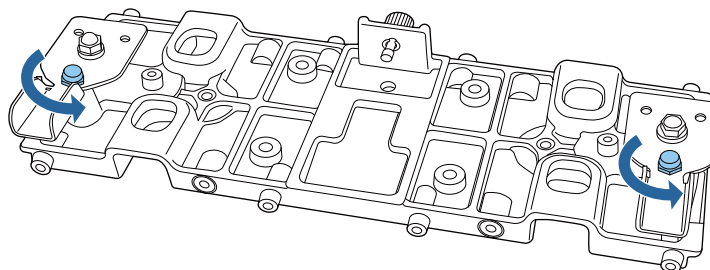
# Acoplar el proyector al carril de iluminación

## Acoplar la unidad del carril de iluminación

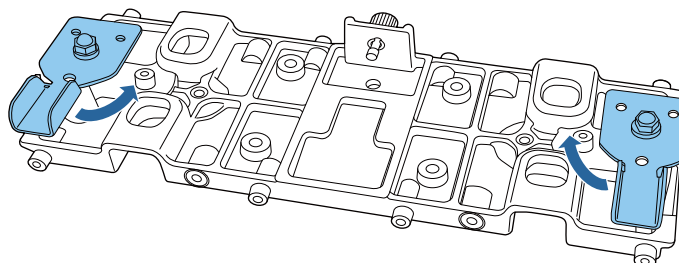
### Advertencia

- Asegúrese de apagar el carril de iluminación antes de realizar el trabajo de instalación. De lo contrario, se podrían producir descargas eléctricas.
- Asegúrese de que el carril de iluminación está firmemente fijado. De lo contrario, el soporte o el proyector puede caerse y provocar una lesión o un accidente.

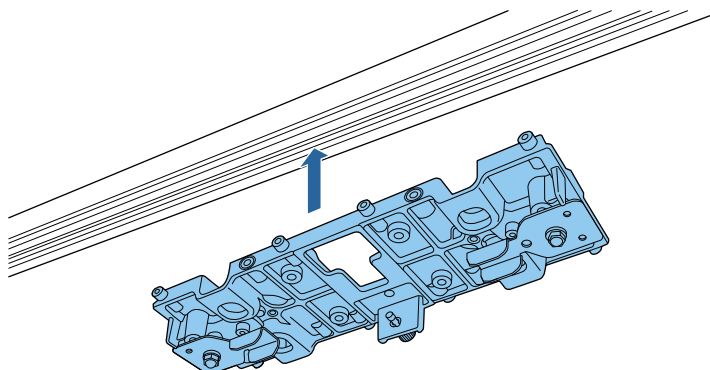
**1** Retire los tornillos de las palancas de ambos extremos de la unidad del carril de iluminación.



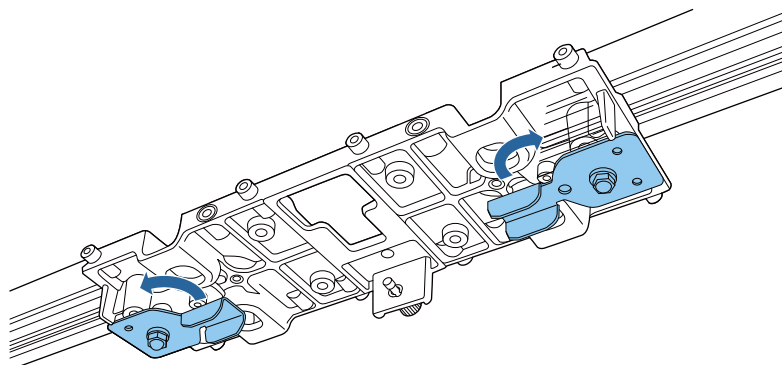
**2** Gire las palancas de ambos extremos de la unidad del carril de iluminación 90 grados.



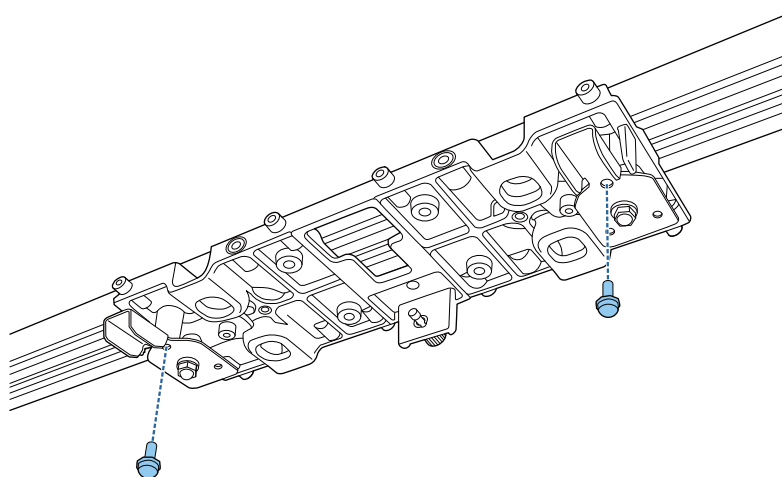
**3** Inserte la unidad del carril de iluminación en dicho carril donde instalará el proyector.



- 4** Gire ambas palancas de la unidad del carril de iluminación 90 grados.  
La unidad del carril de iluminación ahora está asegurada temporalmente.

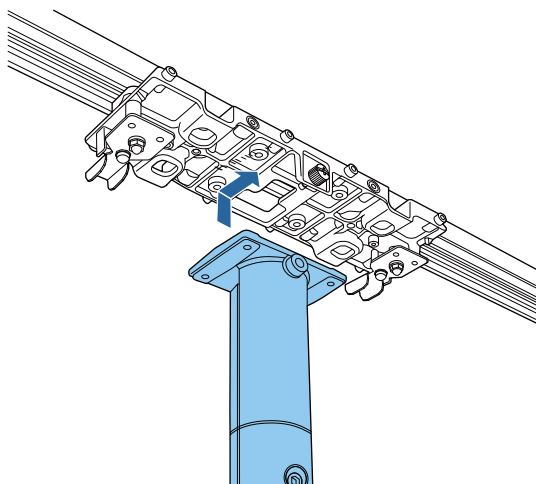


- 5** Asegure ambas palancas utilizando los tornillos M4 x 10 mm (x2) que retiró en el paso 1.

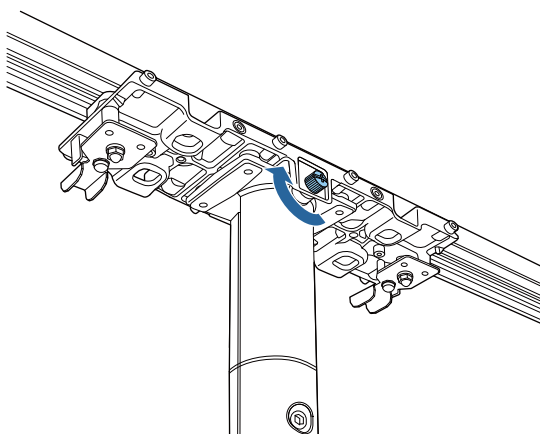


## Acoplar la unidad del brazo

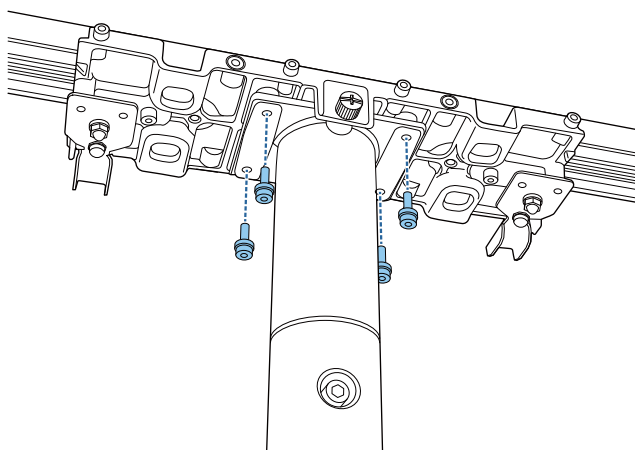
- 1** Inserte la unidad del brazo en el espacio de la unidad del carril de iluminación.  
Deslícela hacia delante y alinee los tornillos de la unidad del carril de iluminación con los orificios de los tornillos de la unidad del brazo.



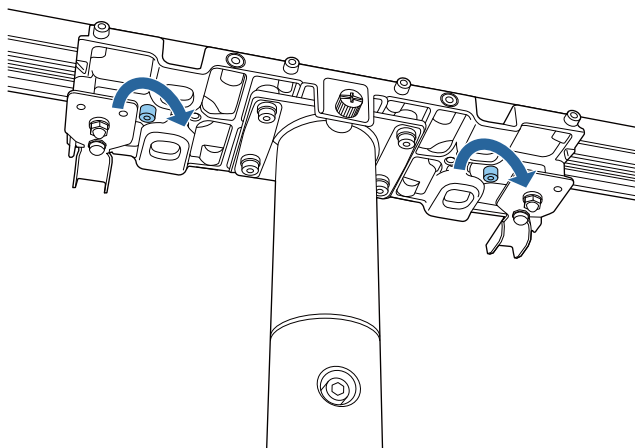
- 2** Apriete los tornillos de la unidad del carril de iluminación para asegurar temporalmente la unidad del brazo.



- 3** Apriete los tornillos M4 x 14 mm suministrados (x4) con una llave Allen (punta de bola M4) para asegurar la unidad del brazo.



- 4** Después de comprobar la posición del proyector, apriete los dos tornillos a los lados de las palancas con la llave hexagonal (punto de bola M4) suministrada.  
La unidad del carril de iluminación ahora está asegurada.

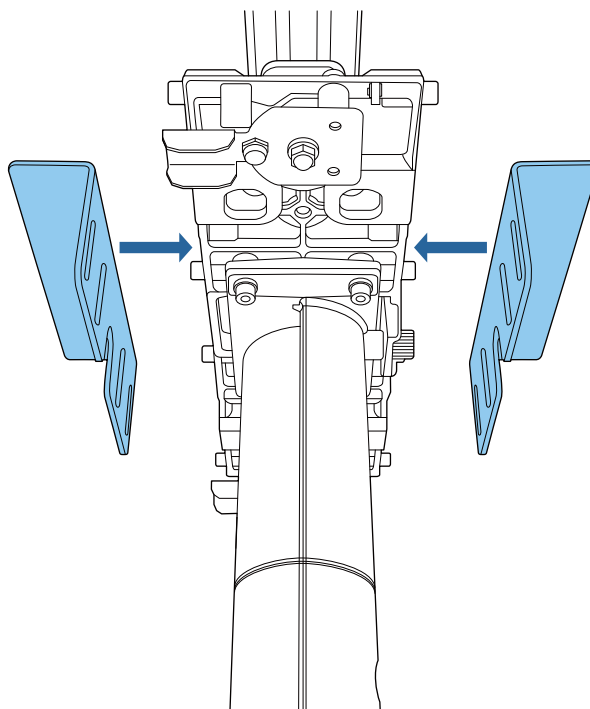


## Acoplar el soporte de fijación

Recomendamos instalar el soporte de fijación para evitar que las vibraciones del carril de iluminación se transmitan al proyector.

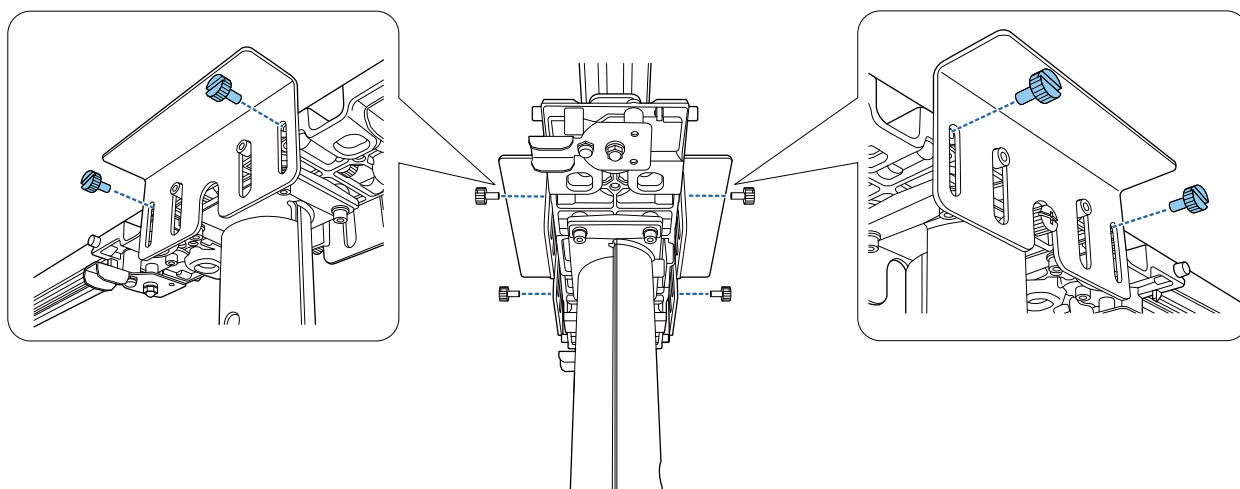
Si el techo no es lo suficientemente fuerte, no instale el soporte de fijación.

- 1 Inserte el soporte de fijación en las partes que sobresalen en ambos extremos de la unidad del carril de iluminación.



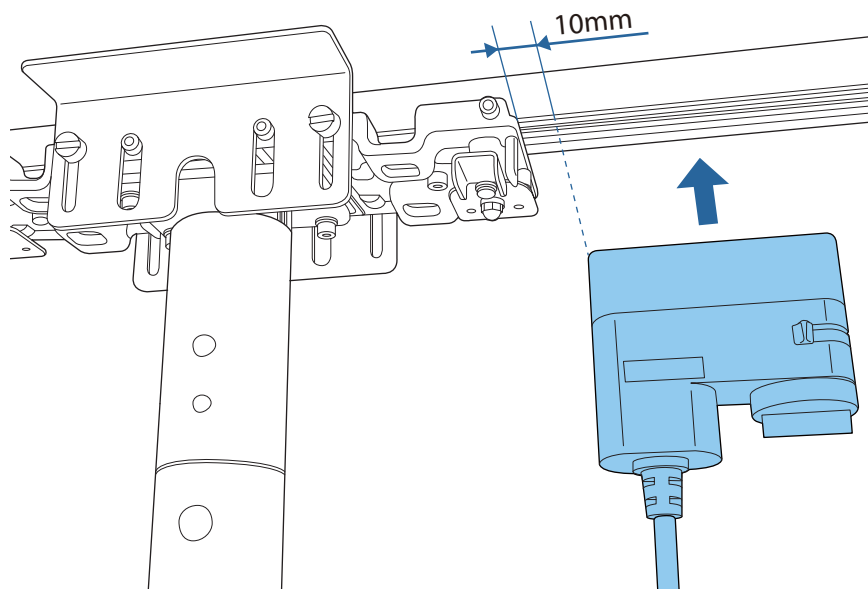
- 2 Asegúrese de que el soporte de fijación esté al ras respecto al techo sin espacios, y asegúrelo con los tornillos estriados M4 x 8 mm (x4) suministrados.

Apriete aún más los tornillos con un destornillador plano para evitar que el soporte de fijación se mueva.

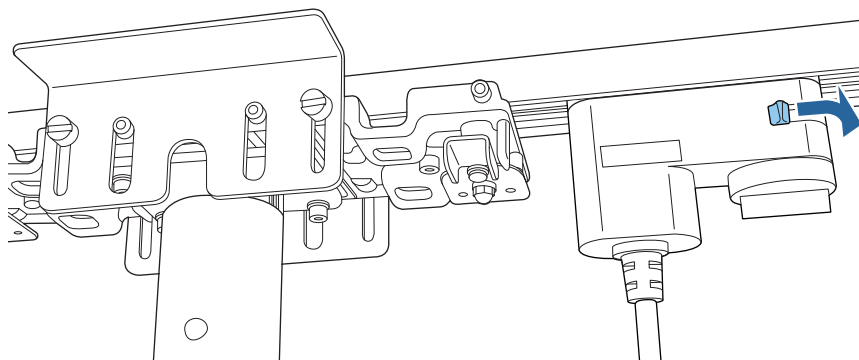


## Acoplar la unidad de la fuente de alimentación

- 1 Inserte la unidad de la fuente de alimentación en las ranuras del carril de iluminación.  
Deje aproximadamente 10 mm entre la unidad de carril de iluminación y la unidad de la fuente de alimentación para alinear la posición del cable de alimentación con la ranura de la cubierta del soporte.



- 2 Tire de la palanca de la fuente de alimentación.  
La fuente de alimentación está ahora asegurada al carril de iluminación.



- 3 Conecte el cable de alimentación a la entrada de alimentación del proyector.



## Conectar los cables

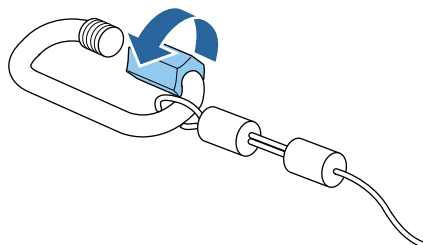
Conecte los cables necesarios a los puertos de conexión del proyector.

Consulte el *Manual de usuario* del proyector para obtener información sobre los puertos de conexión.

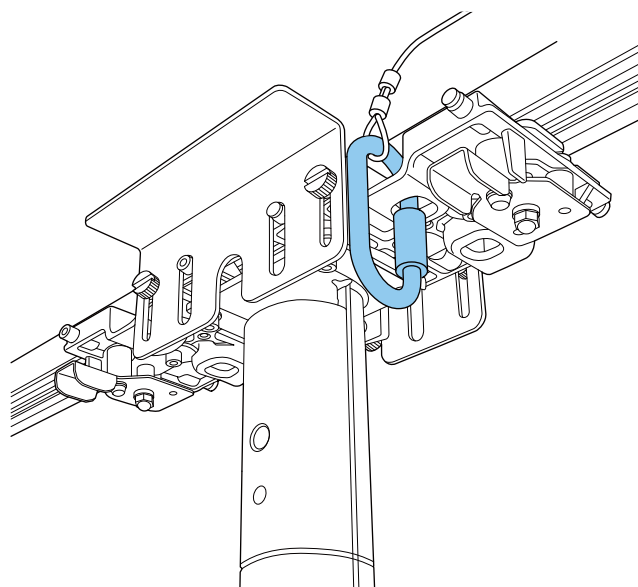


## Instalar la cubierta del soporte y el cable de seguridad

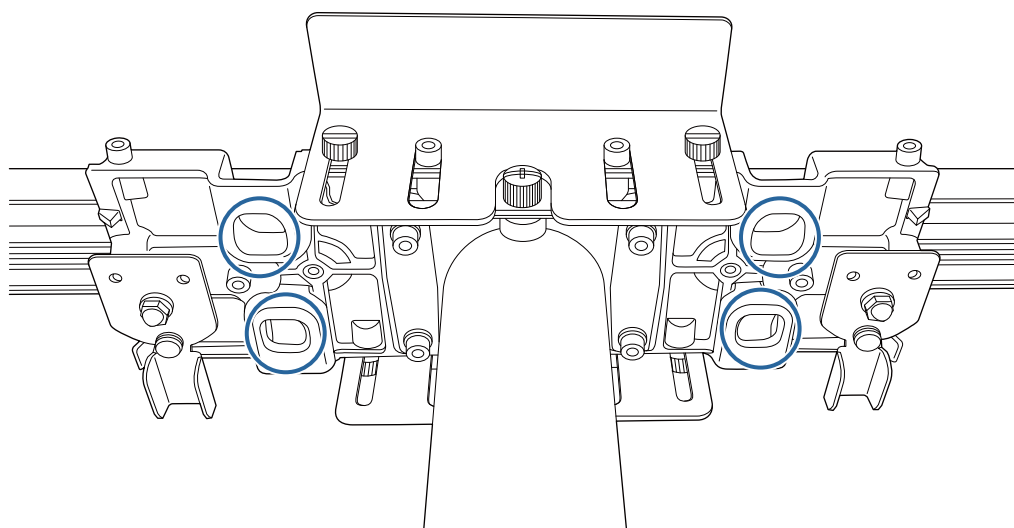
**1** Afloje el mosquetón para el cable de seguridad suministrado.



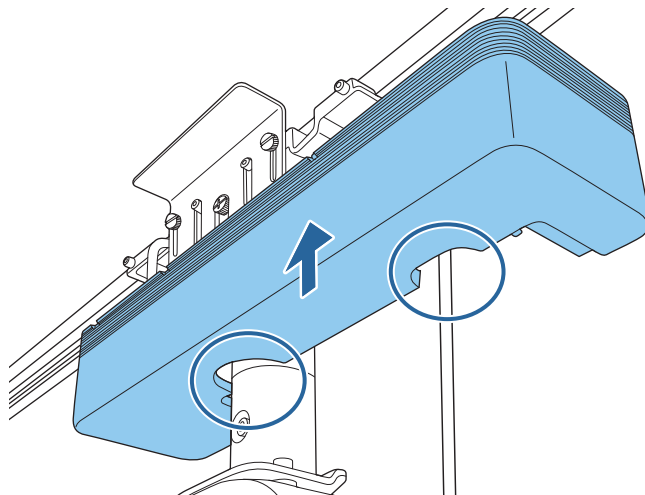
**2** Inserte el mosquetón aflojado a través del orificio de la unidad del carril de iluminación y, a continuación, apriételo.



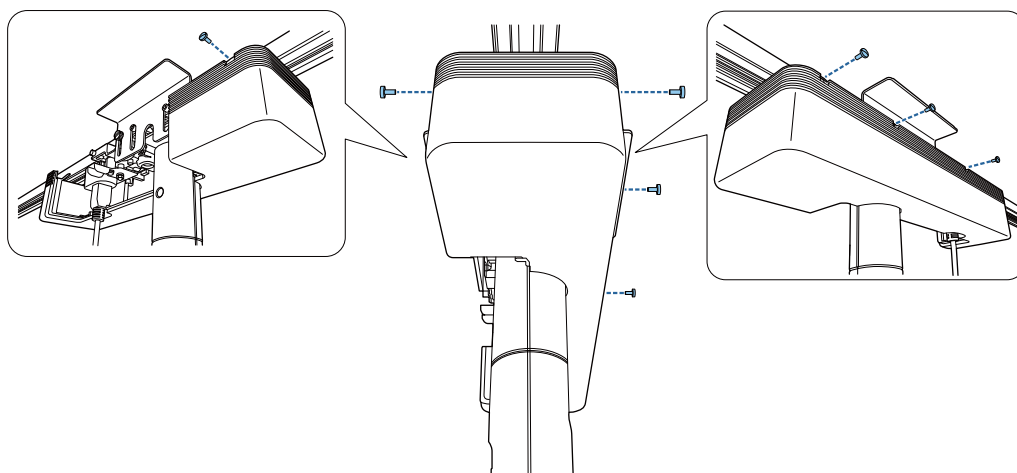
Puede insertarlo a través de cualquiera de los orificios siguientes.



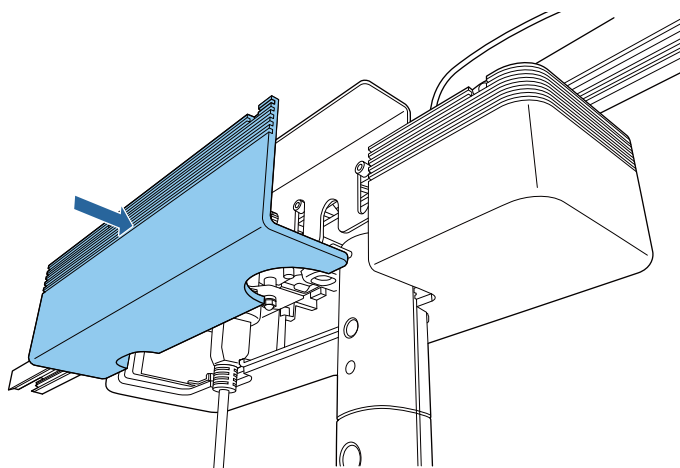
- 3** Fije la cubierta del soporte A a la unidad del carril de iluminación.  
Alinee la unidad del brazo y el cable de alimentación con sus muescas respectivas y, a continuación, deslice la cubierta hacia arriba.



- 4** Fije la cubierta del soporte A mediante los tornillos M3 x 6 mm suministrados (x4).

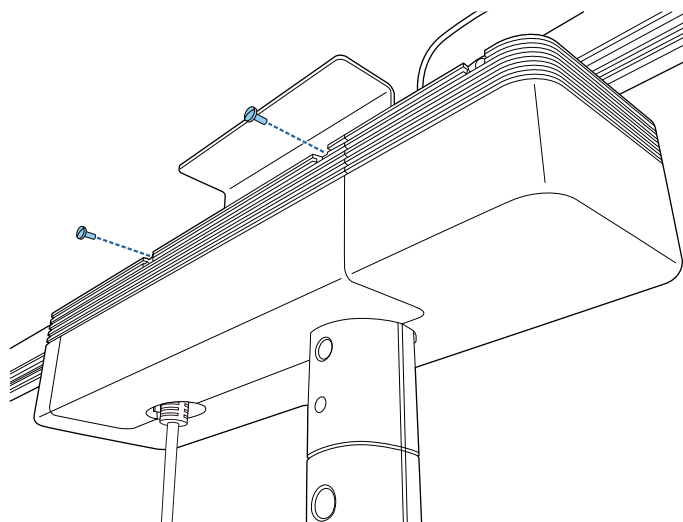


- 5** Coloque la cubierta de montaje B.  
Engánchela sobre la cubierta de montaje A y asegúrela temporalmente.



6

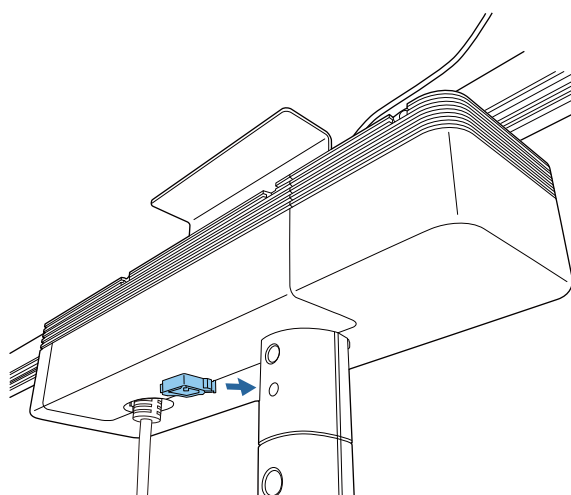
Fije la cubierta del soporte B mediante los tornillos M3 x 6 mm suministrados (x2).



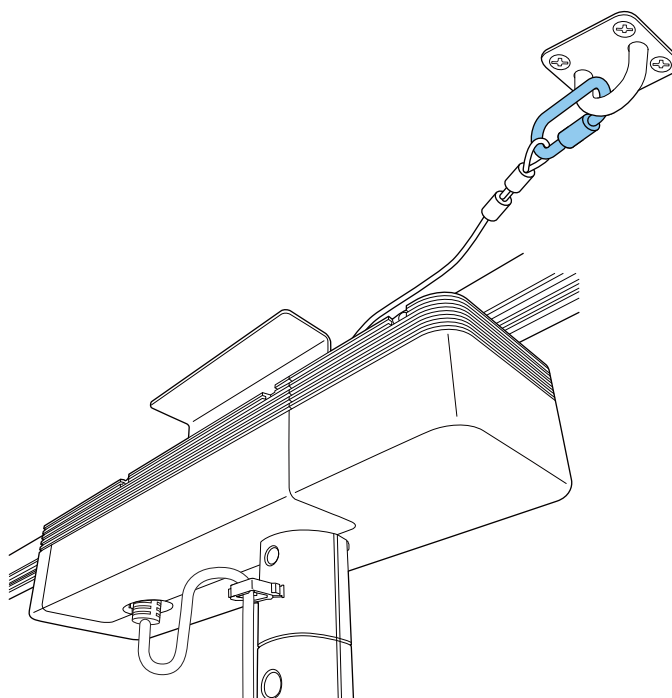
7

Acople la abrazadera para cables a la unidad del brazo.

Inserte la abrazadera para cables para que pase por los orificios de la unidad del brazo y luego pase el cable.



- 8 Instale el soporte del gancho del cable en el techo y luego coloque el mosquetón para el cable de seguridad.



 Precaución

Determine la posición de instalación para el soporte del gancho del cable de modo que el cable no se suelte.

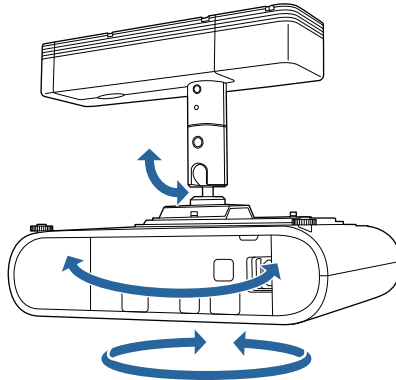


- Cuando instale el soporte con gancho para el cable, utilice tornillos para madera disponibles en tiendas especializadas con un diámetro nominal de 3,8 mm.
- Asegúrese de que los tornillos para madera entran al menos 20 mm en el techo o en la capa inferior del techo.

## Ajustar la orientación del proyector

Puede usar la articulación esférica de la sección de soporte del proyector para ajustar la orientación y el ángulo del dicho proyector.

El intervalo de ángulos disponibles varía según el modelo que esté usando. Para obtener más detalles, consulte el *Manual de usuario* suministrado con el proyector.



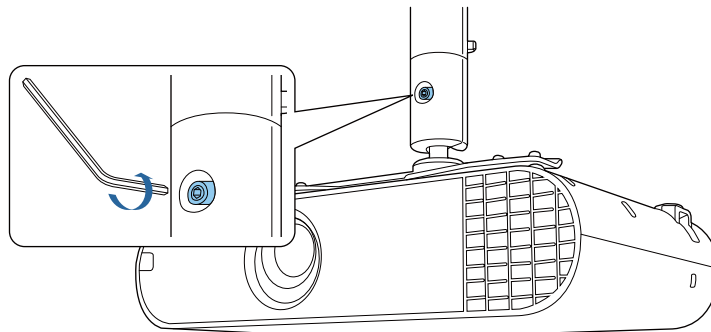
**1** Presione el botón de alimentación del proyector o del mando a distancia.

El proyector se enciende.

 **Precaución**

Antes de encender el proyector, asegúrese de que el soporte esté firmemente sujeto.

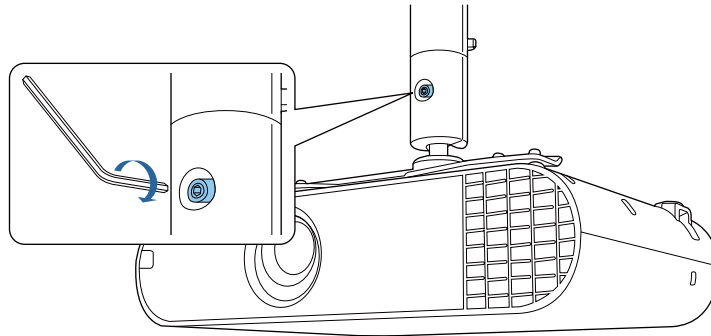
**2** Afloje el tornillo de la articulación esférica de la unidad con una llave Allen (M6).



**3** Ajuste la orientación del proyector.

Asegúrese de sostener el proyector desde abajo mientras ajusta la orientación.

- 4** Cuando haya terminado de realizar los ajustes, apriete de forma segura el tornillo de la sección de la articulación esférica con una llave Allen (M6).



- Después de realizar los ajustes, asegúrese de apretar completamente los tornillos de la articulación esférica. Si no se aprietan completamente, el ángulo del proyector cambiará, lo que modificará la posición de la imagen.
- Después de ajustar la orientación del proyector, ajuste el tamaño y el enfoque de la imagen proyectada. Para obtener más detalles, consulte el *Manual de usuario* suministrado con el proyector.

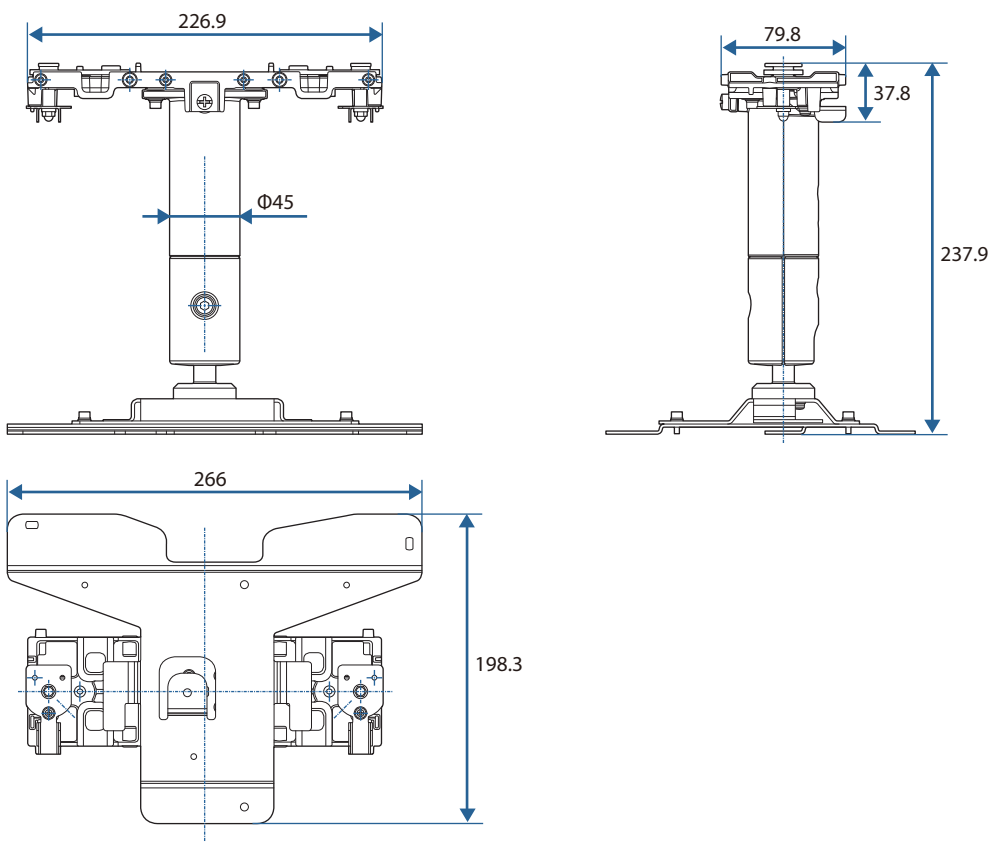
# Especificación

Elemento	Especificación
Masa (placa del proyector, unidad del brazo, unidad del carril de iluminación, soporte de fijación, cubierta del soporte A/B)	Aprox. 2,5 kg
Capacidad máxima de carga	Aprox. 10,0 kg

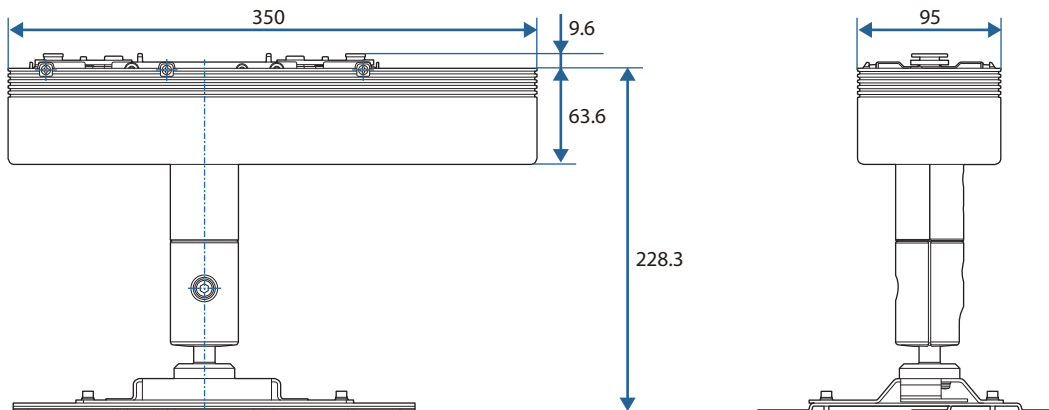
## Apariencia

[Unidad: mm]

Sin la tapa del soporte

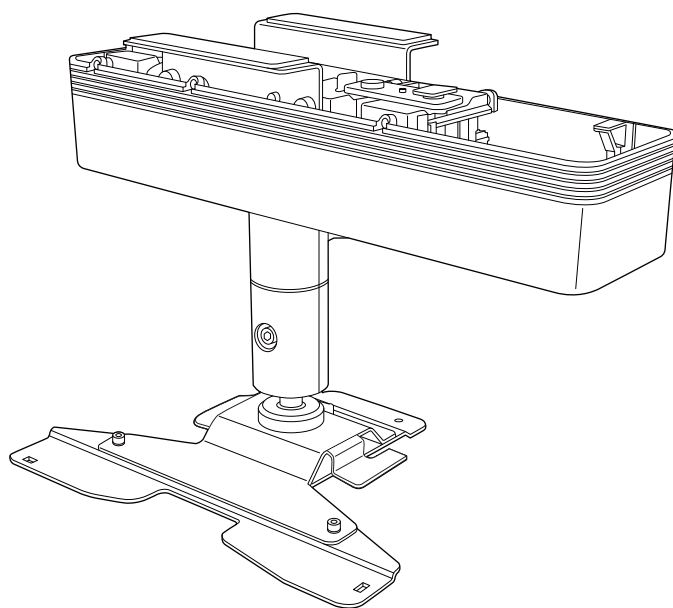


Con la tapa del soporte acoplada



# ELPMB61

## Manual de instalação





# Instruções de Segurança

Este manual explica como instalar o projetor num suporte de calha utilizando o Suporte de Calha ELPMB61 fornecido.



Leia este manual atentamente para utilizar os suportes de instalação e o projector em segurança. Um manuseamento incorrecto que ignore as instruções contidas neste manual poderá danificar este produto ou poderá resultar em lesões pessoais ou danos de propriedade. Mantenha este manual de instalação disponível para futura referência.

Para saber como utilizar o projector, leia o *Manual do Utilizador* e as *Instruções de Segurança* fornecidos com o seu projector e siga as instruções apresentadas nestes documentos.




## Indicações de Segurança

A documentação e este produto utilizam símbolos gráficos para demonstrar como utilizar o produto de forma correcta e segura para evitar ferimentos pessoais e danos materiais.



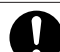
As indicações e o respectivo significado são apresentados em seguida. Certifique-se de que os compreende correctamente antes de ler o manual.
















Símbolo	Explicação
 Aviso	Este símbolo indica a informação que, se for ignorada, poderá resultar em lesões pessoais ou mesmo morte devido ao manuseamento incorrecto.
 Atenção	Este símbolo indica a informação que, se for ignorada, poderá resultar em lesões pessoais ou danos físicos devido ao manuseamento incorrecto.

## Indicações de informação geral













Símbolos	Explicação
	Símbolo que indica uma acção que não deve ser efectuada
	Símbolo que indica uma acção que deve ser efectuada
	Este símbolo indica informações relacionadas ou úteis



## Precauções ao instalar o projetor

 Aviso	
A instalação do suporte de calha e a instalação do projetor num suporte de calha devem ser efetuadas apenas por um técnico qualificado. Se o trabalho de instalação não for efectuado correctamente, o suporte ou o projector pode cair e provocar ferimentos ou acidentes.	
Siga as instruções deste manual ao efectuar o trabalho de instalação. Se as instruções não forem cumpridas, o suporte ou o projector pode cair e provocar ferimentos ou acidentes.	






 Aviso	
A instalação deve ser efectuada por, pelo menos, duas pessoas. Certifique-se também de que se encontra firmemente apoiado para não deixar cair o suporte ou o projector.	
Antes de efectuar os trabalhos, desligue a calha de iluminação. Se efectuar os trabalhos com a calha de iluminação ligada, poderá sofrer um choque eléctrico.	
Certifique-se de que usa o cabo de segurança fornecido para ligar o suporte ao teto e impedir a queda do suporte devido a sismos ou vibrações.	
Certifique-se de que instala o cabo de segurança fornecido no suporte e no projetor para impedir a queda do mesmo.	
Não instale nada neste suporte além de projetores EPSON compatíveis com este produto. Se instalar um projetor que não seja compatível com este produto, o suporte pode cair ou ficar danificado, causando morte ou ferimentos graves. Consulte o catálogo para uma lista dos projetores compatíveis com este produto.	
Tenha em atenção o seguinte quando manusear o cabo de alimentação. Caso contrário, poderá provocar um incêndio ou choque eléctrico. <ul style="list-style-type: none"> <li>• Não utilize a ficha com as mãos molhadas</li> <li>• Não utilize um cabo de alimentação danificado ou modificado</li> <li>• Não exerça força excessiva no cabo de alimentação</li> <li>• Não prenda o cabo entre as peças do suporte durante a instalação</li> </ul>	
Não enrole cabos à volta do projector ou do suporte.	
Quando efectuar as ligações dos cabos, encaminhe-os de modo a que não toquem nos parafusos. Se os cabos entrarem em contacto com os parafusos, podem provocar um incêndio ou choque eléctrico.	
Ao efectuar a instalação, certifique-se de que aperta totalmente os parafusos. Se estes não estiverem devidamente apertados, o suporte ou o projector pode cair e provocar ferimentos ou acidentes.	
Não desaperte nem remova parafusos sem justificação plausível durante a instalação ou remoção deste produto.	
Ao fixar o suporte, não utilize colas para impedir que os parafusos se desapertem e não utilize lubrificantes, óleos, etc. Se utilizar colas para impedir que os parafusos se desapertem, ou se utilizar lubrificantes ou óleos, o suporte ou o projector poderá quebrar e provocar ferimentos ou acidentes.	
Não pendure objectos no suporte ou no projector e não coloque objectos pesados em cima dos mesmos. Caso contrário, o suporte ou o projector pode cair e provocar ferimentos ou a morte.	
Ao efectuar a instalação, não exerça força excessiva no projector ou no suporte. Caso contrário, poderá danificar o suporte ou o projector e provocar ferimentos ou a morte.	
Não efectue a instalação nas seguintes situações. Contacte o seu distribuidor local ou o centro de apoio ao cliente Epson. <ul style="list-style-type: none"> <li>• Se o produto estiver danificado ou o tiver sofrido uma queda antes ou durante a instalação</li> <li>• Se o suporte estiver danificado ou apresentar anomalias</li> </ul>	

## Avisos e precauções acerca dos locais de instalação

 Aviso	
<p>Instale o produto apenas em suportes de calha que suportem a sua instalação. Caso contrário, o suporte ou o projector pode cair e provocar ferimentos ou a morte.</p>	
<p>Não instale o suporte na calha de iluminação nas seguintes situações. Caso contrário, poderá danificar a calha de iluminação. Da mesma forma, o suporte ou o projector pode cair e provocar ferimentos ou acidentes.</p> <ul style="list-style-type: none"> <li>• Suportes de calha com aberturas distorcidas ou danificadas</li> <li>• Calhas de iluminação fixadas em paredes, chãos ou locais inclinados</li> <li>• Calhas de iluminação fixadas em tectos falsos</li> <li>• Calhas de iluminação fixadas em tubos</li> <li>• Calhas de iluminação incorporadas no tecto</li> </ul>	
<p>Não instale nem utilize o projector em locais onde este possa ficar exposto a chuva ou água, tais como, espaços exteriores, casas de banho ou balneários. Caso contrário, poderá provocar um incêndio ou choque eléctrico.</p>	
<p>Não utilize o videoprojector num local sujeito a gás inflamável ou explosivo. Se o projector aquecer demasiado, poderá incendiar e provocar um incêndio.</p>	
<p>Não tape a abertura para entrada de ar nem a abertura para saída de ar do videoprojector. Se tapar as aberturas de ventilação, a temperatura interna do projector poderá aumentar e provocar um incêndio.</p>	
 Atenção	
<p>Não instale o projector num local que esteja sujeito a temperaturas que excedam o intervalo de temperaturas de funcionamento do projector. Esse tipo de ambiente poderá danificar o videoprojector.</p>	
<p>Instale-o num local afastado de saídas de ar, como por exemplo de aparelhos de ar condicionado. Se o ar proveniente do ar condicionado incidir directamente sobre o projector, a temperatura aumentará e o projector poderá não funcionar correctamente.</p>	
<p>Instale-o afastado de lâmpadas fluorescentes. Alguns tipos de luzes fluorescentes poderão interferir com controlo remoto do videoprojector.</p>	
<p>Instale-o num local onde luzes fortes, como luzes de lâmpadas fluorescentes e luz solar directa não incidam sobre o receptor do controlo remoto. Se raios fortes de luz incidirem sobre o receptor do controlo remoto, poderá não ser possível executar correctamente as operações do controlo remoto.</p>	
<p>Instale o projector num local sem pó ou humidade excessiva para evitar que a lente ou os componentes internos fiquem sujos.</p>	

 Atenção	
<p>Não instale o projetor num local sujeito a elevados níveis de poeira ou humidade, nem num local sujeito a fumo ou vapor.</p> <p>Caso contrário, poderá provocar um incêndio ou choque elétrico. A estrutura exterior do projetor também pode deteriorar e ficar danificada, levando à queda do projetor do suporte.</p> <p>Exemplos de ambientes que podem causar a queda do projetor devido a deterioração da estrutura exterior</p> <ul style="list-style-type: none"> <li>• Locais sujeitos a fumo excessivo ou partículas de óleo aerossóis, como fábricas ou cozinhas</li> <li>• Locais contendo solventes ou químicos voláteis, como fábricas ou laboratórios</li> <li>• Locais onde o projetor possa estar sujeito a detergentes ou químicos, como fábricas ou cozinhas</li> <li>• Locais onde sejam utilizados óleos aromáticos regularmente, como salas de relaxamento</li> <li>• Na proximidade de dispositivos que produzam fumo excessivo, partículas de óleo aerossóis ou espuma em eventos</li> </ul>	

### Precauções de manuseamento após a instalação

 Aviso	
<p>Nunca desaperte os parafusos após a instalação.</p> <p>Verifique regularmente se existem parafusos desapertados, e caso existam, aperte-os correctamente. Se estes não estiverem devidamente apertados, o suporte ou o projector pode cair e provocar ferimentos ou acidentes.</p>	
<p>Ao instalar ou suspender o produto no suporte, não exerça força excessiva.</p>	
<p>Nunca desmonte nem remodele este produto, exceto conforme indicado neste manual.</p>	
<p>Não utilize um pano húmido ou solventes, como álcool, benzina ou diluente, aquando da limpeza do produto.</p> <p>Pode entrar água no projetor ou a estrutura exterior pode deteriorar e rachar causando choque elétrico.</p>	

## **Utilizar o Produto em Segurança**

---

<b>Instruções de Segurança</b> .....	<b>1</b>
Indicações de Segurança .....	1
Indicações de informação geral .....	1
Precauções ao instalar o projector .....	1
Avisos e precauções acerca dos locais de instalação .....	3
Precauções de manuseamento após a instalação .....	4

## **Preparar o projector**

---

<b>Conteúdos da Embalagem</b> .....	<b>6</b>
<b>Calhas de Iluminação de Suporte</b> .....	<b>8</b>

## **Procedimento de Instalação**

---

<b>Fixar o suporte no projector</b> .....	<b>9</b>
Fixar a placa do projetor .....	9
Fixar a unidade de braço .....	10
<b>Instalar o cabo de segurança</b> .....	<b>12</b>
<b>Fixar o projector na calha de iluminação</b> .....	<b>13</b>
Fixar a unidade do suporte de calha .....	13
Fixar a unidade de braço .....	14
Fixar o suporte .....	16
Fixar a unidade de alimentação .....	17
<b>Ligar os cabos</b> .....	<b>18</b>
<b>Instalar a Tapa do suporte e o Cabo de segurança</b> .....	<b>19</b>
<b>Ajustar a orientação do projector</b> .....	<b>23</b>

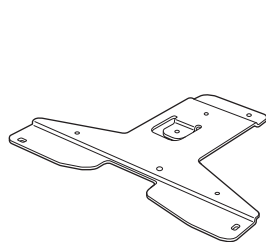
## **Anexos**

---

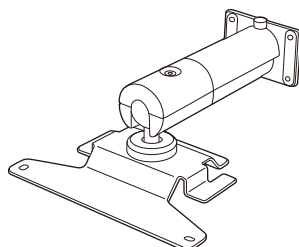
<b>Especificação</b> .....	<b>25</b>
Aspecto .....	25

## Conteúdos da Embalagem

Verifique se possui todos os seguintes acessórios antes de iniciar o trabalho.



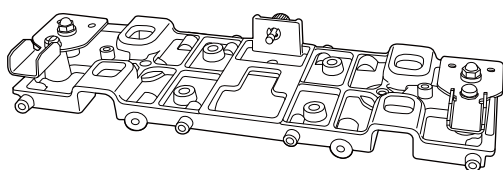
Placa do projetor



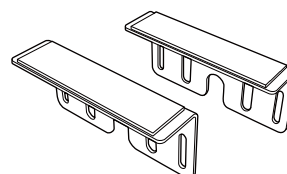
Unidade de braço



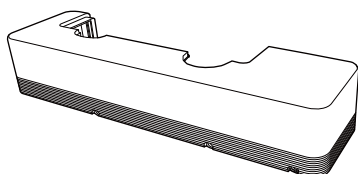
Grampo para cabos



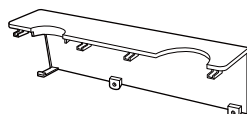
Unidade de suporte de calha



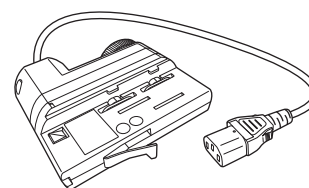
Suporte (x 2)



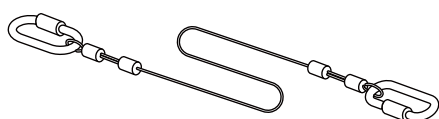
Tampa do suporte A



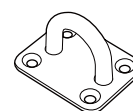
Tampa do suporte B



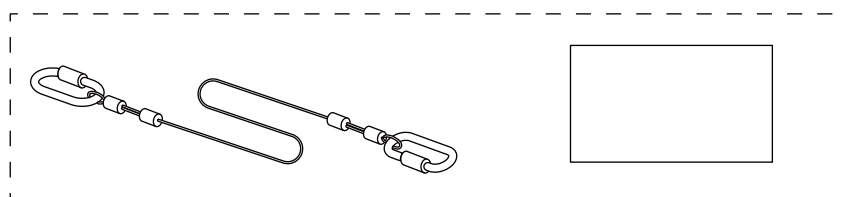
Unidade de alimentação



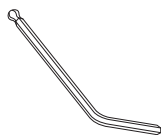
Cabo de segurança  
(500 mm)



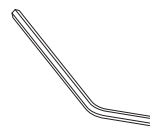
Suporte de argola para o cabo







Conjunto de cabo de segurança (cabo de segurança (500 mm) e *Manual do Utilizador*)



Chave hexagonal (M4 ponta esférica)



Chave hexagonal (M6)

Forma	Nome	Quantidade	Aplicação
	Parafuso de cabeça hexagonal M4 x 14 mm (com anilha): preto	4	Fixa a unidade de braço à unidade de suporte de calha.
	Parafuso de cabeça hexagonal M4 x 10 mm (com anilha): prateado	4	Fixa a placa do projetor ao projetor.
		3	Fixa a unidade de braço à placa do projetor.
	Parafuso serrilhado M4 x 8 mm	4	Fixa o suporte.
	Parafuso de fenda de cruz M3 x 6 mm	6	Fixa a tampa do suporte.

- Ao instalar os suportes, utilize os parafusos fornecidos com este produto.
- Reúna as ferramentas e peças necessárias antes de iniciar a instalação.



### Atenção

Não toque nas extremidades afiadas com as mãos desprotegidas pois poderá provocar ferimentos.

## Calhas de Iluminação de Suporte

Verifique o número do modelo da calha de iluminação que pretende instalar antes de efectuar a instalação.

Pode fixar este produto aos seguintes tipos de suportes de calha.

As informações apresentadas estão corretas à data de dezembro de 2018. Esta informação pode ser alterada sem aviso prévio.

Fabricante	Número do modelo
Halo	<ul style="list-style-type: none"><li>• TEK441</li><li>• TEK442</li><li>• TEK443</li></ul>
Juno	<ul style="list-style-type: none"><li>• TEK44FT (BL)</li><li>• TEK44FT (WH)</li></ul>
Global trac tek	<ul style="list-style-type: none"><li>• TEK44-1</li><li>• TEK44-2</li><li>• TEK44-3</li></ul>



## Fixar o suporte no projetor

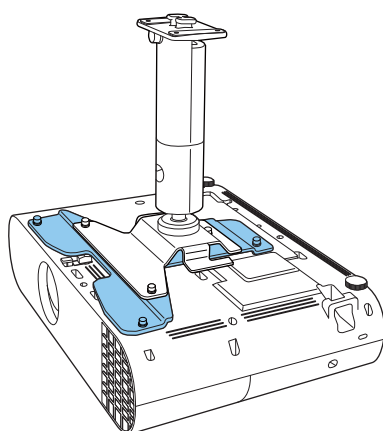
Fixe a placa do projetor e a unidade de braço à base do projetor.

### Atenção

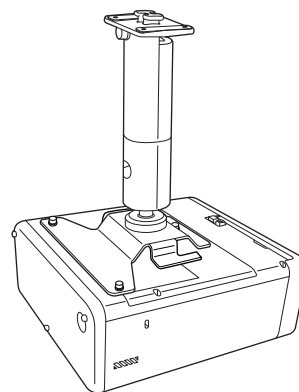
Certifique-se de que utiliza os parafusos fornecidos ao fixar o suporte no projetor.

### Fixar a placa do projetor

Poderá ter de fixar a placa do projetor consoante o modelo que estiver a utilizar. Consulte o procedimento de instalação da unidade de braço.



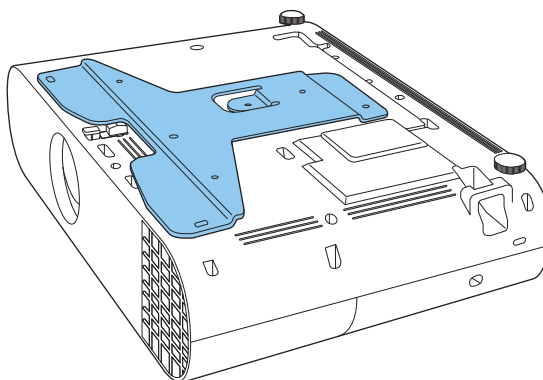
Placa de projetor necessária



Placa de projetor desnecessária

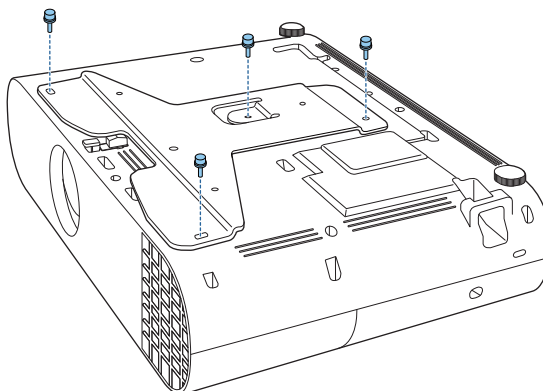
### **1** Instale a placa do projetor na base do projetor.

Alinhe os orifícios dos parafusos no ponto de fixação do projetor com os orifícios dos parafusos na placa do projetor.



2

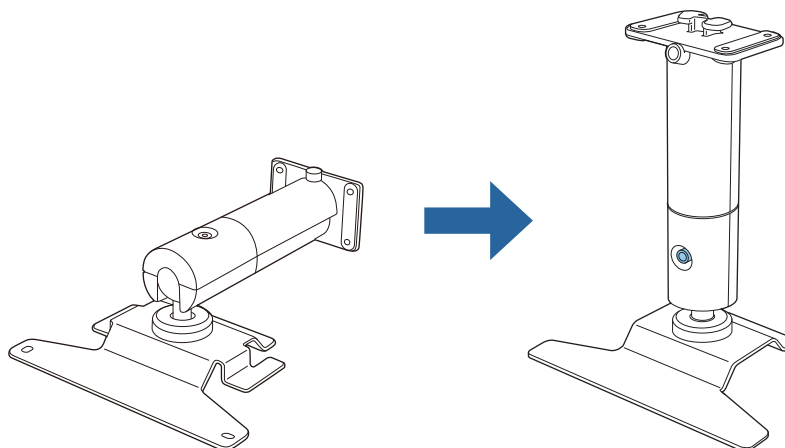
Fixe a placa do suporte utilizando os parafusos M4 x 10 mm fornecidos (x4).



### Fixar a unidade de braço

1

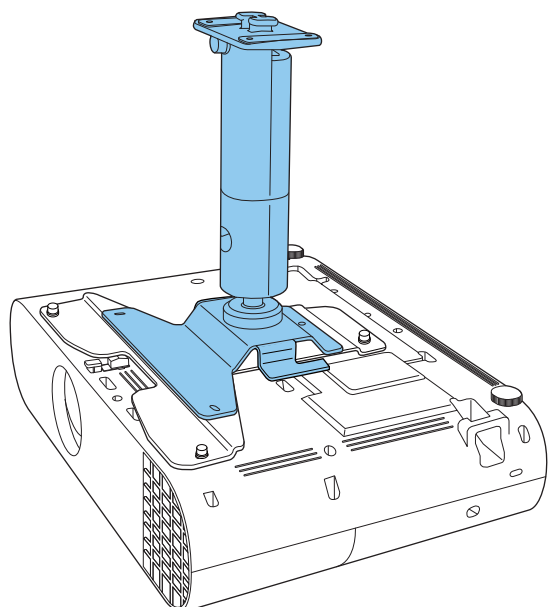
Endireite a unidade de braço e aperte os parafusos.



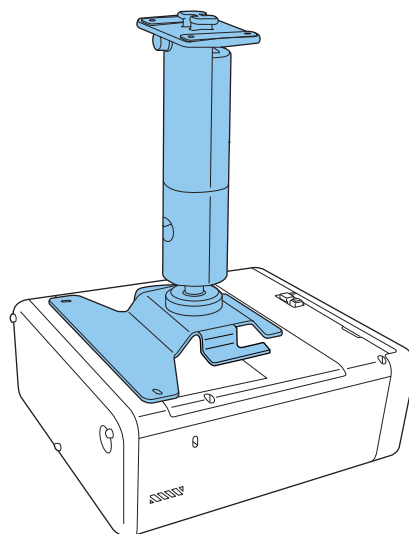
2

Coloque a unidade de braço no projetor.

Alinhe os orifícios dos parafusos na placa do projetor ou os orifícios dos parafusos no projetor com os orifícios dos parafusos na unidade de braço.



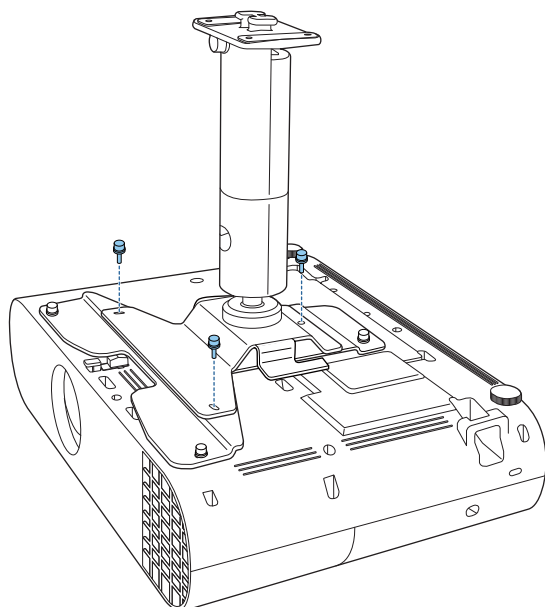
Com placa do projetor



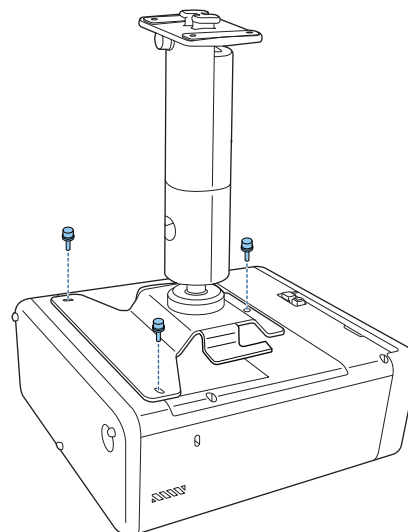
Sem placa do projetor

3

Fixe a unidade de braço no projetor utilizando os parafusos M4 x 10 mm fornecidos (x3).



Com placa do projetor



Sem placa do projetor

## Instalar o cabo de segurança

Aquando da instalação num local alto, como teto, parede, ou prateleira, depois de fixar a unidade de braço, instale o cabo de segurança fornecido para evitar a queda do projetor.

Para detalhes sobre o procedimento de instalação, consulte o *Manual do Utilizador* fornecido com o conjunto do cabo de segurança.

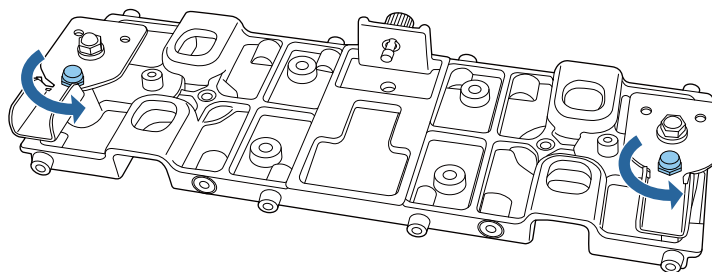
## Fixar o projector na calha de iluminação

### Fixar a unidade do suporte de calha

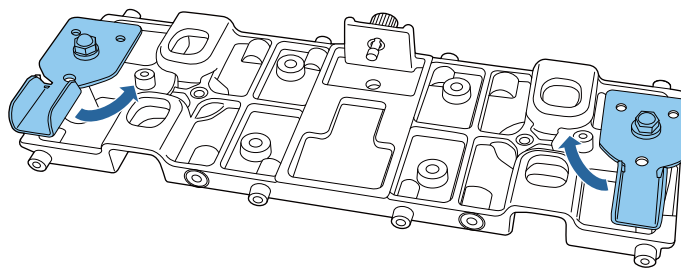
#### Aviso

- Antes de efectuar os trabalhos de instalação, desligue a calha de iluminação. Caso contrário, poderá ocorrer um choque eléctrico.
- Certifique-se de que a calha de iluminação está fixada correctamente. Caso contrário, o suporte ou o projector pode cair e provocar ferimentos ou acidentes.

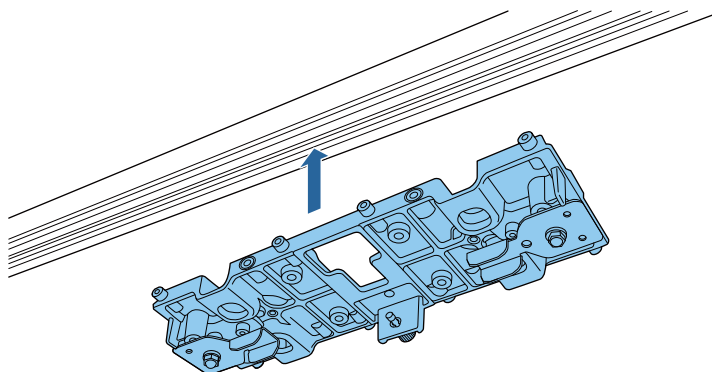
- 1 Remova os parafusos das alavancas em ambas as extremidades da unidade de suporte de calha.



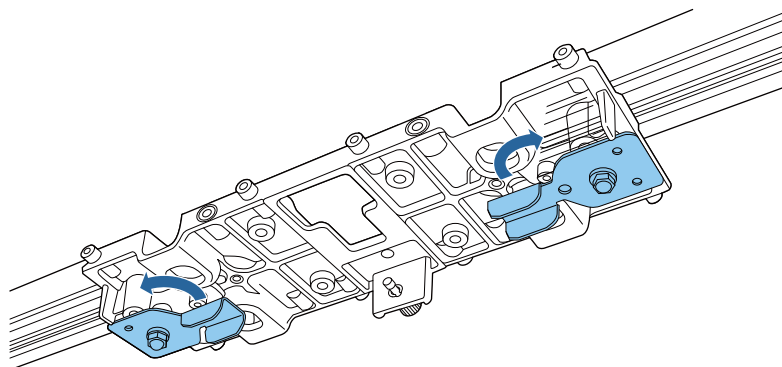
- 2 Rode as alavancas em ambas as extremidades do suporte de calha 90 graus.



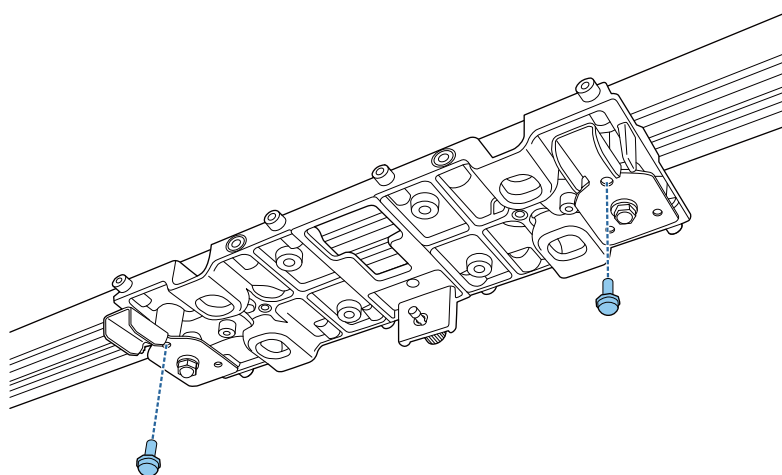
- 3 Insira a unidade do suporte de calha no suporte de calha, no local de instalação do projetor.



- 4 Rode ambas as alavancas do suporte de calha 90 graus.  
A unidade do suporte de calha está agora temporariamente fixa.

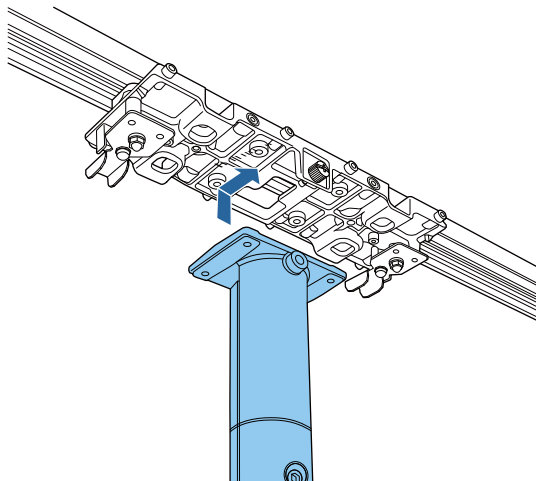


- 5 Fixe ambas as alavancas usando os parafusos M4 x 10 mm (x2) que removeu no passo 1.

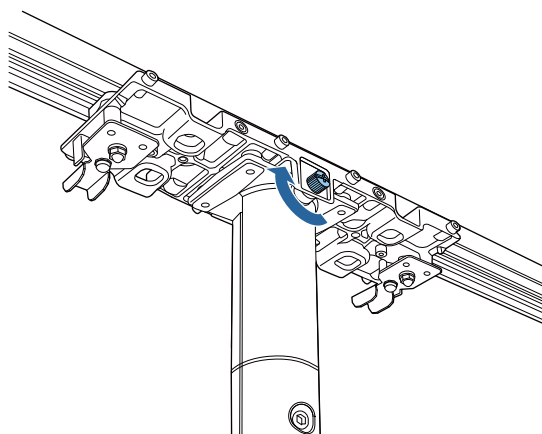


### Fixar a unidade de braço

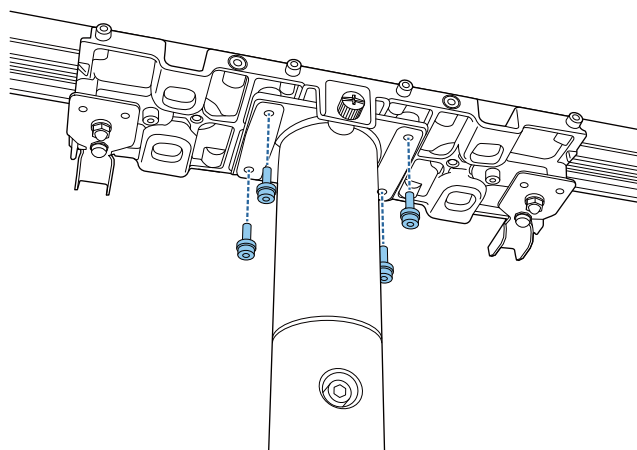
- 1 Insira a unidade de braço no espaço específico na unidade de suporte de calha.  
Deslize-a para a frente e alinhe os orifícios dos parafusos na unidade de suporte de calha com os orifícios de parafusos na unidade de braço.



- 2** Aperte os parafusos na unidade de suporte de calha para fixar temporariamente a unidade de braço.

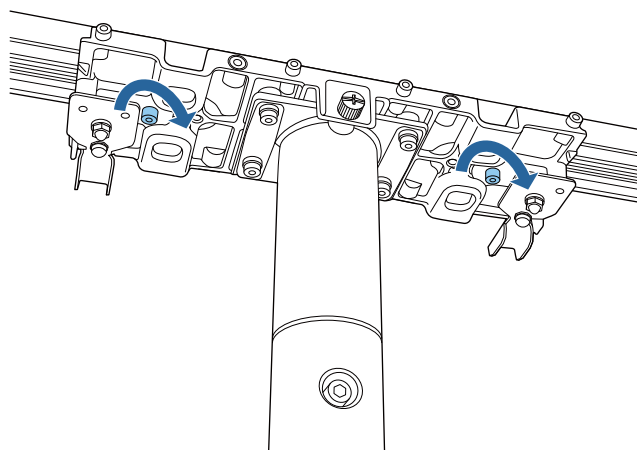


- 3** Aperte os parafusos M4 x 14 mm fornecidos (x4) com a chave hexagonal (ponta esférica M4) para fixar a unidade de braço.



- 4** Depois de verificar a posição do projetor, aperte os dois parafusos nas laterais das alavancas usando a chave hexagonal (ponta esférica M4) fornecida.

A unidade de suporte de calha está agora fixa.

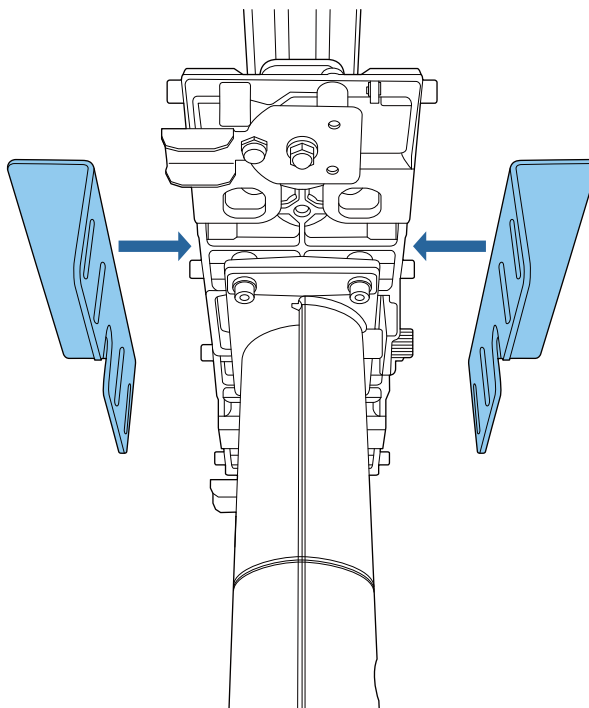


## Fixar o suporte

Recomendamos que instale o suporte para evitar que vibrações do suporte de calha sejam transmitidas ao projetor.

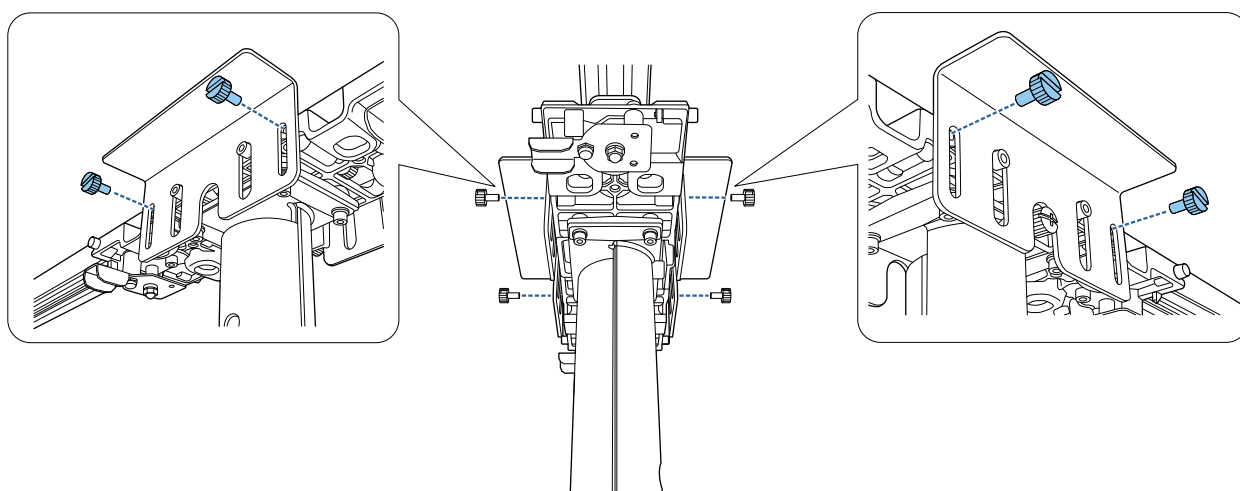
Se o teto não for resistente o suficiente, não instale o suporte.

**1** Insira o suporte nas protusões em ambas as extremidades da unidade de suporte de calha.



**2** Certifique-se de que o suporte está encostado ao teto, sem espaço livre, e fixe-o com os parafusos serrilhados M4 x 8 mm (x4) fornecidos.

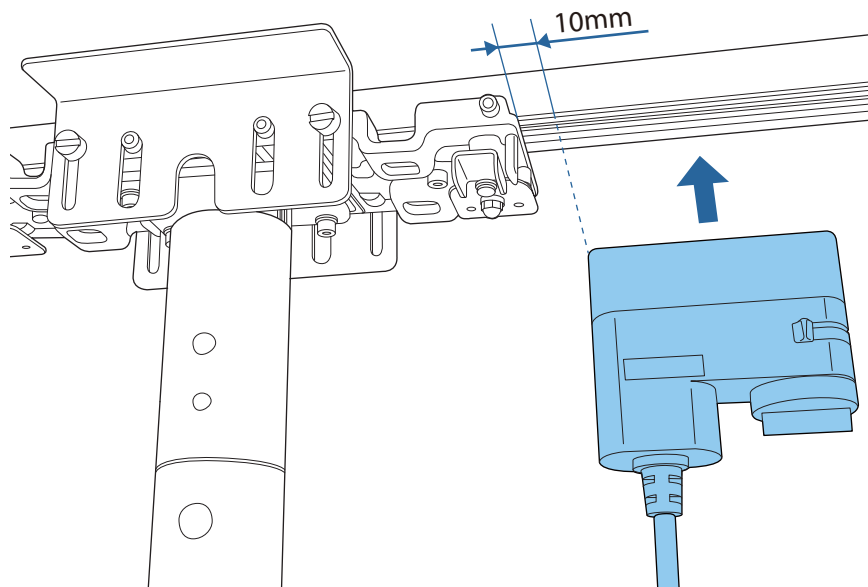
Aperte os parafusos mais um pouco com uma chave de fendas para evitar a movimentação do suporte.



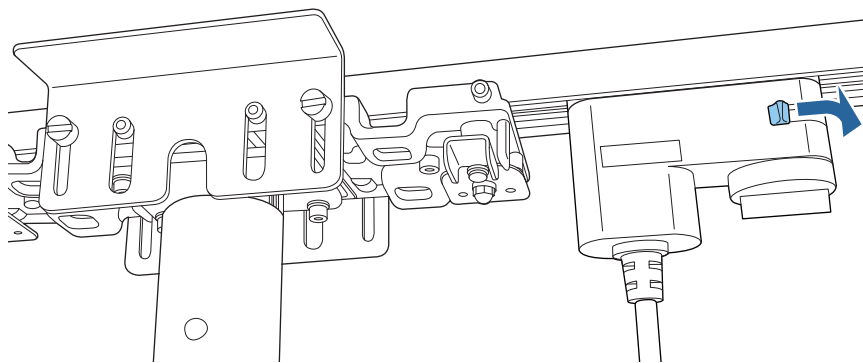


## Fixar a unidade de alimentação

- 1** Insira a unidade de alimentação na ranhura do suporte de calha.  
Deixe um espaço de aproximadamente 10 mm entre a unidade do suporte de calha e a unidade de alimentação para alinhar a posição do cabo de corrente com a ranhura na tampa do suporte.



- 2** Puxe a alavanca da unidade de alimentação.  
A unidade de alimentação está agora fixa do suporte de calha.



- 3** Ligue o cabo de alimentação à entrada de alimentação do projector.

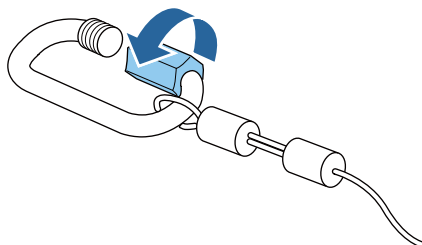
## Ligar os cabos

Ligue os cabos necessários às portas de ligação do projetor.

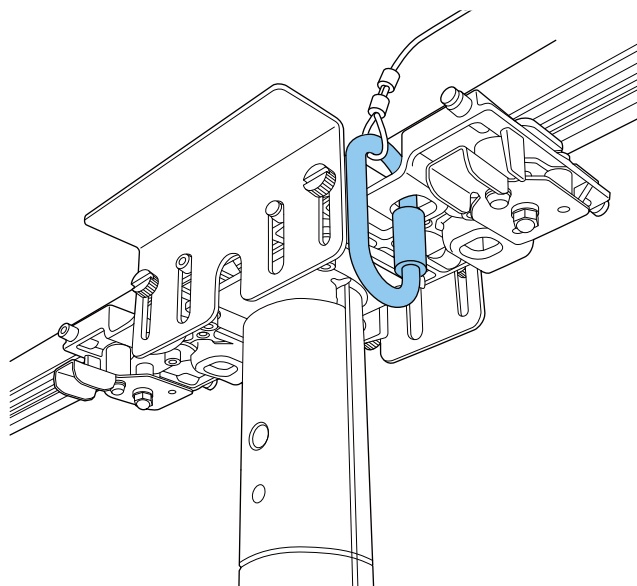
Consulte o *Manual do Utilizador* do projectador para obter mais informações sobre as portas de ligação.

## Instalar a Tampa do suporte e o Cabo de segurança

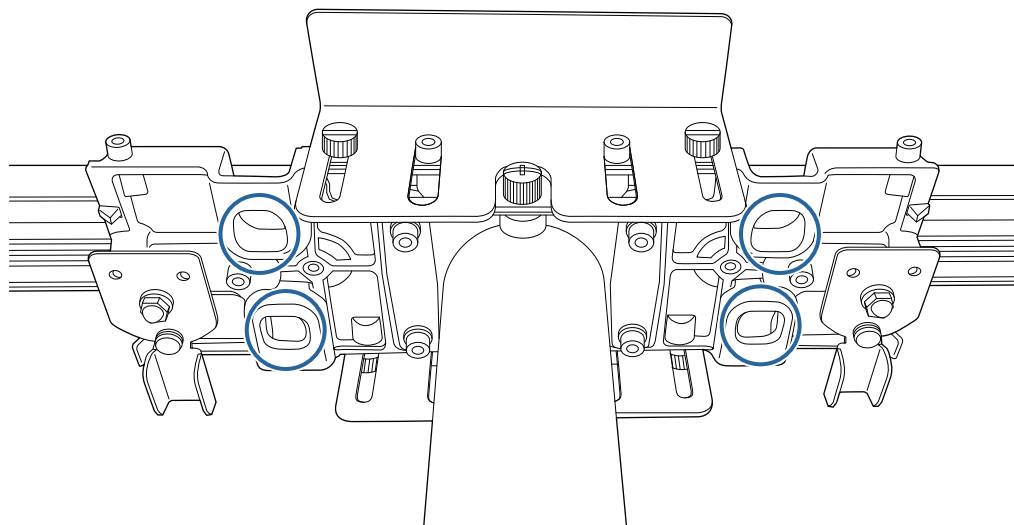
1 Desaperte o mosquetão do cabo de segurança fornecido.



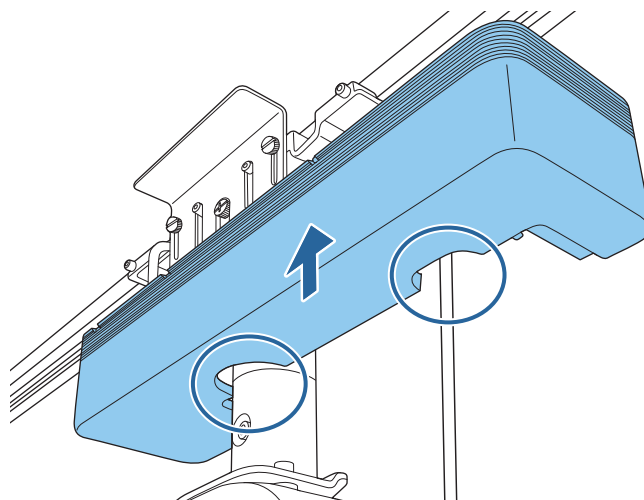
2 Insira o mosquetão desapertado no orifício do suporte de calha e aperte-o.



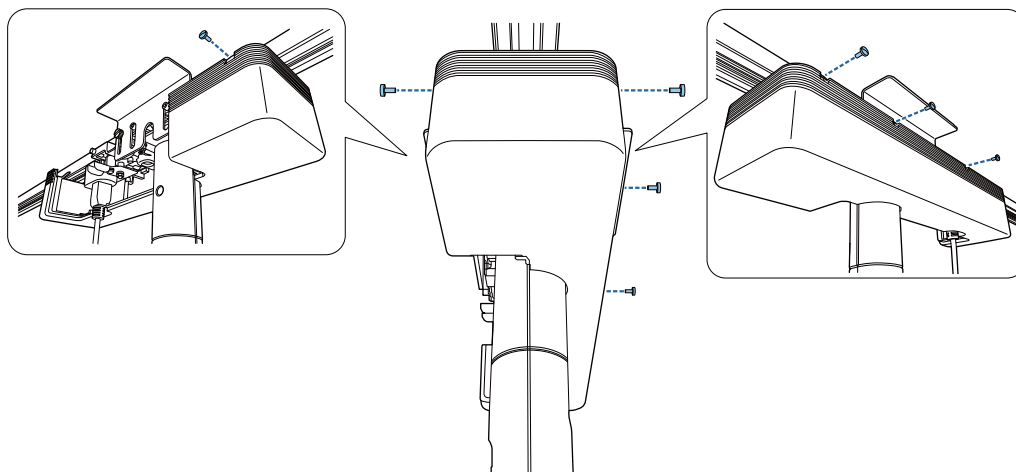
Pode inseri-lo através de qualquer dos seguintes orifícios.



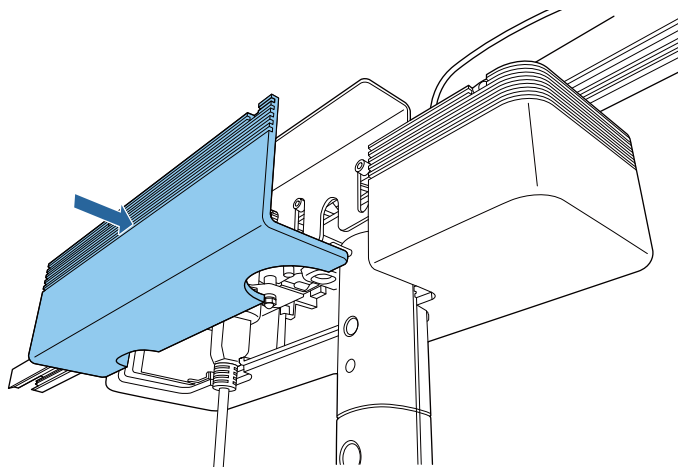
- 3** Fixe a tampa do suporte A na unidade de suporte de calha.  
Alinhe a unidade de braço e o cabo de corrente com as respectivas entradas e deslize a tampa.



- 4** Fixe a tampa do suporte A utilizando os parafusos M3 x 6 mm (x4) fornecidos.

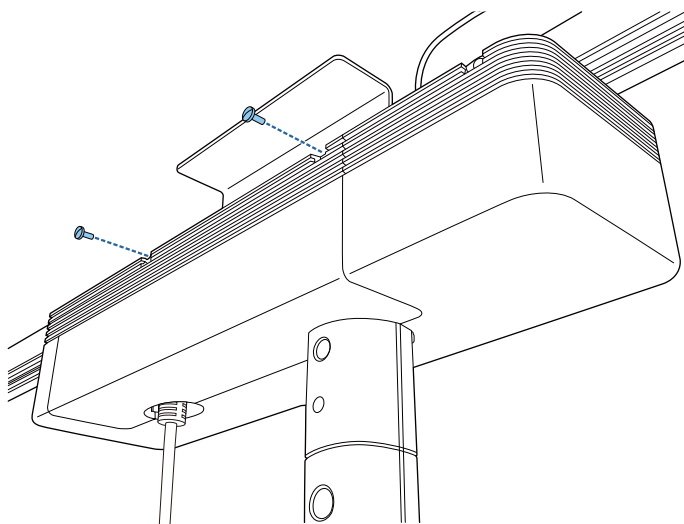


- 5** Fixe a tampa do suporte B.  
Coloque-o sobre a tampa do suporte A e fixe-a temporariamente.



6

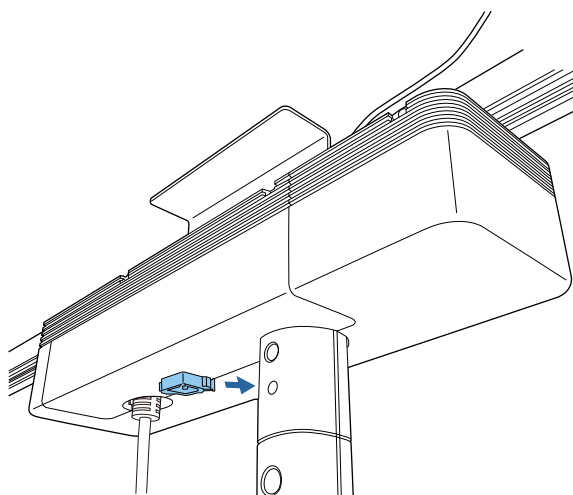
Fixe a tampa do suporte B utilizando os parafusos M3 x 6 mm (x2) fornecidos.



7

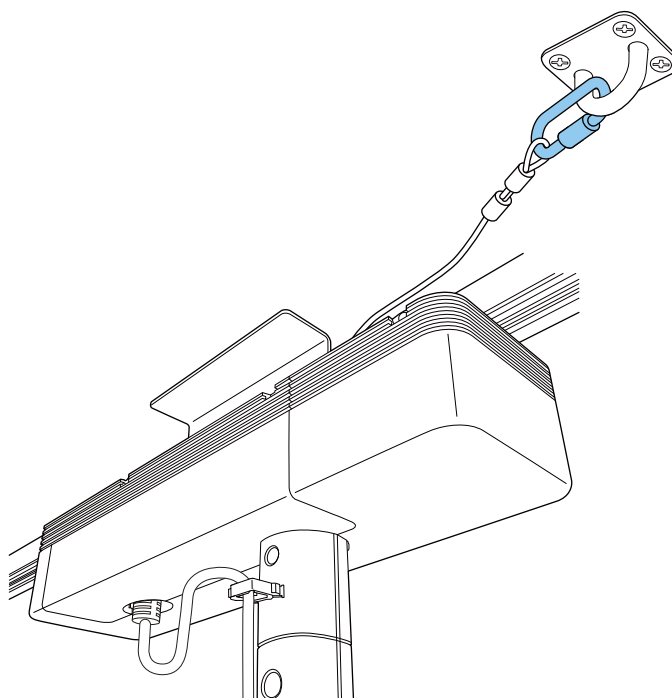
Fixe o grampo para cabos na unidade de braço.

Insira o suporte de argola para o cabo através dos orifícios na unidade de braço e passe o cabo.



8

Instale o suporte de argola para o cabo no teto e prenda o mosquetão para o cabo de segurança.



 **Atenção**

Determine a posição de instalação do suporte de argola para o cabo de forma a que o cabo não se solte.

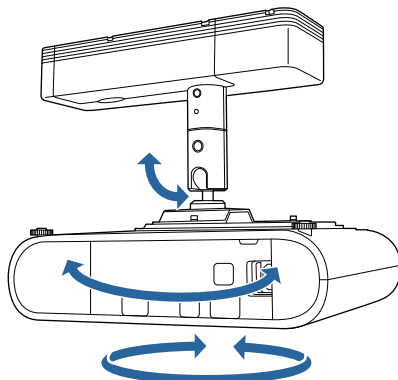


- Ao instalar o suporte de argola para o cabo, utilize parafusos de madeira disponíveis comercialmente com um diâmetro nominal de 3,8 mm.
- Certifique-se de que os parafusos de madeira entram pelo menos 20 mm polegadas no teto.

## Ajustar a orientação do projector

Utilize a articulação esférica no projector para ajustar a orientação e o ângulo do projector.

A variedade de ângulos disponíveis varia consoante o modelo que estiver a utilizar. Para obter mais detalhes, consulte o *Manual do Utilizador* fornecido com o projector.



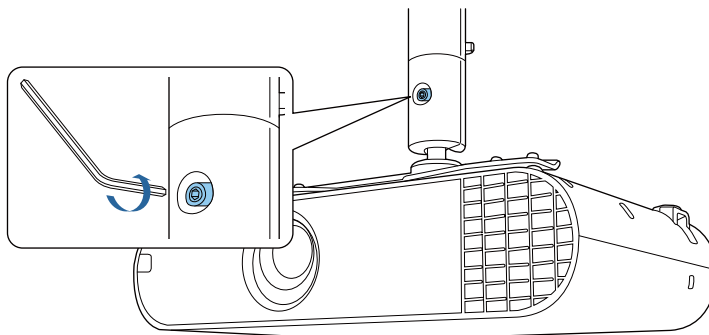
**1** Prima o botão de alimentação no projector ou no controlo remoto.

O projector liga.

 **Atenção**

Antes de ligar o projector, certifique-se de que o suporte está devidamente fixo.

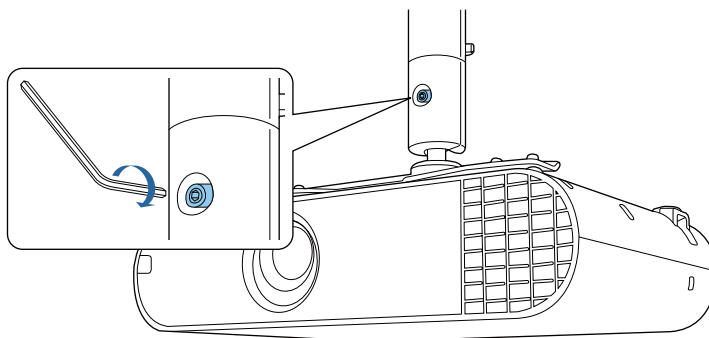
**2** Desaperte o parafuso da articulação esférica da unidade de braço utilizando a chave hexagonal (M6).



**3** Ajuste a orientação do projector.

Certifique-se de que apoia o projector por baixo durante o ajuste da orientação.

- 4** Depois de efetuar os ajustes, aperte corretamente o parafuso da secção da articulação esférica utilizando uma chave hexagonal (M6).



- Depois de fazer os ajustes, certifique-se de que aperta os parafusos da articulação esférica devidamente. Se não forem devidamente apertados, o ângulo do projetor mudará, alterando a posição da imagem projetada.
- Depois de ajustar a orientação do projetor, ajuste o tamanho e a focagem da imagem projetada. Para obter mais detalhes, consulte o *Manual do Utilizador* fornecido com o projetor.



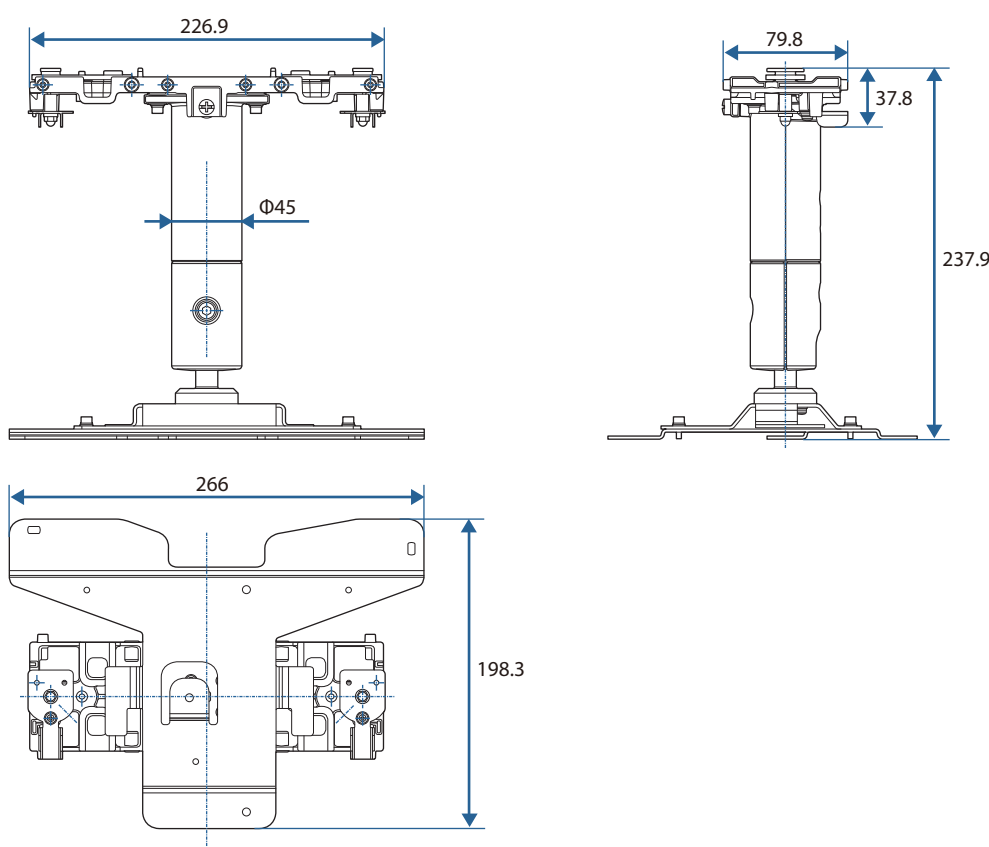
# Especificação

Item	Especificação
Massa (placa do projetor, unidade de braço, unidade do suporte de calha, suporte, tampa do suporte A/B)	Aprox. 2,5 kg
Capacidade de carga máxima	Aprox. 10,0 kg

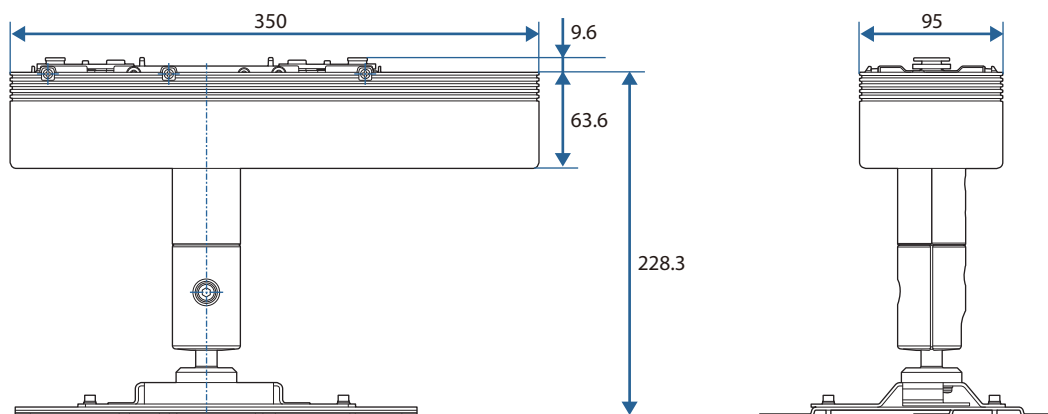
## Aspecto

[Unidade: mm]

Sem a tampa do suporte



Com a tampa do suporte colocada



©SEIKO EPSON CORPORATION 2019. All rights reserved.

## Atención usuarios en la provincia de Buenos Aires, Argentina



La etiqueta de un contenedor tachado que hallará en su producto indica que este producto no se puede tirar con la basura doméstica normal. Para impedir posibles daños medioambientales o para la salud, separe este producto de otros canales de desecho para garantizar que se recicle de una forma segura para el medio ambiente. Para más información sobre las instalaciones de recolección disponibles, diríjase a las autoridades locales o al punto de venta donde adquirió este producto.

Esta información solo aplica a los usuarios de la provincia de Buenos Aires, Argentina, en concordancia con la Ley Nro. 14321 de la provincia de Buenos Aires sobre gestión de Residuos de Aparatos Eléctricos y Electrónicos (RAEE).

Para otros países y otras localidades, por favor contáctese con su gobierno local para investigar la posibilidad de reciclar su producto.

### ***For users outside the Province of Buenos Aires, Argentina:***

This information only applies to customers in the Province of Buenos Aires, Argentina, according to Law No.14321 in the Province of Buenos Aires (excluding the City of Buenos Aires) on waste electrical and electronic equipment (WEEE).

For other countries and other locations, please contact your local government to investigate the possibility of recycling your product.

### ***Pour les utilisateurs à l'extérieur de la province de Buenos Aires, Argentine :***

Cette information s'applique seulement aux utilisateurs de la province de Buenos Aires, Argentine, selon la loi N° 14321 de la province de Buenos Aires (excluant la ville de Buenos Aires) concernant les déchets d'équipements électriques ou électroniques (DEEE).

Pour les autres pays et autres emplacements, veuillez communiquer avec votre gouvernement local afin d'investiguer la possibilité de recycler votre produit.

### ***Para usuários fora da Província de Buenos Aires, Argentina:***

Esta informação só se aplica a usuários na Província de Buenos Aires, Argentina, de acordo com a lei N° 14321 da Província de Buenos Aires (excluindo a cidade de Buenos Aires) sobre lixo de equipamento elétrico e eletrônico (WEEE).

Para outros países e outras localidades, entre em contato com o seu governo local para investigar a possibilidade de recicagem do seu produto.