

ELPLX01WS Ultra Short-Throw Lens for Epson[®] Pro Series Projectors



Projectors

Optional Lens

The flexible ultra short-throw lens for Epson interchangeable lens projectors¹ up to 8,500 lumens².

Project large images at a short distance — lens makes it easy to display larger-than-life images while minimizing shadows and light path obstructions

Flexible installation — .35 throw ratio, wide lens shift and zero offset for enhanced convenience

Perfect for space-constrained environments — ideal for narrow spaces and rear-projection applications; unique zero offset design maximizes display size in areas with low ceilings

Engineered for versatility — bring bright, bold projection to locations where you previously could not utilize a projector

Mount point for optional ELPEC01 external camera — access powerful tools such as auto color calibration³, screen matching of multiple projectors⁴, tiling assist⁵ for edge blends, and a stacking assist⁶ function

Compatible with Epson Pro Series¹ projectors — works with Epson interchangeable lens projectors up to 8,500 lumens²

Large screen size — project 100" to 300"; F-number: 1.9; Focal Length: 5.8mm

WUXGA/WXGA throw ratio — .35 Lens Shift: Vertical: +50% to +67% (H Center) Horizontal: -10% to +10% (Vertical +50%)

Designed for stealth installations — pair with a white projector or mount in the ceiling with just the lens protruding for a stealth installation

XGA throw ratio — .36 Lens Shift: Vertical: +50% to +57% (H Center) Horizontal: -8% to +8% (Vertical +50%)

Specifications

Type Powered: focus/distortion
F-Number 1.9
Focal Length 0.23" (5.8 mm)
Connector 24-Pin
Screen Size (Projected Distance)
 100" to 1000"
Throw ratio 0.35
Lens Shift Range
 Vertical: +50% to +67% (H Center) (Powered)
 Horizontal: -10% to +10% (Vertical+50%) (Powered)
Operating Temperature 32° to 113 °F (0° to 45 °C)

Dimensions (W x D x H)

Ultra-short throw lens 8.74" x 12.64" x 6.46"
Weight 7.7 lb

Eco Features

RoHS compliant
 Epson America, Inc. is a SmartWay[®] Transport Partner⁷
 Recyclable product⁸

Support

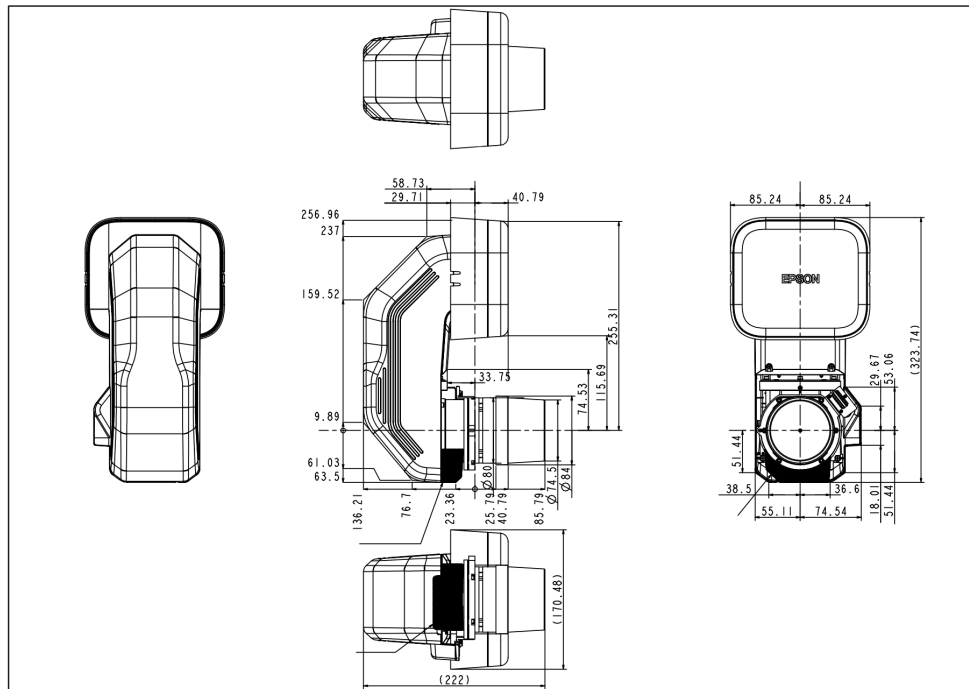
Epson ConnectionSM
 Pre-sales support: U.S. and Canada (800) 463-7766
 Internet website: www.epson.com

What's in the Box

ELPLX01S ultra-short throw lens

Ordering Information

ELPLX01WS V12H004Y0A



1 Fits Epson Pro L Series, Pro G 7000 and EB-P Series projectors up to 8,500 lumens. | 2 Color brightness (color light output) and white brightness (white light output) will vary depending on usage conditions. Color light output measured in accordance with IDMS 15.4; white light output measured in accordance with ISO 21118. | 3 Requires Epson external camera. | 4 Requires an Epson external camera for each projector. | 5 Requires Epson external camera for each projector and the Epson Projector Professional Tool app | 6 Requires Epson external camera for each projector and may, depending on your projector, require Epson Projector Professional Tool app. | 7 For convenient and reasonable recycling options, visit www.epson.com/recycle | 8 SmartWay is an innovative partnership of the U.S. Environmental Protection Agency that reduces greenhouse gases and other air pollutants and improves fuel efficiency.

See the latest innovations from Epson Business Solutions at www.epson.com/forbusiness

Better Products for a Better Future[™]
eco.epson.com



Epson America, Inc.
 3131 Katella Ave., Los Alamitos, CA 90720

Epson Canada Limited
 185 Renfrew Drive, Markham, Ontario L3R 6G3

www.epson.com
www.epson.ca

EPSON is a registered trademark, EPSON Exceed Your Vision is a registered logomark and Better Products for a Better Future is a trademark of Seiko Epson Corporation. Epson Connection is a service mark of Epson America, Inc. All other product and brand names are trademarks and/or registered trademarks of their respective companies. Epson disclaims any and all rights in these marks. Copyright 2021 Epson America, Inc. CPD- 61037 4/21

Contact:

