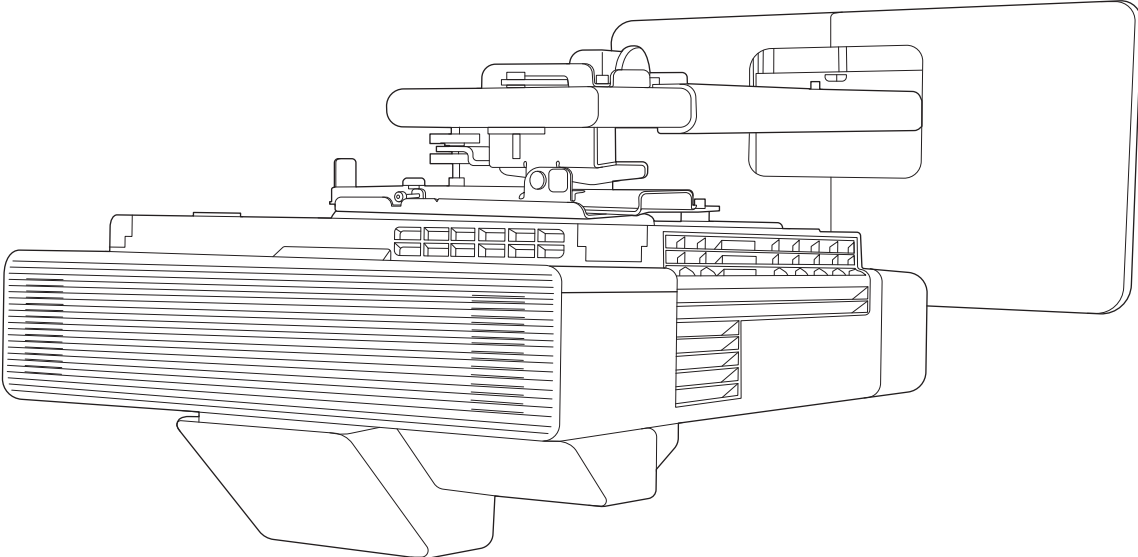


EPSON®

Installation Guide



About This Installation Guide

This guide describes how to mount the ultra-short-throw projectors listed below to a wall using the Epson® ELPMB62 wall mount.

The following projectors are covered by this guide:

- BrightLink® 1480Fi/1480Fi+
- BrightLink® 1485Fi/1485Fi+
- BrightLink® EB-725Wi/EB-735Fi
- BrightLink® EB-760Wi/EB-770Fi
- PowerLite® EB-720/EB-725W
- PowerLite® EB-750F/EB-755F
- PowerLite® EB-760W
- PowerLite® EB-770F/EB-775F
- PowerLite® EB-800F/EB-805F

The BrightLink 1480Fi/1480Fi+/1485Fi/1485Fi+ is shown in most illustrations in this guide, but the steps are the same for all models unless otherwise noted.






Safety Instructions

For your safety, read all the instructions in this guide before using the wall mount. Incorrect handling that ignores instructions in this guide could damage the wall mount or could result in personal injury or property damage. Keep this installation guide on hand for future reference.



Read the safety instructions in the online *User's Guide* for your projector and follow the instructions in this document.


















Explanation of Symbols

The warning marks shown below are used throughout this installation guide to prevent personal injury or property damage. Make sure you understand these warnings when reading this installation guide.










 Warning	This symbol indicates information that, if ignored, could possibly result in personal injury or even death due to incorrect handling.
 Caution	This symbol indicates information that, if ignored, could possibly result in personal injury or physical damage due to incorrect handling.
	This symbol indicates related or useful information.
	Symbol indicating an action that must not be done
	Symbol indicating an action that should be done

Safety Precautions for Installation





 Warning	
The wall mount is designed specifically for mounting a projector to a wall. If anything other than a projector is mounted, the weight may result in damage. If the wall mount falls, it could cause personal injury or property damage.	

 Warning	
The installation work (wall mounting) should be performed by specialists who have technical knowledge and ability. Incomplete or incorrect installation could cause the wall mount to fall and cause personal injury or property damage.	
Follow the steps in this guide to install the wall mount, and be sure to use the bolts and screws specified in this guide If the instructions are not followed, this product may fall, resulting in personal injury or an accident.	
Handle the power cord carefully. Incorrect handling may cause fire or electric shock. Observe the following precautions when handling: • Do not handle the power plug with wet hands. • Do not use a power cord that is damaged or modified. • Do not pull the power cord with too much force when routing the cable through the wall mount.	
Do not install the wall mount in a place where it might be subjected to vibration or shock. Vibration or shock could cause damage to the projector or mounting surface. It could also cause the wall mount or projector to fall and cause personal injury or property damage.	
The installation work should be performed by at least two qualified service personnel. If you need to loosen any screws during installation, be careful not to drop the wall mount. If the wall mount or projector falls, it could cause personal injury or property damage.	
Make sure you use the included safety wire kit when mounting your projector.	
Install the wall mount so that it can sufficiently support the weight of the projector and wall mount, and resist any horizontal vibration. Use M10 or 3/8 inch nuts and bolts and make sure to use appropriate wall anchors for your wall type. Nuts and bolts smaller than M10 or 3/8 inch could cause the wall mount to fall. Epson accepts no responsibility for any damage or injury caused by lack of wall strength or inadequate installation.	
When you mount the projector on the wall with the wall mount, the wall must be strong enough to hold the projector and the wall mount. The maximum combined weight of the projector and wall mount is approximately 41.7 lb (18.9 kg). If the wall is not strong enough, reinforce the wall before installation.	
The installation work should be performed by at least two qualified service personnel. If you need to loosen any screws during installation, be careful not to drop this product. If this product falls, it could cause damage or injury.	
Inspect the wall mount on a regular basis to ensure there are no broken parts or loose screws. If there are any broken parts, stop using the wall mount immediately. If the wall mount or projector falls, it could cause personal injury or property damage.	
Never modify the wall mount.	
Do not hang on the wall mount or hang a heavy object on the wall mount. If the projector or wall mount falls, it could cause personal injury or property damage.	
Do not use adhesives, lubricants, or oils to install or adjust the wall mount. If you use adhesives to prevent the screws from loosening or things such as lubricants or oils on the part of the projector attached to the slide plate, the case may crack and cause the projector to fall, resulting in personal injury or property damage.	
Tighten all screws firmly after adjustment. Otherwise, the projector or wall mount may fall and cause personal injury or property damage.	
Never loosen the bolts and nuts after installation. Confirm that the screws have not become loose on a regular basis. If you find any loose screws, tighten them firmly. Otherwise, the projector or wall mount may fall and cause personal injury or property damage.	
When performing wiring, make sure the cable does not come into contact with any screws or bolts. Handling the cable incorrectly may cause fire or electric shock.	

Warning

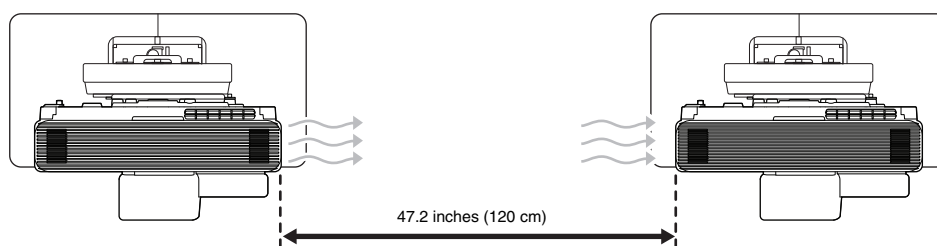
Do not install in a location subject to oily smoke or smoke for events. If oils stick to the slide plate fixing part of the projector, the case may crack and cause the projector to fall, resulting in personal injury or property damage.	
Follow the instructions in this guide to install and operate the touch unit. If the touch unit is not installed and operated properly, the light emitted from the laser could cause injury to eyesight.	
Never modify the control pad or touch unit.	
When performing wiring, make sure the cable does not come into contact with any screws or bolts. Handling the cable incorrectly may cause fire or electric shock.	
Do not apply optical devices such as a magnifying glass or telescope to the laser light diffused from the touch unit. If such optical devices are applied, it could cause personal injury or fire.	
Do not look into the touch unit's laser diffusion ports. This could cause injury to eyesight. Extra care should be taken when children are present.	
Do not view the laser light using optical devices such as a magnifying glass within a range of 2.75 inches (70 mm). Viewing at close range could cause injury to eyesight.	
Connect the touch unit to BrightLink 1480Fi/1480Fi+/1485Fi/1485Fi+/EB-725Wi/EB-735Fi/EB-760Wi/EB-770Fi models only. Do not connect it to any other projectors or devices.	
Do not use the touch unit if you are using or are near medical equipment such as a pacemaker. The magnet within the touch unit generates electromagnetic interference which could cause medical equipment to malfunction.	

Caution

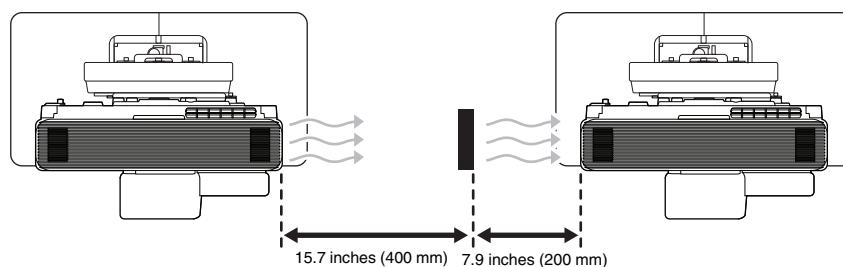
Do not install the wall mount in a location where the operating temperature for your projector model may be exceeded. Such an environment may damage the projector.	
Install the wall mount in a place free from excessive dust and humidity to prevent the lens or optical components from becoming dirty.	
Do not use excessive force when adjusting the wall mount. The wall mount may break, resulting in personal injury.	
Keep magnetic storage media (for example, magnetic cards or electronic devices such as computers, digital watches, or cell phones) away from the touch unit. The magnet within the touch unit generates electromagnetic interference which could corrupt data or cause the media or device to malfunction.	

Installation Location

- Before installing the projector, verify the power supply wiring for the installation location.
- If you want to hide the projector power plug under the wall plate cover, make sure the power outlet is located in the empty space to the left or right of the wall plate.
- Install the projector away from other electric devices such as fluorescent lights or air conditioners. Some kinds of fluorescent lights could interfere with the remote control of the projector.
- Install the projector away from direct sunlight and other bright light sources.
- Make sure there is at least 20 inches (50 cm) of space between the wall and the projector's air exhaust and intake vents on the left and right.
- It is recommended to keep VGA computer cable length less than 65 feet (20 meters) to reduce external noise.
- Install the projector at an angle of no more than 3° horizontally or vertically in relation to the projection surface.
- Install the projector in a location where the projected image is within reach.
- When installing two or more projectors, check the following:
 - Make sure the temperature of the surrounding environment is less than 95°F (35°C). If the environment is too hot, the projectors may overheat and the power may turn off without warning.
 - Make sure you leave a gap of at least 47.2 inches (120 cm) between the projectors.

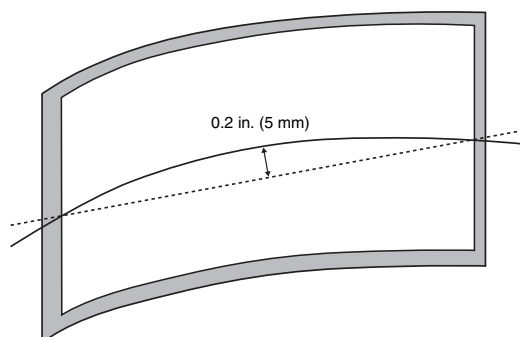


If the projectors are installed closer than 47.2 inches (120 cm) apart, install a partition to block the heat from the projector's exhaust vent. The partitions should be larger than the exhaust vent and installed approximately 15.7 inches (400 mm) from the exhaust vent and 7.9 inches (200 mm) from the intake vents.

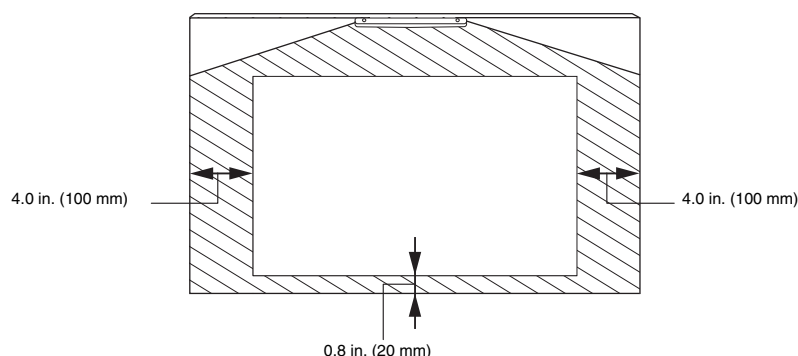


For detailed information on setting up two or more projectors, see the online *Edge Blending Setup Guide* for your product.

- Before installing the touch unit (included with the BrightLink 1485Fi/1485Fi+; available as an optional accessory for the BrightLink 1480Fi/1480Fi+/EB-725Wi/EB-735Fi/EB-760Wi/EB-770Fi), verify that the installation location meets the following conditions:
 - The touch unit can be secured to the surface with magnets or screws, or the optional touch unit bracket.
 - The surface is flat, smooth, and unwarped with no more than 0.2 inch (5 mm) of unevenness in any direction on the screen surface.



- When installing the touch unit (included with the BrightLink 1485Fi/1485Fi+; available as an optional accessory for the BrightLink 1480Fi/1480Fi+/EB-725Wi/EB-735Fi/EB-760Wi/EB-770Fi) within the frame of the whiteboard, secure the touch unit with magnets or screws. Make sure there are no obstacles, such as cables, or protruding objects such as whiteboard trays, pen holders, or thick frames in the shaded areas in the following figure. The touch unit will not operate correctly if anything is obstructing the infrared signal. If there is an obstacle that cannot be removed, you can use the supplied infrared deflectors to prevent laser detection issues.



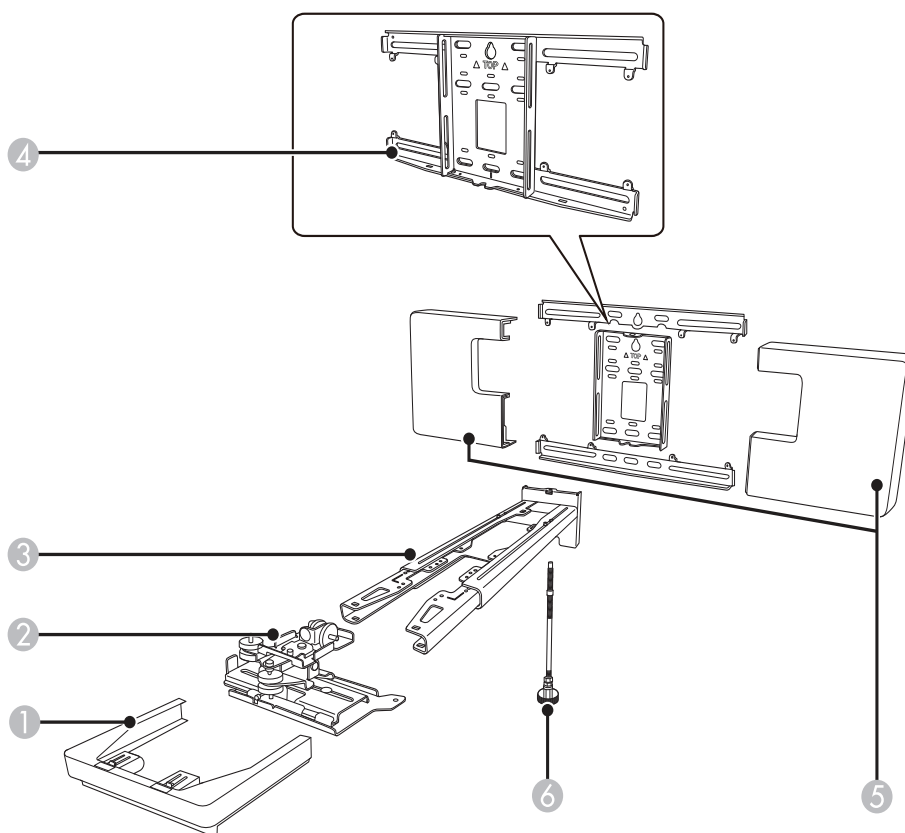
- When installing the touch unit (included with the BrightLink 1485Fi/1485Fi+; available as an optional accessory for the BrightLink 1480Fi/1480Fi+/EB-725Wi/EB-735Fi/EB-760Wi/EB-770Fi) above the frame of a whiteboard, use the optional touch unit bracket.
 - If the distance from the wall to the surface of the whiteboard is greater than 2 inches (51 mm), you must install the touch unit on the whiteboard.
 - If the frame of the whiteboard extends more than 0.1 inch (3 mm) away from the board surface, you must install the touch unit on the whiteboard or screen.

1	Package Contents	9
2	Specifications	13
3	Connecting Devices	19
4	Positioning the Projector	21
	Installation worksheet for projecting on a pre-installed wall-mounted board	23
	Installation worksheet for projecting on a plain wall	25
	Projection distance worksheets	26
	Diagonal image size and mounting position	27
	Distance from top of projected image to wall plate	28
	Installation measurement tables	28
5	Installing the Projector	52
	Assemble the parts	52
	Install the wall plate on the wall	54
	Determine the projection distance and pull out the mount arm slider	57
	Route the cables through the wall mount arm	58
	Attach the mount arm to the wall plate	58
	Adjust the vertical slide position of the arm	60
	Attach the projector to the wall mount	61
	Connect the power cord and other cables to the projector	62
6	Adjusting the Image	65
	Turn on the projector	65
	Select the screen type	66
	Adjust the focus	66
	Display the test pattern	68
	Use adjustment dial 1 on the left side to adjust the horizontal roll	69
	Use adjustment dial 2 on the top to adjust the horizontal rotation	69
	Use adjustment dial 3 on the front to adjust the vertical tilt	70
	Adjust the horizontal slide	70
	Adjust the forward/backward slide	71
	Adjust the vertical slide	71
	Re-adjust the focus	72
	Turn off the display of the test pattern	72

7	Attaching the Covers	73
	Attach the wall plate cover and end cap	73
	Attach the cable cover to the projector (BrightLink 1480Fi+/1480Fi+/1485Fi/ 1485Fi+ and PowerLite EB-800F/EB-805F only)	74
8	Installing the Touch Unit	76
	Installing the touch unit on a whiteboard	77
	Install infrared deflectors along any obstacles	77
	Display the installation pattern	78
	Determine the installation position for the touch unit	79
	Install the touch unit	81
	Turn on the touch unit	83
	Adjust the angle	85
	Installing the touch unit above a whiteboard	89
	Install infrared deflectors along any obstacles	89
	Turn on the projector	90
	Display the installation pattern	90
	Determine the installation position for the bracket	91
	Drill holes for the bracket	92
	Install the bracket	92
	Turn on the touch unit	94
	Adjust the angle	96
	Manually adjusting the angle of the laser	101
9	Installing the HDBaseT Control Pad and Pen Stand	106
	Check the installation location	106
	Installing the HDBaseT Control Pad	106
	Remove the front cover	106
	Connect the power cable	107
	Attach the control pad	107
	Secure the AC adapter	108
	Connect the projector cables to the control pad	108
	Attach the front cover	109
	Installing the pen stand	109
10	Appendix	111
	Using the Easy Interactive Function	111
	Using Auto Screen Adjustment	111
	Making Additional Screen Adjustments	114
	Attaching a Security Cable	119





1 Package Contents

Wall Mount



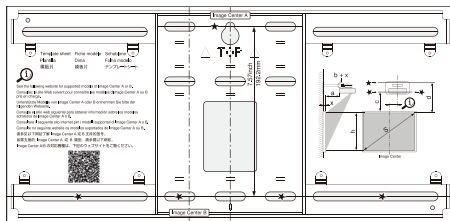
#	Part name
1	End cap
2	3-axis adjustment unit and slide plate (attached when shipped)
3	Wall mount
4	Wall plate
5	Wall plate cover
6	Hexagonal shaft

Hardware

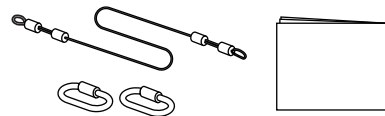
Shape	Name	Quantity	Application
	M4 × 12 mm hexagon socket head cap bolt with washer/spring washer	5	For wall plate assembly
		4	For 3-axis adjustment unit/wall mount installation
		4	For slide plate/projector installation
	M6 × 20 mm hexagon shoulder head bolt with washer/spring washer	1	For wall mount/wall plate installation
	M6 × 20 mm cross recessed head shoulder screw with plastic washer	3	
	M3 × 6 mm cross recessed head shoulder screws	4	For Mini PC plate installation

- Use the bolts or screws supplied with the wall mount to install it as directed in this guide. Do not substitute these bolts with any other types.
- You need to use commercially available M10 × 60 mm or 3/8 inch anchors (at least 4) and one M10 screw to attach the wall plate to the wall.
- Gather the tools and parts you need before you begin installation, including a #3 cross-head screwdriver.

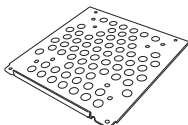
Accessories



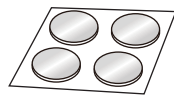
**Template sheet
(for installing the wall plate)**



Safety wire installation kit (for securing the projector)



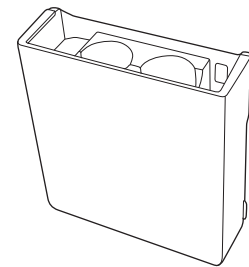
Mini PC plate



Corner markers*



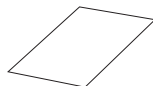
Magnets for corner markers*



Pen stand and cover*



Mini PC band



Masking sticker



**Open-ended wrench
13 mm (for M8 and M6) × 6 mm
(for hexagonal shaft)**

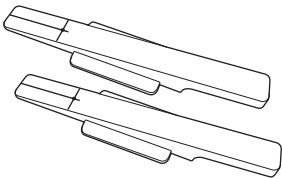


Hexagon wrench (for M4)

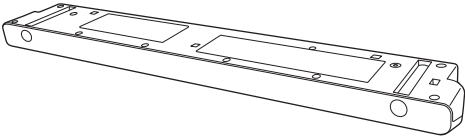
**Included with the BrightLink 1480Fi/1480Fi+/1485Fi/1485Fi+/EB-725Wi/EB-735Fi/EB-760Wi/EB-770Fi projectors.*

Touch unit (included with BrightLink 1485Fi/1485Fi+)

The following parts are packaged with the BrightLink 1485Fi/1485Fi+ (available as an optional accessory for the BrightLink 1480Fi/1480Fi+/EB-725Wi/EB-735Fi/EB-760Wi/EB-770Fi) and are necessary when attaching the touch unit. When installing the touch unit on a non-magnetic screen or whiteboard, you will also need three M4 screws.



Marker (x2)



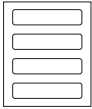
Touch unit



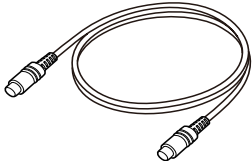
Spacer for screw holes (x3)



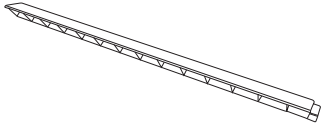
Tape (approx. 2.4 inches [6 cm]) for securing the markers (x12)



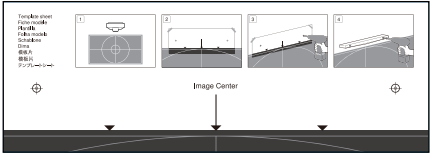
Label (x4)



Touch unit connection cable



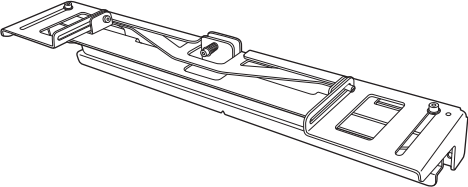
Infrared deflector (approx. 11.2 inches [28.5 cm]) (x12)



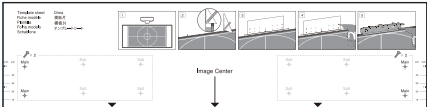
Touch unit template sheet

Optional touch unit bracket

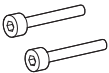
The following parts are packaged with the optional touch unit bracket (available as an optional accessory for BrightLink models listed in this guide) and are necessary when attaching the touch unit above the frame of a whiteboard. When installing the bracket, you will also need four (4) M4 wood screws or M4 anchor bolts (not included).



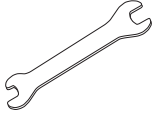
Touch unit bracket



Bracket template sheet



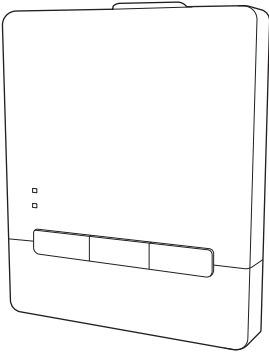
M4 x 25 mm hexagon socket head cap bolt (x2)



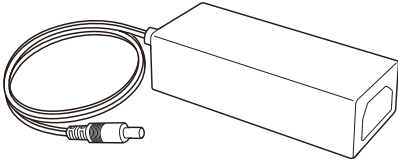
Hexagon wrench (for M4 bolts)

Control pad (included with BrightLink 1485Fi/1485Fi+)

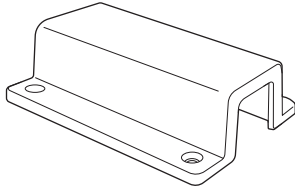
The following parts are packaged with your projector (BrightLink 1485Fi/1485Fi+ only; available as an optional accessory for the PowerLite EB-800F/EB-805F) and are necessary when attaching the control pad. When installing the control pad on a wall, you will also need four commercially available M4 x 20 mm screws.



Control pad



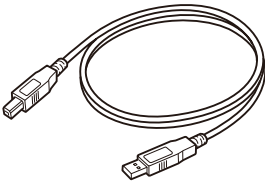
AC adapter



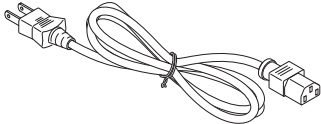
AC adapter holder



Spacer for screw holes (x3)






USB cable

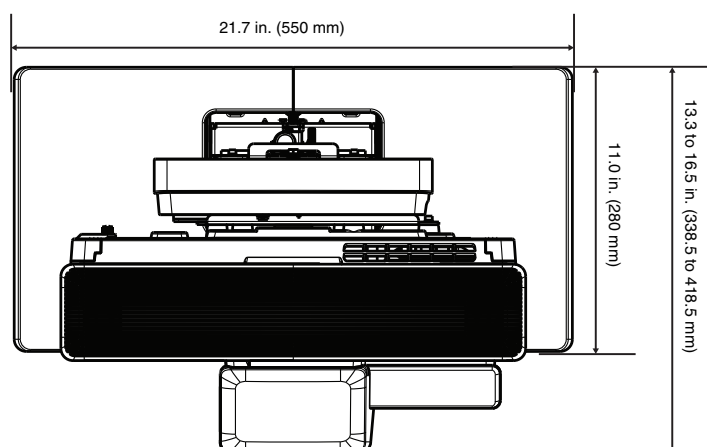


Power cable

2 Specifications

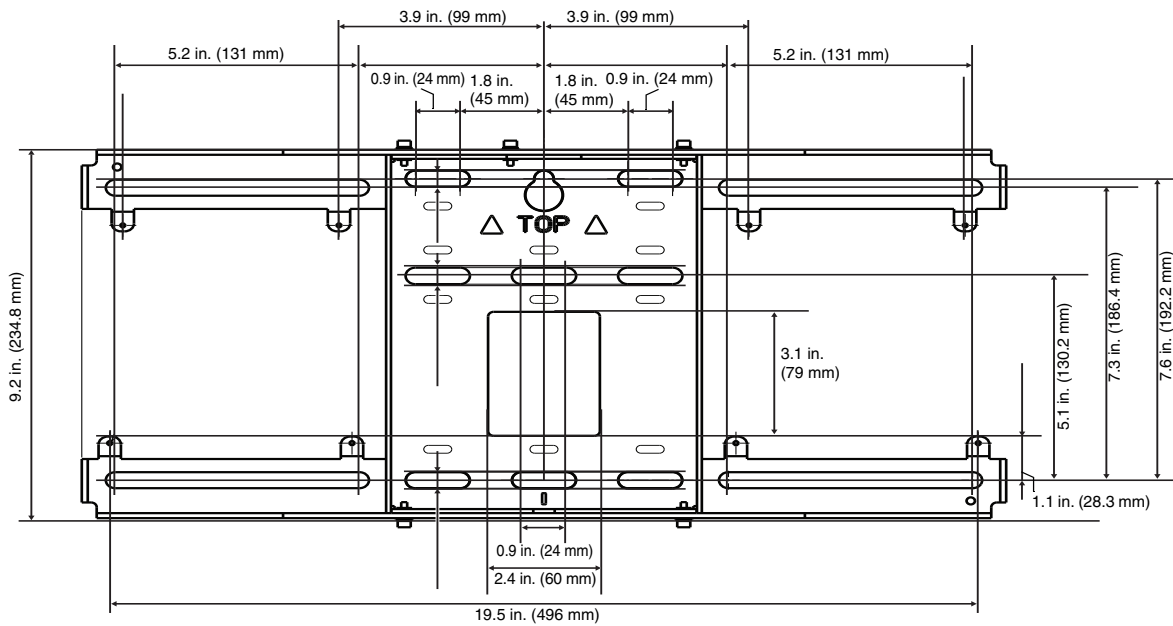
Item	Specification	Additional information	Reference page
Wall mount weight (including the 3-axis adjustment unit, slide plate, wall plate, wall plate cover, and end cap)	Approx. 20.3 lb (9.2 kg)	—	—
Maximum load capacity	33.1 lb (15.0 kg)	—	—
Vertical slide adjustment range	±1.6 in. (40 mm)	—	Refer to the illustration on page 14
Horizontal slide adjustment range	±1.8 in. (45 mm)	—	Refer to the illustration on page 14
Forward/backward slide adjustment range	0 to 15.1 in. (0 to 383 mm)	Determine adjustment unit installation position based on screen size	Refer to the illustration on page 15
Horizontal roll adjustment range	±3°	Fine adjustments possible with adjustment dial	 p. 69
Horizontal rotation adjustment range	±8°	Fine adjustments possible with adjustment knob	 p. 69
Vertical tilt adjustment range	±3°	Fine adjustments possible with adjustment dial	 p. 70

Wall plate cover

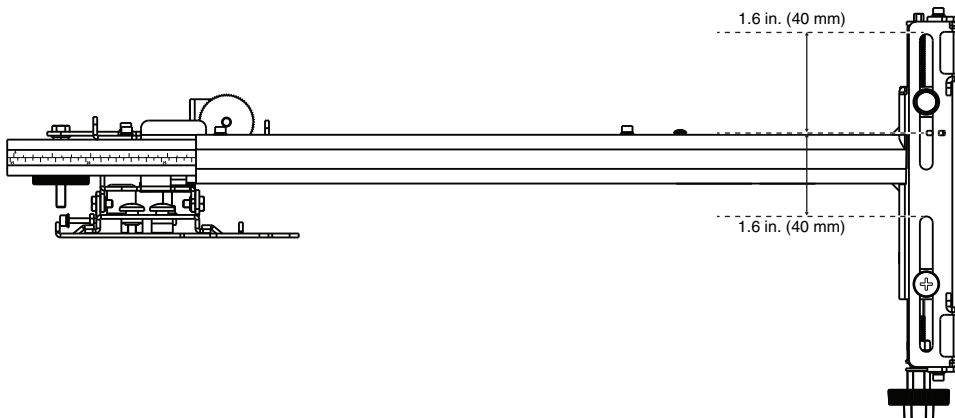


Wall plate

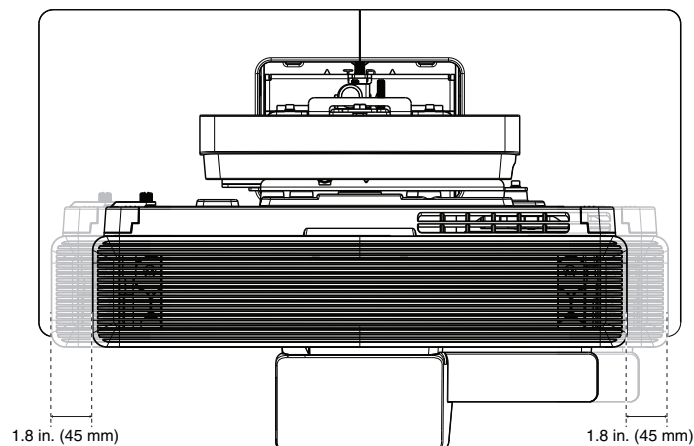
The wall plate is in three pieces when shipped. Use the included M4 × 12 mm bolts (×5) to attach the separate pieces together before mounting the projector. See page 52 for instructions.



Vertical slide adjustment range

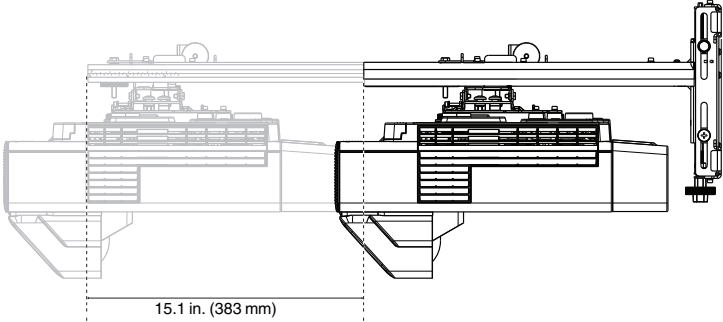


Horizontal slide adjustment range



Forward/backward slide adjustment range

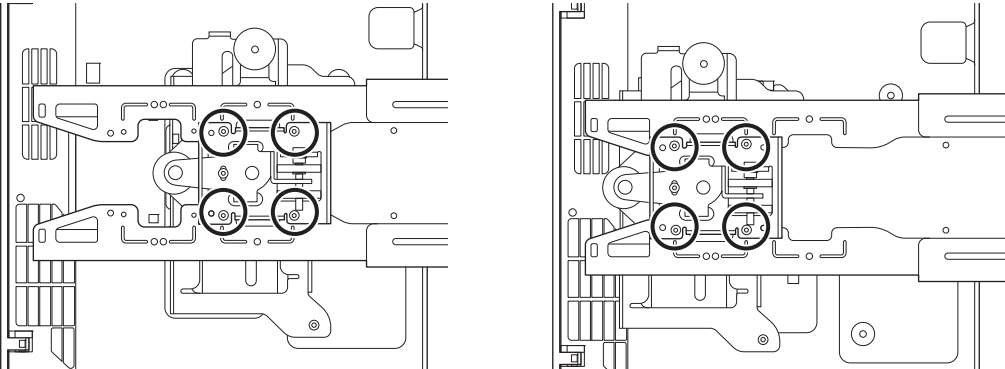
Arm slide adjustment range



Adjustment from 3-axis adjustment unit installation position

By changing the installation position of the 3-axis adjustment unit to the front or back, you can adjust the installation position of the projector.

- **BrightLink 1480Fi/1480Fi+/1485Fi/1485Fi+ and PowerLite EB-800F/EB-805F:** Mount it at the ○ stamp when the image is less than 80 inches diagonally, or at the ○ ○ stamp when the projected image is 80 inches or more diagonally.
- **BrightLink EB-725Wi/EB-735Fi/EB-760Wi/EB-770Fi and PowerLite EB-720/EB-725W/EB-750F/EB-755F/EB-760W/EB-770F/EB-775F:** Mount it at the ○ stamp when the image is less than 90 inches diagonally, or at the ○ ○ stamp when the projected image is 90 inches or more diagonally.

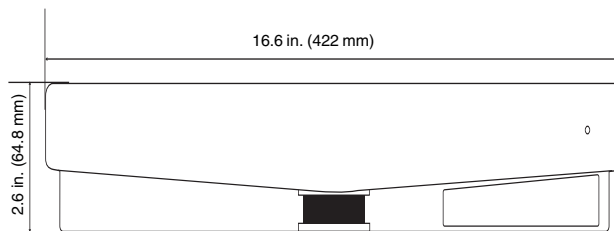


To see these stamps, you need to remove the two top bolts and slide out the arm extension.

Touch unit (included with BrightLink 1485Fi/1485Fi+)

External dimensions and weight

The touch unit weighs approximately 21.2 ounces (600 g).



Attached labels

The touch unit is a Class 1 laser product that conforms to the IEC/EN60825-1:2014 standard. There are warning labels affixed to the touch unit to indicate that it is a Class 1 laser product. The labels contain the following information:

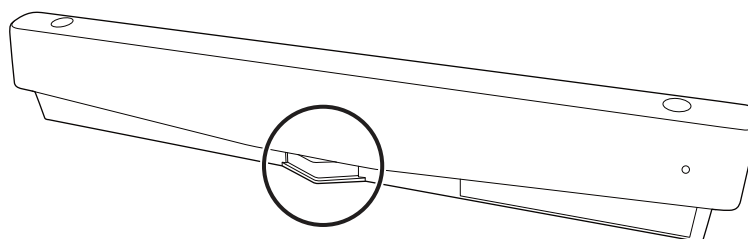
- Class 1 laser product
- Warning: Never open any covers on this unit. Laser product inside.
- Warning:
 - Caution: Class 3B invisible laser radiation when open.
 - Avoid exposure to the beam.



Laser diffusion port

The laser beam is diffused from the laser diffusion ports on the bottom of the touch unit.

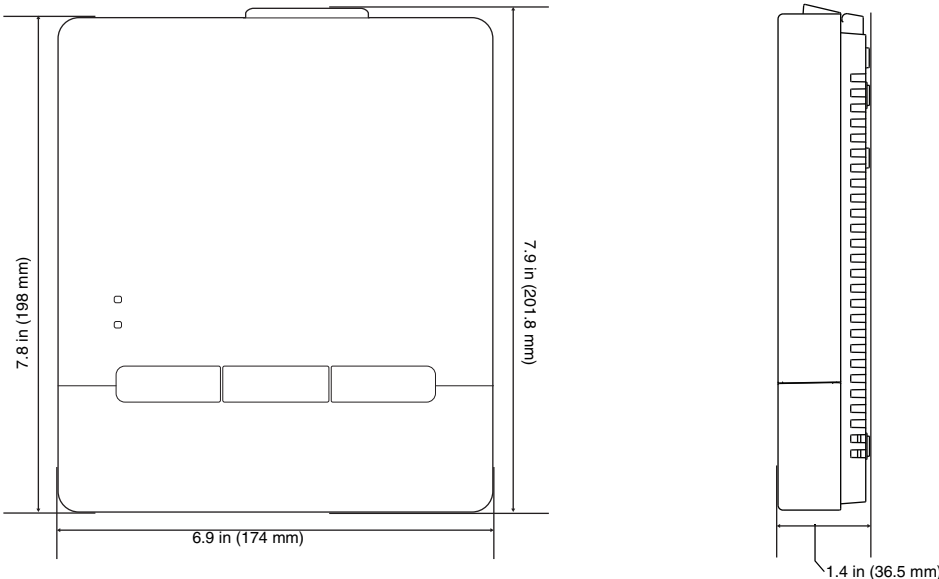
- Light source output: Max. 285 W
- Wavelength: 932 to 952 nm



Control pad (included with BrightLink 1485Fi/1485Fi+)

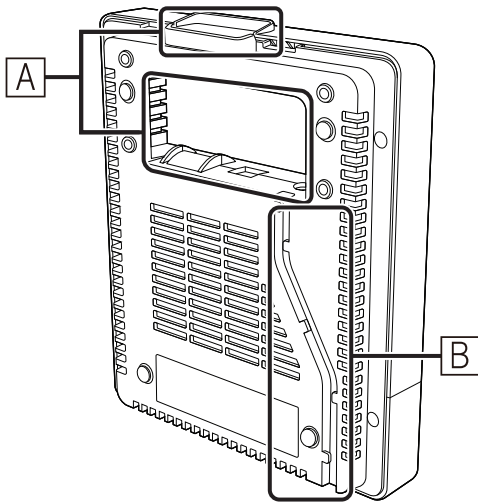
External dimensions and weight

The control pad weighs approximately 22.2 ounces (630 g).



Cable routing holes

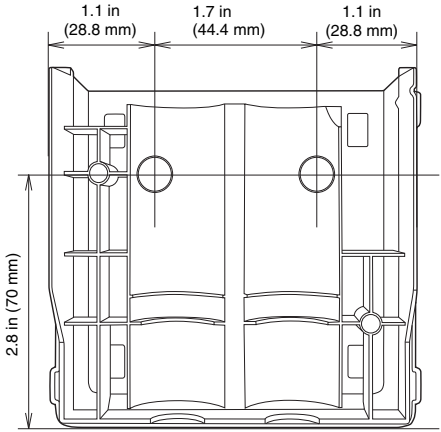
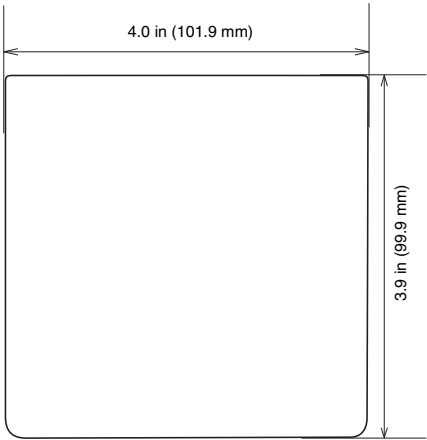
When routing cables, use the positions (A) in the following figure as the cable routing holes. Route the power cable along the groove on the back of the control pad (B).



Pen stand (included with BrightLink 1485Fi/1485Fi+/EB-725Wi/EB-735Fi/EB-760Wi/EB-770Fi)


External dimensions and weight

The pen stand weighs approximately 3.3 ounces (93 g).

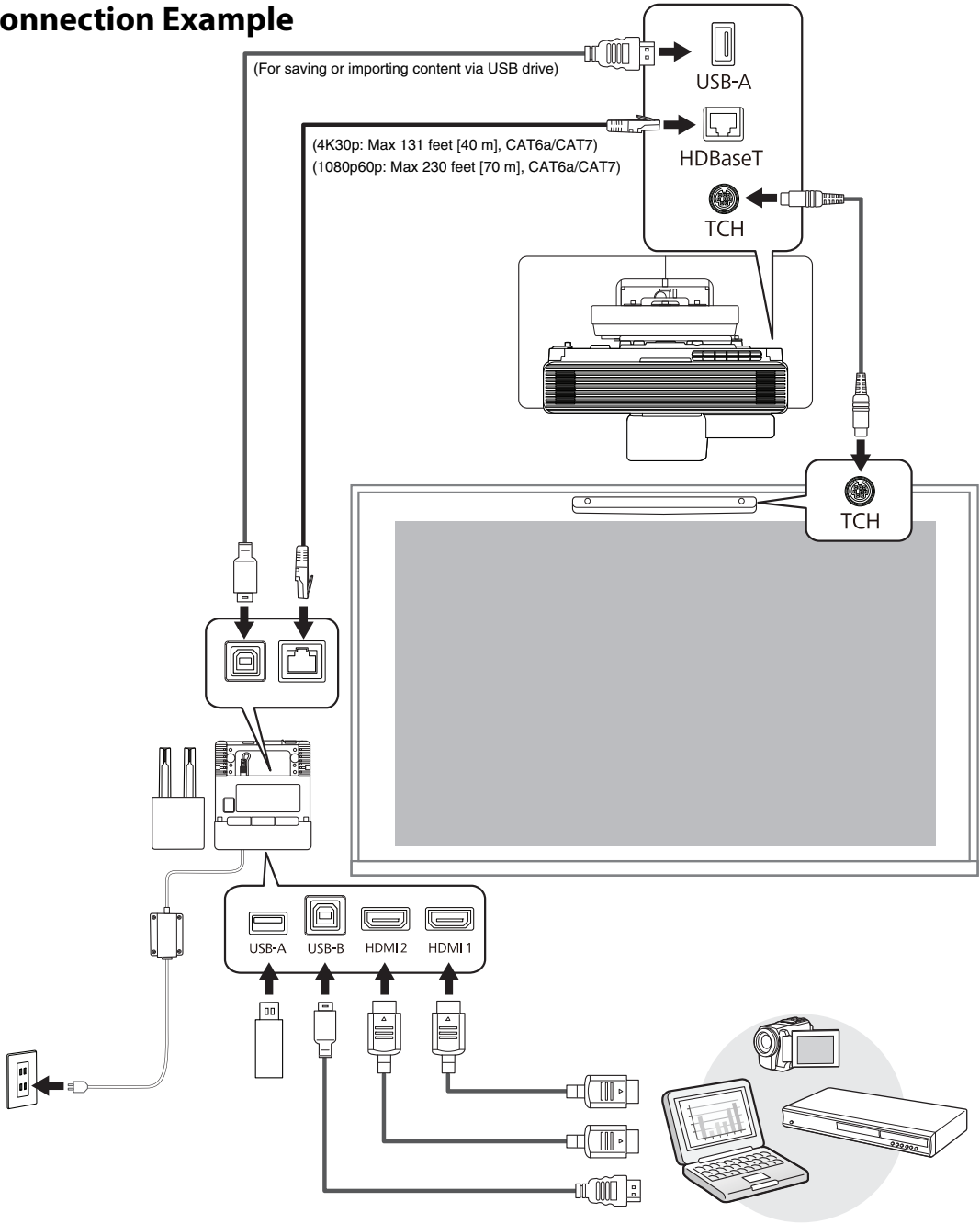


3 Connecting Devices

Make sure you have the power cord, computer cable, and other parts at the location where the wall mount is to be installed. Make sure you also have all necessary cables for the Touch Unit (if applicable) and other devices, such as a document camera or microphone, that you will connect to the projector. Your projector's connection panel may differ slightly from the model in the illustrations. For details, refer to the online *User's Guide* for your projector.

 **The connection example below shows the control pad (included with the BrightLink 1485 Fi/Fi+ only).**

Connection Example



For Interactive Use

When interacting with a computer, you also need a USB cable that runs from the computer to the projector. However, when using the projector's built-in toolbar, you do not need this USB cable.

Connecting the Control Pad

The Control Pad is included with the BrightLink 1485Fi/Fi+. It provides a convenient alternative for turning on and controlling your projector.

You must install the projector before installing the control pad. See page 106 for instructions.

4 Positioning the Projector

Your Epson projector can project images up to the following sizes:



This guide covers select image sizes. For other image sizes, use the Throw Distance Calculator at <http://epson.com/support> (U.S.), <http://epson.ca/support> (Canada), or <http://latin.epson.com/support> (Latin America).

Projector	Maximum projected image size (diagonally)				
	16:10	16:9	4:3	16:6	21:9
BrightLink 1480Fi/1480Fi+	90 inches	100 inches	80 inches	Not supported	120 inches
BrightLink 1485Fi/1485Fi+	90 inches	100 inches	80 inches	120 inches	120 inches
BrightLink EB-725Wi/EB-760Wi	100 inches	100 inches	100 inches	Not supported	Not supported
BrightLink EB-735Fi	100 inches	100 inches	98 inches	110 inches	Not supported
BrightLink EB-770Fi	100 inches	100 inches	100 inches	110 inches	110 inches
PowerLite EB-720	103 inches	101 inches	110 inches	Not supported	Not supported
PowerLite EB-725W	120 inches	116 inches	106 inches	Not supported	Not supported
PowerLite EB-750F/EB-755F	110 inches	120 inches	98 inches	110 inches	Not supported
PowerLite EB-760W	138 inches	134 inches	122 inches	Not supported	Not supported
PowerLite EB-770F/EB-775F	132 inches	143 inches	117 inches	133 inches	136 inches
PowerLite EB-800F/EB-805F	90 inches	130 inches	80 inches	120 inches	120 inches

You can project onto a pre-installed whiteboard or directly onto a plain wall.

The height of the included wall mount determines the maximum image size and how high the image appears on the wall or whiteboard. The distance of the projector from the wall (once it is mounted on the adjustable arm of the wall mount) also affects image size and position.

If you want to install the Touch Unit outside of the frame of a whiteboard, use the optional Touch Unit Bracket. If the distance from the wall to the surface of the whiteboard is greater than 2 inches (51 mm) or the frame of the whiteboard extends more than 0.1 inch (3 mm) away from the board surface, you must install the Touch Unit on the whiteboard or screen.

If you are planning to project on a whiteboard, the image may not fill the entire board, depending on the aspect ratio. If you match the image height to the board's height, gaps may appear on the sides of the board.

Use the following worksheets to determine the proper location of the wall plate on the wall. If you are projecting onto a pre-installed whiteboard, use the worksheet on page 23. If you are projecting on a plain wall, use the worksheet on page 25.

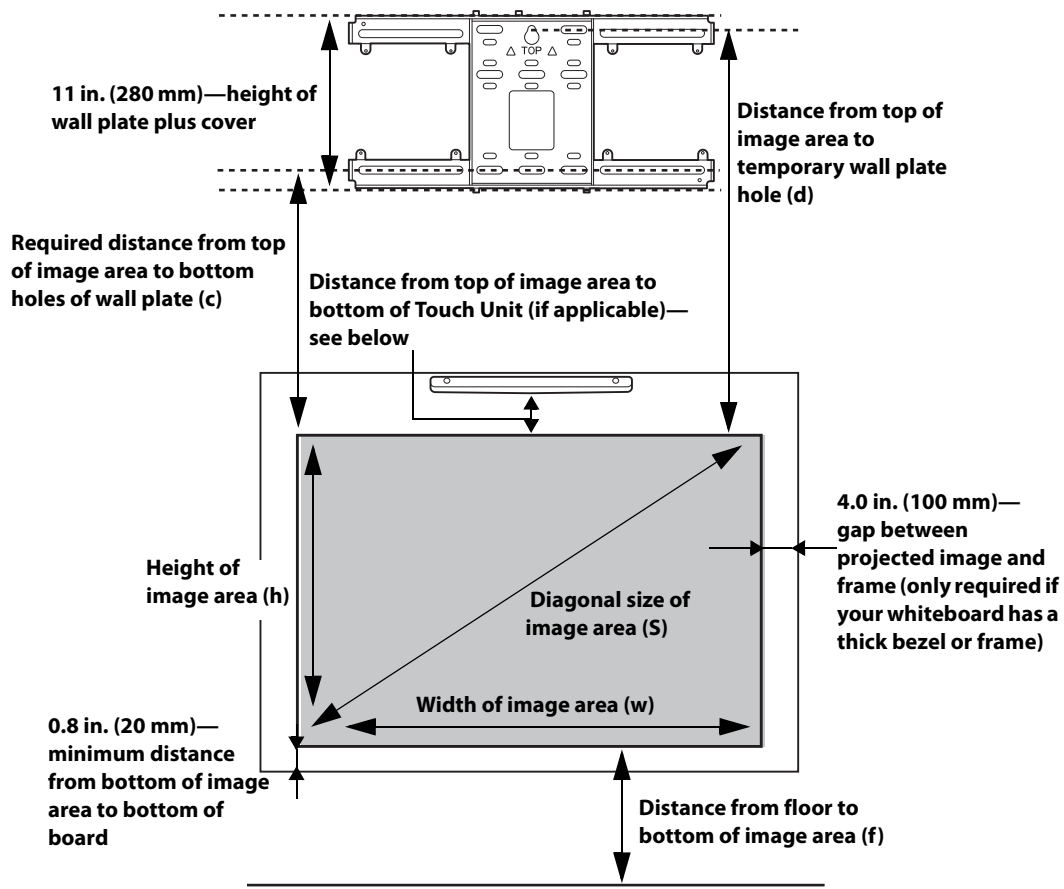


When installing the Touch Unit on a whiteboard (if applicable), make sure there are no cables, whiteboard trays, pen holders, or thick frames in the following areas around the edge of the board:

- From the top of the projected image to the bottom of the Touch Unit:**
 - **BrightLink 1480Fi/1480Fi+/1485Fi/1485Fi+:** 0.79 to 2 inches (20 to 50 mm) for 16:6 (BrightLink 1485Fi/1485Fi+ only) and 21:9 aspect ratios; 0.22 to 2 inches (5.7 to 50 mm) for all other aspect ratios
 - **BrightLink EB-770Fi:** 1.83 to 2 inches (46.4 to 50 mm) for 16:6 aspect ratio; 1.5 to 2 inches (38.1 to 50 mm) for 21:9 aspect ratio; 0.76 to 2 inches (19.2 to 50 mm) for all other aspect ratios
 - **BrightLink EB-735Fi:** 1.61 to 2 inches (41 to 50 mm) for 16:6 aspect ratio; 0.70 to 2 inches (17.7 to 50 mm) for all other aspect ratios
 - **BrightLink EB-760Wi:** 0.65 to 2 inches (16.4 to 50 mm) for all aspect ratios
 - **BrightLink EB-725Wi:** 0.54 to 2 inches (13.7 to 50 mm) for all aspect ratios
- From the edges of the projected image to the edges of the board: at least 4 inches (100 mm) left and right**
- From the bottom of the projected image to the bottom of the board: 0.8 inch (20 mm)**


If there are obstacles such as within the areas listed above, the Touch Unit will not operate properly.

Installation worksheet for projecting on a pre-installed wall-mounted board



Distance from top of image area to bottom of Touch Unit (if applicable):

Model	21:9 aspect ratio	16:6 aspect ratio	All other aspect ratios
BrightLink 1480Fi/1480Fi+/1485Fi/1485Fi+	0.79 to 2 inches (20 to 50 mm)	0.79 to 2 inches (20 to 50 mm) (BrightLink 1485Fi/1485Fi+ only)	0.22 to 2 inches (5.7 to 50 mm)
BrightLink EB-770Fi	1.5 to 2 inches (38.1 to 50 mm)	1.83 to 2 inches (46.4 to 50 mm)	0.76 to 2 inches (19.2 to 50 mm)
BrightLink EB-735Fi	—	1.61 to 2 inches (41 to 50 mm)	0.70 to 2 inches (17.7 to 50 mm)
BrightLink EB-760Wi	—	—	0.65 to 2 inches (16.4 to 50 mm)
BrightLink EB-725Wi	—	—	0.54 to 2 inches (13.7 to 50 mm)

 **If you want to install the Touch Unit (BrightLink models only) outside of the frame of a whiteboard, use the optional Touch Unit Bracket. If the distance from the wall to the surface of the whiteboard is greater than 2 inches (51 mm) or the frame of the whiteboard extends more than 0.1 inch (3 mm) away from the board surface, you must install the Touch Unit on the whiteboard or screen. See page 76 for details on mounting the Touch Unit.**

1. Measure the ceiling height (distance from the floor to the ceiling). _____
2. Measure the height of the board's image area (h). _____ (h)
3. Measure the width of the board's image area (w). _____ (w)
4. Measure the distance from the floor to the bottom of the board's image area (f). _____ (f)
5. Measure the thickness of the board (distance from the projection surface to the wall) _____ (x)

6. Determine the aspect ratio of the board or of the images that will be projected. You may need to consult your IT department for this information.

___ 4:3 XGA ___ 16:10 WXGA/WUXGA ___ 16:9 Widescreen ___ 16:6* ___ 21:9**

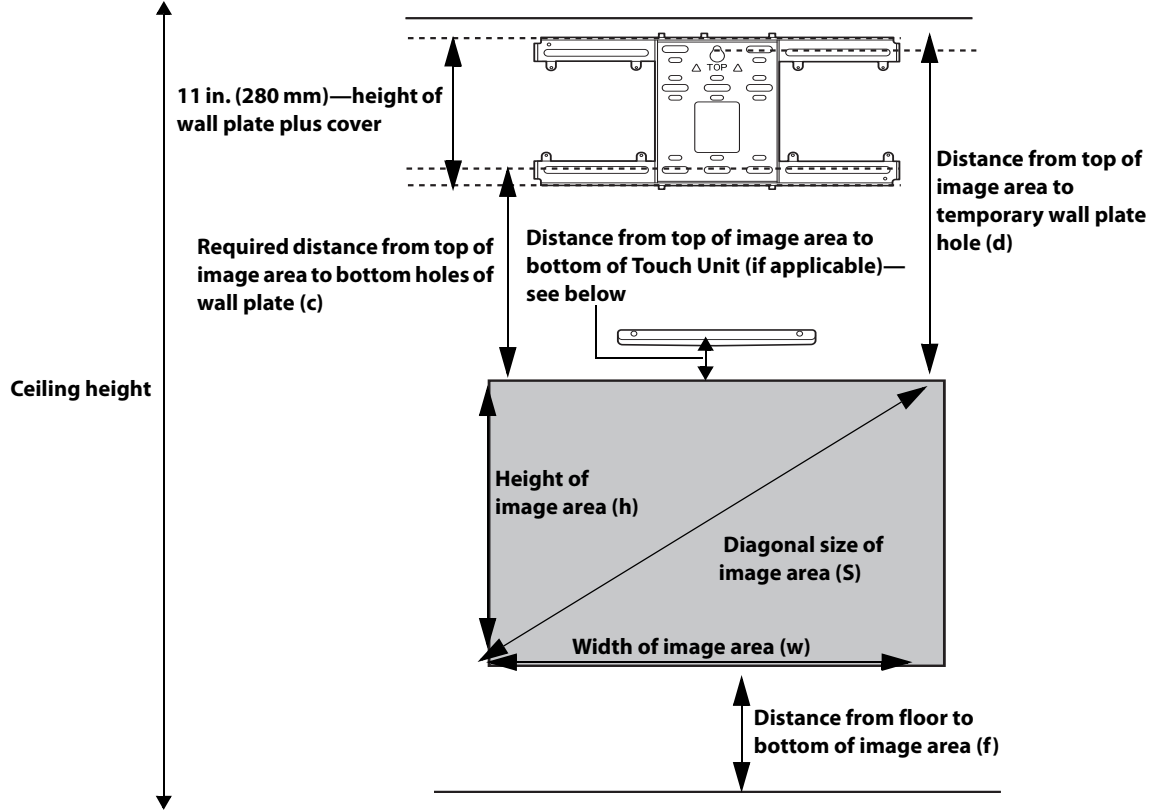
**BrightLink 1485Fi/1485Fi+/EB-735Fi/EB-770Fi and PowerLite EB-750F/EB-755F/EB-770F/EB-775F/EB-800F/EB-805F only.*

***BrightLink 1480Fi/1480Fi+/1485Fi/1485Fi+/EB-770Fi and PowerLite EB-770F/EB-775F/EB-800F/EB-805F only.*

If your desired aspect ratio does not match the native aspect ratio of your product, use the Throw Distance Calculator at <http://epson.com/support> (U.S.), <http://epson.ca/support> (Canada), or <http://latin.epson.com/support> (Latin America) to determine the correct measurements.

7. Using the tables on pages 29 to 51 and your desired image height (h), find the required distance between the top of the image area and the bottom holes of the wall plate (c). _____ (c)
8. Using the tables on pages 29 to 51 and your desired image height (h), find the required distance between the top of the image area and the temporary wall plate hole (d). _____ (d)
9. Determine the position for your projector installation by adding the values for (f), (h), and (c), plus an additional 11 inches (280 mm) for the height of the wall plate plus the cover. _____ (f)
 _____ (h)
 _____ (c)
 If the ceiling height of your room (as noted in step 1) does not meet the minimum ceiling height required for your board, you may need to select a smaller image size or move the board to a lower position on the wall. ± 11 inches
 (280 mm)
 _____ total
10. After confirming your image size, use tape or a pencil to mark the distance (c) from the top of the image area on the board to the bottom holes of the wall plate.
11. Align the ★ line (horizontal) on the template sheet with the (c) mark, then align the center line on the template sheet with the center of the image area. Follow the instructions on page 52 to install the projector.

Installation worksheet for projecting on a plain wall



Distance from top of image area to bottom of Touch Unit (if applicable):

Model	21:9 aspect ratio	16:6 aspect ratio	All other aspect ratios
BrightLink 1480Fi/1480Fi+/1485Fi/1485Fi+	0.79 to 2 inches (20 to 50 mm)	0.79 to 2 inches (20 to 50 mm) (BrightLink 1485Fi/1485Fi+ only)	0.22 to 2 inches (5.7 to 50 mm)
BrightLink EB-770Fi	1.5 to 2 inches (38.1 to 50 mm)	1.83 to 2 inches (46.4 to 50 mm)	0.76 to 2 inches (19.2 to 50 mm)
BrightLink EB-735Fi	—	1.61 to 2 inches (41 to 50 mm)	0.70 to 2 inches (17.7 to 50 mm)
BrightLink EB-760Wi	—	—	0.65 to 2 inches (16.4 to 50 mm)
BrightLink EB-725Wi	—	—	0.54 to 2 inches (13.7 to 50 mm)

1. Measure the ceiling height (distance from the floor to the ceiling). _____

2. Determine the aspect ratio of the board or of the images that will be projected. You may need to consult your IT department for this information.

___ 4:3 XGA ___ 16:10 WXGA/WUXGA ___ 16:9 Widescreen ___ 16:6* ___ 21:9**

*BrightLink 1485Fi/1485Fi+/EB-735Fi/EB-770Fi and PowerLite EB-750F/EB-755F/EB-770F/EB-775F/EB-800F/EB-805F only.

**BrightLink 1480Fi/1480Fi+/1485Fi/1485Fi+/EB-770Fi and PowerLite EB-770F/EB-775F/EB-800F/EB-805F only.

If your desired aspect ratio does not match the native resolution of your product, use the Throw Distance Calculator at <http://epson.com/support> (U.S.), <http://epson.ca/support> (Canada), or <http://latin.epson.com/support> (Latin America) to determine the correct measurements.

3. Using the tables on pages 29 to 51, select the largest image size available for your ceiling height.

Image height (h) _____ (h)

Image width (w) _____ (w)

4. Determine the desired distance from the floor to the bottom of the image area (f). _____ (f)
 The recommended minimum distance is 30 inches (762 mm). Images appearing less than 28 inches (711 mm) from the floor may be obstructed for some viewers.
5. Find the top of the projected image area by adding distances (f) and (h). _____
6. Use the tables on pages 29 to 51 to determine the required distance from the top of the image area to the bottom holes of the wall plate (c). _____ (c)
7. Use the tables on pages 29 to 51 to determine the required distance between the top of the image area and the temporary wall plate hole (d). _____ (d)
8. Add:

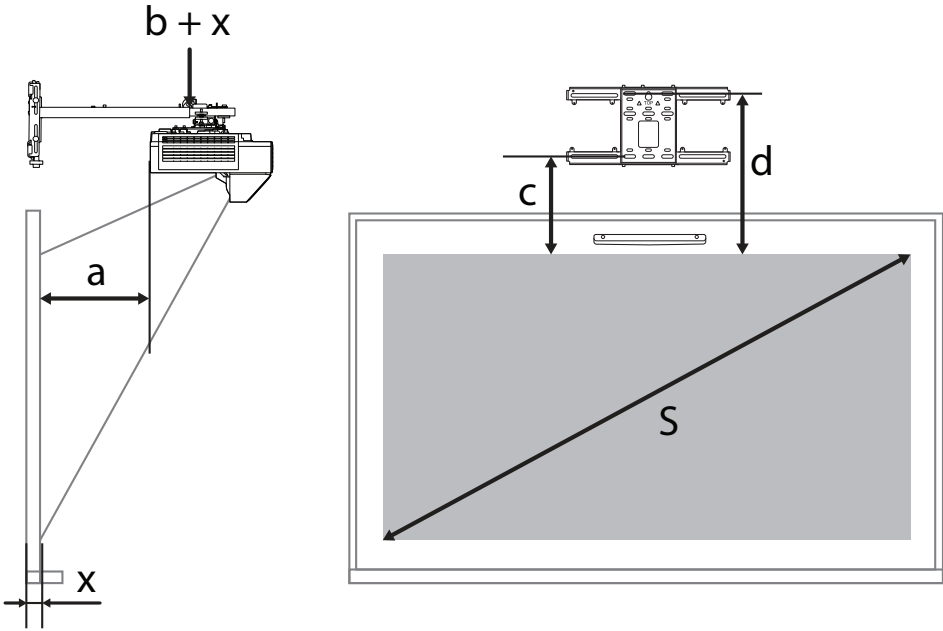
Required distance from top of image area to bottom holes of wall plate (c)	_____ (c)
Height of image area (h)	_____ (h)
Distance from floor to bottom of image area (f)	_____ (f)
Height of wall plate plus cover	<u>+ 11</u> inches (280 mm)
If the total exceeds the ceiling height, you will need to reduce the image size or reduce the distance from the floor to the bottom of the image area.	_____ total
9. After confirming your image size, use tape or a pencil to mark the distance (c) from the top of the image area on the board to the bottom holes of the wall plate.
10. Align the ★ line (horizontal) on the template sheet with the (c) mark, then align the center line on the template sheet with the center of the image area. Follow the instructions on page 52 to install the projector.

Projection distance worksheets

The tables on the following pages provide installation information for select image sizes. The minimum ceiling height is based on an image 30 inches (762 mm) from the floor; if the image is lower, the minimum ceiling height is reduced by the corresponding measurement.

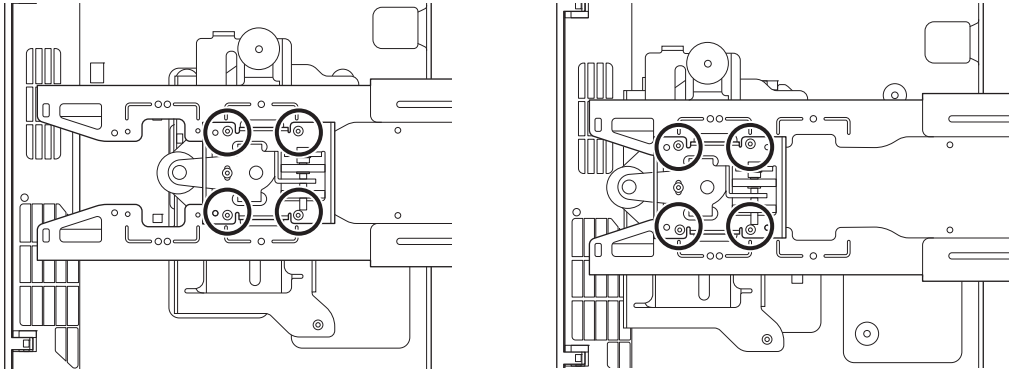
Use the worksheets, the illustrations, and the information in the tables on the following pages to determine the projection distance and placement of the wall plate.

Diagonal image size and mounting position



In order to see the stamp and the numbers on the slider scale (b), you need to slide out the arm extension.

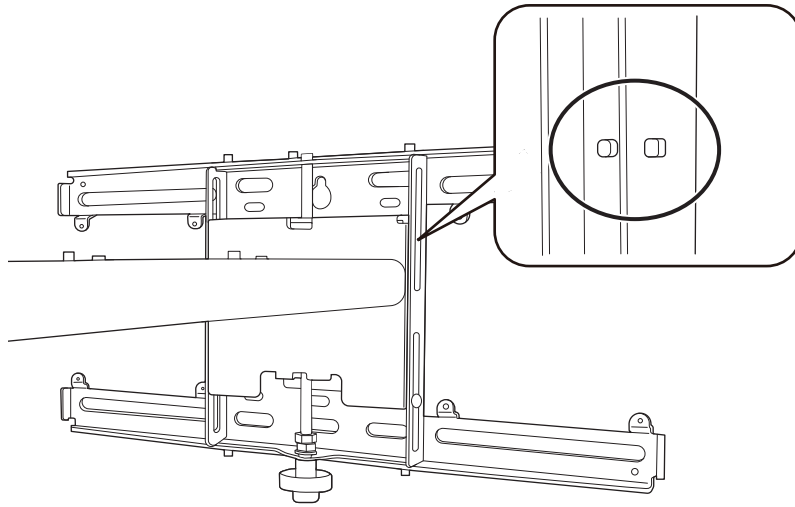
- **BrightLink 1480Fi/1480Fi+/1485Fi/1485Fi+ and PowerLite EB-800F/EB-805F:** Mount it at the ○ stamp when the image is less than 80 inches diagonally, or at the ○ ○ stamp when the projected image is 80 inches or more diagonally.
- **BrightLink EB-725Wi/EB-735Fi/EB-760Wi/EB-770Fi and PowerLite EB-720/EB-725W/EB-750F/EB-755F/EB-760W/EB-770F/EB-775F:** Mount it at the ○ stamp when the image is less than 90 inches diagonally, or at the ○ ○ stamp when the projected image is 90 inches or more diagonally.



Distance from top of projected image to wall plate

The distance (c) from the top of the projected image to the bottom mounting holes on the wall plate is the number given when the vertical slide is set to the base position, as shown below.

Match the notch on the wall mount to the position of the stamp on the wall plate.



Installation measurement tables

See the following pages for your projector's installation measurement tables:

- BrightLink 1480Fi/1480Fi+/1485Fi/1485Fi+ and PowerLite EB-800F/EB-805F on page 29.
- BrightLink EB-770Fi and PowerLite EB-770F/EB-775F on page 34.
- BrightLink EB-735Fi and PowerLite EB-750F/EB-755F on page 39.
- BrightLink EB-760Wi and PowerLite EB-760W on page 43.
- BrightLink EB-725Wi and PowerLite EB-725W on page 46.
- PowerLite EB-720 on page 49.



The measurements may differ depending on the location where you place the projector. When projecting in Tele mode, the quality of the projected images may decrease.

When projecting in the 16:6 (BrightLink 1485Fi/1485Fi+/EB-735Fi/EB-770Fi and PowerLite EB-750F/EB-755F/EB-770F/EB-775F/EB-800F/EB-805F) or 21:9 (BrightLink 1480Fi/1480Fi+/1485Fi/1485Fi+/EB-770Fi and PowerLite EB-770F/EB-775F/EB-800F/EB-805F) aspect ratio, the projected image has black bars above and below it by default. You can use the Screen Position setting to move the projected image to the top of the screen and the black bars below the image. Note that the distance from the top of the image to the bottom wall plate holes (c) or temporary wall plate hole (d) will vary if you change the Screen Position setting. The distance tables for the 16:6 and 21:9 aspect ratios include measurements for both the default Screen Position setting and measurements for an image that has been adjusted to sit at the top of the projection screen.

A shorter (x) distance may increase the minimum projection size. If the projection size is too small, there may not be enough space at the back of the projector for cable connections.

When you have determined the projection distance (a), check whether your cables will fit at the back of the projector. Calculate the distance from the wall plate cover to the back of the projector by using the following formula: (a) - (2.76 inches [70.2 mm]) + (x).

BrightLink 1480Fi/1480Fi+/1485Fi/1485Fi+ and PowerLite EB-800F/EB-805F

Measurements in Inches for 16:9

Diagonal image size (S)	Min. ceiling height*	Image width (w)	Image height (h)	Min. projection distance (a)	Sliderscale mark (b)	Distance from top of image to bottom wall plate holes (c)	Distance from top of image to temporary wall plate hole (d)
65"	80.8	56.7	31.9	6.2	5.8	7.9	15.5
70"	83.6	61.0	34.3	7.5	7.1	8.2	15.8
75"	86.3	65.4	36.8	8.7	8.3	8.5	16.1
80"	89.1	69.7	39.2	10.0	6.1	8.9	16.4
85"	91.8	74.1	41.7	11.2	7.4	9.2	16.7
90"	94.6	78.4	44.1	12.4	8.6	9.5	17.0
95"	97.4	82.8	46.6	13.7	9.9	9.8	17.4
100"	100.1	87.2	49.0	15.0	11.1	10.1	17.7
105"***	103.0	91.5	51.5	16.2	12.4	10.5	18.0
110"***	105.7	95.9	53.9	17.4	13.6	10.8	18.3
115"***	108.5	100.2	56.4	18.7	14.9	11.1	18.7
120"***	111.2	104.6	58.8	19.9	16.1	11.4	19.0
125"***	114.0	108.9	61.3	21.2	17.4	11.7	19.3
130"***	116.8	113.3	63.7	22.4	18.6	12.0	19.6

* Based on an image 30 inches from the floor; if the image is lower, the minimum ceiling height is reduced by the corresponding measurement.

***Interactive features not supported for images larger than 100".

Measurements in Centimeters for 16:9

Diagonal image size (S)	Min. ceiling height*	Image width (w)	Image height (h)	Min. projection distance (a)	Sliderscale mark (b)	Distance from top of image to bottom wall plate holes (c)	Distance from top of image to temporary wall plate hole (d)
65"	205.2	143.9	80.9	15.8	14.8	20.1	39.3
70"	212.3	155.0	87.2	19.0	18.0	20.9	40.1
75"	219.3	166.0	93.4	22.1	21.1	21.7	40.9
80"	226.3	177.1	99.6	25.3	15.6	22.5	41.7
85"	233.3	188.2	105.8	28.5	18.8	23.3	42.5
90"	240.4	199.2	112.1	31.6	21.9	24.1	43.3
95"	247.4	210.3	118.3	34.8	25.1	24.9	44.1
100"	254.4	221.4	124.5	38.0	28.3	25.7	44.9
105"***	261.6	232.4	130.8	41.1	31.4	26.6	45.8
110"***	268.6	243.5	137.0	44.3	34.6	27.4	46.6
115"***	275.6	254.6	143.2	47.5	37.8	28.2	47.4
120"***	282.6	265.7	149.4	50.6	40.9	29.0	48.2
125"***	289.7	276.7	155.7	53.8	44.1	29.8	49.0
130"***	296.7	287.8	161.9	57.0	47.3	30.6	49.8

* Based on an image 76.2 cm from the floor; if the image is lower, the minimum ceiling height is reduced by the corresponding measurement.

***Interactive features not supported for images larger than 100".

BrightLink 1480Fi/1480Fi+/1485Fi/1485Fi+ and PowerLite EB-800F/EB-805F

Measurements in Inches for 16:6 (BL 1485Fi/1485Fi+ and PL EB-800F/EB-805F)

Diagonal image size (S)	Min. ceiling height*	Image width (w)	Image height (h)	Min. proj. distance (a)	Sliderscale mark (b)	Default Screen Position		Screen Position max. (top)	
						Distance from top of image to bottom wall plate holes (c)	Distance from top of image to temporary wall plate hole (d)	Distance from top of image to bottom wall plate holes (c)	Distance from top of image to temporary wall plate hole (d)
65"	77.7	60.9	22.8	7.4	7.0	13.9	21.5	8.2	15.7
70"	80.3	65.6	24.6	8.8	8.4	14.7	22.2	8.5	16.1
75"	82.8	70.2	26.3	10.1	9.7	15.5	23.0	8.9	16.5
80"	85.3	74.9	28.1	11.5	7.6	16.3	23.8	9.2	16.8
85"	87.9	79.6	29.8	12.8	9.0	17.0	24.6	9.6	17.2
90"	90.4	84.3	31.6	14.1	10.3	17.8	25.4	9.9	17.5
95"	93.0	88.9	33.3	15.5	11.7	18.6	26.2	10.3	17.8
100"	95.5	93.6	35.1	16.8	13.0	19.4	26.9	10.6	18.1
105"	98.0	98.3	36.9	18.1	14.3	20.2	27.7	10.9	18.5
110"	100.6	103.0	38.6	19.5	15.7	20.9	28.5	11.3	18.9
115"	103.1	107.7	40.4	20.8	17.0	21.7	29.3	11.6	19.2
120"	105.6	112.4	42.1	22.2	18.3	22.5	30.1	12.0	19.6

* Based on an image 30 inches from the floor; if the image is lower, the minimum ceiling height is reduced by the corresponding measurement.

Measurements in Centimeters for 16:6 (BL 1485Fi/1485Fi+ and PL EB-800/EB-805F)

Diagonal image size (S)	Min. ceiling height*	Image width (w)	Image height (h)	Min. proj. distance (a)	Sliderscale mark (b)	Default Screen Position		Screen Position max. (top)	
						Distance from top of image to bottom wall plate holes (c)	Distance from top of image to temporary wall plate hole (d)	Distance from top of image to bottom wall plate holes (c)	Distance from top of image to temporary wall plate hole (d)
65"	197.5	154.6	58.0	18.9	17.9	35.3	54.5	20.8	40.0
70"	203.9	166.5	62.4	22.3	21.3	37.3	56.5	21.7	40.9
75"	210.4	178.4	66.9	25.7	24.7	39.3	58.5	22.6	41.8
80"	216.8	190.3	71.3	29.1	19.4	41.3	60.5	23.5	42.7
85"	223.3	202.2	75.8	32.5	22.8	43.3	62.5	24.4	43.6
90"	229.8	214.0	80.3	35.9	26.2	45.3	64.5	25.2	44.4
95"	236.2	225.9	84.7	39.3	29.6	47.3	66.5	26.1	45.3
100"	242.6	237.8	89.2	42.7	33.0	49.2	68.4	26.9	46.1
105"	249.0	249.7	93.6	46.1	36.4	51.2	70.4	27.8	47.0
110"	255.5	261.6	98.1	49.5	39.8	53.2	72.4	28.7	47.9
115"	262.0	273.5	102.6	52.9	43.2	55.2	74.4	29.6	48.8
120"	268.4	285.4	107.0	56.3	46.6	57.2	76.4	30.5	49.7

* Based on an image 76.2 cm from the floor; if the image is lower, the minimum ceiling height is reduced by the corresponding measurement.

BrightLink 1480Fi/1480Fi+/1485Fi/1485Fi+ and PowerLite EB-800F/EB-805F

Measurements in Inches for 16:10

Diagonal image size (S)	Min. ceiling height*	Image width (w)	Image height (h)	Min. projection distance (a)	Sliderscale mark (b)	Distance from top of image to bottom wall plate holes (c)	Distance from top of image to temporary wall plate hole (d)
61"	81.3	51.7	32.3	6.5	6.1	8.0	15.5
65"	83.7	55.1	34.4	7.5	7.1	8.2	15.8
70"	86.7	59.4	37.1	8.9	8.5	8.6	16.1
75"	89.7	63.6	39.8	10.2	9.8	8.9	16.5
80"	92.7	67.8	42.4	11.6	7.8	9.3	16.9
85"	95.6	72.1	45.0	12.9	9.1	9.6	17.2
90"	98.7	76.3	47.7	14.3	10.5	10.0	17.5
95"	101.7	80.6	50.4	15.6	11.8	10.3	17.9
100"	104.7	84.8	53.0	17.0	13.1	10.7	18.2
105"	107.7	89.1	55.7	18.3	14.5	11.0	18.5
110"	110.6	93.3	58.3	19.6	15.8	11.3	18.9
115"	113.6	97.5	60.9	21.0	17.2	11.7	19.3
120"	116.6	101.8	63.6	22.4	18.5	12.0	19.6

* Based on an image 30 inches from the floor; if the image is lower, the minimum ceiling height is reduced by the corresponding measurement.

**Interactive features not supported for images larger than 100".

Measurements in Centimeters for 16:10

Diagonal image size (S)	Min. ceiling height*	Image width (w)	Image height (h)	Min. projection distance (a)	Sliderscale mark (b)	Distance from top of image to bottom wall plate holes (c)	Distance from top of image to temporary wall plate hole (d)
61"	206.5	131.4	82.1	16.4	15.4	20.2	39.4
65"	212.6	140.0	87.5	19.1	18.1	20.9	40.1
70"	220.2	150.8	94.2	22.6	21.6	21.8	41.0
75"	227.9	161.5	101.0	26.0	25.0	22.7	41.9
80"	235.5	172.3	107.7	29.4	19.7	23.6	42.8
85"	243.0	183.1	114.4	32.8	23.1	24.4	43.6
90"	250.7	193.9	121.2	36.3	26.6	25.3	44.5
95"	258.3	204.7	127.9	39.7	30.0	26.2	45.4
100"	265.9	215.4	134.6	43.1	33.4	27.1	46.3
105"	273.5	226.2	141.4	46.5	36.8	27.9	47.1
110"	281.1	236.9	148.1	49.9	40.2	28.8	48.0
115"	288.7	247.7	154.8	53.4	43.7	29.7	48.9
120"	296.3	258.5	161.5	56.8	47.1	30.6	49.8

* Based on an image 76.2 cm from the floor; if the image is lower, the minimum ceiling height is reduced by the corresponding measurement.

**Interactive features not supported for images larger than 100".

BrightLink 1480Fi/1480Fi+/1485Fi/1485Fi+ and PowerLite EB-800F/EB-805F

Measurements in Inches for 4:3

Diagonal image size (S)	Min. ceiling height*	Image width (w)	Image height (h)	Min. projection distance (a)	Sliderscale mark (b)	Distance from top of image to bottom wall plate holes (c)	Distance from top of image to temporary wall plate hole (d)
65"	88.8	52.0	39.0	9.8	9.4	8.8	16.4
70"	92.2	56.0	42.0	11.4	11.0	9.2	16.8
75"	95.6	60.0	45.0	12.9	12.5	9.6	17.2
80"	99.0	64.0	48.0	14.4	10.6	10.0	17.6
85"	102.4	68.0	51.0	15.9	12.1	10.4	18.0
90"	105.8	72.0	54.0	17.5	13.7	10.8	18.3
95"	109.2	76.0	57.0	19.0	15.2	11.2	18.7
100"	112.6	80.0	60.0	20.5	16.7	11.6	19.1
105"***	116.0	84.0	63.0	22.0	18.2	12.0	19.5

* Based on an image 30 inches from the floor; if the image is lower, the minimum ceiling height is reduced by the corresponding measurement.

***Interactive features not supported for images larger than 100".

Measurements in Centimeters for 4:3

Diagonal image size (S)	Min. ceiling height**	Image width (w)	Image height (h)	Min. projection distance (a)	Sliderscale mark (b)	Distance from top of image to bottom wall plate holes (c)	Distance from top of image to temporary wall plate hole (d)
65"	225.7	132.1	99.1	25.0	24.0	22.4	41.6
70"	234.3	142.2	106.7	28.9	27.9	23.4	42.6
75"	242.9	152.4	114.3	32.8	31.8	24.4	43.6
80"	251.5	162.6	121.9	36.6	26.9	25.4	44.6
85"	260.1	172.7	129.5	40.5	30.8	26.4	45.6
90"	268.8	182.9	137.2	44.4	34.7	27.4	46.6
95"	259.4	193.0	144.8	48.3	38.6	28.4	47.6
100"	268.0	203.2	152.4	52.1	42.4	29.4	48.6
105"***	276.6	213.4	160.0	56.0	46.3	30.4	49.6

* Based on an image 76.2 cm from the floor; if the image is lower, the minimum ceiling height is reduced by the corresponding measurement.

***Interactive features not supported for images larger than 100".

BrightLink 1480Fi/1480Fi+/1485Fi/1485Fi+ and PowerLite EB-800F/EB-805F

Measurements in Inches for 21:9

Diagonal image size (S)	Min. ceiling height*	Image width (w)	Image height (h)	Min. projection distance (a)	Sliderscale mark (b)	Default Screen Position		Screen Position max. (top)	
						Distance from top of image to bottom wall plate holes (c)	Distance from top of image to temporary wall plate hole (d)	Distance from top of image to bottom wall plate holes (c)	Distance from top of image to temporary wall plate hole (d)
65"	78.7	59.8	25.6	7.1	6.7	12.1	19.7	8.1	15.7
70"	81.3	64.3	27.6	8.4	8.0	12.8	20.3	8.5	16.0
75"	84.0	68.9	29.5	9.7	9.3	13.4	21.0	8.8	16.4
80"	86.6	73.5	31.5	11.1	7.2	14.1	21.6	9.1	16.7
85"	89.2	78.1	33.5	12.4	8.5	14.7	22.3	9.5	17.0
90"	91.8	82.7	35.4	13.7	9.8	15.4	22.9	9.8	17.4
95"	94.4	87.3	37.4	15.0	11.2	16.0	23.5	10.1	17.7
100"	97.1	91.9	39.4	16.3	12.5	16.7	24.2	10.5	18.1
105"***	99.7	96.5	41.4	17.6	13.8	17.3	24.8	10.8	18.4
110"***	102.3	101.1	43.3	18.9	15.1	17.9	25.5	11.1	18.7
115"***	104.9	105.7	45.3	20.2	16.4	18.6	26.1	11.5	19.1
120"***	107.5	110.3	47.3	21.6	17.8	19.2	26.8	11.8	19.4

* Based on an image 30 inches from the floor; if the image is lower, the minimum ceiling height is reduced by the corresponding measurement.

***Interactive features not supported for images larger than 100"

Measurements in Centimeters for 21:9

Diagonal image size (S)	Min. ceiling height*	Image width (w)	Image height (h)	Min. projection distance (a)	Sliderscale mark (b)	Default Screen Position		Screen Position max. (top)	
						Distance from top of image to bottom wall plate holes (c)	Distance from top of image to temporary wall plate hole (d)	Distance from top of image to bottom wall plate holes (c)	Distance from top of image to temporary wall plate hole (d)
65"	200.0	151.8	65.0	18.1	17.1	30.8	50.0	20.6	39.8
70"	206.6	163.4	70.0	21.4	20.4	32.4	51.6	21.5	40.7
75"	213.3	175.1	75.0	24.7	23.7	34.1	53.3	22.4	41.6
80"	219.9	186.8	80.0	28.1	18.4	35.7	54.9	23.2	42.4
85"	226.6	198.4	85.0	31.4	21.7	37.4	56.5	24.1	43.3
90"	233.2	210.1	90.0	34.7	25.0	39.0	58.2	24.9	44.1
95"	239.9	221.8	95.1	38.1	28.4	40.6	59.8	25.7	44.9
100"	246.6	233.5	100.1	41.4	31.7	42.3	61.5	26.7	45.9
105"***	253.2	245.1	105.1	44.8	35.1	43.9	63.1	27.5	46.7
110"***	259.8	256.8	110.1	48.1	38.4	45.5	64.7	28.3	47.5
115"***	266.5	268.5	115.1	51.4	41.7	47.2	66.4	29.2	48.4
120"***	273.1	280.2	120.1	54.8	45.1	48.8	68.0	30.0	49.2

* Based on an image 76.2 cm from the floor; if the image is lower, the minimum ceiling height is reduced by the corresponding measurement.

***Interactive features not supported for images larger than 100"

BrightLink EB-770Fi and PowerLite EB-770F/EB-775F

Measurements in Inches for 16:9

Diagonal image size (S)	Min. ceiling height*	Image width (w)	Image height (h)	Min. projection distance (a)	Sliderscale mark (b)	Distance from top of image to bottom wall plate holes (c)	Distance from top of image to temporary wall plate hole (d)
71"	84.5	61.9	34.8	3.5	5.8	8.7	16.3
75"	86.9	65.4	36.8	4.5	6.8	9.2	16.7
80"	90.0	69.7	39.2	5.7	8.0	9.8	17.3
85"	93.0	74.1	41.7	6.9	9.3	10.4	17.9
90"	96.1	78.4	44.4	8.2	7.1	10.9	18.5
95"	99.1	82.8	46.6	9.5	8.3	11.5	19.1
100"	102.1	87.2	49.0	10.7	9.6	12.1	19.7
105"***	105.2	91.5	51.5	11.9	10.8	12.7	20.2
110"***	108.2	95.9	53.9	13.2	12.1	13.3	20.8
115"***	111.2	100.2	56.4	14.4	13.3	13.9	21.4
120"***	114.3	104.6	58.8	15.6	14.5	14.5	22.0
125"***	117.3	108.9	61.3	16.9	15.8	15.0	22.6
130"***	120.4	113.3	63.7	18.1	17.0	15.6	23.2
135"***	123.4	117.7	66.2	19.4	18.3	16.2	23.8
140"***	126.4	122.0	68.6	20.6	19.5	16.8	24.4

* Based on an image 30 inches from the floor; if the image is lower, the minimum ceiling height is reduced by the corresponding measurement.

***Interactive features not supported for images larger than 100".

Measurements in Centimeters for 16:9

Diagonal image size (S)	Min. ceiling height*	Image width (w)	Image height (h)	Min. projection distance (a)	Sliderscale mark (b)	Distance from top of image to bottom wall plate holes (c)	Distance from top of image to temporary wall plate hole (d)
71"	214.6	157.2	88.4	8.8	14.7	22.1	41.3
75"	220.8	166.0	93.4	11.3	17.2	23.3	42.5
80"	228.5	177.1	99.6	14.5	20.4	24.8	44.0
85"	236.2	188.2	105.8	17.6	23.5	26.3	45.5
90"	244.0	199.2	112.1	20.8	18.0	27.8	47.0
95"	251.6	210.3	118.3	24.0	21.1	29.2	48.5
100"	259.3	221.4	124.5	27.1	24.3	30.7	50.0
105"***	267.1	232.4	130.8	30.3	27.4	32.2	51.4
110"***	274.8	243.5	137	33.4	30.6	33.7	52.9
115"***	282.5	254.6	143.2	36.6	33.8	35.2	54.4
120"***	290.2	265.7	149.4	39.7	36.9	36.7	55.9
125"***	298.0	276.7	155.7	42.9	40.1	38.2	57.4
130"***	305.7	287.8	161.9	46.0	43.2	39.7	58.9
135"***	313.3	298.9	168.1	49.2	46.4	41.1	60.4
140"***	321.0	309.9	174.3	52.3	49.5	42.6	61.9

* Based on an image 76.2 cm from the floor; if the image is lower, the minimum ceiling height is reduced by the corresponding measurement.

***Interactive features not supported for images larger than 100".

BrightLink EB-770Fi and PowerLite EB-770F/EB-775F

Measurements in Inches for 16:6

Diagonal image size (S)	Min. ceiling height*	Image width (w)	Image height (h)	Min. projection distance (a)	Sliderscale mark (b)	Default Screen Position		Screen Position max. (top)	
						Distance from top of image to bottom wall plate holes (c)	Distance from top of image to temporary wall plate hole (d)	Distance from top of image to bottom wall plate holes (c)	Distance from top of image to temporary wall plate hole (d)
66"	78.7	61.8	23.2	3.4	5.8	14.5	22.1	8.7	16.3
70"	80.9	65.6	24.6	4.5	6.8	15.4	22.9	9.2	16.8
75"	83.8	70.2	26.3	5.8	8.2	16.4	24.0	5.9	17.4
80"	86.6	74.9	28.1	7.2	9.5	17.5	25.0	10.4	18.0
85"	89.4	79.6	29.8	8.5	10.8	18.5	26.1	11.1	18.7
90"	92.2	84.3	31.6	9.8	8.7	19.6	27.2	11.7	19.3
95"	95.0	88.9	33.4	11.2	10.1	20.7	28.2	12.3	19.9
100"	97.9	93.6	35.1	12.5	11.4	21.7	29.3	13.0	20.6
105"	100.7	98.3	36.9	13.9	12.7	22.8	30.4	13.6	21.2
110"	103.5	103.0	38.6	15.2	14.1	23.9	31.5	14.2	21.8
115"***	106.4	107.7	40.4	16.5	15.4	25.0	32.5	14.8	22.4
120"***	106.2	112.4	42.1	17.8	16.7	26.0	33.6	15.5	23.1
125"***	112.0	117.1	43.9	19.2	18.1	27.1	34.7	16.1	23.7
130"***	114.8	121.7	45.6	20.5	19.4	28.2	35.7	16.7	24.3

* Based on an image 30 inches from the floor; if the image is lower, the minimum ceiling height is reduced by the corresponding measurement.

***Interactive features not supported for images larger than 110".

Measurements in Centimeters for 16:6

Diagonal image size (S)	Min. ceiling height*	Image width (w)	Image height (h)	Min. projection distance (a)	Sliderscale mark (b)	Default Screen Position		Screen Position max. (top)	
						Distance from top of image to bottom wall plate holes (c)	Distance from top of image to temporary wall plate hole (d)	Distance from top of image to bottom wall plate holes (c)	Distance from top of image to temporary wall plate hole (d)
66"	199.8	157.0	58.9	8.7	14.6	36.8	56.0	22.1	41.3
70"	205.5	166.5	62.4	11.4	17.3	39.0	58.2	23.3	42.6
75"	212.7	178.4	66.9	14.8	20.7	41.7	60.9	14.9	44.2
80"	219.8	190.3	71.3	18.2	24.1	44.4	63.6	26.5	45.8
85"	227.0	202.2	75.8	21.6	27.5	47.1	66.3	28.1	47.4
90"	234.2	214.0	80.3	25.0	22.2	49.8	69.0	29.7	49.0
95"	241.3	225.9	84.7	28.4	25.6	52.5	71.7	31.3	50.6
100"	248.5	237.8	89.2	31.8	28.9	55.2	74.5	32.9	52.2
105"	255.7	249.7	93.6	35.2	32.3	58.0	77.2	34.5	53.8
110"	262.9	261.6	98.1	38.5	35.7	60.7	79.9	36.1	55.4
115"***	270.1	273.5	102.6	41.9	39.1	63.4	82.6	37.7	57.0
120"***	277.2	285.4	107.0	45.3	42.5	66.1	85.3	39.3	58.6
125"***	284.4	297.3	111.5	48.7	45.9	68.8	88.0	40.9	60.2
130"***	291.5	309.2	115.9	52.1	49.3	71.5	90.7	42.5	61.8

* Based on an image 76.2 cm from the floor; if the image is lower, the minimum ceiling height is reduced by the corresponding measurement.

***Interactive features not supported for images larger than 110".

BrightLink EB-770Fi and PowerLite EB-770F/EB-775F

Measurements in Inches for 16:10

Diagonal image size (S)	Min. ceiling height*	Image width (w)	Image height (h)	Min. projection distance (a)	Sliderscale mark (b)	Distance from top of image to bottom wall plate holes (c)	Distance from top of image to temporary wall plate hole (d)
66"	84.7	56.0	35.0	3.5	5.9	8.7	16.3
70"	87.3	59.4	37.1	4.6	6.9	9.3	16.8
75"	90.7	63.6	39.8	5.9	8.3	9.9	17.4
80"	93.9	67.8	42.4	7.3	9.6	10.5	18.1
85"	97.2	72.1	45.0	8.7	10.9	11.1	18.7
90"	100.5	76.3	47.7	10.0	8.9	11.8	19.3
95"	103.8	80.6	50.4	11.3	10.2	12.4	20.0
100"	107.0	84.8	53.0	12.7	11.6	13.0	20.6
105"***	110.4	89.1	55.7	14.0	12.9	13.7	21.3
110"***	113.6	93.3	58.3	15.4	14.3	14.3	21.9
115"***	116.9	97.5	60.9	16.7	15.6	15.0	22.5
120"***	120.2	101.8	63.6	18.0	16.9	15.6	23.2
125"***	123.5	106.0	66.3	19.4	18.3	16.2	23.8
130"***	126.8	110.2	68.9	20.7	19.6	16.9	24.4

* Based on an image 30 inches from the floor; if the image is lower, the minimum ceiling height is reduced by the corresponding measurement.

***Interactive features not supported for images larger than 100".

Measurements in Centimeters for 16:10

Diagonal image size (S)	Min. ceiling height*	Image width (w)	Image height (h)	Min. projection distance (a)	Sliderscale mark (b)	Distance from top of image to bottom wall plate holes (c)	Distance from top of image to temporary wall plate hole (d)
66"	215.1	142.2	88.8	9.0	14.9	22.2	41.4
70"	221.8	150.8	94.2	11.7	17.6	23.5	42.7
75"	230.2	161.5	101.0	15.1	21.0	25.1	44.3
80"	238.5	172.3	107.7	18.6	24.4	26.7	45.9
85"	246.8	183.1	114.4	22.0	27.8	28.3	47.5
90"	255.2	193.9	121.2	25.4	22.6	29.9	49.1
95"	263.5	204.6	127.9	28.8	26.0	31.5	50.8
100"	271.8	215.4	134.6	32.2	29.4	33.1	52.4
105"***	280.3	226.2	141.4	35.6	32.8	34.8	54.0
110"***	288.6	236.9	148.1	39.0	36.2	36.4	55.6
115"***	296.9	247.7	154.8	42.4	39.6	38.0	57.2
120"***	305.2	258.5	161.5	45.8	43.0	39.6	58.8
125"***	313.6	269.2	168.3	49.2	46.4	41.2	60.4
130"***	321.9	280.0	175.0	52.6	49.8	42.8	62.0

* Based on an image 76.2 cm from the floor; if the image is lower, the minimum ceiling height is reduced by the corresponding measurement.

***Interactive features not supported for images larger than 100".

BrightLink EB-770Fi and PowerLite EB-770F/EB-775F

Measurements in Inches for 4:3

Diagonal image size (S)	Min. ceiling height*	Image width (w)	Image height (h)	Min. projection distance (a)	Sliderscale mark (b)	Distance from top of image to bottom wall plate holes (c)	Distance from top of image to temporary wall plate hole (d)
60"	86.0	48.0	36.0	4.1	6.4	9.0	16.5
65"	89.7	52.0	39.0	5.6	7.9	9.7	17.3
70"	93.4	56.0	42.0	7.1	9.4	10.4	18.0
75"	97.1	60.0	45.0	8.6	10.9	11.1	18.7
80"	100.8	64.0	48.0	10.2	12.4	11.9	19.4
85"	104.5	68.0	51.0	11.7	14.0	12.6	20.1
90"	108.3	72.0	54.0	13.2	12.1	13.3	20.9
95"	112.0	76.0	57.0	14.7	13.6	14.0	21.6
100"	115.7	80.0	60.0	16.2	15.1	14.7	22.3
105"**	119.4	84.0	63.0	17.8	16.6	15.4	23.0
110"**	123.1	88.0	66.0	19.3	18.2	16.1	23.7
115"**	126.9	92.0	69.0	20.8	19.7	16.9	24.5

* Based on an image 30 inches from the floor; if the image is lower, the minimum ceiling height is reduced by the corresponding measurement.

**Interactive features not supported for images larger than 100".

Measurements in Centimeters for 4:3

Diagonal image size (S)	Min. ceiling height*	Image width (w)	Image height (h)	Min. projection distance (a)	Sliderscale mark (b)	Distance from top of image to bottom wall plate holes (c)	Distance from top of image to temporary wall plate hole (d)
60"	218.3	121.9	91.4	10.3	16.2	22.8	42.0
65"	227.8	132.1	99.1	14.2	20.1	24.6	43.9
70"	237.3	142.2	106.7	18.0	23.9	26.5	45.7
75"	246.7	152.4	114.3	21.9	27.8	28.3	47.5
80"	256.1	162.6	121.9	25.8	31.6	30.1	49.3
85"	265.5	172.7	129.5	29.6	35.5	31.9	51.1
90"	275.1	182.9	137.2	33.5	30.7	33.8	53.0
95"	284.5	193.0	144.8	37.3	34.5	35.6	54.8
100"	293.9	203.2	152.4	41.2	38.4	37.4	56.6
105"**	303.3	213.4	160.0	45.1	42.2	39.2	58.4
110"**	312.7	223.5	167.6	48.9	46.1	41.0	60.3
115"**	322.3	233.7	175.3	52.8	50.0	42.9	62.1

* Based on an image 76.2 cm from the floor; if the image is lower, the minimum ceiling height is reduced by the corresponding measurement.

**Interactive features not supported for images larger than 100".

BrightLink EB-770Fi and PowerLite EB-770F/EB-775F

Measurements in Inches for 21:9

Diagonal image size (S)	Min. ceiling height*	Image width (w)	Image height (h)	Min. projection distance (a)	Sliderscale mark (b)	Default Screen Position		Screen Position max. (top)	
						Distance from top of image to bottom wall plate holes (c)	Distance from top of image to temporary wall plate hole (d)	Distance from top of image to bottom wall plate holes (c)	Distance from top of image to temporary wall plate hole (d)
70"	78.9	65.6	24.6	4.2	6.5	13.4	20.9	10.8	18.4
75"	81.6	70.2	26.3	5.5	7.8	14.3	21.9	11.5	19.1
80"	84.3	74.9	28.1	6.8	9.1	15.2	22.8	12.3	19.8
85"	86.9	79.6	29.8	8.1	10.4	16.1	23.7	13.0	20.6
90"	89.7	84.3	31.6	9.4	8.3	17.1	24.6	13.8	21.3
95"	92.3	88.9	33.4	10.7	9.6	18.0	25.6	14.5	22.1
100"	95.0	93.6	35.1	12.0	10.9	18.9	26.5	15.2	22.8
105"	97.7	98.3	36.9	13.3	12.2	19.8	27.4	16.0	23.6
110"	100.4	103.0	38.6	14.7	13.5	20.8	28.3	16.7	24.3
115"***	103.1	107.7	40.4	15.9	14.8	21.7	29.3	17.5	25.0
120"***	105.7	112.4	42.1	17.2	16.1	22.6	30.2	18.2	25.8
125"***	108.4	117.1	43.9	18.5	17.4	23.5	31.1	19.1	26.5
130"***	111.1	121.7	45.6	19.9	18.8	24.5	32.0	19.7	27.3
135"***	119.5	124.1	53.2	21.2	20.1	25.4	33.0	20.5	28.0

* Based on an image 30 inches from the floor; if the image is lower, the minimum ceiling height is reduced by the corresponding measurement.

***Interactive features not supported for images larger than 110"

Measurements in Centimeters for 21:9

Diagonal image size (S)	Min. ceiling height*	Image width (w)	Image height (h)	Min. projection distance (a)	Sliderscale mark (b)	Default Screen Position		Screen Position max. (top)	
						Distance from top of image to bottom wall plate holes (c)	Distance from top of image to temporary wall plate hole (d)	Distance from top of image to bottom wall plate holes (c)	Distance from top of image to temporary wall plate hole (d)
70"	200.4	166.5	62.4	10.6	16.5	33.9	53.1	27.4	46.6
75"	207.2	178.4	66.9	13.9	19.8	36.2	55.5	29.3	48.5
80"	214.0	190.3	71.3	17.2	23.1	38.6	57.8	31.2	50.4
85"	220.8	202.2	75.8	20.5	26.4	40.9	60.2	33.1	52.3
90"	227.4	214	80.3	23.9	21.1	43.3	62.5	35.0	54.2
95"	234.4	225.9	84.7	27.2	24.4	45.6	64.9	36.9	56.1
100"	241.3	237.8	89.2	30.5	27.7	48.0	67.2	38.7	58.0
105"	248.0	249.7	93.6	33.8	31.0	50.3	69.6	40.6	59.9
110"	254.9	261.6	98.1	37.2	34.4	52.7	71.9	42.5	61.7
115"***	261.7	273.5	102.6	40.5	37.7	55.0	74.3	44.4	63.6
120"***	268.5	285.4	107.0	43.8	41.0	57.4	76.6	46.3	65.5
125"***	275.3	297.3	111.5	47.1	44.3	59.7	79.0	48.2	67.4
130"***	282.1	309.2	115.9	50.5	47.7	62.1	81.3	50.1	69.3
135"***	303.6	315.2	135.1	53.8	51.0	64.4	83.7	52.0	71.2

* Based on an image 76.2 cm from the floor; if the image is lower, the minimum ceiling height is reduced by the corresponding measurement.

***Interactive features not supported for images larger than 110"

BrightLink EB-735Fi and PowerLite EB-750F/EB-755F

Measurements in Inches for 16:9

Diagonal image size (S)	Min. ceiling height*	Image width (w)	Image height (h)	Min. projection distance (a)	Sliderscale mark (b)	Distance from top of image to bottom wall plate holes (c)	Distance from top of image to temporary wall plate hole (d)
70"	84.3	61.0	34.3	3.4	5.7	8.9	16.5
75"	87.3	65.4	36.8	4.6	6.9	9.6	17.1
80"	90.4	69.7	39.2	5.8	8.1	10.2	17.7
85"	93.4	74.1	41.7	7.0	9.3	10.8	18.3
90"	96.5	78.4	44.1	8.1	7.0	11.4	19.0
95"	99.6	82.8	46.6	9.3	8.2	12.0	19.6
100"	102.6	87.2	49.0	10.5	9.4	12.6	20.2
105"***	105.7	91.5	51.5	11.7	10.6	13.2	20.8
110"***	108.8	95.9	53.9	12.9	11.8	13.9	21.4
115"***	111.8	100.2	56.4	14.1	13.0	14.4	22.0
120"***	114.9	104.6	58.8	15.2	14.1	15.1	22.6
125"***	118.0	109.0	61.3	16.4	15.3	15.7	23.2
130"***	121.0	113.3	63.7	17.6	16.5	16.3	23.9

* Based on an image 30 inches from the floor; if the image is lower, the minimum ceiling height is reduced by the corresponding measurement.

***Interactive features not supported for images larger than 100".

Measurements in Centimeters for 16:9

Diagonal image size (S)	Min. ceiling height*	Image width (w)	Image height (h)	Min. projection distance (a)	Sliderscale mark (b)	Distance from top of image to bottom wall plate holes (c)	Distance from top of image to temporary wall plate hole (d)
70"	214.1	155.0	87.2	8.7	14.5	22.7	41.9
75"	221.9	166.0	93.4	11.7	17.5	24.3	43.5
80"	229.6	177.1	99.6	14.7	20.6	25.8	45.0
85"	237.4	188.2	105.8	17.7	23.6	27.4	46.6
90"	245.2	199.2	112.1	20.7	17.9	28.9	48.2
95"	253.0	210.3	118.3	23.7	20.9	30.5	49.7
100"	260.7	221.4	124.5	26.7	23.9	32.0	51.3
105"***	268.6	232.5	130.8	29.7	26.9	33.6	52.8
110"***	276.4	243.6	137.0	32.7	29.9	35.2	54.4
115"***	284.1	254.6	143.2	35.7	32.9	36.7	55.9
120"***	291.9	265.6	149.4	38.7	35.9	38.3	57.5
125"***	299.7	276.8	155.7	41.7	38.9	39.8	59.0
130"***	307.5	287.8	161.9	44.7	41.9	41.4	60.6

* Based on an image 76.2 cm from the floor; if the image is lower, the minimum ceiling height is reduced by the corresponding measurement.

***Interactive features not supported for images larger than 100".

BrightLink EB-735Fi and PowerLite EB-750F/EB-755F

Measurements in Inches for 16:6

Diagonal image size (S)	Min. ceiling height*	Image width (w)	Image height (h)	Min. proj. distance (a)	Sliderscale mark (b)	Default Screen Position		Screen Position max. (top)	
						Distance from top of image to bottom wall plate holes (c)	Distance from top of image to temporary wall plate hole (d)	Distance from top of image to bottom wall plate holes (c)	Distance from top of image to temporary wall plate hole (d)
65"	78.5	60.9	22.8	3.4	5.7	14.6	22.2	8.9	16.5
70"	81.3	65.6	24.6	4.6	7.0	15.7	23.3	9.6	17.2
75"	84.1	70.2	26.3	5.9	8.2	16.8	24.4	10.2	17.8
80"	87.0	74.9	28.1	7.2	9.5	17.9	25.5	10.9	18.5
85"	89.9	79.6	29.8	8.5	10.8	19.0	26.6	11.5	19.1
90"	92.7	84.3	31.6	9.7	8.6	20.1	27.7	12.2	19.8
95"	95.6	88.9	33.3	11.0	9.9	21.2	28.8	12.9	20.4
100"	98.4	93.6	35.1	12.2	11.1	22.3	29.9	13.5	21.1
105"	101.2	98.3	36.9	13.5	12.4	23.4	31.0	14.2	21.7
110"	104.1	103.0	38.6	14.8	13.7	24.5	32.0	14.8	22.4

* Based on an image 30 inches from the floor; if the image is lower, the minimum ceiling height is reduced by the corresponding measurement.

Measurements in Centimeters for 16:6

Diagonal image size (S)	Min. ceiling height*	Image width (w)	Image height (h)	Min. proj. distance (a)	Sliderscale mark (b)	Default Screen Position		Screen Position max. (top)	
						Distance from top of image to bottom wall plate holes (c)	Distance from top of image to temporary wall plate hole (d)	Distance from top of image to bottom wall plate holes (c)	Distance from top of image to temporary wall plate hole (d)
65"	199.4	154.6	58.0	8.6	14.4	37.2	56.4	22.7	41.9
70"	206.5	166.5	62.4	11.8	17.7	39.9	59.2	24.3	43.6
75"	213.8	178.4	66.9	15.0	20.9	42.7	61.9	26.0	45.2
80"	221.0	190.3	71.3	18.2	24.1	45.5	64.7	27.7	46.9
85"	228.3	202.2	75.8	21.5	27.4	48.3	67.5	29.3	48.6
90"	235.6	214.0	80.3	24.7	21.9	51.1	70.3	31.0	50.2
95"	242.8	225.9	84.7	27.9	25.1	53.9	73.1	32.7	51.9
100"	250.1	237.8	89.2	31.1	28.3	56.7	75.9	34.4	53.6
105"	257.2	249.7	93.6	34.4	31.6	59.4	78.7	36.0	55.2
110"	264.5	261.6	98.1	37.5	34.8	62.2	81.4	37.7	56.9

* Based on an image 76.2 cm from the floor; if the image is lower, the minimum ceiling height is reduced by the corresponding measurement.

BrightLink EB-735Fi and PowerLite EB-750F/EB-755F

Measurements in Inches for 16:10

Diagonal image size (S)	Min. ceiling height*	Image width (w)	Image height (h)	Min. projection distance (a)	Sliderscale mark (b)	Distance from top of image to bottom wall plate holes (c)	Distance from top of image to temporary wall plate hole (d)
65"	84.4	55.1	34.4	3.5	5.8	9.0	16.5
70"	87.7	59.3	37.1	4.8	7.1	9.6	17.2
75"	91.1	63.6	39.8	6.0	8.3	10.3	17.9
80"	94.3	67.8	42.4	7.3	9.6	10.9	18.5
85"	97.7	72.1	45.0	8.6	10.9	11.6	19.2
90"	101.0	76.3	47.7	9.9	8.7	12.3	19.8
95"	104.3	80.6	50.4	11.1	10.0	13.0	20.5
100"	107.6	84.8	53.0	12.4	11.3	13.6	21.2
105"	110.9	89.1	55.7	13.7	12.6	14.3	21.9
110"	114.2	93.3	58.3	15.0	13.9	14.9	22.5

* Based on an image 30 inches from the floor; if the image is lower, the minimum ceiling height is reduced by the corresponding measurement.

Measurements in Centimeters for 16:10

Diagonal image size (S)	Min. ceiling height*	Image width (w)	Image height (h)	Min. projection distance (a)	Sliderscale mark (b)	Distance from top of image to bottom wall plate holes (c)	Distance from top of image to temporary wall plate hole (d)
65"	214.5	140.0	87.5	8.8	14.7	22.8	42.0
70"	222.9	150.7	94.2	12.1	18.0	24.5	43.7
75"	231.4	161.6	101.0	15.3	21.2	26.2	45.4
80"	239.7	172.3	107.7	18.6	24.4	27.8	47.1
85"	248.1	183.0	114.4	21.8	27.7	29.5	48.7
90"	256.6	193.9	121.2	25.1	22.2	31.2	50.4
95"	265.0	204.6	127.9	28.3	25.5	32.9	52.1
100"	273.4	215.4	134.6	31.6	28.7	34.6	53.8
105"	281.8	226.2	141.4	34.8	32.0	36.2	55.5
110"	290.2	237.0	148.1	38.1	35.2	37.9	57.1

* Based on an image 76.2 cm from the floor; if the image is lower, the minimum ceiling height is reduced by the corresponding measurement.

BrightLink EB-735Fi and PowerLite EB-750F/EB-755F

Measurements in Inches for 4:3

Diagonal image size (S)	Min. ceiling height*	Image width (w)	Image height (h)	Min. projection distance (a)	Sliderscale mark (b)	Distance from top of image to bottom wall plate holes (c)	Distance from top of image to temporary wall plate hole (d)
55"	82.6	44.0	33.0	2.8	5.1	8.6	16.2
60"	86.4	48.0	36.0	4.2	6.5	9.4	16.9
65"	88.8	52.0	39.0	5.7	8.0	10.1	17.7
70"	93.9	56.0	42.0	7.1	9.4	10.9	18.4
75"	97.6	60.0	45.0	8.6	10.9	11.6	19.2
80"	101.4	64.0	48.0	10.0	12.3	12.4	19.9
85"	105.1	68.0	51.0	11.5	13.8	13.1	20.7
90"	108.9	72.0	54.0	12.9	11.8	13.9	21.4
95"	112.6	76.0	57.0	14.4	13.2	14.6	22.2

* Based on an image 30 inches from the floor; if the image is lower, the minimum ceiling height is reduced by the corresponding measurement.

Measurements in Centimeters for 4:3

Diagonal image size (S)	Min. ceiling height*	Image width (w)	Image height (h)	Min. projection distance (a)	Sliderscale mark (b)	Distance from top of image to bottom wall plate holes (c)	Distance from top of image to temporary wall plate hole (d)
55"	209.9	111.7	83.8	7.0	12.9	21.9	41.1
60"	219.4	121.9	91.4	10.7	16.6	23.8	43.0
65"	229.0	132.1	99.1	14.4	20.3	25.7	44.9
70"	238.5	142.2	106.7	18.1	24.0	27.6	46.8
75"	248.0	152.4	114.3	21.8	27.6	29.5	48.7
80"	257.5	162.6	121.9	25.4	31.3	31.4	50.6
85"	267.0	172.7	129.5	29.1	35.0	33.3	52.5
90"	276.6	182.9	137.2	32.8	30.0	35.2	54.4
95"	286.1	193.1	144.8	36.5	33.6	37.1	56.3

* Based on an image 76.2 cm from the floor; if the image is lower, the minimum ceiling height is reduced by the corresponding measurement.

BrightLink EB-760Wi and PowerLite EB-760W

Measurements in Inches for 16:10

Diagonal image size (S)	Min. ceiling height*	Image width (w)	Image height (h)	Min. projection distance (a)	Sliderscale mark (b)	Distance from top of image to bottom wall plate holes (c)	Distance from top of image to temporary wall plate hole (d)
70"	86.2	59.4	37.1	3.9	6.2	8.1	15.7
75"	89.4	63.6	39.8	5.2	7.5	8.7	16.2
80"	92.6	67.8	42.4	6.4	8.7	9.2	16.8
85"	95.8	72.1	45.0	7.7	10.0	9.8	17.3
90"	99.0	76.3	47.7	9.0	7.9	10.3	17.9
95"	102.2	80.6	50.4	10.3	9.2	10.9	18.4
100"	105.4	84.8	53.0	11.6	10.5	11.4	19.0
105"***	108.6	89.1	55.7	12.9	11.8	12.0	19.5
110"***	111.8	93.3	58.3	14.2	13.0	12.5	20.1
115"***	115.0	97.5	60.9	15.4	14.3	13.1	20.6
120"***	118.2	101.8	63.6	16.7	15.6	13.6	21.2
125"***	121.4	106.0	66.3	18.0	16.9	14.2	21.7
130"***	124.6	110.2	68.9	19.3	18.2	14.7	22.3
135"***	127.8	114.5	71.5	20.6	19.5	15.3	22.9

* Based on an image 30 inches from the floor; if the image is lower, the minimum ceiling height is reduced by the corresponding measurement.

***Interactive features not supported for images larger than 100".

Measurements in Centimeters for 16:10

Diagonal image size (S)	Min. ceiling height*	Image width (w)	Image height (h)	Min. projection distance (a)	Sliderscale mark (b)	Distance from top of image to bottom wall plate holes (c)	Distance from top of image to temporary wall plate hole (d)
70"	218.9	150.8	94.2	9.8	15.7	20.6	39.8
75"	227.1	161.5	101.0	13.1	19.0	22.0	41.2
80"	235.2	172.3	107.7	16.3	22.2	23.4	42.6
85"	243.3	183.1	114.4	19.6	25.5	24.8	44.0
90"	251.5	193.9	121.2	22.9	20.1	26.2	45.4
95"	259.6	204.6	127.9	26.2	23.3	27.6	46.8
100"	267.7	215.4	134.6	29.4	26.6	29.0	48.2
105"***	275.9	226.2	141.4	32.7	29.9	30.4	49.6
110"***	284.0	236.9	148.1	36.0	33.1	31.8	51.0
115"***	292.1	247.7	154.8	39.2	36.4	33.2	52.4
120"***	300.2	258.5	161.5	42.5	39.7	34.6	53.8
125"***	308.4	269.2	168.3	45.8	42.9	36.0	55.2
130"***	316.5	280.0	175.0	49.0	46.2	37.4	56.6
135"***	324.6	290.8	181.7	52.3	49.5	38.8	58.1

* Based on an image 76.2 cm from the floor; if the image is lower, the minimum ceiling height is reduced by the corresponding measurement.

***Interactive features not supported for images larger than 100".

BrightLink EB-760Wi and PowerLite EB-760W

Measurements in Inches for 16:9

Diagonal image size (S)	Min. ceiling height*	Image width (w)	Image height (h)	Min. projection distance (a)	Sliderscale mark (b)	Distance from top of image to bottom wall plate holes (c)	Distance from top of image to temporary wall plate hole (d)
70"	85.6	61.0	34.3	4.4	6.7	10.2	17.8
75"	88.7	65.4	36.8	5.7	8.0	10.9	18.5
80"	91.9	69.7	39.2	7.0	9.3	11.7	19.2
85"	95.0	74.1	41.7	8.4	10.6	12.3	19.9
90"	98.2	78.4	44.1	9.7	8.5	13.0	20.6
95"	101.3	82.8	46.6	11.0	9.9	13.7	21.3
100"	104.5	87.2	49.0	12.3	11.2	14.5	22.0
105"***	107.7	91.5	51.5	13.6	12.5	15.2	22.7
110"***	110.8	95.9	53.9	15.0	13.8	15.9	23.4
115"***	114.0	100.2	56.4	16.3	15.2	16.6	24.1
120"***	117.1	104.6	58.8	17.6	16.5	17.3	24.8
125"***	120.3	108.9	61.3	18.9	17.8	18.0	25.6
130"***	123.4	113.3	63.7	20.2	19.1	18.7	26.3
134"***	126.0	116.8	65.7	21.3	20.2	19.3	26.8

* Based on an image 30 inches from the floor; if the image is lower, the minimum ceiling height is reduced by the corresponding measurement.

***Interactive features not supported for images larger than 100".

Measurements in Centimeters for 16:9

Diagonal image size (S)	Min. ceiling height*	Image width (w)	Image height (h)	Min. projection distance (a)	Sliderscale mark (b)	Distance from top of image to bottom wall plate holes (c)	Distance from top of image to temporary wall plate hole (d)
70"	217.3	155.0	87.2	11.1	17.0	26.0	45.2
75"	225.3	166.0	93.4	14.4	20.3	27.8	47.0
80"	233.3	177.1	99.6	17.8	23.7	29.6	48.8
85"	241.2	188.2	105.8	21.2	27.0	31.3	50.6
90"	249.3	199.2	112.1	24.5	21.7	33.1	52.4
95"	257.3	210.3	118.3	27.9	25.1	34.9	54.1
100"	265.3	221.4	124.5	31.2	28.4	36.7	55.9
105"***	273.4	232.4	130.8	34.6	31.8	38.5	57.7
110"***	281.4	243.5	137.0	38.0	35.1	40.3	59.5
115"***	289.4	254.6	143.2	41.3	38.5	42.1	61.3
120"***	297.4	265.7	149.4	44.7	41.9	43.9	63.1
125"***	305.4	276.7	155.7	48.0	45.2	45.6	64.9
130"***	313.4	287.8	161.9	51.4	48.6	47.4	66.7
134"***	319.9	296.6	166.9	54.1	51.3	48.9	68.1

* Based on an image 76.2 cm from the floor; if the image is lower, the minimum ceiling height is reduced by the corresponding measurement.

***Interactive features not supported for images larger than 100".

BrightLink EB-760Wi and PowerLite EB-760W

Measurements in Inches for 4:3

Diagonal image size (S)	Min. ceiling height*	Image width (w)	Image height (h)	Min. projection distance (a)	Sliderscale mark (b)	Distance from top of image to bottom wall plate holes (c)	Distance from top of image to temporary wall plate hole (d)
61"	85.6	48.8	36.6	3.6	5.9	8.0	15.6
65"	88.5	52.0	39.0	4.8	7.1	8.5	16.1
70"	92.1	56.0	42.0	6.3	8.5	9.1	16.7
75"	95.8	60.0	45.0	7.7	10.0	9.8	17.3
80"	99.4	64.0	48.0	9.2	11.5	10.4	18.0
85"	103.0	68.0	51.0	10.6	12.9	11.0	18.6
90"	106.6	72.0	54.0	12.1	10.9	11.6	19.2
95"	110.3	76.0	57.0	13.5	12.4	12.2	19.8
100"	113.9	80.0	60.0	15.0	13.9	12.9	20.4
105"***	117.5	84.0	63.0	16.4	15.3	13.5	21.1
110"***	121.1	88.0	66.0	17.9	16.8	14.1	21.7
115"***	124.8	92.0	69.0	19.3	18.2	14.8	22.3
120"***	128.4	96.0	72.0	20.8	19.7	15.4	23.0

* Based on an image 30 inches from the floor; if the image is lower, the minimum ceiling height is reduced by the corresponding measurement.

***Interactive features not supported for images larger than 100".

Measurements in Centimeters for 4:3

Diagonal image size (S)	Min. ceiling height*	Image width (w)	Image height (h)	Min. projection distance (a)	Sliderscale mark (b)	Distance from top of image to bottom wall plate holes (c)	Distance from top of image to temporary wall plate hole (d)
61"	217.4	124.0	93.0	9.2	15.1	20.3	39.6
65"	224.8	132.1	99.1	12.2	18.0	21.6	40.8
70"	234.0	142.2	106.7	15.9	21.7	23.2	42.4
75"	243.2	152.4	114.3	19.6	25.4	24.8	44.0
80"	252.4	162.6	121.9	23.3	29.1	26.4	45.6
85"	261.6	172.7	129.5	27.0	32.8	28.0	47.2
90"	270.8	182.9	137.2	30.7	27.8	29.5	48.8
95"	280.0	193.0	144.8	34.4	31.5	31.1	50.4
100"	289.2	203.2	152.4	38.0	35.2	32.7	51.9
105"***	298.4	213.4	160.0	41.7	38.9	34.3	53.5
110"***	307.6	223.5	167.6	45.4	42.6	35.9	55.1
115"***	316.9	233.7	175.3	49.1	46.3	37.5	56.7
120"***	326.1	243.8	182.9	52.8	50.0	39.1	58.3

* Based on an image 76.2 cm from the floor; if the image is lower, the minimum ceiling height is reduced by the corresponding measurement.

***Interactive features not supported for images larger than 100".

BrightLink EB-725Wi and PowerLite EB-725W

Measurements in Inches for 16:10

Diagonal image size (S)	Min. ceiling height*	Image width (w)	Image height (h)	Min. projection distance (a)	Sliderscale mark (b)	Distance from top of image to bottom wall plate holes (c)	Distance from top of image to temporary wall plate hole (d)
65"	83.0	55.1	34.4	2.7	5.0	7.6	15.1
70"	95.4	59.3	37.1	3.9	6.3	17.3	15.7
75"	89.4	63.6	39.8	5.2	7.5	8.7	16.2
80"	92.6	67.8	42.4	6.4	8.7	9.2	16.8
85"	95.8	72.1	45.0	7.6	9.9	9.8	17.3
90"	99.0	76.3	47.7	8.8	7.7	10.3	17.9
95"	102.2	80.6	50.4	10.0	8.9	10.9	18.4
100"	105.4	84.8	53.0	11.2	10.1	11.4	19.0
105"***	108.6	89.1	55.7	12.4	11.3	12.0	19.5
110"***	111.8	93.3	58.3	13.7	12.6	12.5	20.1
115"***	115.0	97.5	60.9	14.9	13.8	13.1	20.6
120"***	118.2	101.7	63.6	16.1	15.0	13.6	21.2

* Based on an image 30 inches from the floor; if the image is lower, the minimum ceiling height is reduced by the corresponding measurement.

**Interactive features not supported for images larger than 100".

Measurements in Centimeters for 16:10

Diagonal image size (S)	Min. ceiling height*	Image width (w)	Image height (h)	Min. projection distance (a)	Sliderscale mark (b)	Distance from top of image to bottom wall plate holes (c)	Distance from top of image to temporary wall plate hole (d)
65"	210.9	140.0	87.5	6.9	12.8	19.2	38.4
70"	219.0	150.8	94.2	10.0	15.9	20.6	39.8
75"	227.2	161.6	101.0	13.1	19.0	22.0	41.2
80"	235.3	172.3	107.7	16.2	22.0	23.4	42.6
85"	243.4	183.0	114.4	19.2	25.1	24.8	44.0
90"	251.6	193.9	121.2	22.3	19.5	26.2	45.4
95"	259.7	204.6	127.9	25.4	22.6	27.6	46.8
100"	267.8	215.4	134.6	28.5	25.7	29.0	48.2
105"***	276.0	226.2	141.4	31.6	28.8	30.4	49.6
110"***	284.1	237.0	148.1	34.7	31.9	31.8	51.0
115"***	292.2	247.7	154.8	37.8	35.0	33.2	52.4
120"***	300.3	258.4	161.5	40.9	38.1	34.6	53.8

* Based on an image 76.2 cm from the floor; if the image is lower, the minimum ceiling height is reduced by the corresponding measurement.

**Interactive features not supported for images larger than 100".

BrightLink EB-725Wi and PowerLite EB-725W

Measurements in Inches for 16:9

Diagonal image size (S)	Min. ceiling height*	Image width (w)	Image height (h)	Min. projection distance (a)	Sliderscale mark (b)	Distance from top of image to bottom wall plate holes (c)	Distance from top of image to temporary wall plate hole (d)
65"	82.4	56.6	31.9	3.1	5.5	9.5	17.1
70"	85.6	61.0	34.3	4.4	6.7	10.2	17.8
75"	88.7	65.4	36.8	5.7	8.0	10.9	18.5
80"	91.9	69.7	39.2	6.9	9.2	11.7	19.2
85"	95.0	74.1	41.7	8.1	10.5	12.4	19.9
90"	98.2	78.4	44.1	9.4	8.3	13.0	20.6
95"	101.3	82.8	46.6	10.7	9.5	13.7	21.3
100"	104.5	87.2	49.0	11.9	10.8	14.4	22.0
105"***	107.7	91.5	51.5	13.1	12.0	15.2	22.7
110"***	110.8	95.9	53.9	14.4	13.3	15.9	23.4
115"***	114.0	100.2	56.4	15.7	14.5	16.6	24.1

* Based on an image 30 inches from the floor; if the image is lower, the minimum ceiling height is reduced by the corresponding measurement.

***Interactive features not supported for images larger than 100".

Measurements in Centimeters for 16:9

Diagonal image size (S)	Min. ceiling height*	Image width (w)	Image height (h)	Min. projection distance (a)	Sliderscale mark (b)	Distance from top of image to bottom wall plate holes (c)	Distance from top of image to temporary wall plate hole (d)
65"	209.3	143.9	80.9	8.0	13.9	24.2	43.4
70"	217.4	155.0	87.2	11.2	17.1	26.0	45.2
75"	225.4	166.0	93.4	14.4	20.2	27.8	47.0
80"	233.4	177.1	99.6	17.5	23.4	29.6	48.8
85"	241.4	188.2	105.8	20.7	26.6	31.4	50.6
90"	249.4	199.2	112.1	23.9	21.1	33.1	52.4
95"	257.4	210.3	118.3	27.1	24.2	34.9	54.1
100"	265.4	221.4	124.5	30.2	27.4	36.7	55.9
105"***	273.5	232.5	130.8	33.4	30.6	38.5	57.7
110"***	281.5	243.6	137.0	36.6	33.8	40.3	59.5
115"***	289.5	254.6	143.2	39.8	36.9	42.1	61.3

* Based on an image 76.2 cm from the floor; if the image is lower, the minimum ceiling height is reduced by the corresponding measurement.

***Interactive features not supported for images larger than 100".

BrightLink EB-725Wi and PowerLite EB-725W

Measurements in Inches for 4:3

Diagonal image size (S)	Min. ceiling height*	Image width (w)	Image height (h)	Min. projection distance (a)	Sliderscale mark (b)	Distance from top of image to bottom wall plate holes (c)	Distance from top of image to temporary wall plate hole (d)
60"	84.9	48.0	36.0	3.4	5.7	7.9	15.4
65"	88.5	52.0	39.0	4.8	7.1	8.5	16.1
70"	92.1	56.0	42.0	6.2	8.5	9.1	16.7
75"	95.8	60.0	45.0	7.6	9.9	9.8	17.3
80"	99.4	64.0	48.0	8.9	11.3	10.4	18.0
85"	103.0	68.0	51.0	10.3	12.6	11.0	18.6
90"	106.6	72.0	54.0	11.7	10.6	11.6	19.2
95"	110.3	76.0	57.0	13.1	12.0	12.2	19.8
100"	113.9	80.0	60.0	14.4	13.3	12.9	20.4
105"	117.5	84.0	63.0	15.8	14.7	13.5	21.1

* Based on an image 30 inches from the floor; if the image is lower, the minimum ceiling height is reduced by the corresponding measurement.

Measurements in Centimeters for 4:3

Diagonal image size (S)	Min. ceiling height*	Image width (w)	Image height (h)	Min. projection distance (a)	Sliderscale mark (b)	Distance from top of image to bottom wall plate holes (c)	Distance from top of image to temporary wall plate hole (d)
60"	215.6	121.9	91.4	8.7	14.6	20.0	39.2
65"	224.9	132.1	99.1	12.2	18.1	21.6	40.8
70"	234.1	142.2	106.7	15.7	21.6	23.2	42.4
75"	243.3	152.4	114.3	19.2	25.1	24.8	44.0
80"	252.5	162.6	121.9	22.7	28.6	26.4	45.6
85"	261.7	172.7	129.5	26.2	32.1	28.0	47.2
90"	270.9	182.9	137.2	29.7	26.9	29.5	48.8
95"	280.1	193.1	144.8	33.2	30.4	31.1	50.4
100"	289.3	203.2	152.4	36.7	33.9	32.7	51.9
105"	298.5	213.3	160.0	40.2	37.4	34.3	53.5

* Based on an image 76.2 cm from the floor; if the image is lower, the minimum ceiling height is reduced by the corresponding measurement.

PowerLite EB-720

Measurements in Inches for 4:3

Diagonal image size (S)	Min. ceiling height*	Image width (w)	Image height (h)	Min. projection distance (a)	Sliderscale mark (b)	Distance from top of image to bottom wall plate holes (c)	Distance from top of image to temporary wall plate hole (d)
65"	87.1	52.0	39.0	4.0	5.9	7.0	14.6
70"	90.6	56.0	42.0	5.3	7.6	7.6	15.1
75"	94.1	60.0	45.0	6.6	8.9	8.1	15.6
80"	97.6	64.0	48.0	7.9	10.2	8.6	16.1
85"	101.1	68.0	51.0	9.2	11.5	9.1	16.7
90"	104.6	72.0	54.0	10.5	9.4	9.6	17.2
95"	108.1	76.0	57.0	11.8	10.7	10.1	17.7
100"	111.6	80.0	60.0	13.1	12.0	10.6	18.2
105"	115.1	84.0	63.0	14.4	13.3	11.1	18.7
110"	118.6	88.0	66.0	15.7	14.6	11.7	19.2

* Based on an image 30 inches from the floor; if the image is lower, the minimum ceiling height is reduced by the corresponding measurement.

Measurements in Centimeters for 4:3

Diagonal image size (S)	Min. ceiling height*	Image width (w)	Image height (h)	Min. projection distance (a)	Sliderscale mark (b)	Distance from top of image to bottom wall plate holes (c)	Distance from top of image to temporary wall plate hole (d)
65"	221.2	132.1	99.1	10.1	15.0	17.9	37.1
70"	230.1	142.2	106.7	13.4	19.3	19.2	38.4
75"	239.0	152.4	114.3	16.7	22.6	20.5	39.7
80"	247.9	162.6	121.9	20.0	25.9	21.8	41.0
85"	256.8	172.7	129.5	23.3	29.2	23.1	42.3
90"	265.8	182.9	137.2	26.7	23.8	24.4	43.6
95"	274.7	193.1	144.8	30.0	27.2	25.7	44.9
100"	283.6	203.2	152.4	33.3	30.5	27.0	46.2
105"	292.5	213.3	160.0	36.6	33.8	28.3	47.5
110"	301.4	223.5	167.6	39.9	37.1	29.6	48.8

* Based on an image 76.2 cm from the floor; if the image is lower, the minimum ceiling height is reduced by the corresponding measurement.

PowerLite EB-720

Measurements in Inches for 16:9

Diagonal image size (S)	Min. ceiling height*	Image width (w)	Image height (h)	Min. projection distance (a)	Sliderscale mark (b)	Distance from top of image to bottom wall plate holes (c)	Distance from top of image to temporary wall plate hole (d)
60"	82.4	52.3	29.4	4.1	6.4	12.0	19.6
65"	85.8	56.6	21.9	5.5	7.8	13.0	20.5
70"	89.2	61.0	34.3	6.9	9.2	13.9	21.5
75"	92.7	65.4	36.8	8.3	10.6	14.9	22.4
80"	96.1	69.7	39.2	9.8	12.1	15.9	23.4
85"	99.5	74.1	41.7	11.2	13.5	16.8	24.4
90"	102.9	78.4	44.1	12.6	11.5	17.8	25.4
95"	106.3	82.8	46.6	14.0	12.9	18.7	26.3
100"	109.7	87.2	49.0	15.4	14.3	19.7	27.3

* Based on an image 30 inches from the floor; if the image is lower, the minimum ceiling height is reduced by the corresponding measurement.

Measurements in Centimeters for 16:9

Diagonal image size (S)	Min. ceiling height*	Image width (w)	Image height (h)	Min. projection distance (a)	Sliderscale mark (b)	Distance from top of image to bottom wall plate holes (c)	Distance from top of image to temporary wall plate hole (d)
60"	209.3	132.8	74.7	10.3	16.2	30.4	49.7
65"	218.0	143.8	80.9	13.9	19.8	32.9	52.1
70"	226.7	155.0	87.2	17.6	23.4	35.3	54.6
75"	235.4	166.0	93.4	21.2	27.0	37.8	57.0
80"	244.1	177.1	99.6	24.8	30.7	40.3	59.5
85"	252.7	188.2	105.8	28.4	34.3	42.7	61.9
90"	261.5	199.2	112.1	32.0	29.2	45.2	64.4
95"	270.1	210.3	118.3	35.6	32.8	47.6	66.8
100"	278.8	221.4	124.5	39.2	36.4	50.1	69.3

* Based on an image 76.2 cm from the floor; if the image is lower, the minimum ceiling height is reduced by the corresponding measurement.

PowerLite EB-720

Measurements in Inches for 16:10

Diagonal image size (S)	Min. ceiling height*	Image width (w)	Image height (h)	Min. projection distance (a)	Sliderscale mark (b)	Distance from top of image to bottom wall plate holes (c)	Distance from top of image to temporary wall plate hole (d)
60"	82.9	50.8	31.8	3.6	5.9	10.1	17.6
65"	86.3	55.1	34.4	5.0	7.3	10.9	18.5
70"	89.8	59.3	37.1	6.4	8.7	11.7	19.3
75"	93.3	63.6	39.8	7.8	10.1	12.5	20.1
80"	96.7	67.8	42.4	9.1	11.5	13.3	20.9
85"	100.2	72.1	45.0	10.5	12.8	14.1	21.7
90"	103.6	76.3	47.7	11.9	10.8	14.9	22.5
95"	107.1	80.6	50.4	13.3	12.2	15.7	23.3
100"	110.5	84.8	53.0	14.7	13.5	16.5	24.1

* Based on an image 30 inches from the floor; if the image is lower, the minimum ceiling height is reduced by the corresponding measurement.

Measurements in Centimeters for 16:10

Diagonal image size (S)	Min. ceiling height*	Image width (w)	Image height (h)	Min. projection distance (a)	Sliderscale mark (b)	Distance from top of image to bottom wall plate holes (c)	Distance from top of image to temporary wall plate hole (d)
60"	210.6	129.3	80.8	9.2	15.0	25.6	44.8
65"	219.3	140.0	87.5	12.7	18.6	27.6	46.9
70"	228.1	150.7	94.2	16.2	22.1	29.7	48.9
75"	237.0	161.6	101.0	19.7	25.6	31.8	51.0
80"	245.7	172.3	107.7	23.2	29.1	33.8	53.0
85"	254.5	183.0	114.4	26.7	32.6	35.9	55.1
90"	263.3	193.9	121.2	30.2	27.4	37.9	57.1
95"	272.1	204.6	127.9	33.7	30.9	40.0	59.2
100"	280.8	215.4	134.6	37.3	34.4	42.0	61.2

* Based on an image 76.2 cm from the floor; if the image is lower, the minimum ceiling height is reduced by the corresponding measurement.

5 Installing the Projector

Make sure to follow the steps below to install the wall mount. If you ignore these steps, the wall mount could fall and cause personal injury or property damage.

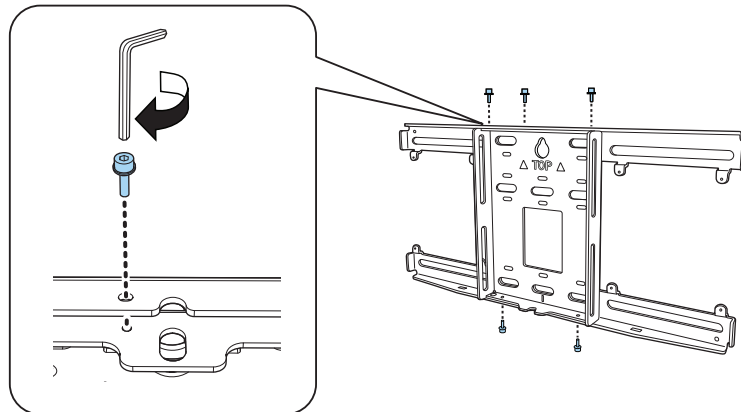
Warning

- ❑ **When you mount the projector on the wall with the wall mount, the wall requires enough strength to hold the projector and the wall mount, as well as the Control Pad and the Touch Unit, if applicable.**
This wall mount should be installed on a concrete wall. Confirm the weight of the projector and the wall mount before installation, and maintain the strength of the wall. If the wall is not strong enough, reinforce the wall before installation.
- ❑ **The maximum combined weight of the projector and the wall mount is about 41.7 lb (18.9 kg).**
- ❑ **Do not hang cables over the wall mount.**
- ❑ **Install the wall mount so that it can sufficiently support the weight of the projector and wall mount, and resist any horizontal vibration. Use M10 or 3/8 inch nuts and bolts and make sure to use appropriate wall anchors for your wall type. Nuts and bolts smaller than M10 or 3/8 inch could cause the wall mount to fall.**
- ❑ **Epson accepts no responsibility for any damage or injury caused by lack of wall strength or inadequate installation.**

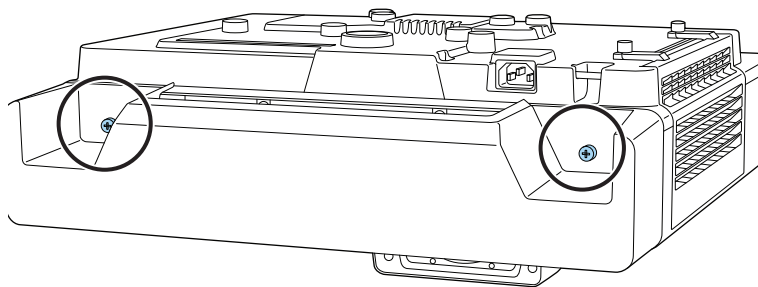
Assemble the parts

1. Assemble the wall plate.

Assemble the wall plate and two frames into one unit, and secure them with the M4 × 12 mm hexagon socket head cap bolts (×5) supplied.

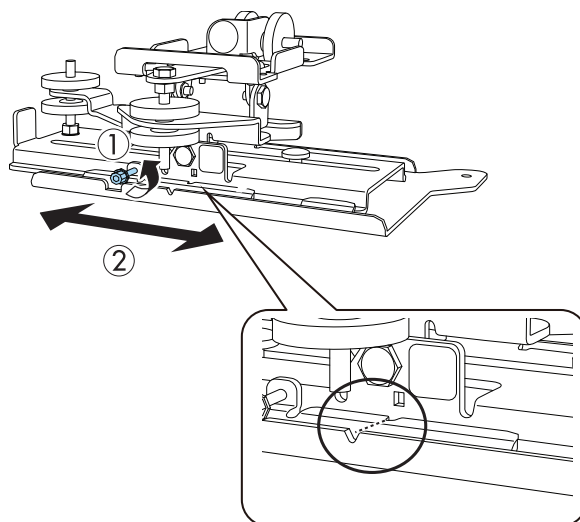


2. **BrightLink 1480Fi/1480Fi+/1485Fi/1485Fi+ and PowerLite EB-800F/EB-805F only:** Loosen the two screws with a cross-head screwdriver and remove the cable cover from the projector.



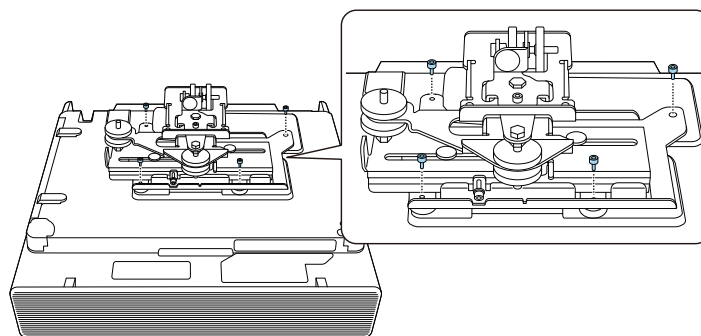
3. Align the 3-axis adjustment unit with the slide plate's alignment mark.

If the 3-axis adjustment unit is not aligned, loosen the M4 × 12 mm hexagon socket head cap bolt (①) and correct the alignment (②). Then, tighten the M4 × 12 mm hexagon socket head cap bolt.



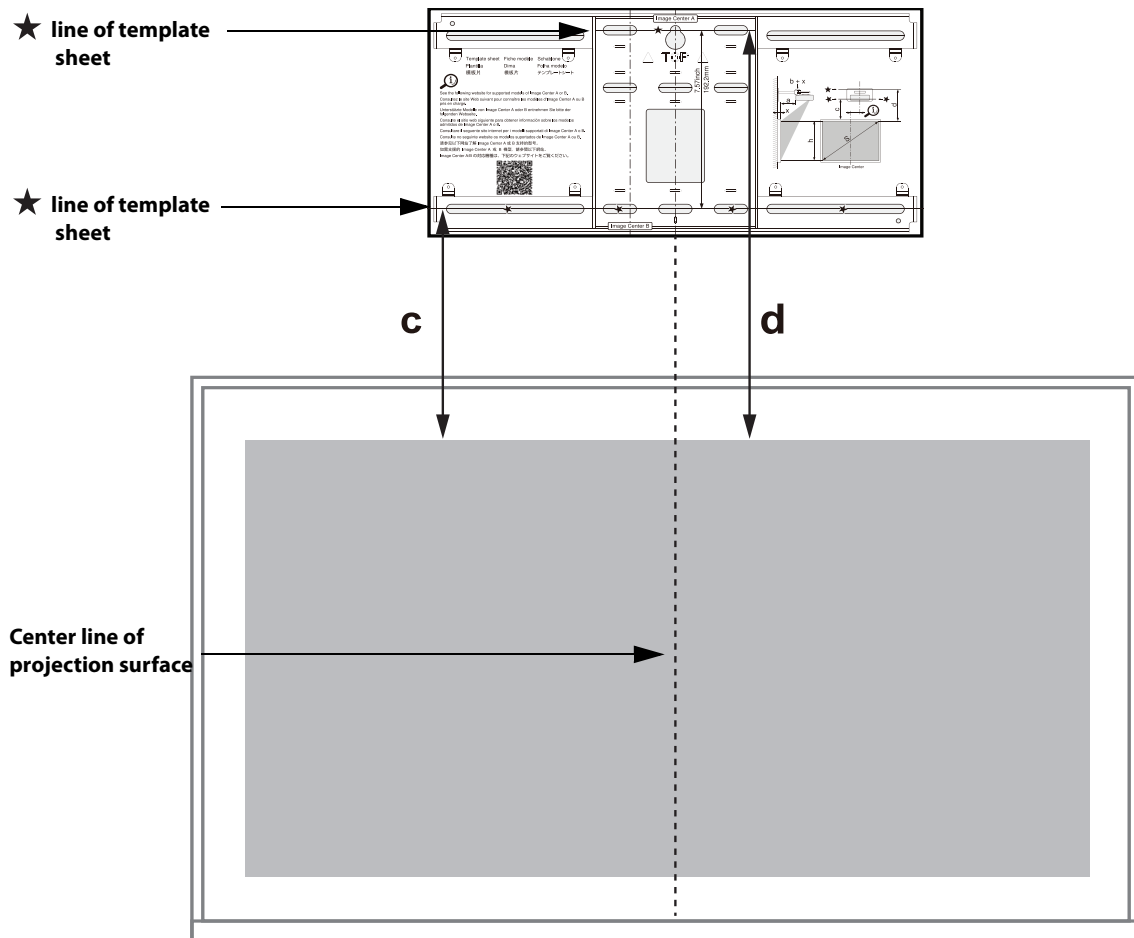
4. Attach the 3-axis adjustment unit and slide plate to the projector.

Attach the 3-axis adjustment unit and slide plate to the projector using the M4 × 12 mm hexagon socket head cap bolts (×4) supplied.



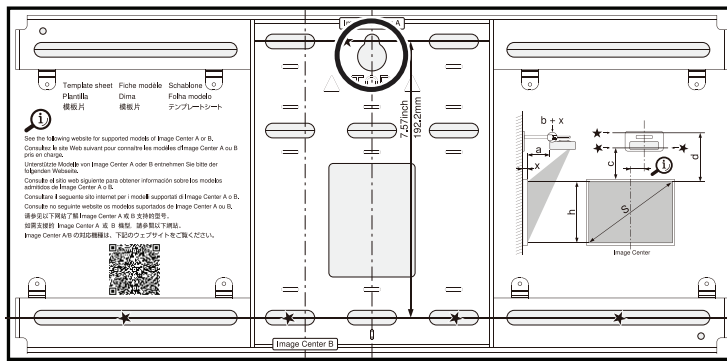
2 Install the wall plate on the wall

1. Determine the template sheet position and attach it to the wall.
 - Confirm where the beams or studs are within the wall that can support the projector and wall mount.
 - From the projection distance table, confirm the screen size (S), the distance between the projection image and wall plate bottom holes (c), and the distance between the projection image and temporary wall plate hole (d).
 - **BrightLink 1480Fi/1480Fi+/1485Fi/1485Fi+ and PowerLite EB-800F/EB-805F:** Align the center of the projection surface (vertical) with Image Center A (vertical) on the template sheet.
 - **BrightLink EB-725Wi/EB-735Fi/EB-760Fi/EB-770Fi and PowerLite EB-720/EB-725W/EB-750F/EB-755F/EB-760W/EB-770F/EB-775F:** Align the center of the projection surface (vertical) with Image Center B (vertical) on the template sheet.
 - Align the ★ lines (horizontal) on the template with the height of (c) and (d).

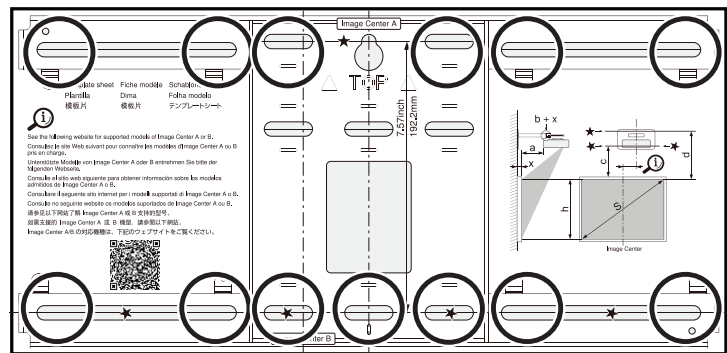


If you want to hide the projector power plug under the wall plate cover, make sure the power outlet is located in the empty space to the left or the right of the wall plate.

2. Drive an M10 screw (not included) into the temporary wall plate hole.
Leave at least 0.2 inch (6 mm) between the screw head and the wall.

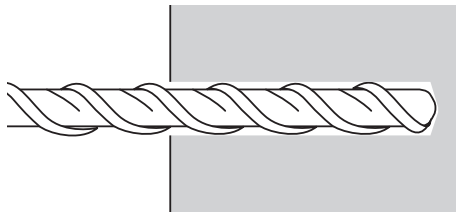



3. Determine the position of the wall plate's mounting holes.
Use at least four mounting holes at the top, bottom, left, and right for proper balance.



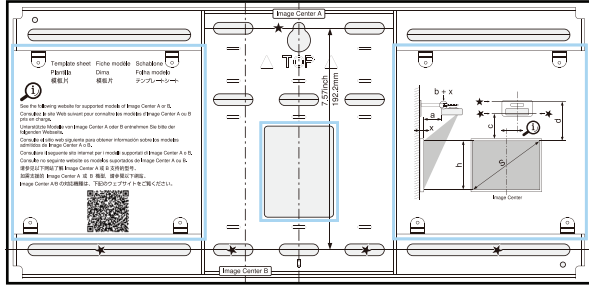
4. Drill holes of the following diameters and depths.

Drill diameter	3/8 inch anchor bolts: 0.39 in. (10 mm) M10 anchor bolts: 0.41 in. (10.5 mm)
Pilot hole depth	1.8 in. (45 mm)
Anchor hole depth	1.6 in. (40 mm)



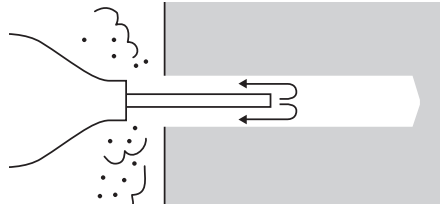


When routing cables to the projector through a wall, you can drill routing holes within the areas shown below. When installing a mini-PC, check the position at which the mini-PC plate will be installed before drilling the cable routing holes.

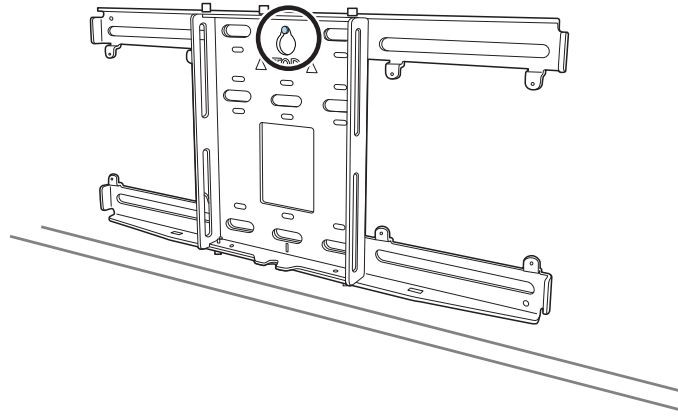


5. Remove the template sheet.

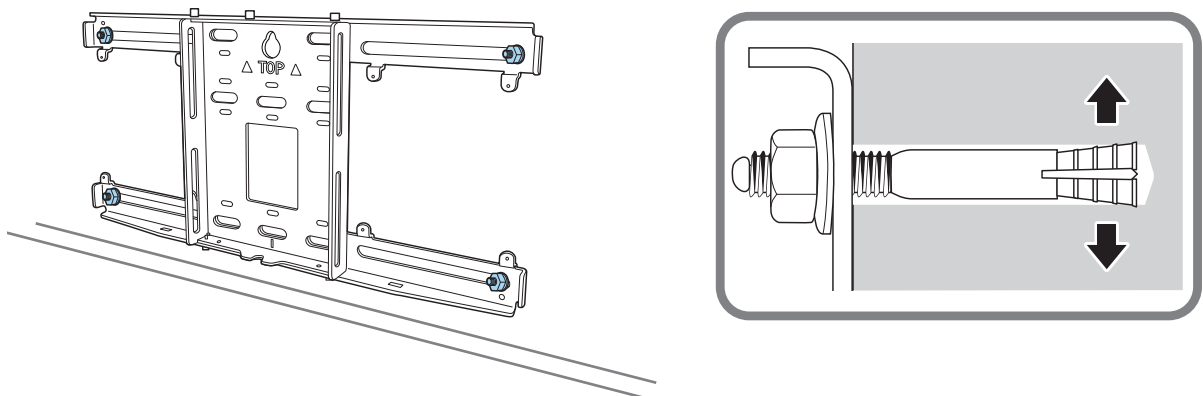
6. If necessary, use a device such as a dust pump to clean out concrete dust from the hole.



7. Position the wall plate on the temporary wall plate screw.



8. Insert commercially available M10 × 60 mm or 3/8 inch anchors into the holes and secure them in place.



9. Remove the temporary wall plate screw.

3 Determine the projection distance and pull out the mount arm slider

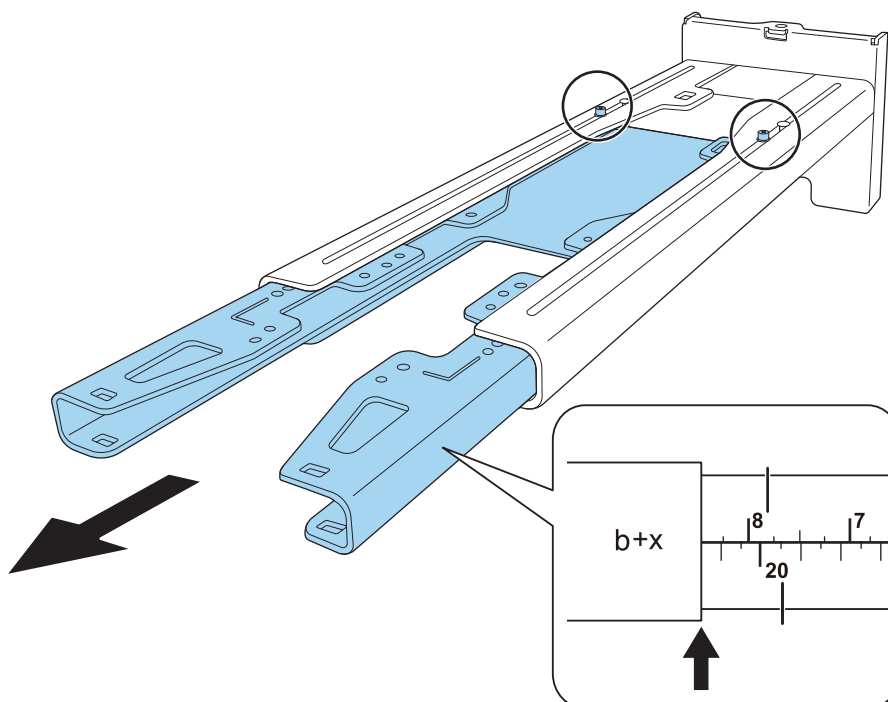
1. Using the tables on pages 29 to 51, check the number for the slider measure (b).
2. Loosen the M4 × 12 mm hexagon socket head cap bolts (×2), and then pull out the slider on the wall mount.

Align the slider with the measure (b+x) that is equal to the slider measure (b) plus the thickness of the projection screen (x).

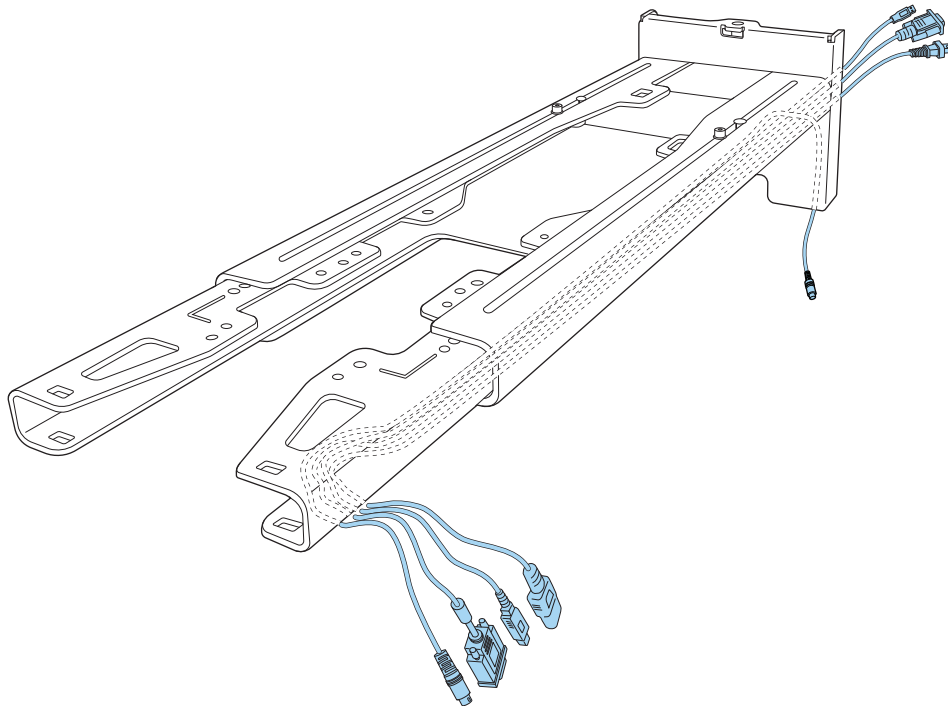


The measurement for (b+x) should not exceed 20.98 inches (533 mm). If you are using the touch unit bracket, (x) should be between 0.59 to 2 inches (15 to 50 mm).

For an illustration of how to measure the thickness of the projection screen (x), see page 27.



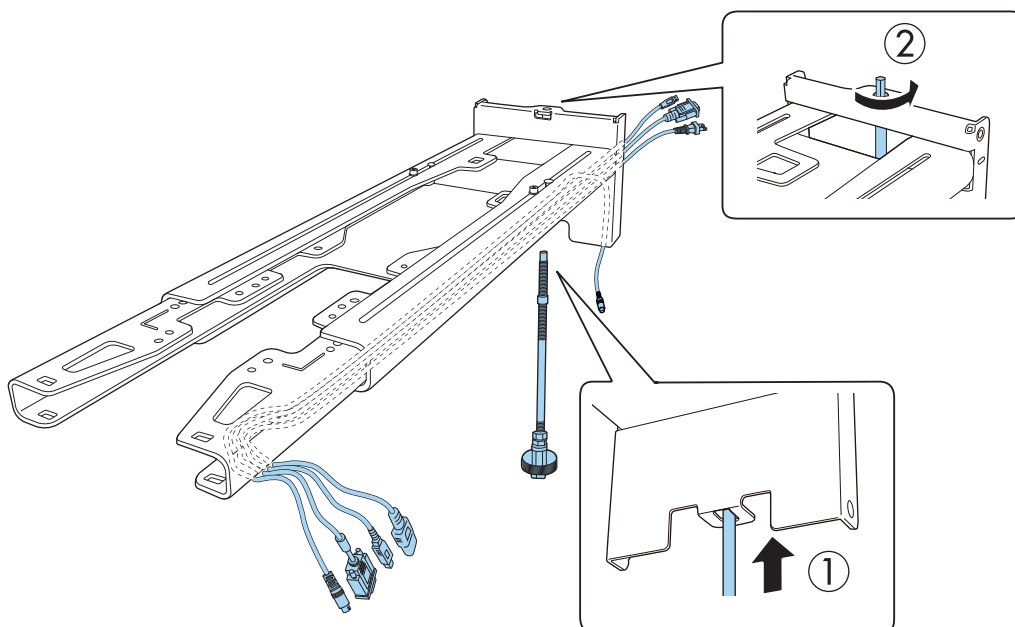
4 Route the cables through the wall mount arm



For BrightLink projectors with a Touch Unit: Make sure to route the Touch Unit connection cable through the wall mount arm. Route the Touch Unit connection cable so that the end that connects to the Touch Unit appears from the lower part of the wall mount as shown above.

5 Attach the mount arm to the wall plate

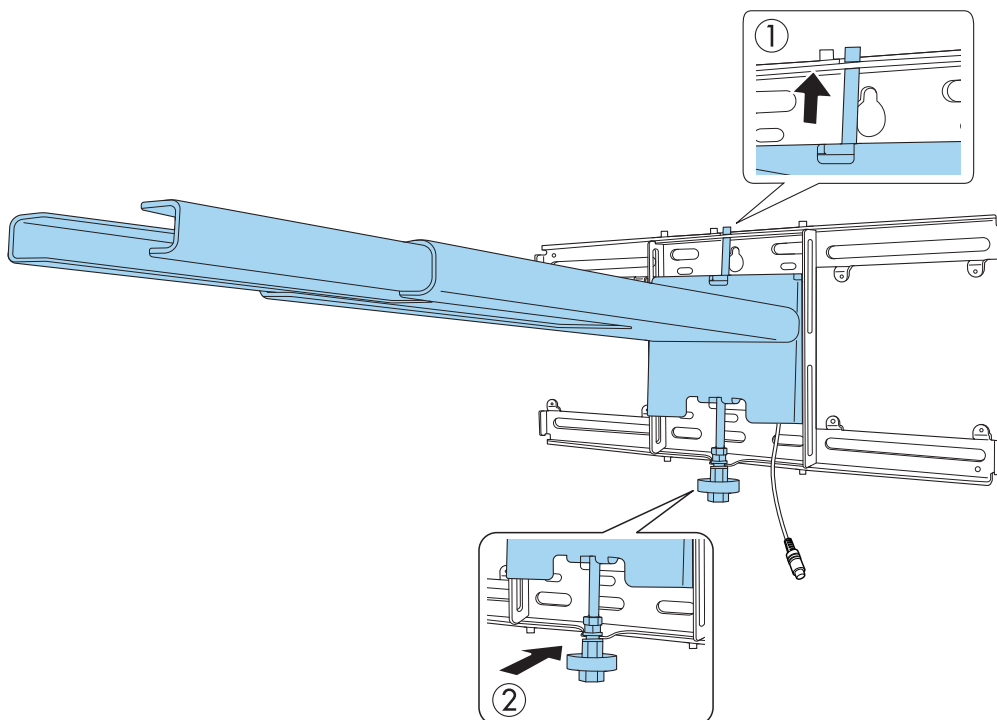
1. Insert the hexagonal shaft into the wall mount (①).
2. Insert and turn the hexagonal shaft at the top of the mount arm into the slot on the wall plate (②).



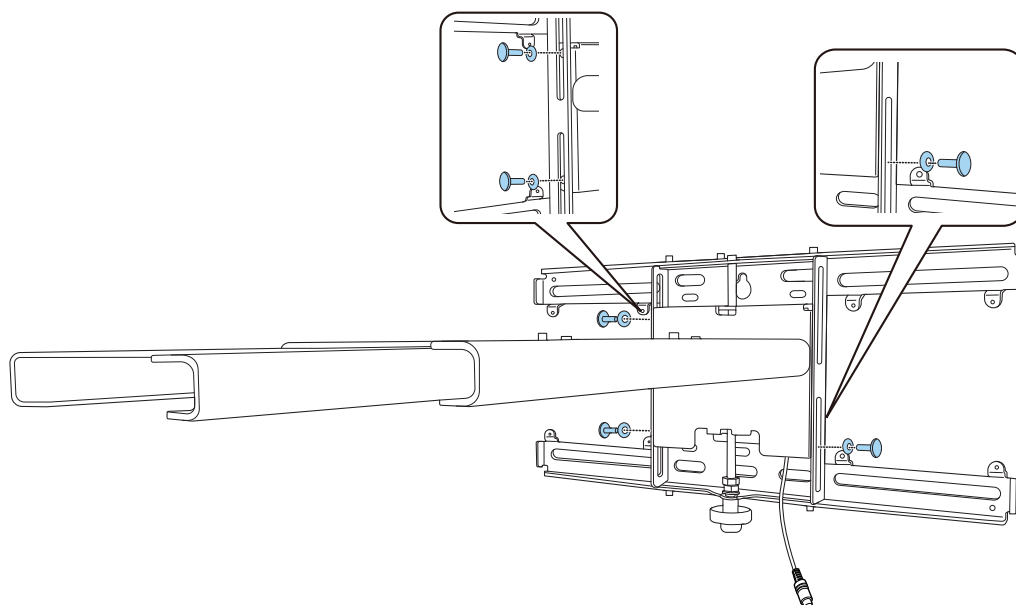
3. Insert the hexagonal shaft into the slot at the top of the wall plate (①).
4. Insert the hexagonal shaft into the slot at the bottom of the wall plate (②).

Caution

- ❑ Make sure the Touch Unit connection cable is not wired into the wall with the other cables.
- ❑ Take care not to trap the cables between the mount arm and wall plate.



5. Secure the mount arm to the wall plate by tightening the supplied M6 × 20 mm cross recessed head shoulder screws (×3) with the #3 cross-head screwdriver.



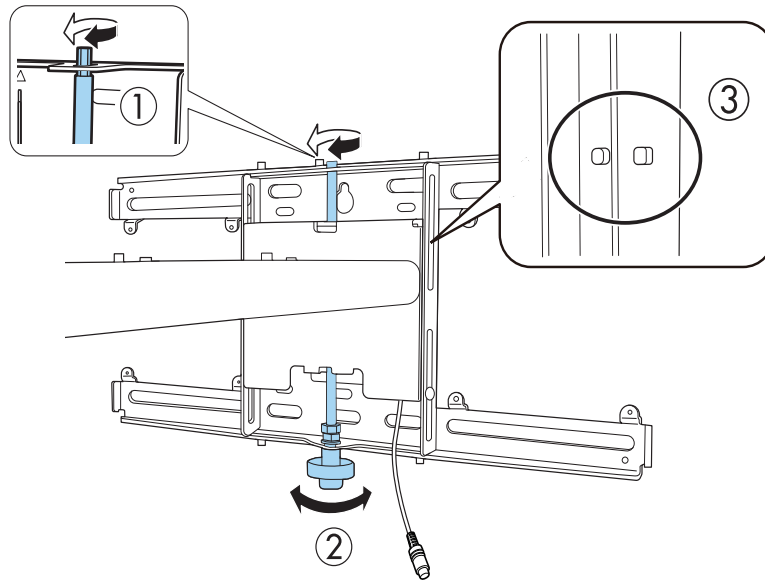
Make sure you use the included plastic washers. If you don't use the plastic washers, you may damage the M8 hexagon bolt as you adjust the vertical slide position.

6 Adjust the vertical slide position of the arm

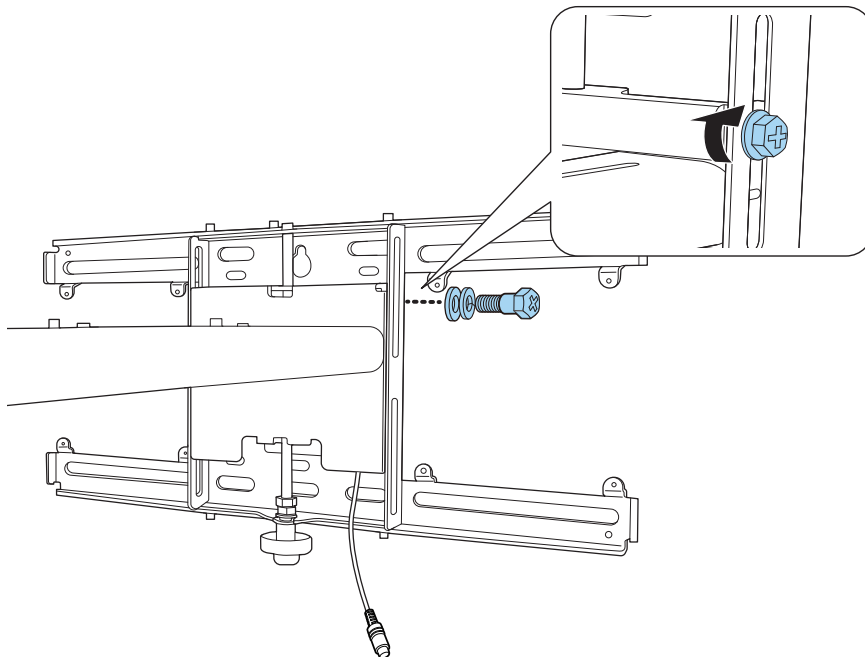
1. Adjust the vertical slide with the M8 hexagon bolt at the bottom of the wall mount (②), or the hexagonal shaft at the top of the wall mount (①). Start by aligning the notch on the arm with the alignment mark on the wall plate as shown below (③).

Tightening the M8 hexagon bolt lowers the wall mount, and loosening the bolt raises it (②).

Tightening the hexagonal shaft raises the wall mount, and loosening the shaft lowers it (①).







2. Secure the wall mount with the M6 × 20 mm hexagon shoulder bolt.

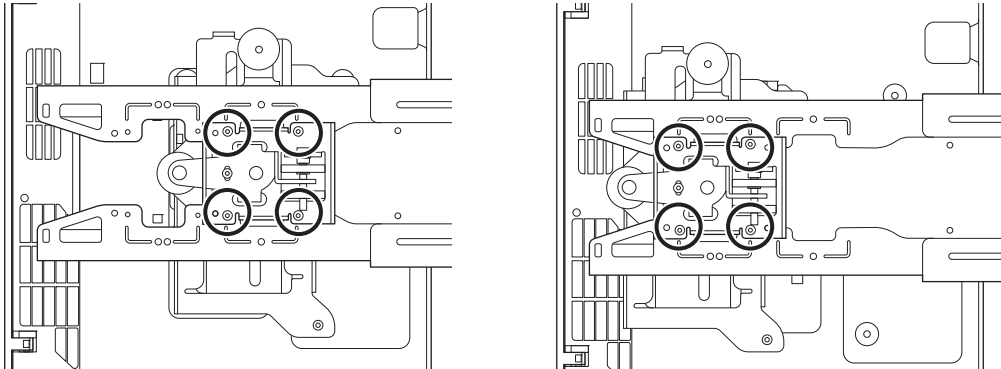


7 Attach the projector to the wall mount

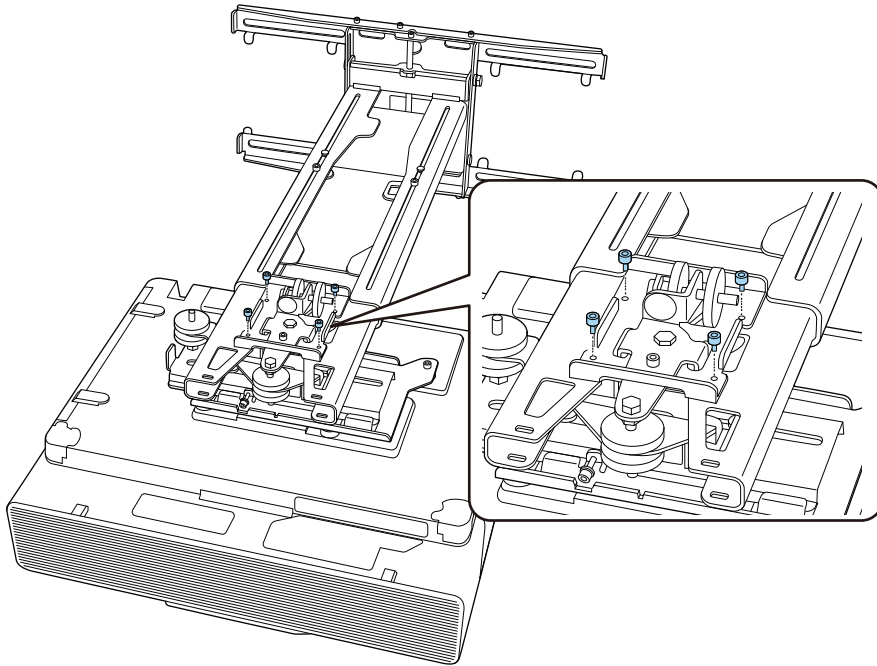
Attach the 3-axis adjustment unit with the projector to the wall mount arm.

Decide which position you want to use for installing the 3-axis adjustment unit:

- **BrightLink 1480Fi/1480Fi+/1485Fi/1485Fi+ and PowerLite EB-800F/EB-805F:** Mount it at the  stamp when the image is less than 80 inches diagonally, or at the  stamp when the projected image is 80 inches or more diagonally.
- **BrightLink EB-725Wi/EB-735Fi/EB-760Wi/EB-770Fi and PowerLite EB-720/EB-725W/EB-750F/EB-755F/EB-760W/EB-770F/EB-775F:** Mount it at the  stamp when the image is less than 90 inches diagonally, or at the  stamp when the projected image is 90 inches or more diagonally.



- Tighten the M4 × 12 mm hexagon socket head cap bolts (x4) supplied to install the 3-axis adjustment unit.



Warning

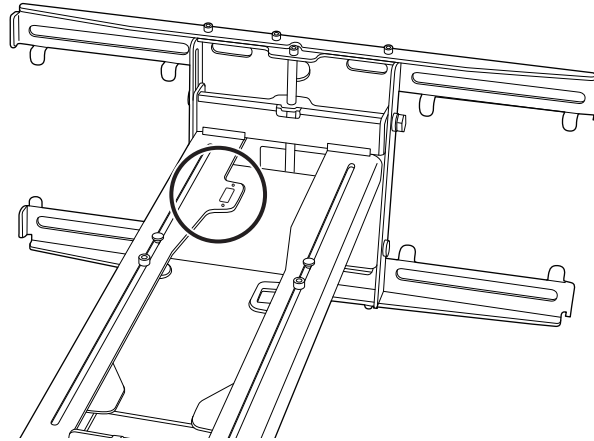
When installing or adjusting the wall mount, do not use adhesives to prevent the screws from loosening and do not use lubricants or oils on the projector slide plate. This may cause the case to crack and the projector to fall, resulting in personal injury or property damage.



Connect the power cord and other cables to the projector

Connect any necessary cables such as the computer cable, HDMI cable, USB cable, Touch Unit connection cable (if applicable), Control Pad cables (if applicable), and power cord to the projector. See your projector's online *User Guide* for detailed connection information.

Use M4 screws (not included) to secure any additional devices or accessories, such as external tuners, to the mounting point on the wall mount.



If you are planning to run the cables inside the wall, make sure you follow all local electrical codes. If you are running the cables outside the wall, use a cable management system to keep the cables from obstructing the image. An optional cable management system is available from Epson (part number ELPCK01).

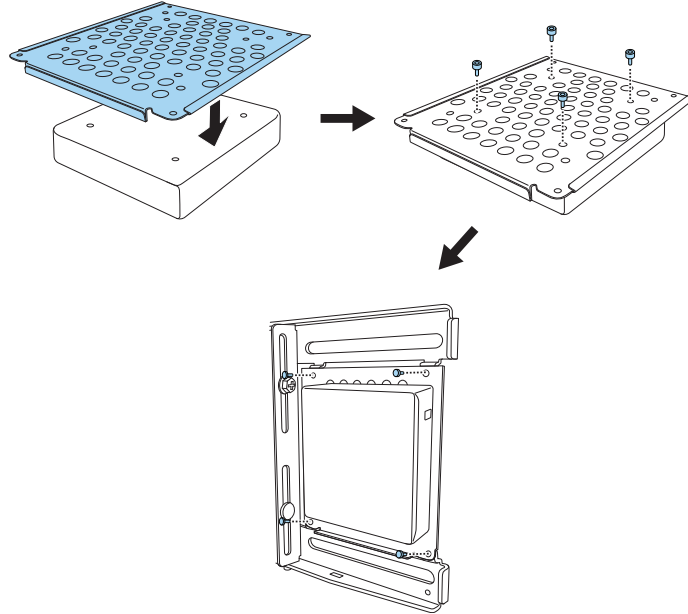
9 Attach a Mini PC or Stick PC if necessary

You can secure a Mini PC or Stick PC to the left or the right side of the wall plate.



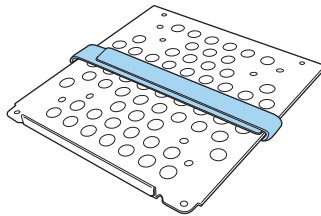
Attach the Mini PC so that the air exhaust vents of the PC are not blocked. Install the PC so that the air exhaust vents are at the top and the air intake vents are at the bottom.

If your Mini PC has screw holes that line up with the holes in the Mini PC plate, you can secure it with the M3 × 6 mm screws (x4) supplied.

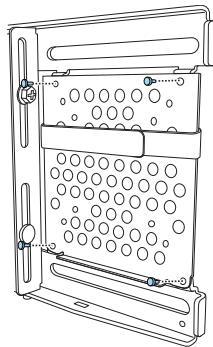


If your Mini PC does not have screw holes or they do not line up with the holes on the Mini PC plate, you can secure it with the included Mini PC band.

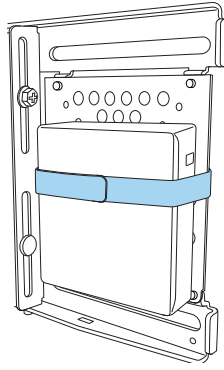
1. Wrap the band around the Mini PC plate.



2. Secure the Mini PC plate to the wall plate using the M3 × 6 mm screws (x4) supplied.



3. Rest the PC on the lip of the Mini PC plate and secure it with the band.



6 Adjusting the Image

To ensure the best image quality, follow the steps below to adjust the projected image. You can also use the Auto Screen Adjustment feature to automatically adjust the image. See page 111 for more information.

For information on adjusting the shared image of two or more projectors, see the online *Edge Blending Setup Guide* for your product.



If possible, avoid adjustments with the Auto Screen Adjustment, Quick Corner, or Keystone functions of the projector. Doing so may result in a reduction in image quality and pen or finger touch calibration.

Follow these guidelines for setting up the projector:

- Make sure the image is evenly rectangular, without distortion.
- Make sure the projector is tilted no more than 3° vertically and horizontally in relation to the projected image.



Your remote control or projector control panel may look different from the illustrations in this section, but the instructions are the same except where noted.



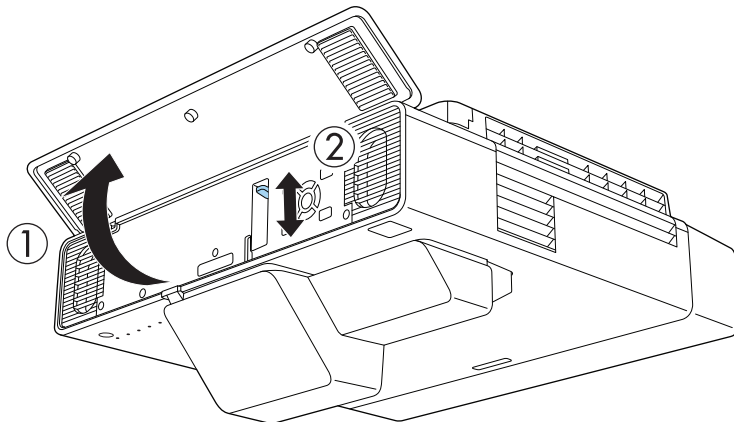
1 Turn on the projector

Press the power button on the remote control or the projector.

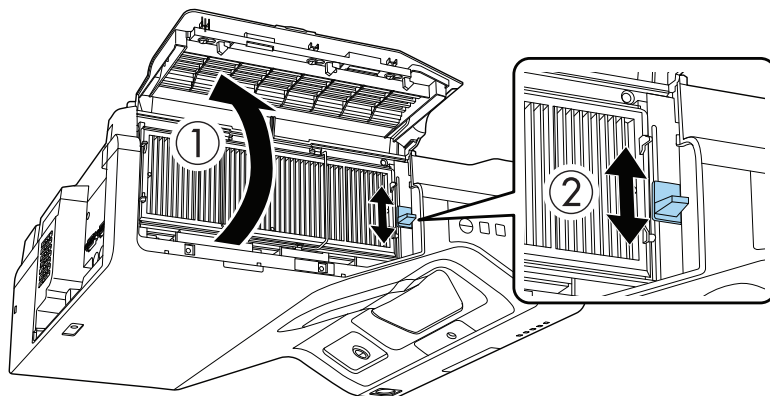
② Adjust the focus

1. Open the cover (①).
2. Use the focus lever to adjust the focus (②).

BrightLink 1480Fi/1480Fi+/1485Fi/1485Fi+ and PowerLite EB-800F/EB-805F:



BrightLink EB-725Wi/EB-735Fi/EB-760Wi/EB-770Fi and PowerLite EB-720/EB-725W/EB-750F/EB-755F/EB-760W/EB-770F/EB-775F:

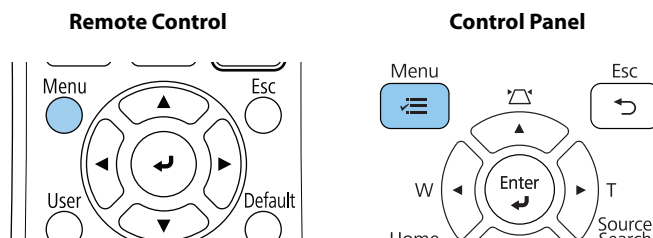


3. After you finish making the adjustment, close the cover.

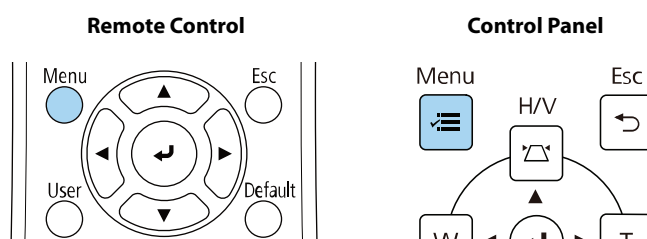
③ Select the screen type

1. Press the [Menu] button on the remote control or control panel.

BrightLink 1480Fi/1480Fi+/1485Fi/1485Fi+ and PowerLite EB-800F/EB-805F:



BrightLink EB-725Wi/EB-735Fi/EB-760Wi/EB-770Fi and PowerLite EB-720/EB-725W/EB-750F/EB-755F/EB-760W/EB-770F/EB-775F:



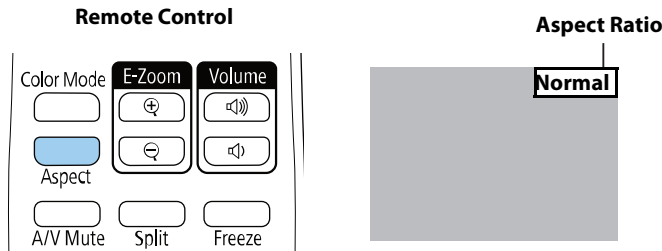
2. Select **Installation**.
3. Select **Screen Type**.

Frequently Used Items	Installation	
Image	Fixed Installation	Off
Signal I/O	Test Pattern	
Installation	Setting Plate Installation Guide	
Display	Vertical Installation	No
Operation	Projection	Front/Upside Down
Management	Auto Screen Adjustment	
Network	Geometry Correction	Point Correction
Pen/Touch	Digital Zoom	▼
Interactive	Connect ELPB02	Off
Multi-Projection	Touch Unit	
Memory	Remote Receiver	Off
ECO	Screen Type	16:9 ▼
Initial/All Settings	High Altitude Mode	Off
	Reset Installation Settings	
	Display	
	Pattern Display	
	Pattern Type	

4. Select the setting that matches the aspect ratio of your projection surface.
If necessary, you can press the [Aspect] button on the remote control to temporarily change the aspect ratio as necessary to match the input signal.



You will need to project content from a connected device in order to change the aspect ratio.



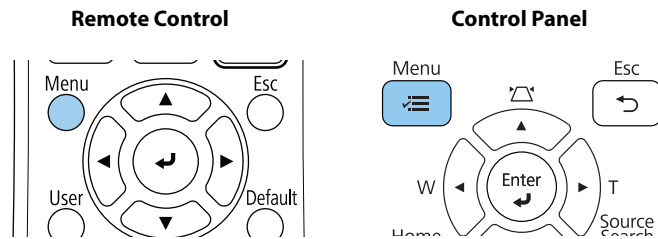
The following is a list of available aspect settings:

- **Auto:** Automatically sets the aspect ratio according to the input signal and the **Resolution** setting.
 - **Full:** Displays images using the full width of the projection area, but does not retain the aspect ratio. 4:3 ratio images are elongated horizontally.
 - **Zoom:** Displays images using the full width of the projection area and maintains the aspect ratio of the image. The image may be cut off on the top and bottom depending on its aspect ratio.
 - **Native:** Displays images as is (aspect ratio and resolution are maintained). Black bands may appear or images may be cut off, depending on the resolution.
5. If you selected the 16:6 (BrightLink 1485Fi/1485Fi+/EB-735Fi/EB-770Fi and PowerLite EB-750F/EB-755F/EB-770F/EB-775F/EB-800F/EB-805F only) or 21:9 (BrightLink 1480Fi/14840Fi+/1485Fi/1485Fi+/EB-770Fi and PowerLite EB-770F/EB-775F/EB-800F/EB-805F) **Screen Type** setting and want to eliminate the black bar at the top of the screen, select the **Installation > Screen Position** setting and then press and hold the up arrow button on the remote until the image rests at the top of the screen.

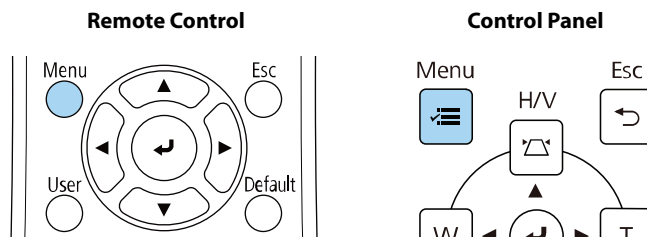
4 Display the test pattern

1. Press the [Menu] button on the remote control or control panel.

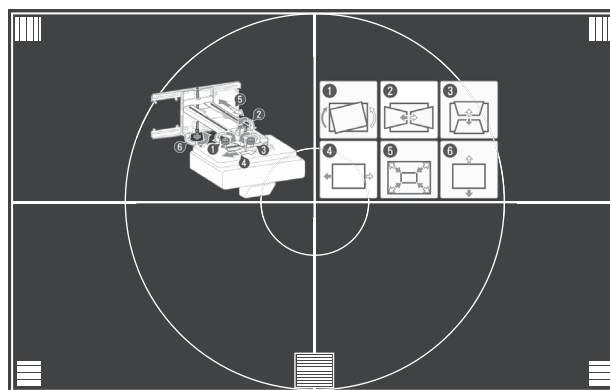
BrightLink 1480Fi/1480Fi+/1485Fi/1485Fi+ and PowerLite EB-800F/EB-805F:



BrightLink EB-725Wi/EB-735Fi/EB-760Wi/EB-770Fi and PowerLite EB-720/EB-725W/EB-750F/EB-755F/EB-760W/EB-770F/EB-775F:



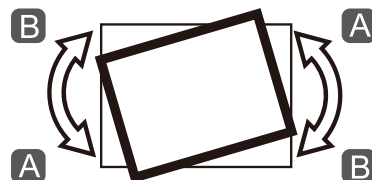
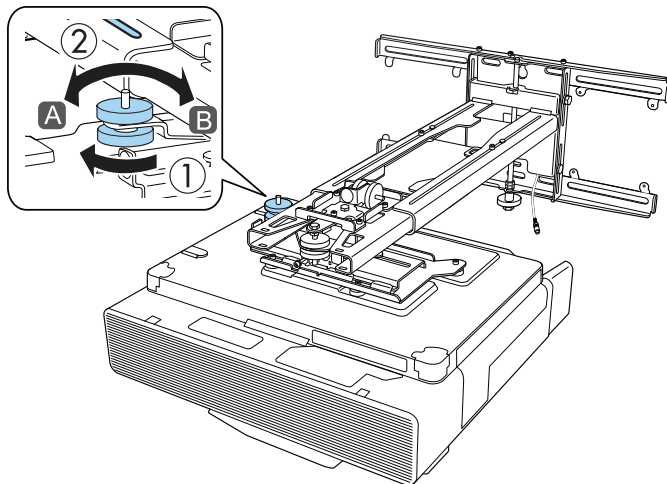
2. Select **Installation**.
3. Select **Setting Plate Installation Guide**.
4. The installation guide and test pattern are displayed. Use these to monitor the image as you make the adjustments in steps 5 to 10.



5 Use adjustment dial 1 on the left side to adjust the horizontal roll

 Repeat steps 5 to 10 as necessary.

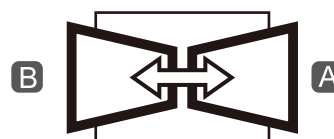
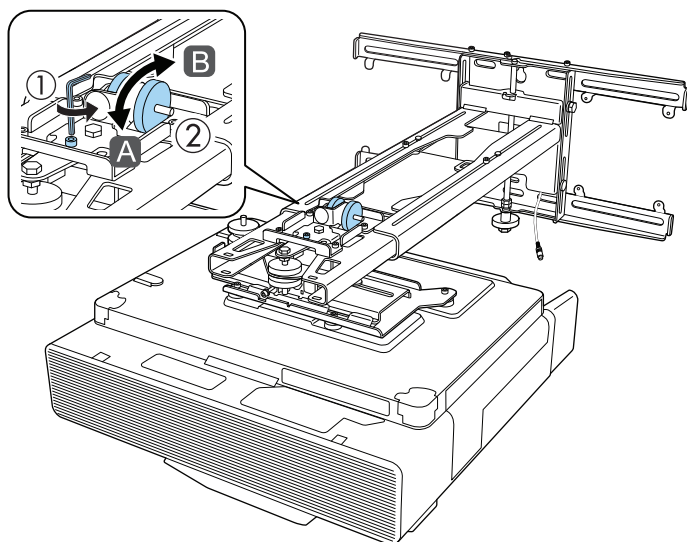
1. Loosen the lower adjustment dial (1).



2. Turn the upper adjustment dial to adjust the horizontal roll (2).
3. After you finish making all of the adjustments in steps 5 to 10, tighten the lower adjustment dial you loosened in 1.

6 Use adjustment dial 2 on the top to adjust the horizontal rotation

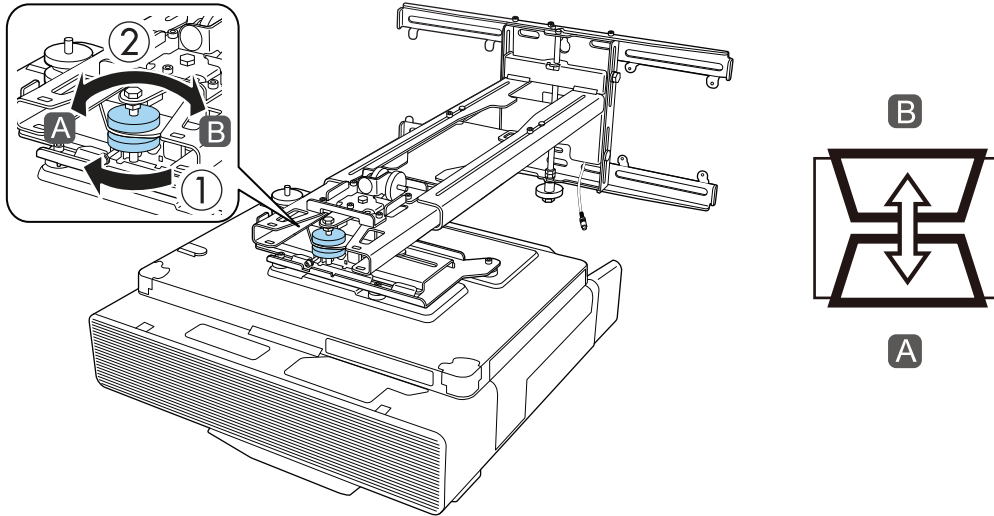
1. Loosen the screw to unlock the adjustment dials (1).



2. Turn the adjustment dials to adjust the horizontal rotation (2).
3. After you finish making all of the adjustments in steps 5 to 10, tighten the screw you loosened in 1.

7 Use adjustment dial 3 on the front to adjust the vertical tilt

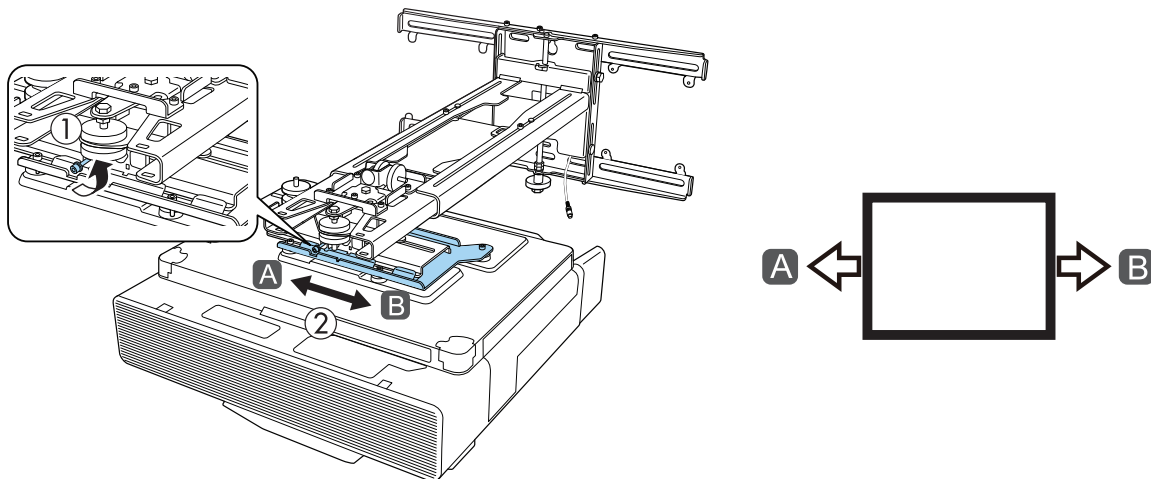
1. Loosen the lower adjustment dial (1).



2. Turn the upper adjustment dial to adjust the vertical tilt (2).
3. After you finish making all of the adjustments in steps (5) to (10), tighten the lower adjustment dial you loosened in (1).

8 Adjust the horizontal slide

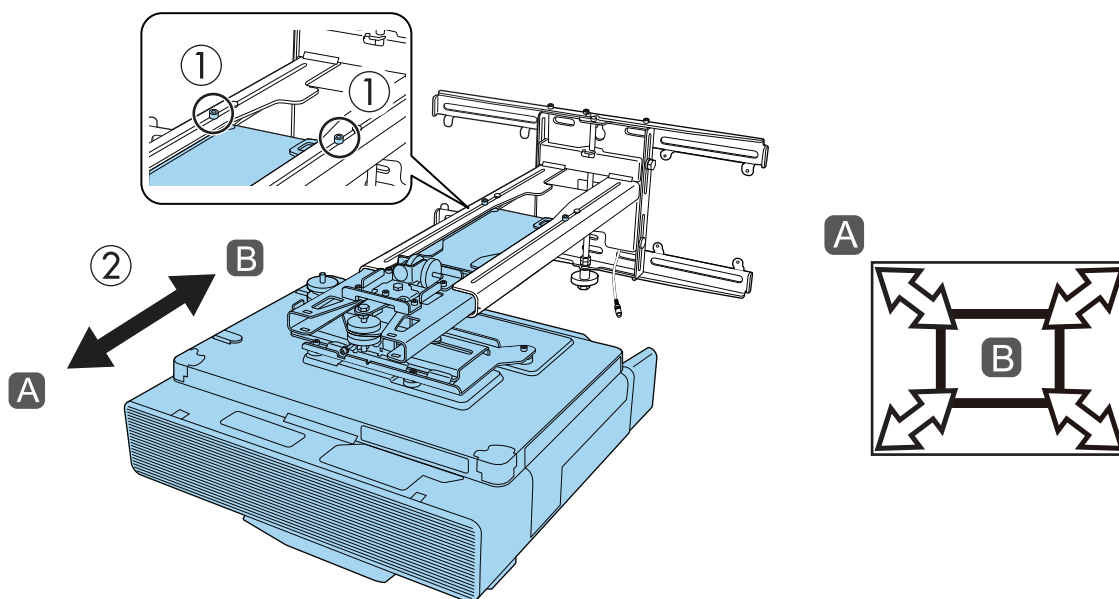
1. Loosen the M4 × 12 mm hexagon socket head cap bolt (1).
2. Adjust the slider for the slide plate (2).



3. After you finish making all of the adjustments in steps (5) to (10), tighten the M4 × 12 mm hexagon socket head cap bolt you loosened in (1).

9 Adjust the forward/backward slide

1. Loosen the M4 × 12 mm hexagon socket head cap bolts (×2) (1).
2. Adjust the slider for the wall mount (2).



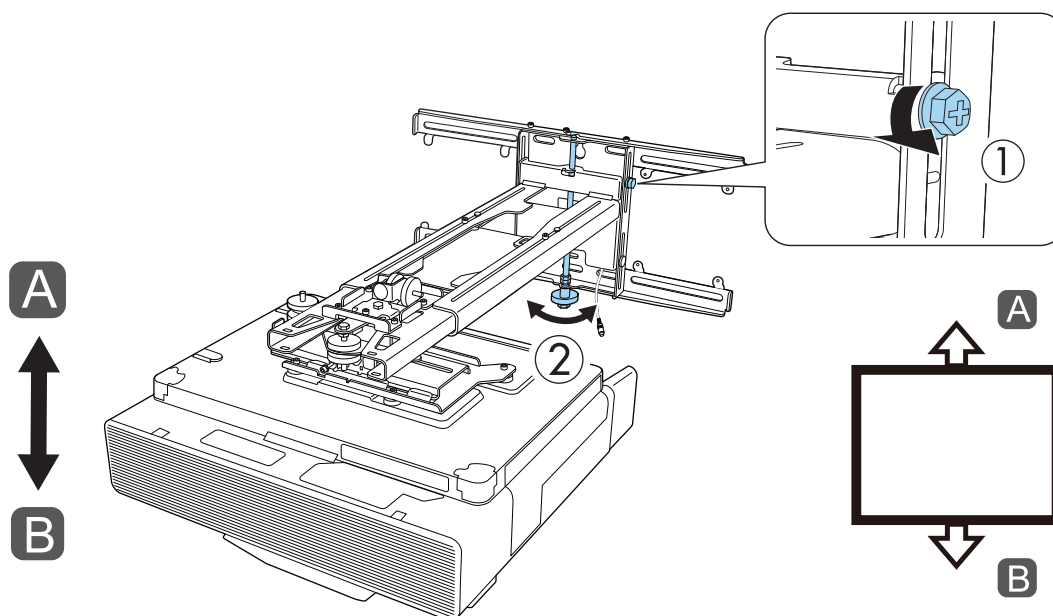
3. After you finish making all of the adjustments in steps (5) to (10), tighten the M4 × 12 mm hexagon socket head cap bolts (×2) you loosened in (1).

10 Adjust the vertical slide

1. Loosen the M6 × 20 mm hexagon shoulder bolt (1).
2. Adjust the vertical slide with the M8 hexagon bolt at the bottom of the wall mount, or the hexagonal shaft at the top of the wall mount (2).

Tightening the M8 hexagon bolt lowers the wall mount, and loosening the bolt raises it.

Tightening the hexagonal shaft raises the wall mount, and loosening the shaft lowers it.

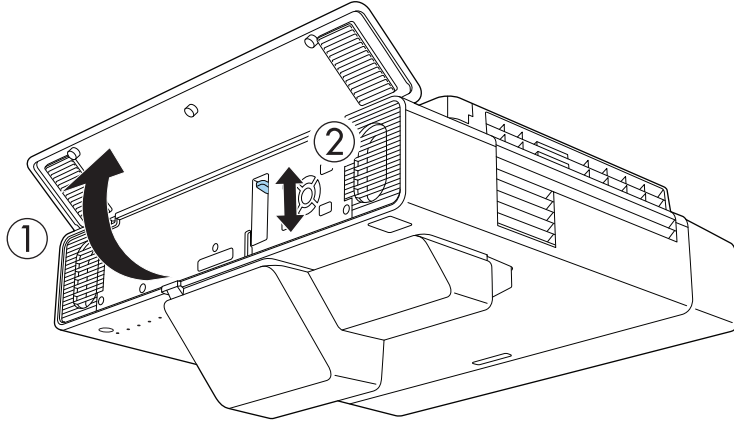


3. After you finish making your adjustments, tighten the M6 × 20 mm hexagon shoulder bolt you loosened in (1).

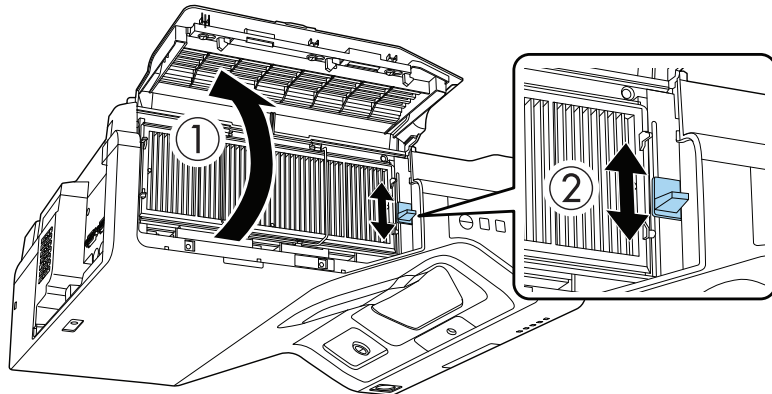
11 Re-adjust the focus

1. Open the front cover (1).
2. Use the focus lever to adjust the focus (2).

BrightLink 1480Fi/1480Fi+/1485Fi/1485Fi+ and PowerLite EB-800F/EB-805F:



BrightLink EB-725Wi/EB-735Fi/EB-760Wi/EB-770Fi and PowerLite EB-720/EB-725W/EB-750F/EB-755F/EB-760W/EB-770F/EB-775F:



3. After you finish making the adjustment, close the cover.

12 Turn off the display of the test pattern

Press the [Esc] button on the remote control or control panel to turn off the test pattern.



Warning

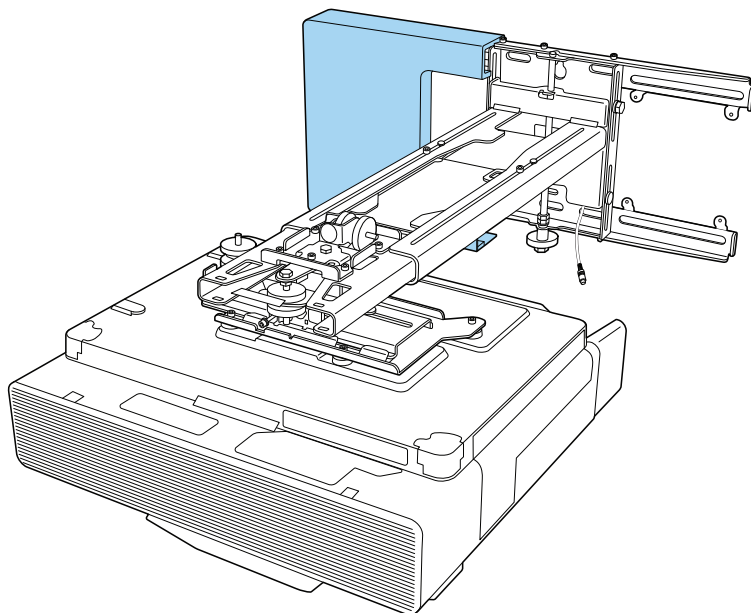
Tighten all screws firmly. Otherwise, the projector or wall mount may fall and cause personal injury or property damage.

7 Attaching the Covers

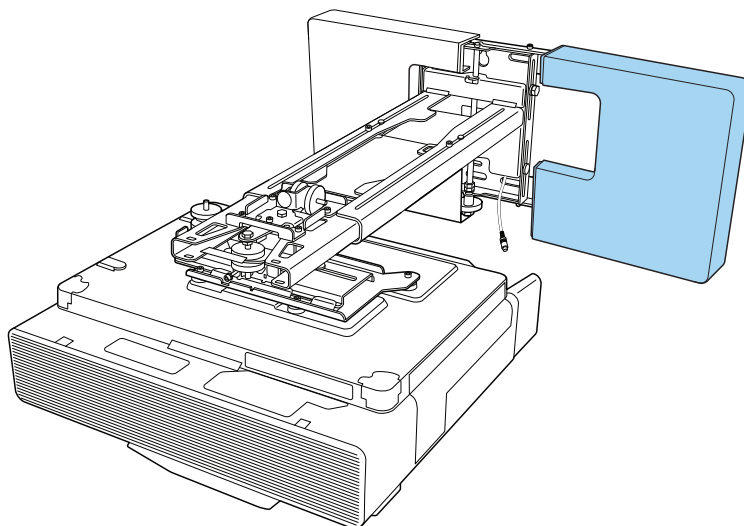
1 Attach the wall plate cover and end cap

If you need to use a security cable, make sure you attach it before installing the wall plate cover. See page 119 for instructions.

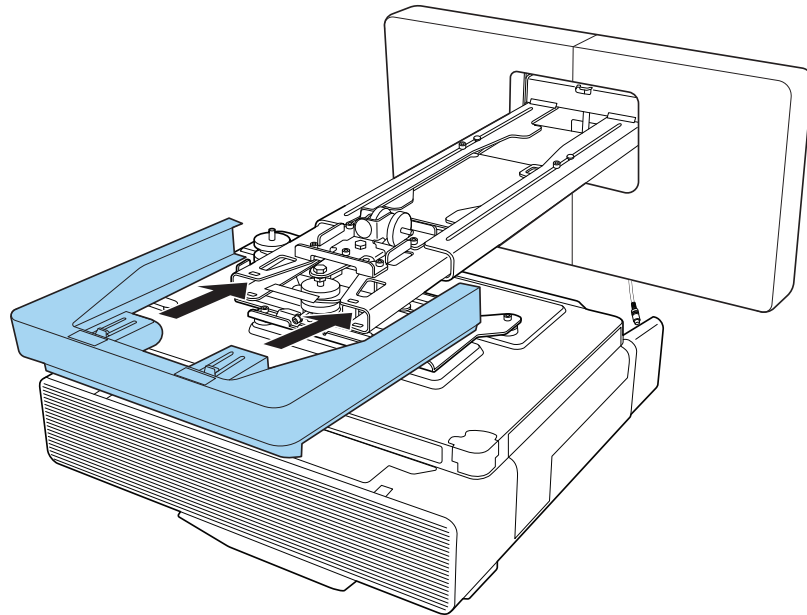
1. Attach the left wall plate cover.



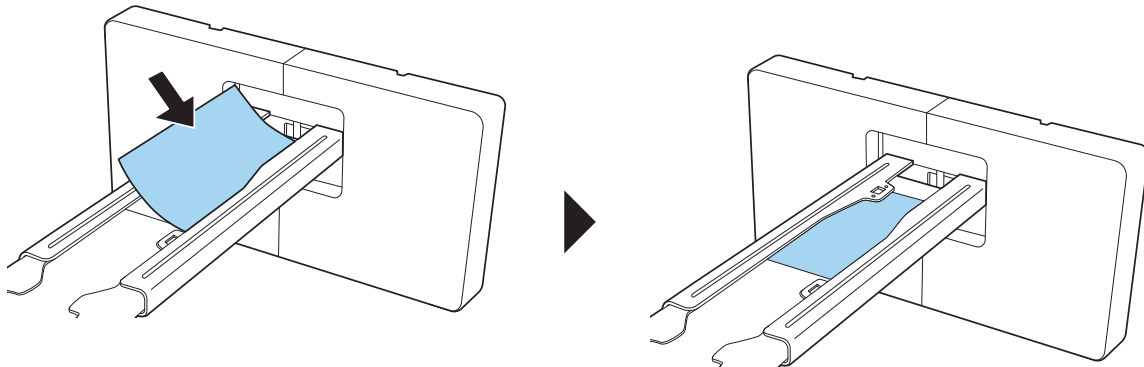
2. Attach the right wall plate cover.



3. Attach the end cap to the mount arm.

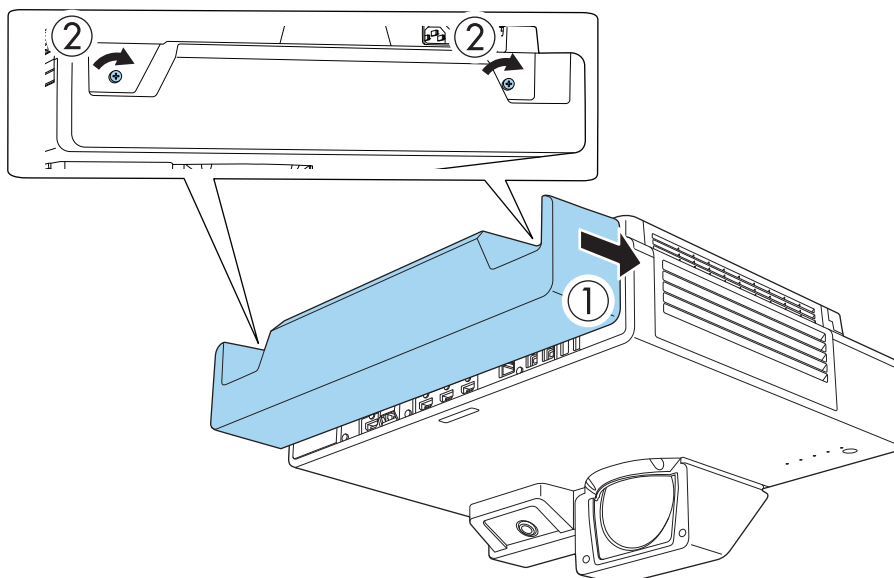


4. If you want to cover the groove in the mount arm, attach the masking sticker as shown.



**② Attach the cable cover to the projector (BrightLink 1480Fi/1480Fi+/
1485Fi/1485Fi+ and PowerLite EB-800F/EB-805F only)**

Attach the cable cover (①) and use a cross-head screwdriver to tighten the screws (x2) and secure the cable cover (②).



 **Caution**

Only a specialist should remove or reinstall the projector, including for maintenance and repairs. Refer to your online *User's Guide* for your projector for instructions on maintenance and repairs.

 **Warning**

- Never loosen the bolts and nuts after installation. If you find any loose screws, tighten them firmly. Otherwise, the projector or wall mount may fall and cause personal injury or property damage.
- Do not hang on the wall mount or hang a heavy object on the wall mount. If the projector or wall mount falls, it could cause personal injury or property damage.

8 Installing the Touch Unit

Before installing the touch unit, make sure you install the projector and adjust the projected image (see page 52). You also need to calibrate the interactive pen(s) before you install the touch unit (see the online *User's Guide* for more information).



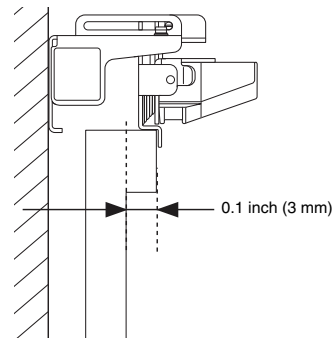
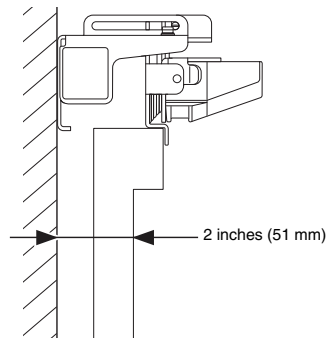
The touch unit is included with the BrightLink 1485Fi/1485Fi+. You can purchase it as an optional accessory for the BrightLink 1480Fi/1480Fi+/EB-725Wi/EB-735Fi/EB-760Wi/EB-770Fi.

The steps for installing the touch unit vary depending on where you are installing the touch unit:

- If you are installing the touch unit on a whiteboard, see "Installing the touch unit on a whiteboard" on page 77.
- If you are installing the touch unit above the frame of a whiteboard (requires the optional touch unit bracket), see "Installing the touch unit above a whiteboard" on page 89. To achieve the best touch performance it is highly recommended that you install the touch unit directly on the whiteboard.



- ❑ **If the distance from the wall to the surface of the whiteboard is greater than 2 inches (51 mm), you must install the touch unit on the whiteboard.**
- ❑ **If the frame of the whiteboard extends more than 0.1 inch (3 mm) away from the board surface, you must install the touch unit on the whiteboard.**



Caution

The touch unit should only be connected to the BrightLink 1480Fi/1480Fi+/1485Fi/1485Fi+/EB-725Wi/EB-735Fi/EB-760Wi/EB-770Fi models. Do not connect the touch unit to any other projectors or devices.

Installing the touch unit on a whiteboard

Follow the steps below to install the touch unit on a whiteboard. Some menus may differ slightly from the illustrations, but the installation instructions are the same.



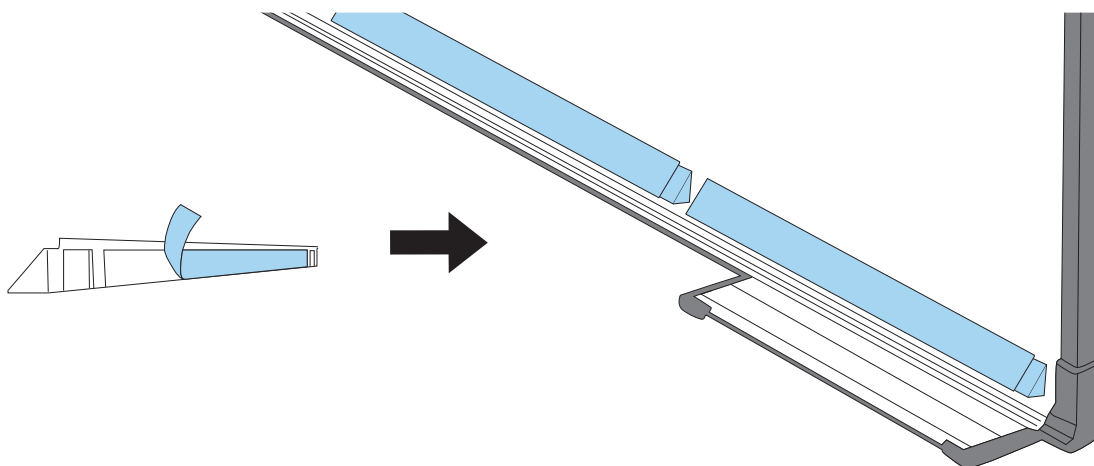
- ❑ **There are magnets built in to the back of the touch unit. Typically, the touch unit should be installed by attaching the magnets to the screen or whiteboard.**
- ❑ **If the touch unit cannot be attached with the magnets, use commercially available M4 screws (x2).**
- ❑ **Install the touch unit on a flat, smooth, unwarped surface. If there is unevenness on the screen surface of more than 0.2 inch (5 mm) in any direction, your fingers may not be detected and finger touch operations may not be performed correctly.**

1

Install infrared deflectors along any obstacles

If there is an obstacle that cannot be removed, such as a whiteboard tray or thick frame, remove the tape from the back of the supplied infrared deflectors and stick them to the screen so that the laser is not reflected by the obstacle.

Make sure to use as many deflectors as necessary to match the full width of the obstacle.



- ❑ **Do not remove an infrared deflector once it has been stuck in place.**
- ❑ **Do not stick tape on or place anything on the infrared deflectors. The deflectors will not function properly if anything is placed on them.**

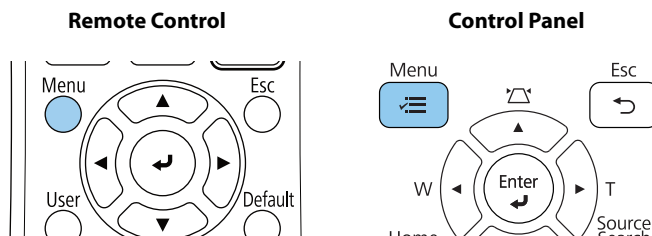
2 Turn on the projector

Press the power button on the remote control or the projector.

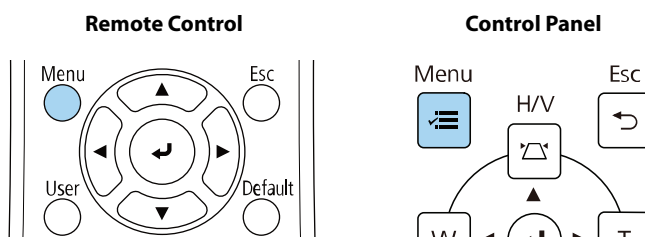
3 Display the installation pattern

1. Press the [Menu] button on the remote control or control panel.

BrightLink 1480Fi/1480Fi+/1485Fi/1485Fi+:



BrightLink EB-725Wi/EB-735Fi/EB-760Wi/EB-770Fi:



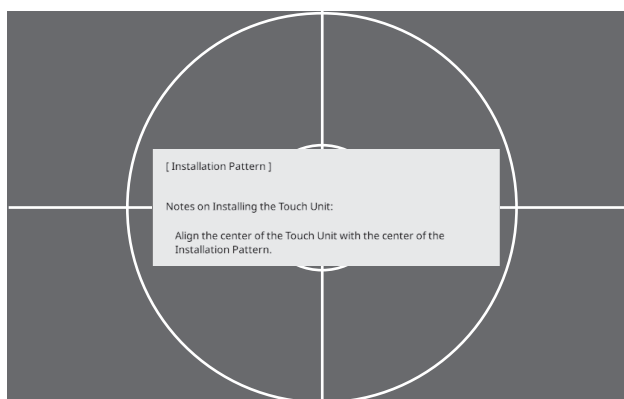
2. Select **Installation**.
3. Select **Touch Unit**.

Frequently Used Items	Installation
Image	Fixed Installation Off
Signal I/O	Test Pattern
Installation	Setting Plate Installation Guide
Display	Vertical Installation No
Operation	Projection Front/Upside Down
Management	Auto Screen Adjustment
Network	Geometry Correction Point Correction
Pen/Touch	Digital Zoom
Interactive	Connect ELPCB02 Off
Multi-Projection	Touch Unit
Memory	Remote Receiver Off
ECO	Screen Type 16:9
Initial/All Settings	High Altitude Mode Off
	Reset Installation Settings
	Display
	Pattern Display
	Pattern Type

4. Select **Installation Pattern**.

[Touch Unit]	Return
Installation Pattern	
Power	On
Touch Unit Setup (Auto)	
Touch Unit Setup (Manual)	
Touch Calibration	
Calibration Range	Narrow

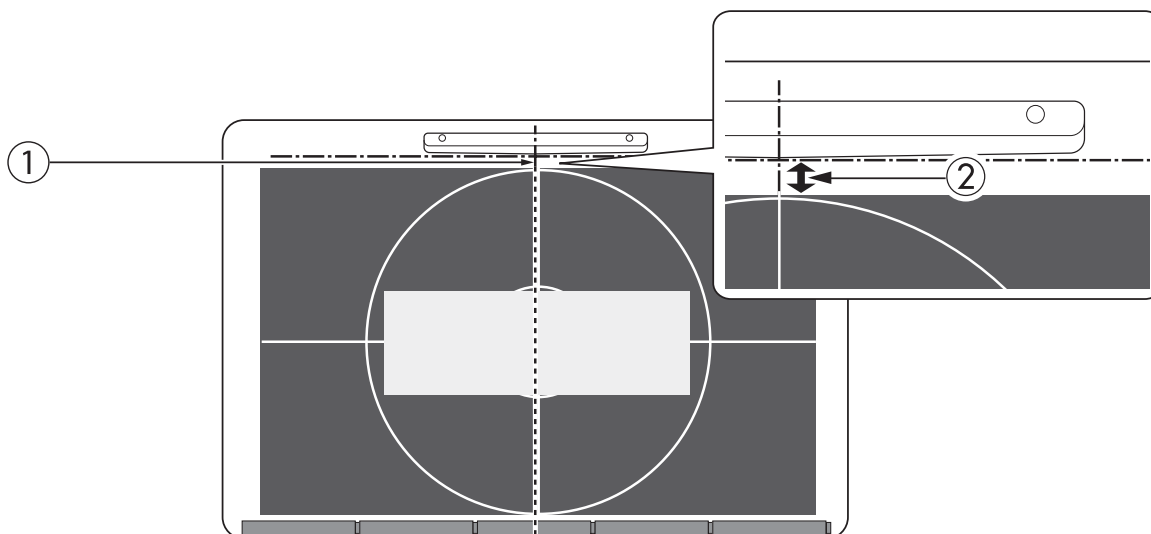
The Installation pattern is displayed on the projected image.



4 Determine the installation position for the touch unit

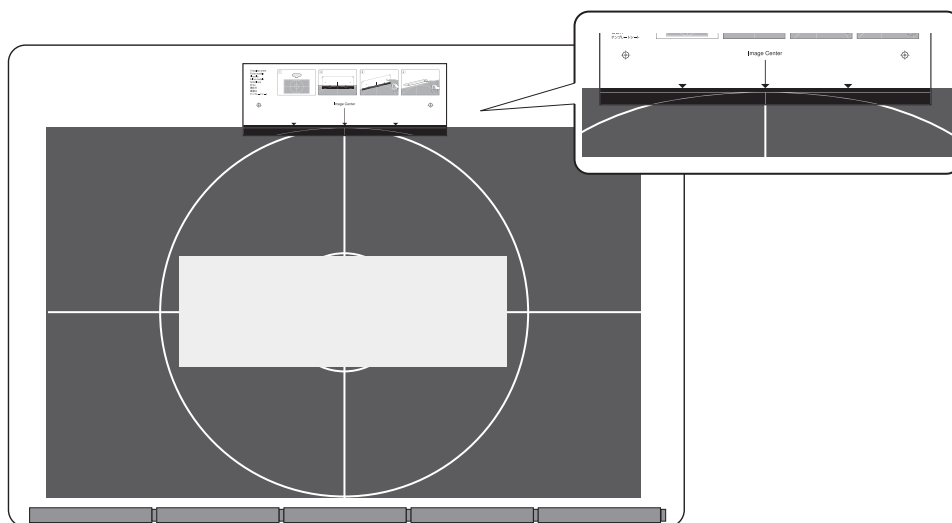
1. Mark the following installation positions:

- (1): The center line of the installation pattern.
- (2): The distance from the top edge of the projected image to the bottom edge of the touch unit.
BrightLink 1480/1480Fi+/1485Fi/1485Fi+/EB-725Wi/EB-735Fi: 0.79 to 1.97 inches (20 to 50 mm) for 16:6/21:9 aspect ratio images or 0.22 to 1.97 inches (5.7 to 50 mm) for all others.
BrightLink EB-770Fi: 1.83 to 2 inches (46.4 to 50 mm) for 16:6 aspect ratio images, 1.5 to 2 inches (38.1 to 50 mm) for 21:9 aspect ratio images, or 0.76 to 2 inches (19.2 to 50 mm) for all others.
BrightLink EB-760Wi: 0.65 to 2 inches (16.4 to 50 mm) for all aspect ratio images.



The touch unit must be installed above the image area.

2. For non-magnetic boards or screens, attach the template sheet to the board.
Line up the pattern on the bottom of the sheet with the top of the projected pattern.



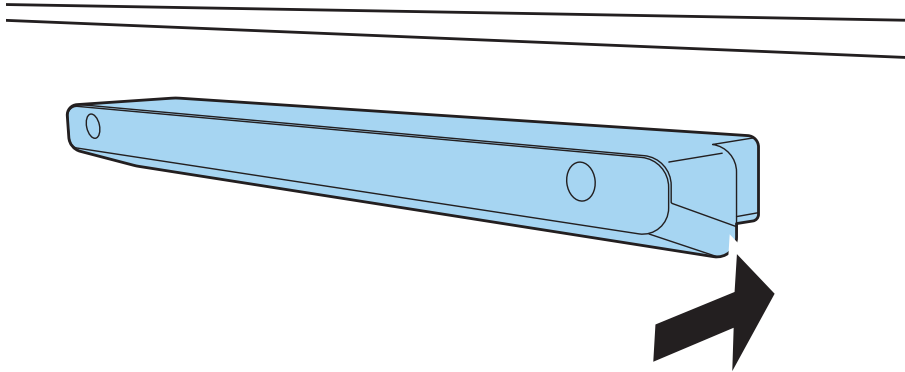
Drill two holes where indicated and remove the template sheet.

5 Install the touch unit

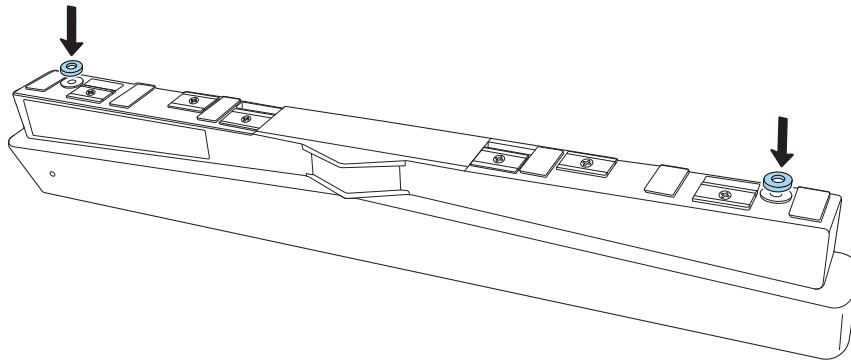
- For magnetic boards, place the back of the touch unit on the screen surface to secure it.

Caution

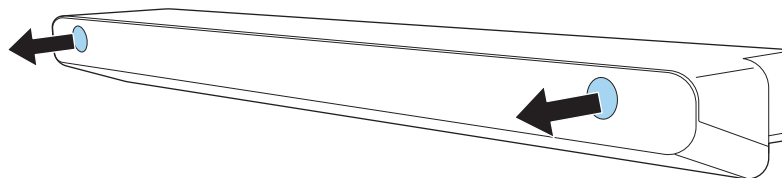
When installing the touch unit on a magnetic surface, be careful not to trap your fingers or any other part of your body between the magnets and the installation surface.



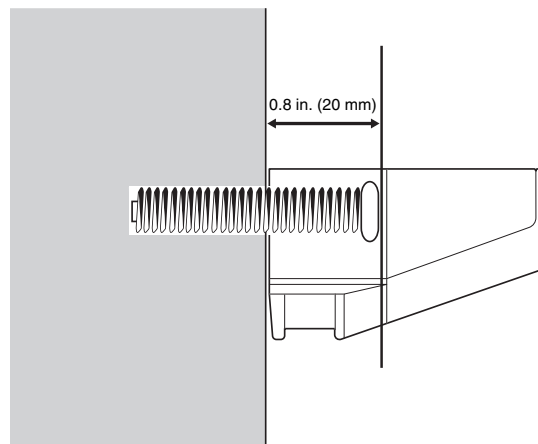
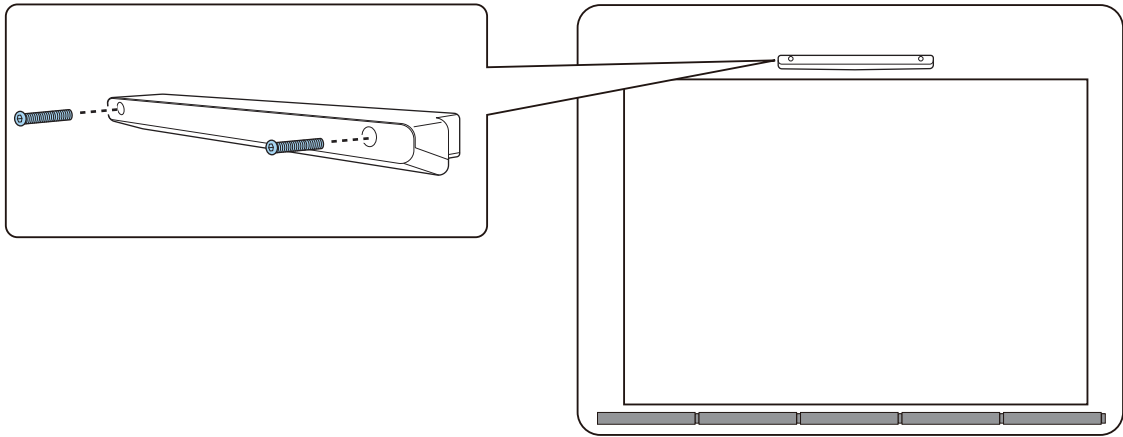
- For non-magnetic boards or screens, attach the spacers to the screw holes on the back of the touch unit.



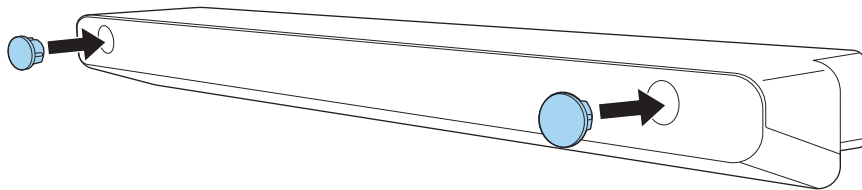
Remove the rubber caps from the front of the touch unit.



Secure the touch unit with two (2) M4 screws (not included).



Re-attach the rubber caps.

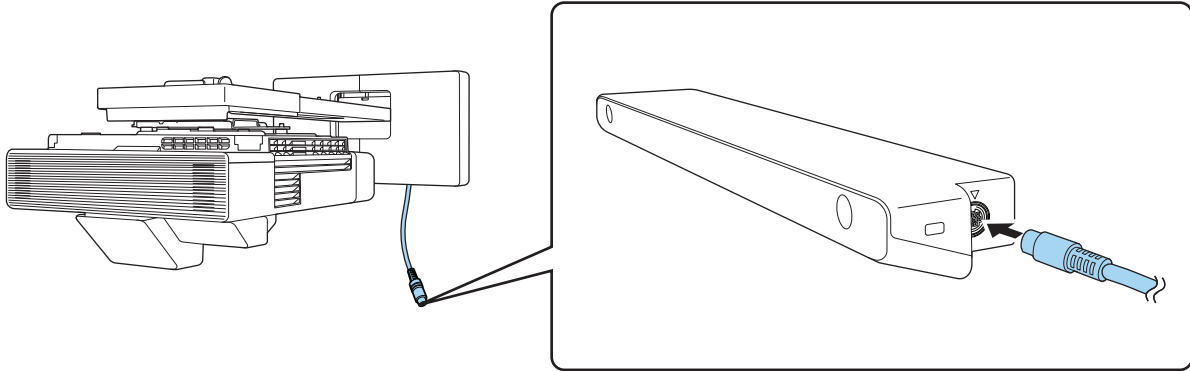


6 Turn on the touch unit

1. Connect the touch unit connection cable from the projector to the port on the touch unit. Make sure the arrows on the port and cable are lined up.



Make sure you use the supplied touch unit connection cable. Operations are not possible with a commercially available cable.

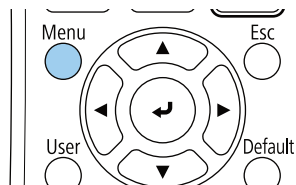


Make sure the touch unit connection cable is firmly inserted all the way in. if the cable is not inserted all the way in, the menu for the older model Touch Unit may be displayed when adjusting the angle of the laser.

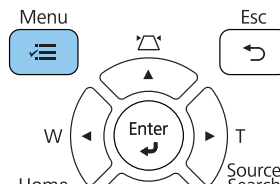
2. Press the [Menu] button on the remote control or control panel.

BrightLink 1480Fi/1480Fi+/1485Fi/1485Fi+:

Remote Control

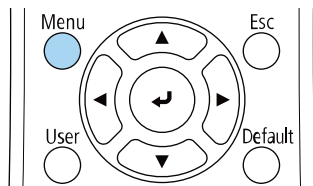


Control Panel

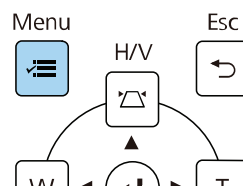


BrightLink EB-725Wi/EB-735Fi/EB-760Wi/EB-770Fi:

Remote Control

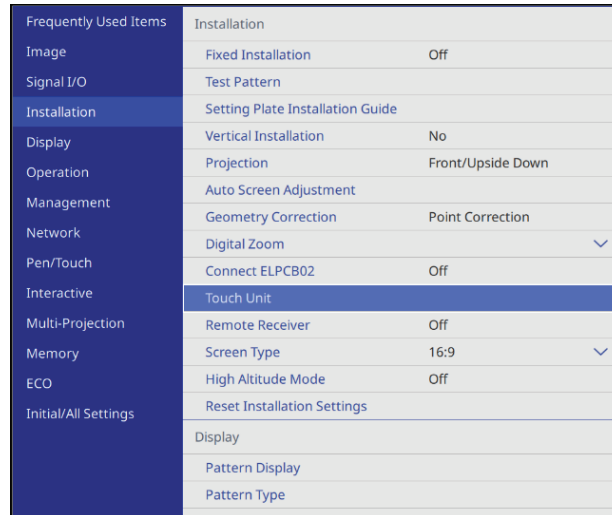


Control Panel

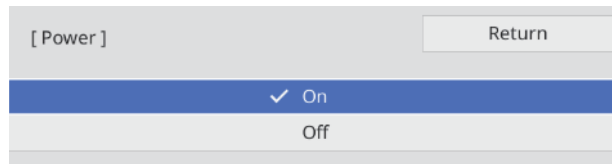


3. Select **Installation**.

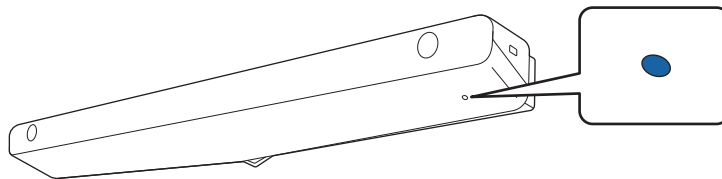
4. Select **Touch Unit**.



5. Set **Power** to **On**.



The touch unit power turns on and the power light turns blue.



Warning

Do not look into the projector's projection window or the touch unit's laser diffusion ports (located on the bottom of the touch unit); this could cause injury to eyesight.



When Power is set to On, the touch unit automatically powers up when the projector is turned on.

7 Adjust the angle

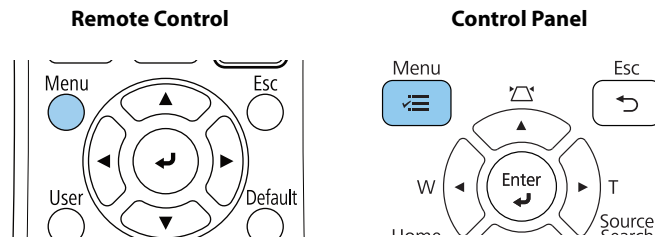
Adjust the angle of the laser light coming from the touch unit so that the touch unit can detect the position of your fingers.



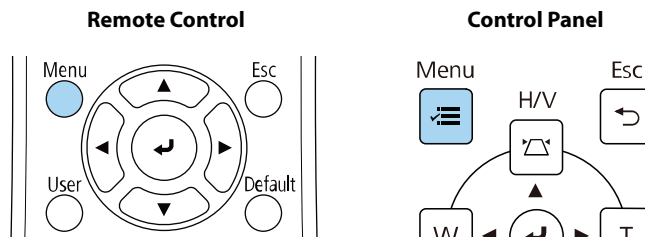
Make sure to calibrate the interactive pen(s) before running touch unit setup. Press the User button on the remote control and select Yes to perform an auto-calibration. Refer to the online *User's Guide* for your projector for detailed instructions on calibrating the pen(s).

1. Press the [Menu] button on the remote control or control panel.

BrightLink 1480Fi/1480Fi+/1485Fi/1485Fi+:



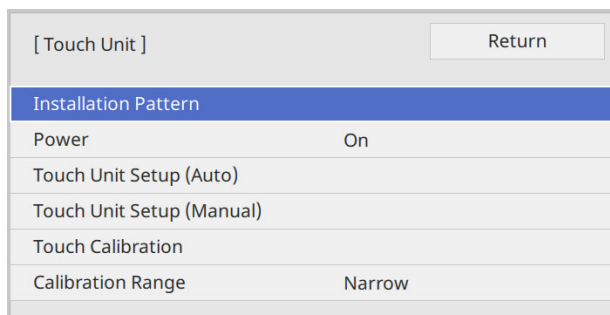
BrightLink EB-725Wi/EB-735Fi/EB-760Wi/EB-770Fi:



2. Select **Installation**.
3. Select **Touch Unit**.

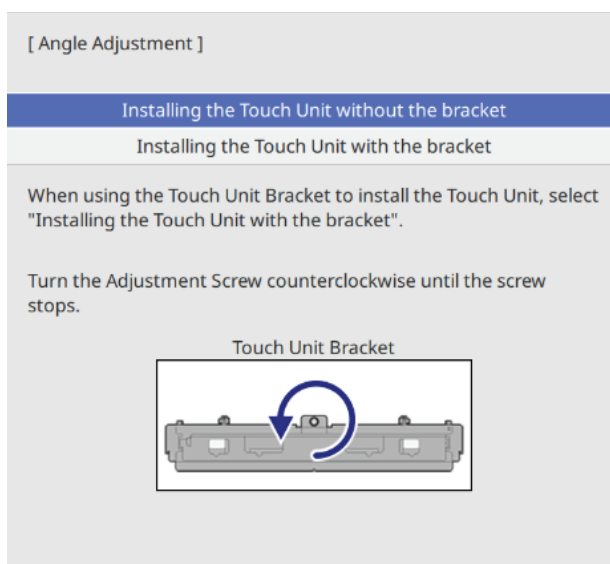
Frequently Used Items	Installation	
Image	Fixed Installation	Off
Signal I/O	Test Pattern	
Installation	Setting Plate Installation Guide	
Display	Vertical Installation	No
Operation	Projection	Front/UpSide Down
Management	Auto Screen Adjustment	
Network	Geometry Correction	Point Correction
Pen/Touch	Digital Zoom	
Interactive	Connect ELPCB02	Off
Multi-Projection	Touch Unit	
Memory	Remote Receiver	Off
ECO	Screen Type	16:9
Initial/All Settings	High Altitude Mode	Off
	Reset Installation Settings	
	Display	
	Pattern Display	
	Pattern Type	

4. Select **Touch Unit Setup (Auto)**.



If you're using multiple projectors and the HDMI Out Setting option in the Multi-Projection menu is set to Process Out, follow the on-screen instructions to turn off the Power setting for the touch unit on the next projector you set up.

5. Select **Installing the Touch Unit without the bracket**.

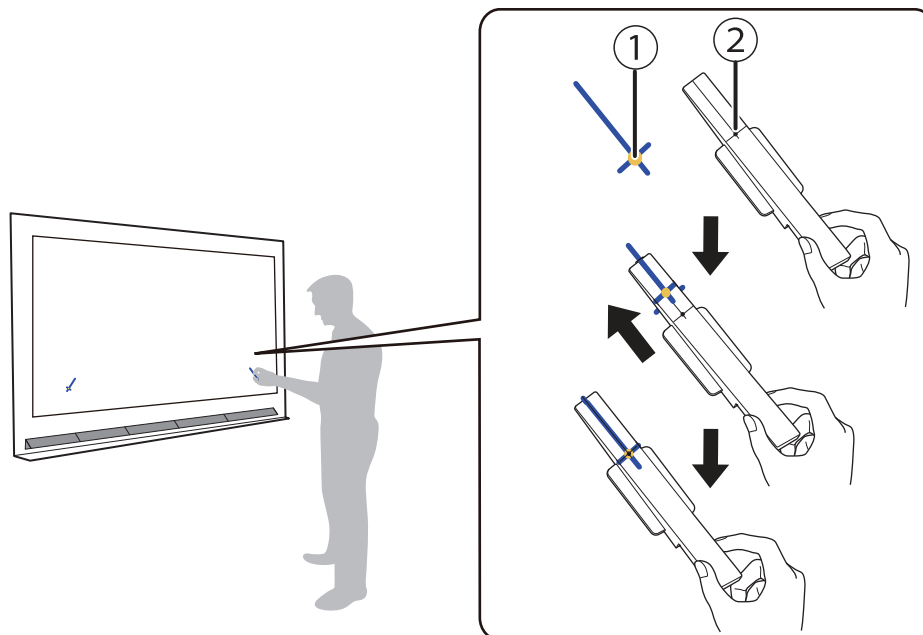


If the screen for an older model Touch Unit is displayed even though the ELPFT01 is connected, check the connection for the touch unit connection cable.

6. Attach the two markers to the positions shown on the projected screen.

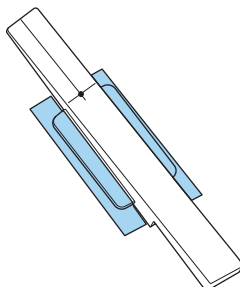
Match the positions so that the crosses (①) overlap with the points (②) on the marker positions.

Move the marker over the projected cross until the lines of the cross align with the lines on the marker.



Attach the markers to the projection screen as follows:

- For magnetic screens: Place the bottom of the markers onto the screen with the thinner end of the marker facing the touch unit.
- For non-magnetic screens: Use the supplied tape to secure the markers with the thinner side of the marker facing the touch unit.



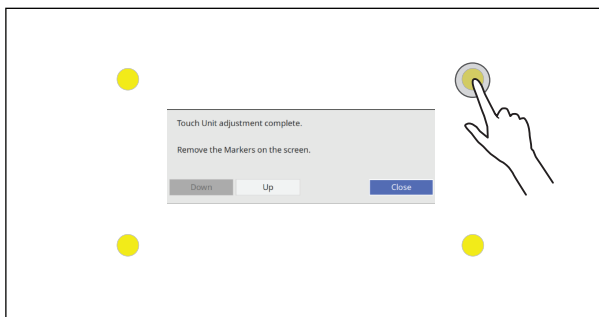
Do not place anything other than the markers near the projected image during angle adjustment. If other objects are on the projected image, angle adjustment may not be performed correctly.

7. Press the [Enter] button on the remote control or control panel to begin the auto adjustment.
8. When adjustments are complete, remove the markers.



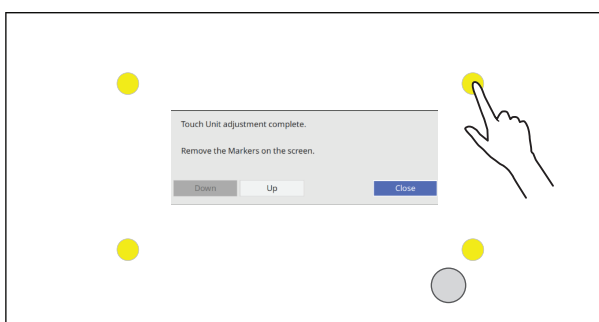
If auto adjustment fails, follow the instructions on the screen to manually adjust the angle of the laser and run auto adjustment again. If the problem continues to occur even after checking all of the items, run Touch Unit Setup (Manual). For details on manual adjustment, see page 101. If the problem continues to occur, the Touch Unit may be malfunctioning. Contact your dealer.

9. Touch each of the four yellow circles on the screen and verify that the gray touch indicators appear in the correct position.



Finger touch operations may not function correctly if you are wearing bandages, artificial nails, nail polish, or anything else that may obstruct your fingers.

If the gray indicators do not appear where you touched the screen, you need to manually adjust the touch unit alignment.



Select **Up** using the control panel or remote control and press [Enter]. Try touching the four dots again and repeat this process until the touch indicators appear in the correct position.

10. Perform touch calibration by pressing **Menu** on the remote control. On the **Installation** menu, select **Touch Unit**, then **Touch Calibration**. Follow the instructions on the screen.

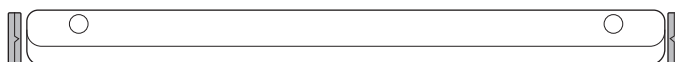


See the online *User's Guide* for more details on the touch calibration.



Attach labels

Attach the labels to the tabs on either side of the touch unit.



If the touch unit moves out of position, use the labels to determine where to reposition the touch unit.

Installing the touch unit above a whiteboard

Follow the steps below to use the optional touch unit bracket to install the touch unit above the frame of a whiteboard. Some menus may differ slightly from the illustrations, but the installation instructions are the same.



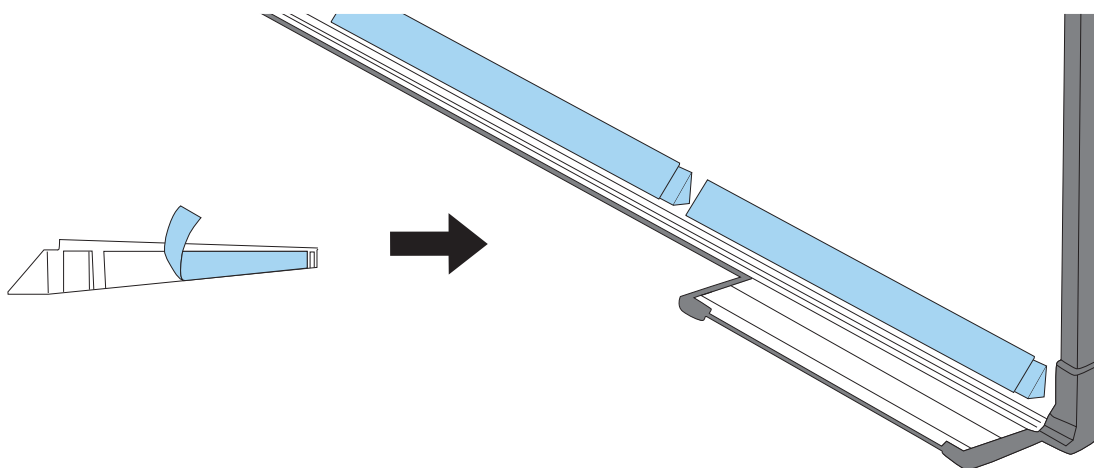
Install the touch unit bracket on a flat, smooth, unwarped surface. If there is unevenness on the screen surface of more than 0.2 inch (5 mm) in any direction, your fingers may not be detected and finger touch operations may not be performed correctly.



1 Install infrared deflectors along any obstacles

If there is an obstacle that cannot be removed, such as a whiteboard tray or thick frame, remove the tape from the back of the supplied infrared deflectors and stick them to the screen so that the laser is not reflected by the obstacle.

Make sure to use as many deflectors as necessary to match the full width of the obstacle.



- Do not remove an infrared deflector once it has been stuck in place.**
- Do not stick tape on or place anything on the infrared deflectors. The deflectors will not function properly if anything is placed on them.**

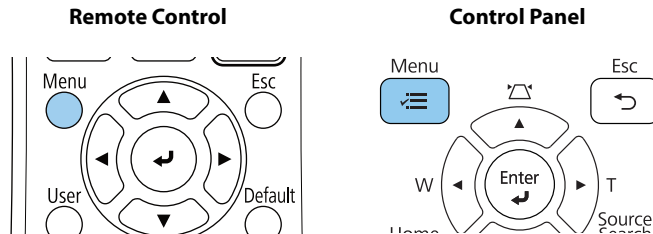
2 Turn on the projector

Press the power button on the remote control or the projector.

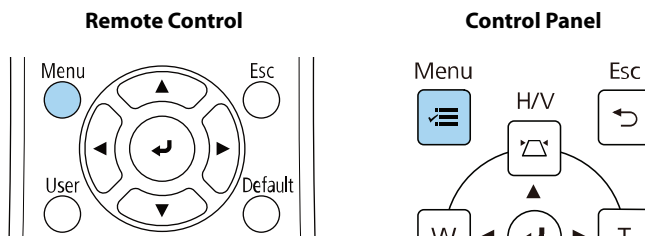
3 Display the installation pattern

1. Press the [Menu] button on the remote control or control panel.

BrightLink 1480Fi/1480Fi+/1485Fi/1485Fi+:



BrightLink EB-725Wi/EB-735Fi/EB-760Wi/EB-770Fi:



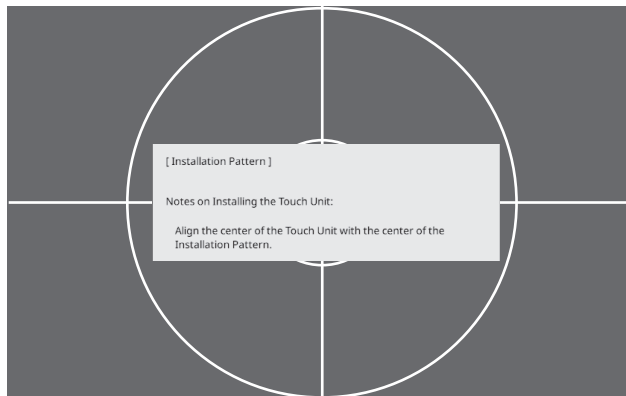
2. Select **Installation**.
3. Select **Touch Unit**.

Frequently Used Items	Installation
Image	Fixed Installation Off
Signal I/O	Test Pattern
Installation	Setting Plate Installation Guide
Display	Vertical Installation No
Operation	Projection Front/Upside Down
Management	Auto Screen Adjustment
Network	Geometry Correction Point Correction
Pen/Touch	Digital Zoom
Interactive	Connect ELPCB02 Off
Multi-Projection	Touch Unit
Memory	Remote Receiver Off
ECO	Screen Type 16:9
Initial/All Settings	High Altitude Mode Off
	Reset Installation Settings
	Display
	Pattern Display
	Pattern Type

4. Select **Installation Pattern**.

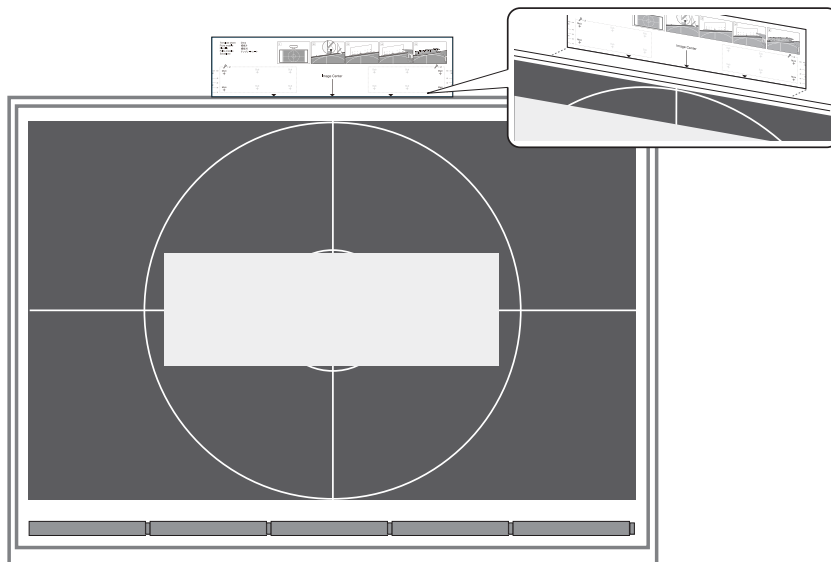
[Touch Unit]	Return
Installation Pattern	
Power	On
Touch Unit Setup (Auto)	
Touch Unit Setup (Manual)	
Touch Calibration	
Calibration Range	Narrow

The Installation pattern is displayed on the projected image.



4 Determine the installation position for the bracket

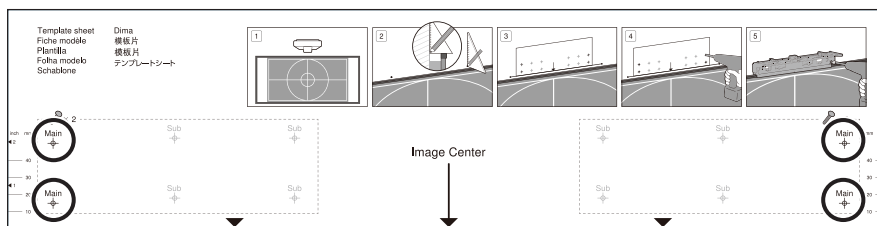
Align the bottom of the bracket template sheet with the top of the projection surface and attach the sheet to the wall.



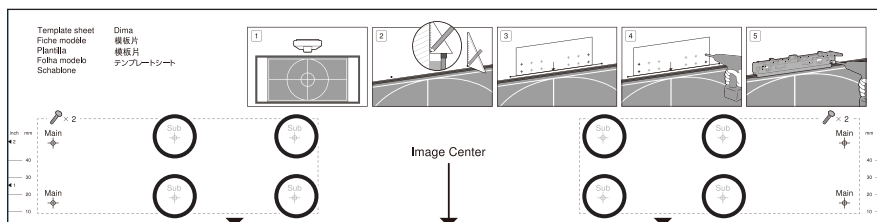
 **The touch unit must be installed above the image area.**

5 Drill holes for the bracket

If possible, drill holes at the four points labeled **Main** on the template sheet.



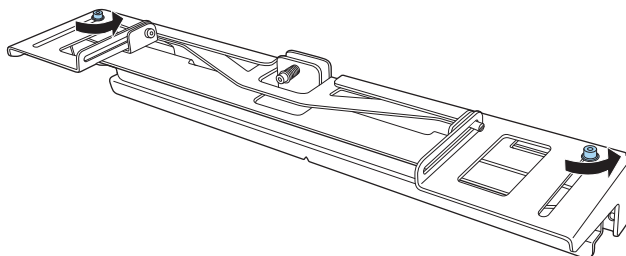
If you're unable to use the points labeled **Main**, you can secure the bracket at the points labeled **Sub**.



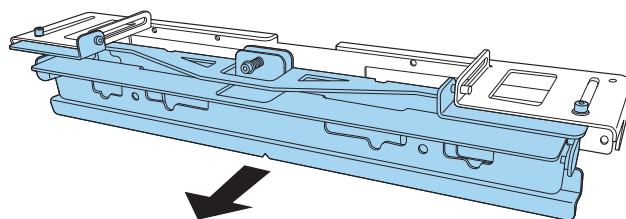
Make sure you secure the bracket at four points (two on the left and two on the right) for proper balance.

6 Install the bracket

1. Loosen the screws (×2) at the top of the bracket.

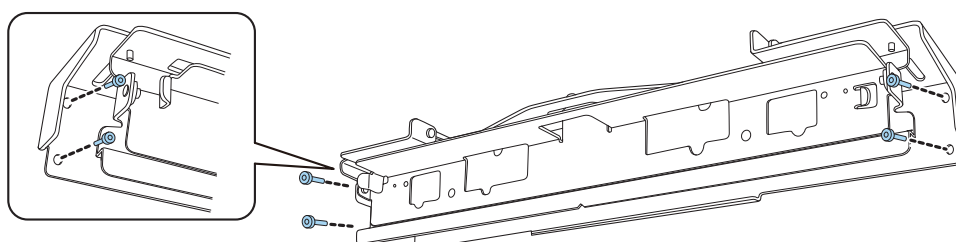


2. Slide the front of the bracket forward until it is fully extended.

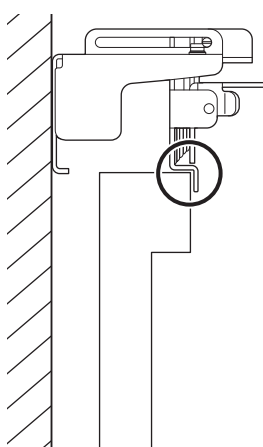
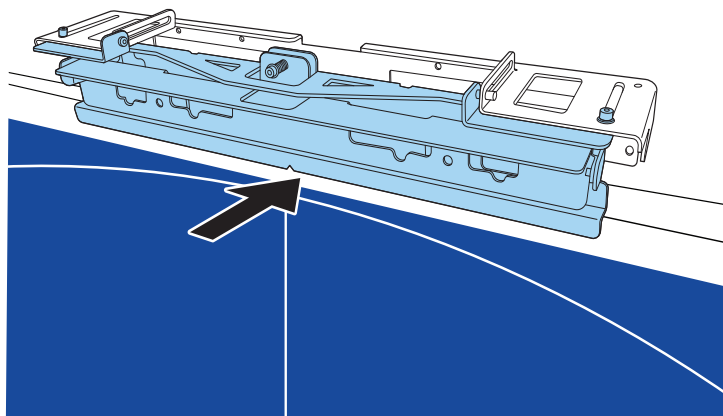



To prevent the front of the bracket from slipping during installation, loosely tighten the top screws.

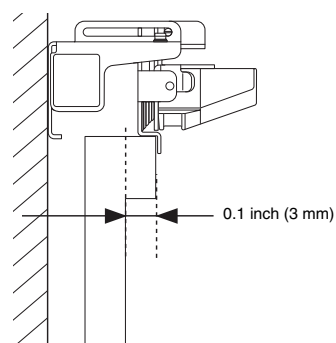
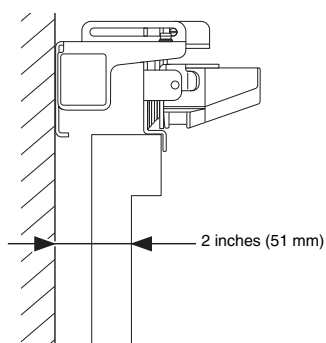
3. Secure the bracket on the wall using four (×4) 3.8 mm wood screws that are 46 mm long or four (×4) M4 anchor bolts (not included).



4. Slide the front of the bracket until the lower edge touches the projection surface.

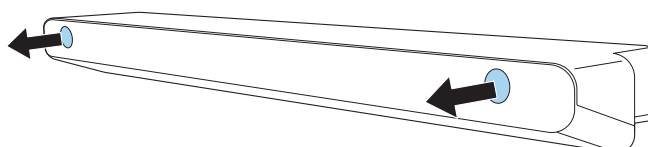


-  If the distance from the wall to the surface of the whiteboard is greater than 2 inches (51 mm), you must install the touch unit on the whiteboard.
- If the frame of the whiteboard extends more than 0.1 inch (3 mm) away from the board surface, you must install the touch unit on the whiteboard.

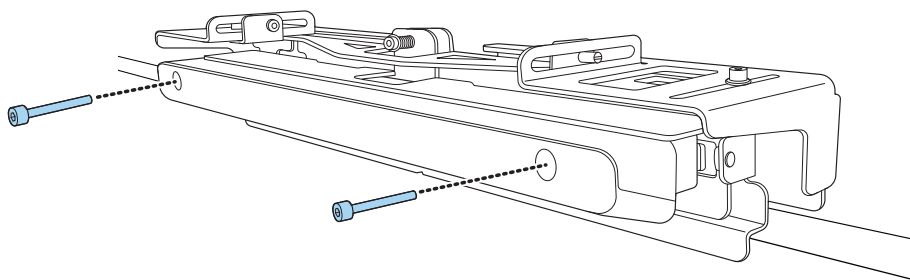


5. Tighten the screws (x2) at the top of the bracket that you loosened in step 1.

6. Remove the rubber caps (x2) from the front of the touch unit.



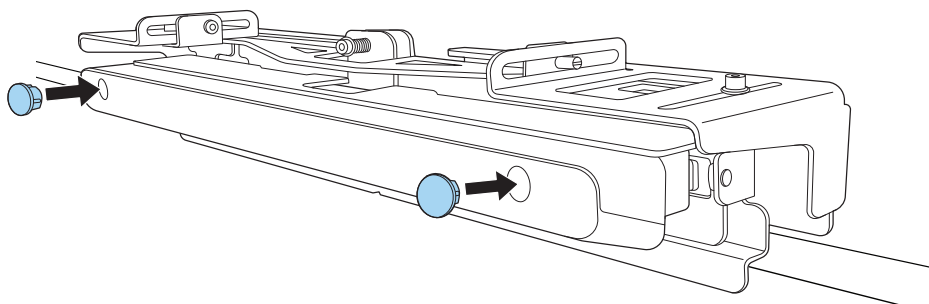
7. Secure the touch unit to the bracket with the M4 × 25 mm bolts (×2) supplied.



Caution

When attaching the touch unit to the bracket, be careful not to trap your fingers or any other part of your body between the magnets and the bracket.

8. Re-attach the rubber caps.

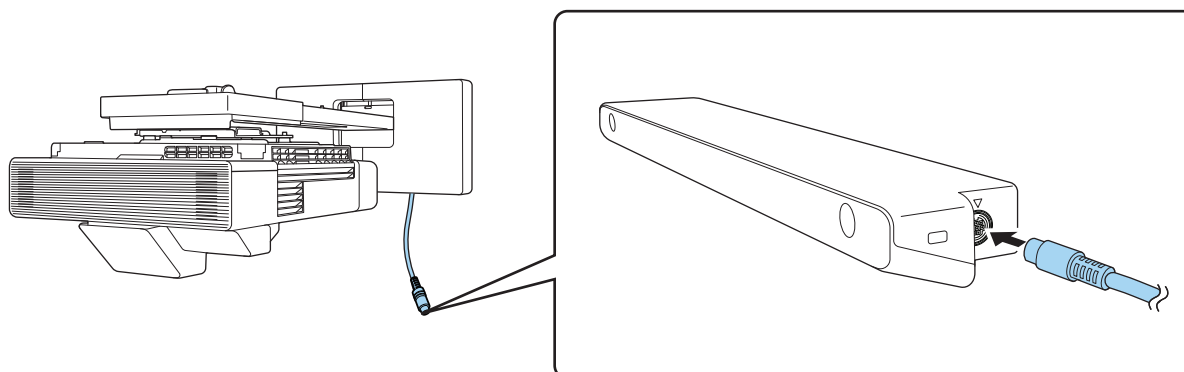


7 Turn on the touch unit

1. Connect the touch unit connection cable that is connected to the projector to the port on the Touch Unit.

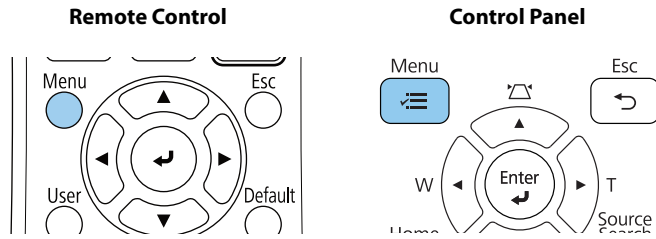


Make sure you use the supplied touch unit connection cable. Operations are not possible with a commercially available cable.

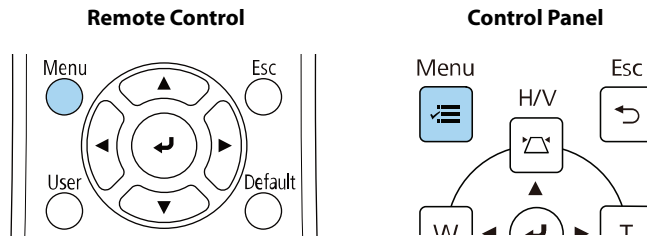


2. Press the [Menu] button on the remote control or control panel.

BrightLink 1480Fi/1480Fi+/1485Fi/1485Fi+:



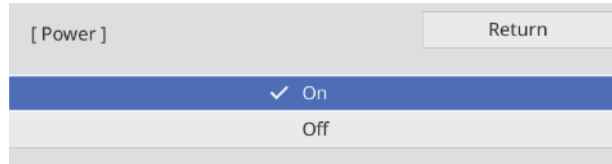
BrightLink EB-725Wi/EB-735Fi/EB-760Wi/EB-770Fi:



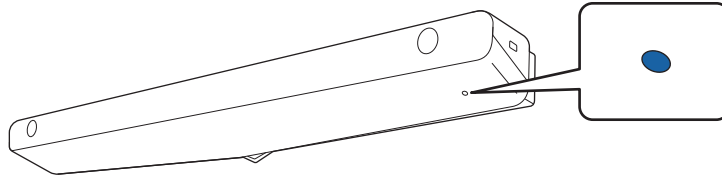
3. Select **Installation**.
4. Select **Touch Unit**.

Frequently Used Items	Installation
Image	Fixed Installation Off
Signal I/O	Test Pattern
Installation	Setting Plate Installation Guide
Display	Vertical Installation No
Operation	Projection Front/Upside Down
Management	Auto Screen Adjustment
Network	Geometry Correction Point Correction
Pen/Touch	Digital Zoom
Interactive	Connect ELPCB02 Off
Multi-Projection	Touch Unit
Memory	Remote Receiver Off
ECO	Screen Type 16:9
Initial/All Settings	High Altitude Mode Off
	Reset Installation Settings
	Display
	Pattern Display
	Pattern Type

- Set **Power** to **On**.



The touch unit power turns on and the indicator light turns blue.



Warning

Do not look into the projector's projection window or the touch unit's laser diffusion ports (located on the bottom of the touch unit); this could cause injury to eyesight.



When Power is set to On, the touch unit automatically powers up the next time the projector is turned on.

8 Adjust the angle

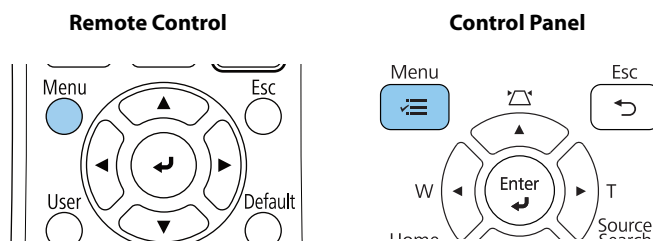
Adjust the angle of the laser light coming from the touch unit so that the touch unit can detect the position of your fingers.



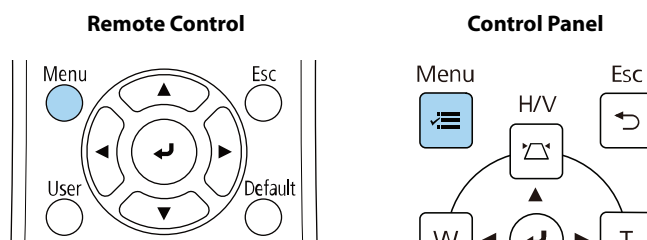
Make sure to calibrate the interactive pen(s) before running touch unit setup. Press the User button on the remote control and select Yes to perform an auto-calibration. Refer to the online *User's Guide* for your projector for detailed instructions on calibrating the pen(s).

- Press the [Menu] button on the remote control or control panel.

BrightLink 1480Fi/1480Fi+/1485Fi/1485Fi+:



BrightLink EB-725Wi/EB-735Fi/EB-760Wi/EB-770Fi:




2. Select **Installation**.
3. Select **Touch Unit**.

Frequently Used Items	Installation	
Image	Fixed Installation	Off
Signal I/O	Test Pattern	
Installation	Setting Plate Installation Guide	
Display	Vertical Installation	No
Operation	Projection	Front/UpSide Down
Management	Auto Screen Adjustment	
Network	Geometry Correction	Point Correction
Pen/Touch	Digital Zoom	▼
Interactive	Connect ELPCB02	Off
Multi-Projection	Touch Unit	
Memory	Remote Receiver	Off
ECO	Screen Type	16:9 ▼
Initial/All Settings	High Altitude Mode	Off
	Reset Installation Settings	
	Display	
	Pattern Display	
	Pattern Type	

4. Select **Touch Unit Setup (Auto)**.

[Touch Unit]	Return
Installation Pattern	
Power	On
Touch Unit Setup (Auto)	
Touch Unit Setup (Manual)	
Touch Calibration	
Calibration Range	Narrow

 **If you're using multiple projectors and the HDMI Out Setting option in the Multi-Projection menu is set to Process Out, follow the on-screen instructions to turn off the Power setting for the touch unit on the next projector you set up.**

5. Select **Installing the Touch Unit with the bracket.**

[Angle Adjustment]

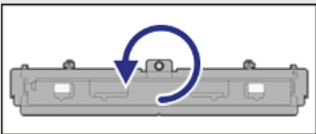
Installing the Touch Unit without the bracket

Installing the Touch Unit with the bracket

When using the Touch Unit Bracket to install the Touch Unit, select "Installing the Touch Unit with the bracket".

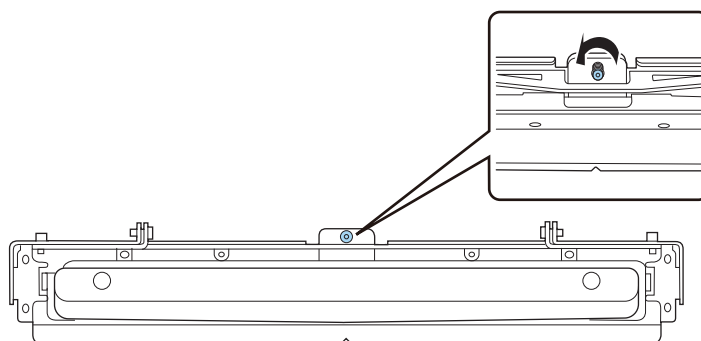
Turn the Adjustment Screw counterclockwise until the screw stops.

Touch Unit Bracket



If the screen for an older model Touch Unit is displayed even though the ELPFT01 is connected, check the connection for the touch unit connection cable.

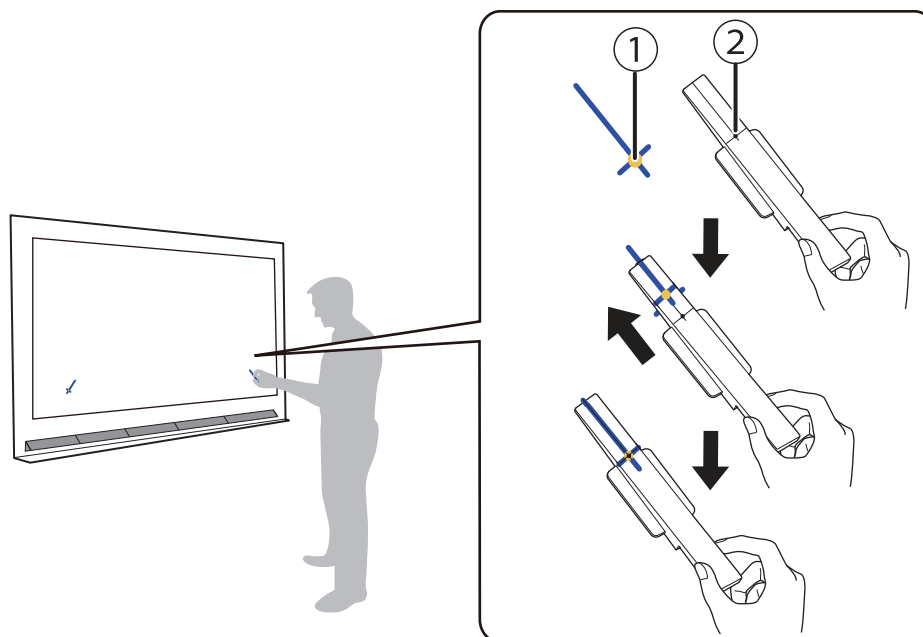
6. Loosen the adjustment screw at the top of the bracket until it stops turning.



Make sure you stop loosening the screw as soon as it stops turning. Continuing to turn the screw may remove it from the bracket.

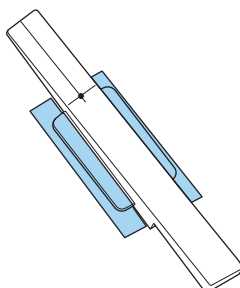
7. Attach the two markers to the positions shown on the projected screen.

Match the positions so that the crosses (①) overlap with the points (②) on the marker positions.
Move the marker over the projected cross until the lines of the cross align with the lines on the marker.



Attach the markers to the projection screen as follows:

- For magnetic screens: Place the bottom of the markers onto the screen.
- For non-magnetic screens: Use the supplied tape to secure the markers.



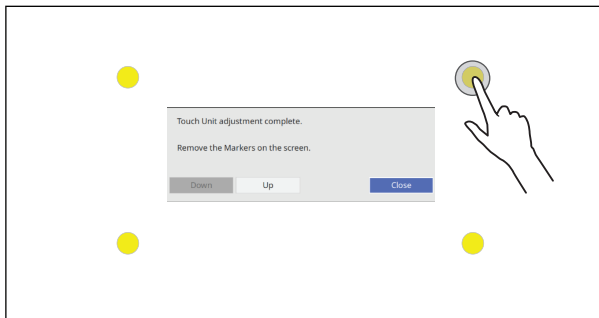
Do not place anything other than the markers near the projected image during angle adjustment. If other objects are on the projected image, angle adjustment may not be performed correctly.

8. Press the [Enter] button on the remote control or control panel to begin the auto adjustment.
9. When adjustments are complete, remove the markers.



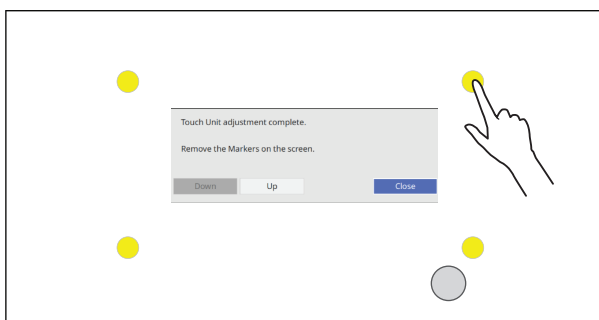
If auto adjustment fails, follow the instructions on the screen to manually adjust the bracket position and run auto adjustment again. If the problem continues to occur even after checking all of the items, run Touch Unit Setup (Manual). For details on manual adjustment, see page 101. If the problem continues to occur, the Touch Unit may be malfunctioning. Contact your dealer.

10. Touch each of the four yellow circles on the screen and verify that the gray touch indicators appear in the correct position.



Finger touch operations may not function correctly if you are wearing bandages, artificial nails, nail polish, or anything else that may obstruct your fingers.

If the gray indicators do not appear where you touched the screen, you need to manually adjust the touch unit alignment.



Select **Up** using the control panel or remote control and press [Enter]. Try touching the four dots again and repeat this process until the touch indicators appear in the correct position.

11. Perform touch calibration by pressing **Menu** on the remote control. On the **Installation** menu, select **Touch Unit**, then **Touch Calibration**. Follow the instructions on the screen.



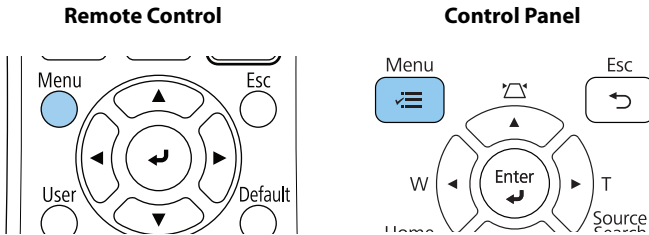
See the online *User's Guide* for more details on the touch calibration.

Manually adjusting the angle of the laser

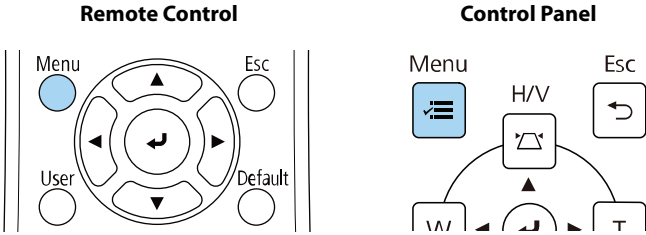
If Touch Unit Setup (Auto) fails, you can make adjustments manually.

1. Press the [Menu] button on the remote control or control panel.

BrightLink 1480Fi+/1480Fi+/1485Fi+/1485Fi+:



BrightLink EB-725Wi+/EB-735Fi+/EB-760Wi+/EB-770Fi+:



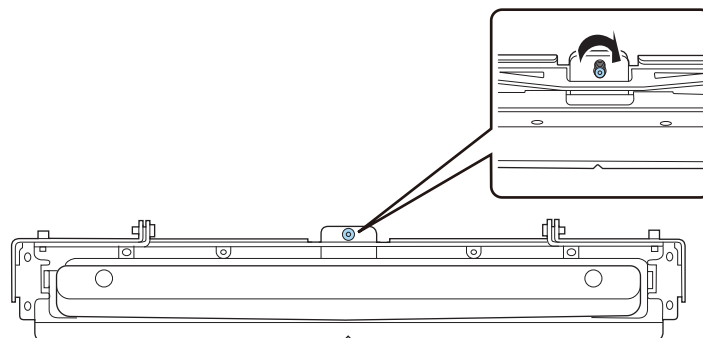
2. Select **Installation**.
3. Select **Touch Unit**.

Frequently Used Items	Installation
Image	Fixed Installation Off
Signal I/O	Test Pattern
Installation	Setting Plate Installation Guide
Display	Vertical Installation No
Operation	Projection Front/UpSide Down
Management	Auto Screen Adjustment
Network	Geometry Correction Point Correction
Pen/Touch	Digital Zoom
Interactive	Connect ELPCB02 Off
Multi-Projection	Touch Unit
Memory	Remote Receiver Off
ECO	Screen Type 16:9
Initial/All Settings	High Altitude Mode Off
	Reset Installation Settings
	Display
	Pattern Display
	Pattern Type

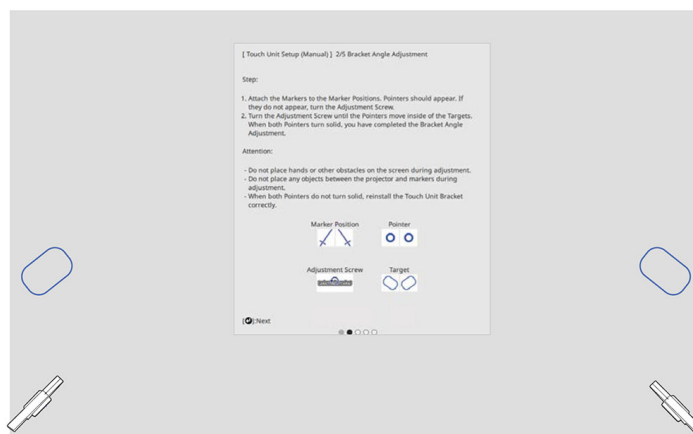
4. Select **Touch Unit Setup (Manual)**.

[Touch Unit]	Return
Installation Pattern	
Power	On
Touch Unit Setup (Auto)	
Touch Unit Setup (Manual)	
Touch Calibration	
Calibration Range	Narrow

5. Select whether or not the Touch Unit bracket is being used.
If you are not using the bracket, skip to step 9.
6. If you are using the Touch Unit bracket, turn the adjustment screw at the top of the bracket clockwise until it stops turning.

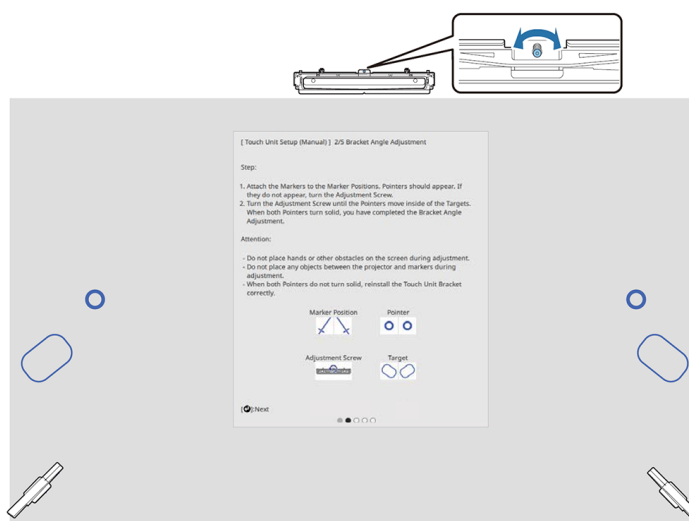


7. Place the two supplied markers on the marker positions on the projected screen and secure them.
When the markers have been secured, pointers appear on the left and right of the projected screen.



If the pointers do not appear, turn the adjustment screw on the top of the Touch Unit bracket until they do.

8. Turn the adjustment screw on the top of the bracket to move the pointers into the targets.

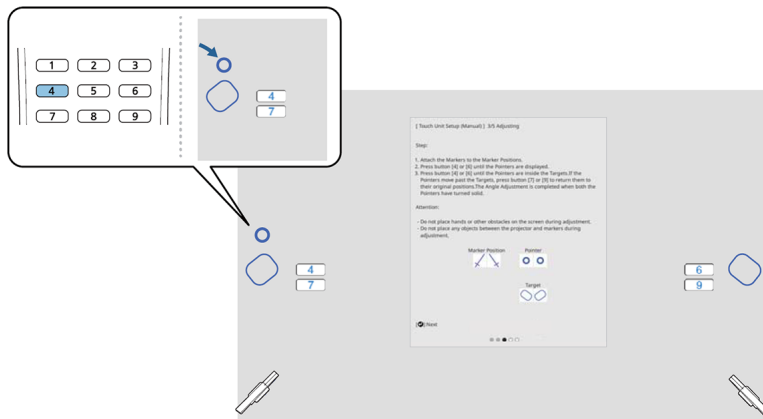


When a pointer is moved into its target, the circle becomes solid. When both left and right pointers are in their targets and solid, press the [Enter] button on the remote control.

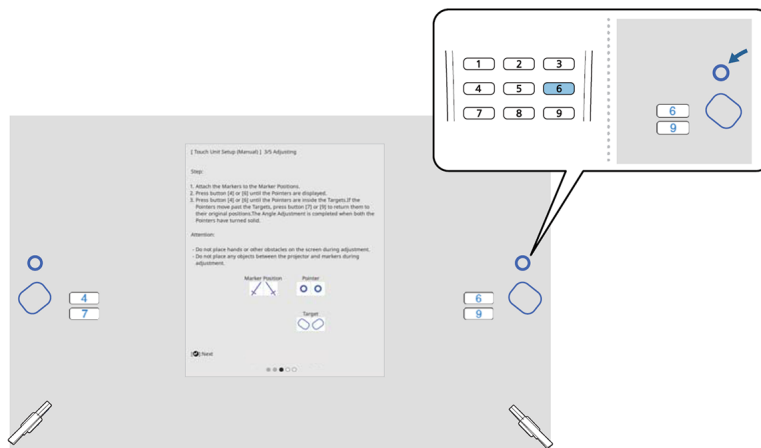
9. Attach the two markers to the positions shown on the projected screen.




10. Press the number [4] button on the remote control until a pointer is displayed on the left of the projected screen.

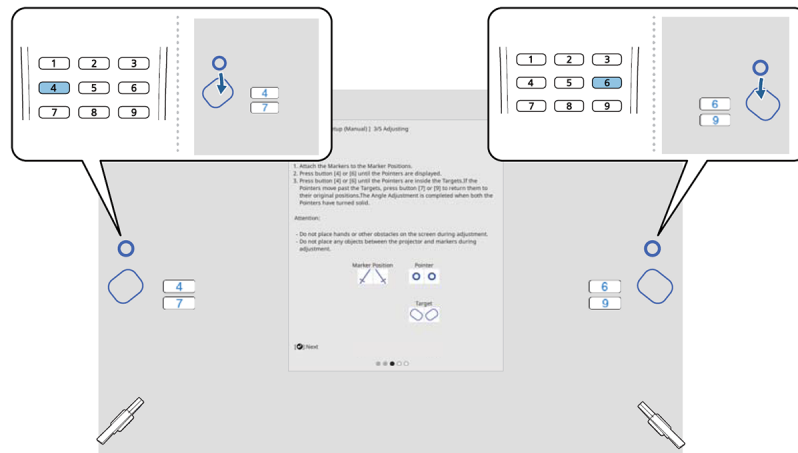


11. Press the number [6] button on the remote control until a pointer is displayed on the right of the projected screen.



 **If the pointer on the left moves off the screen while you are moving the pointer on the right, press the number [7] button on the remote control until it appears again.**

12. Use the number [4] and [6] buttons on the remote control to move the left and right pointers into their targets.

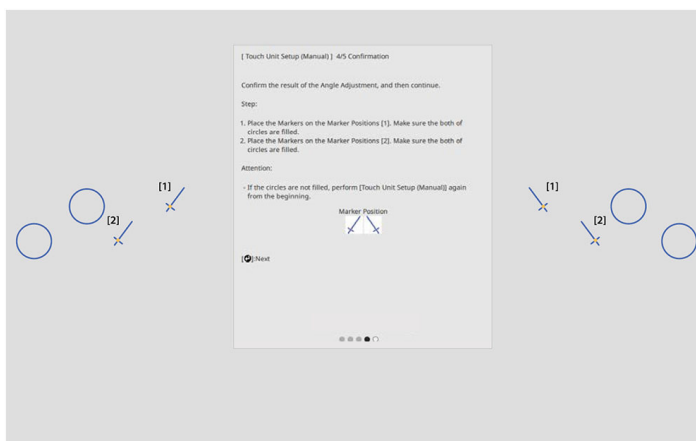


When the pointers are in their targets, the circles become solid. When both left and right pointers are in their targets and solid, press the [Enter] button on the remote control.



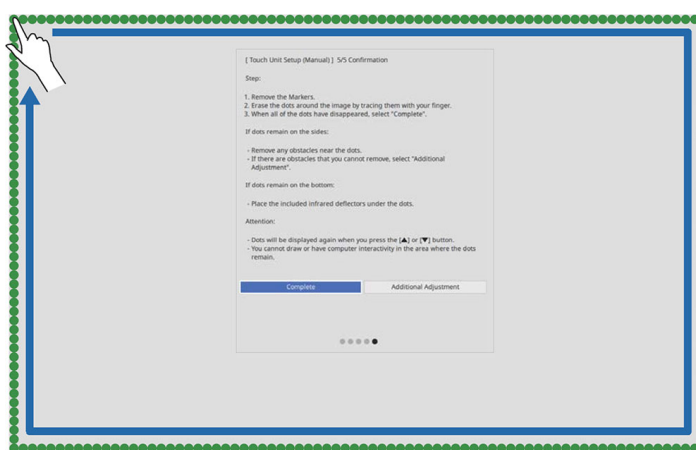
- When you move one pointer, the other pointer moves slightly. Adjust the left and right pointers by alternating their positions a little at a time.**
- If the pointers move beyond the target positions, use the number [7] or [9] buttons on the remote control to move the pointers in the opposite direction.**
- If you cannot move the pointers as intended, press the [Esc] button on the remote control and start over from step 9.**

13. Follow the on-screen instructions to place the markers on the marker positions and then check the adjustment results.



Check that the circles displayed on the projected screen are solid when the markers are placed on the marker positions.

14. Remove the markers and then use your finger to trace the dots on the projected screen.



When all of the dots have disappeared, select **Complete**. If any of the dots do not disappear, select **Additional Adjustment** and follow the on-screen instructions.

15. Test finger touch operation to see if it is functioning correctly. Otherwise, touch calibration may be required.



See the online *User's Guide* for more details on the touch calibration.

9 Installing the HDBaseT Control Pad and Pen Stand

You must install the projector before installing the control pad and pen stand.



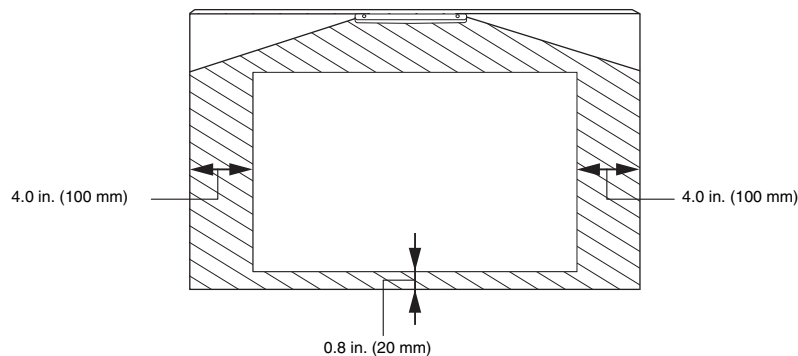
Caution

The control pad should only be connected to the BrightLink 1485Fi/1485Fi+ and PowerLite EB-800F/EB-805F. Do not connect the control pad to any other projectors. Previous Epson control pad models do not support HDBaseT.

Check the installation location

Make sure there is enough space surrounding the control pad to easily connect or disconnect cables.

If you are using the touch unit, make sure that you do not install the control pad or pen stand in the shaded areas of the following figure. The touch unit will not operate correctly if anything is obstructing the infrared signal.



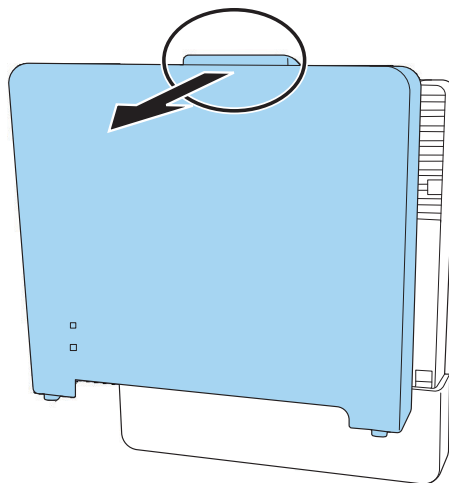
Installing the HDBaseT Control Pad

The Control Pad is included with the BrightLink 1485Fi/1485Fi+ and is an optional accessory for the PowerLite EB-800F/EB-805F.



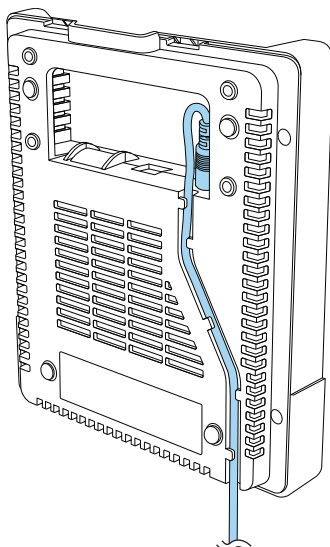
1 Remove the front cover

Grip the hole in the top of the cover and remove it.



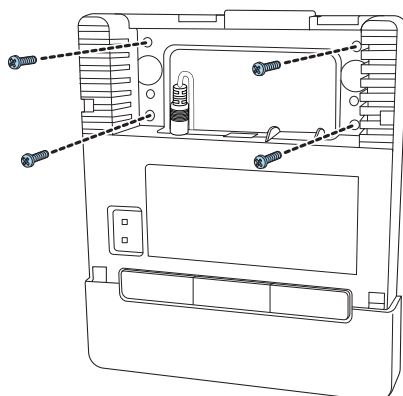
2 Connect the power cable

Connect the power cable and route it down the groove on the back of the control pad.



3 Attach the control pad

Attach the control pad with commercially available M4 × 20 mm screws (×4).



Warning

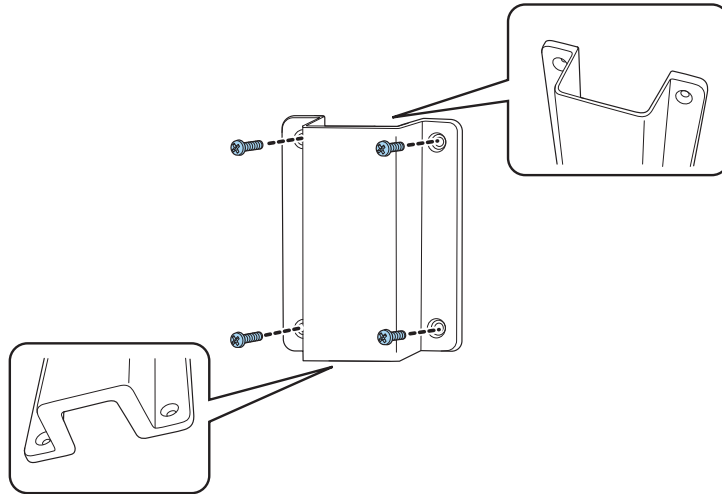
- Make sure the screws are not angled.
- Make sure the control pad is firmly attached.
- Do not attach the control pad with double-side tape or magnets.



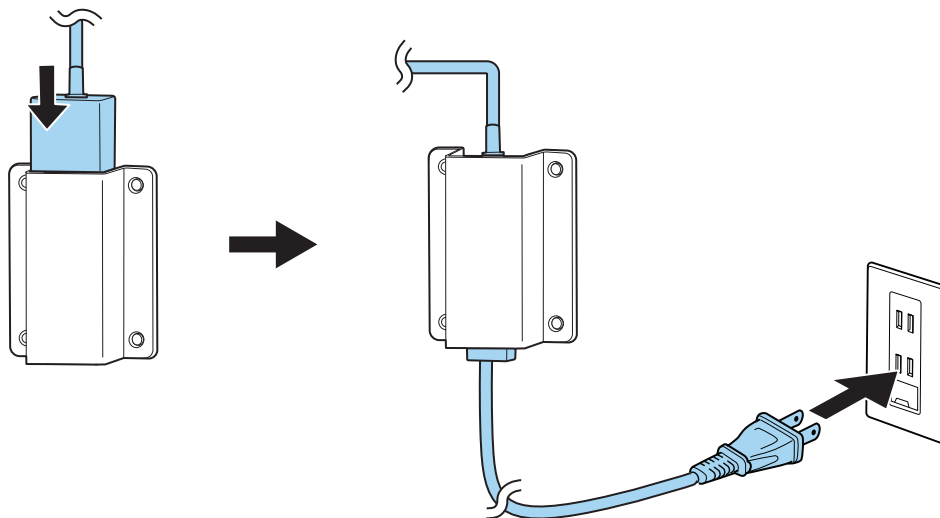
Check that the control pad is operating correctly before attaching it with the screws.

4 Secure the AC adapter

Secure the AC adapter holder to the wall using M4 screws (x4)



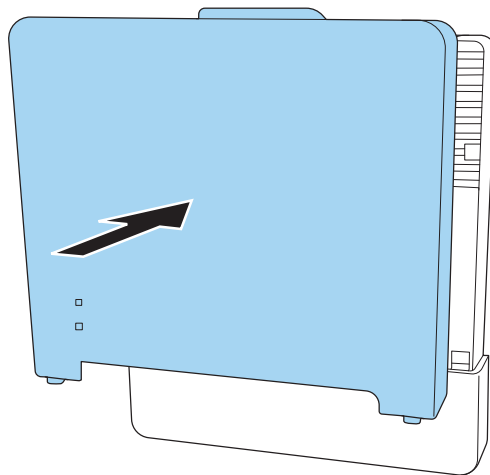
Slide the AC adapter into the holder and connect the power cable.



5 Connect the projector cables to the control pad

See the connection example on page 19 for details.

6 Attach the front cover

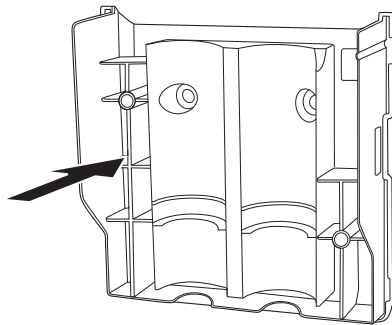


Installing the pen stand

The pen stand is included with the BrightLink 1485Fi/1485Fi+/EB-725Wi/EB-735Fi/EB-760Wi/EB-770Fi. You can secure the pen stand with commercially-available M4 screws (not included) or the attached magnets.

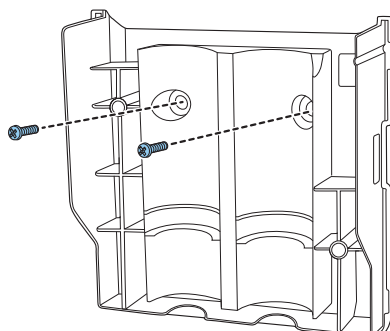
1 Secure the pen stand:

- If your whiteboard is magnetic, you can use the magnets on the back of the pen stand to secure it.

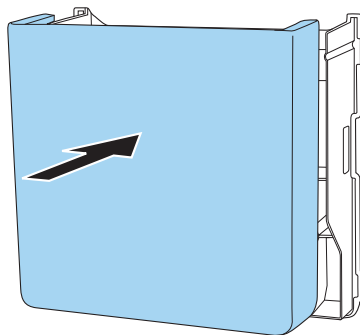


You need to leave a gap of at least 3.9 inches (100 mm) between the pen stand and the left or right side of the projected image or the touch feature may not function properly. If you are unable to leave this gap, install the pen stand on the wall next to the whiteboard.

- If you don't have a magnetic whiteboard or are unable to fit the pen stand on the whiteboard with the proper gap around the projected image, use commercially-available M4 screws (not included) to secure it to the wall.



2 Attach the pen stand cover.



10 Appendix

Using the Easy Interactive Function

After you install your BrightLink projector (and the Touch Unit, if applicable), you need to perform calibration to align the positions of the cursor and your interactive pen(s) (and finger, if the Touch Unit is installed). See the projector's online *User's Guide* or *Start Here* folder for detailed instructions.

In order to use the Easy Interactive Tools software, you must first install the software on your computer. Mac users also need to install a driver that enables pen or finger touch interactivity to work. Both software programs are available for download.

For details, see the online *User's Guide* or visit the following site and search for your product:

U.S.: <http://epson.com/support/brightlinkdownloads>

Canada: <http://epson.ca/support/brightlinkdownloads>

Latin America: <http://latin.epson.com>

Using Auto Screen Adjustment



If possible, avoid adjustments with the Auto Screen Adjustment, Quick Corner, or Keystone functions of the projector. Doing so may result in a reduction in image quality and pen or finger touch calibration.

The Auto Screen Adjustment feature automatically corrects the position and shape of any image that is 110 inches or smaller diagonally. This feature is only available on the BrightLink 1480Fi/1480Fi+/1485Fi/1485Fi+/EB-725Wi/EB-735Fi/EB-760Wi/EB-770Fi.

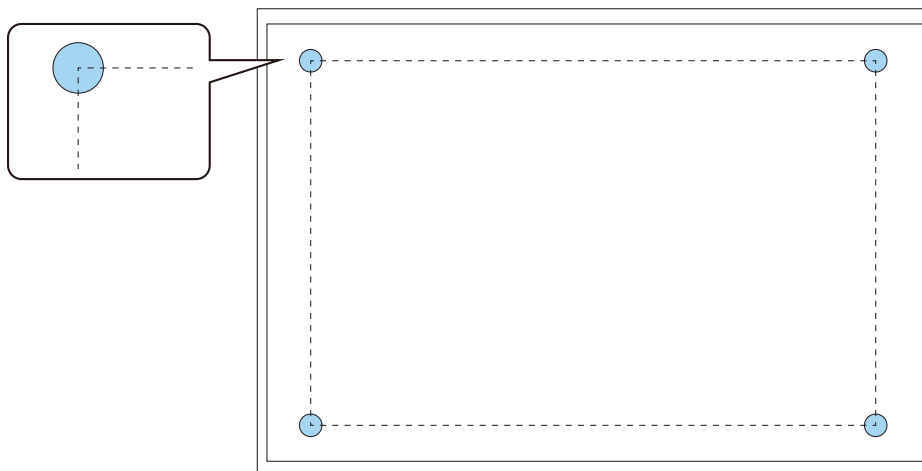


Make sure you select the correct Screen Type setting before performing the Auto Screen Adjustment. Changing the Screen Type will reset any screen adjustments. See page 66 for more information.

The Auto Screen Adjustment may not work properly if:

- The projection surface is not flat.**
- There are patterns, obstructions, or dirt/debris on the projection surface.**

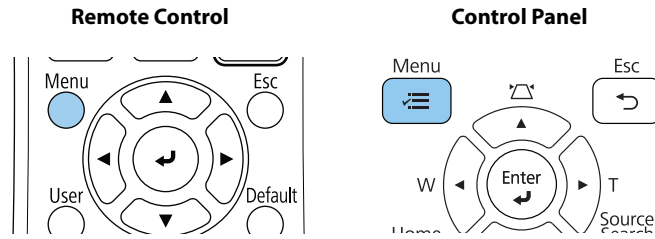
1. Place one corner marker in each corner of the intended image location.



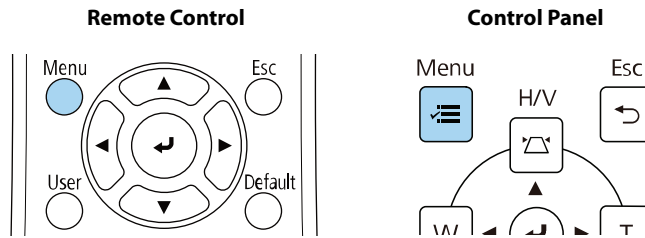
The corner marker stickers can only be placed once. If you want to re-use the markers, attach them to the included magnets.

2. Press the [Menu] button on the remote control or control panel.

BrightLink 1480Fi/1480Fi+/1485Fi/1485Fi+:



BrightLink EB-725Wi/EB-735Fi/EB-760Wi/EB-770Fi:

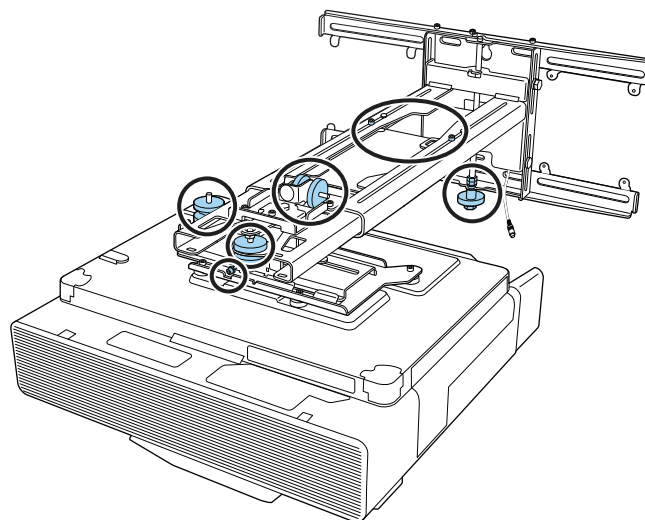


3. Select **Installation**.

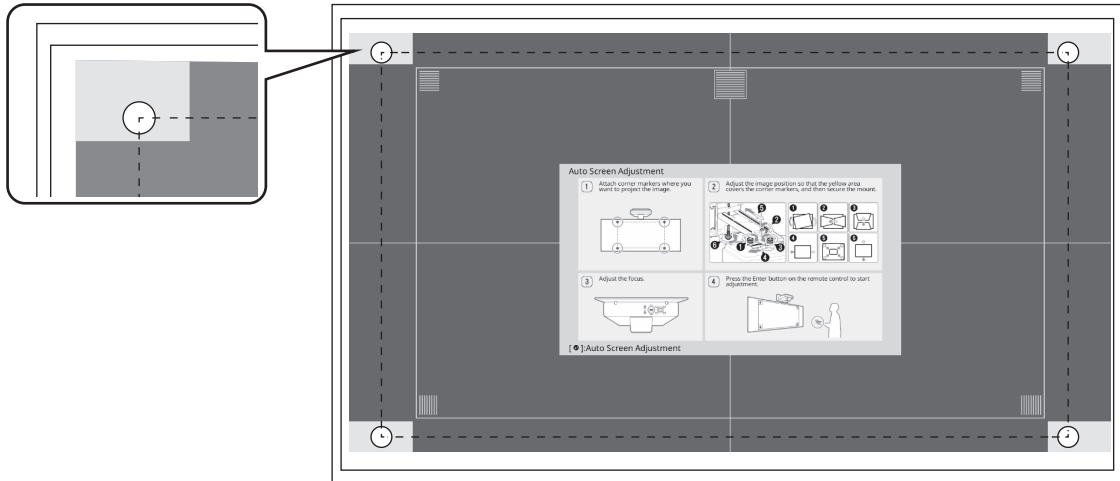
4. Select **Auto Screen Adjustment**.

Frequently Used Items	Installation	
Image	Fixed Installation	Off
Signal I/O	Test Pattern	
Installation	Setting Plate Installation Guide	
Display	Vertical Installation	No
Operation	Projection	Front/Upside Down
Management	Auto Screen Adjustment	
	Geometry Correction	Point Correction
Network	Digital Zoom	▼
Pen/Touch	Connect ELPB02	Off
Interactive	Touch Unit	
Multi-Projection	Remote Receiver	Off
Memory	Screen Type	16:9 ▼
ECO	High Altitude Mode	Off
Initial/All Settings	Reset Installation Settings	
	Display	
	Pattern Display	
	Pattern Type	

5. Loosen all of the adjustment dials and screws.



- Adjust the projector position so that the corner markers are completely within the highlighted areas in the corners of the image.

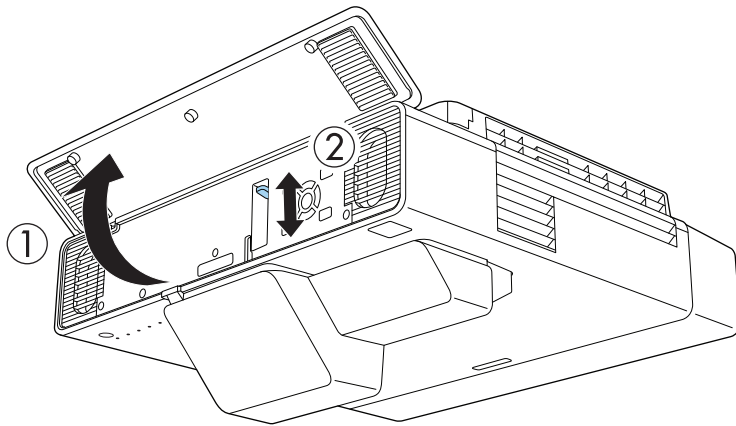


- Tighten any adjustment dials and screws that you previously loosened.

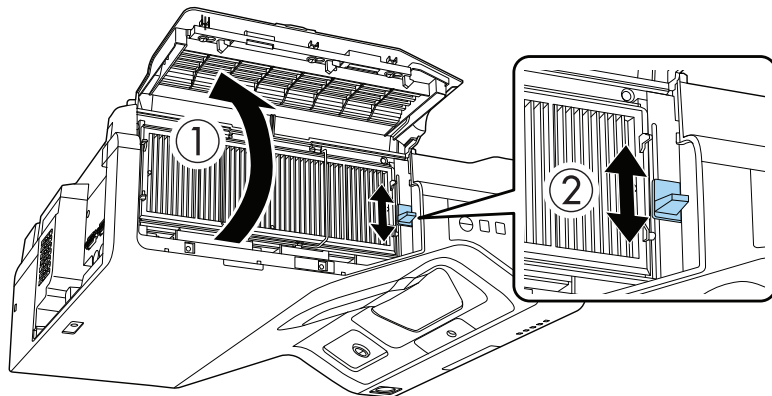
Warning
Tighten all screws firmly. Otherwise, the projector or wall mount may fall and cause personal injury or property damage.

- Open the front cover (1).
- Use the focus lever to adjust the focus (2).

BrightLink 1480Fi/1480Fi+/1485Fi/1485Fi+:



BrightLink EB-725Wi/EB-735Fi/EB-760Wi/EB-770Fi:



- After you finish making the adjustment, close the front cover.

- Press the [Enter] button on the remote control or control panel to begin the adjustment.
Once the adjustment is complete, you can use the Quick Corner setting to make further adjustments. Using the Arc Correction or Point Correction options will reset your previous adjustments.

Making Additional Screen Adjustments



If possible, avoid adjustments with the Auto Screen Adjustment, Quick Corner, or Keystone functions of the projector. Doing so may result in a reduction in image quality and pen or finger touch calibration.

Correcting the Image Shape on a Curved Screen

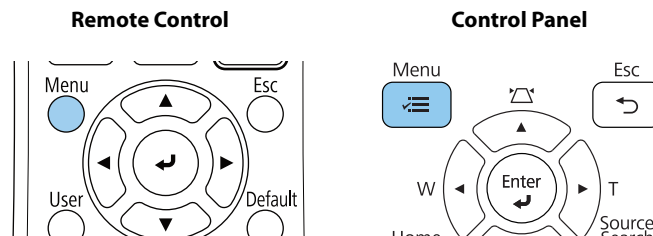
If you are projecting on a curved screen, adjust the Arc Correction setting to correct the image shape.



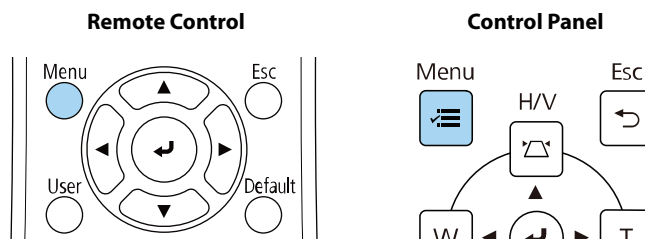
Touch unit installation requires a projection surface that is flat, smooth, and unwarped with no more than 0.2 inch (5 mm) of unevenness in any direction on the screen surface.

- Press the [Menu] button on the remote control or control panel.

BrightLink 1480Fi/1480Fi+/1485Fi/1485Fi+ and PowerLite EB-800F/EB-805F:



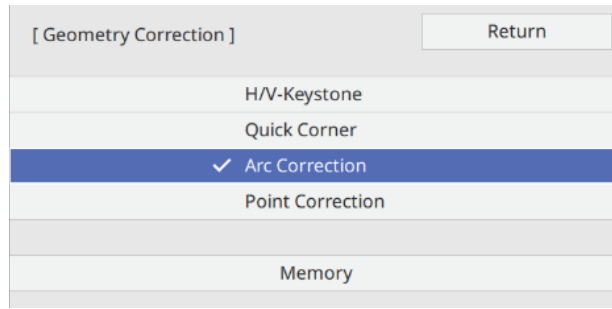
BrightLink EB-725Wi/EB-735Fi/EB-760Wi/EB-770Fi and PowerLite EB-720/EB-725W/EB-750F/EB-755F/EB-760W/EB-770F/EB-775F:



- Select **Installation**.
- Select **Geometry Correction**.

Frequently Used Items	Installation	
Image	Fixed Installation	Off
Signal I/O	Test Pattern	
Installation	Setting Plate Installation Guide	
Display	Vertical Installation	No
Operation	Projection	Front/Upside Down
Management	Auto Screen Adjustment	
Network	Geometry Correction	Point Correction
Pen/Touch	Digital Zoom	▼
Interactive	Connect ELPB02	Off
Multi-Projection	Touch Unit	
Memory	Remote Receiver	Off
ECO	Screen Type	16:9 ▼
Initial/All Settings	High Altitude Mode	Off
	Reset Installation Settings	
	Display	
	Pattern Display	
	Pattern Type	

4. Select **Arc Correction**.



5. Select the area that you want to correct.



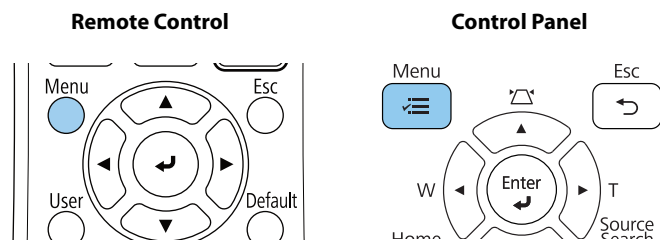
- 6. Use the arrow buttons on the remote control or control panel to change the shape of the selected area.
- 7. Repeat steps 5 and 6 to adjust any additional areas.

Correcting the Corner Shape

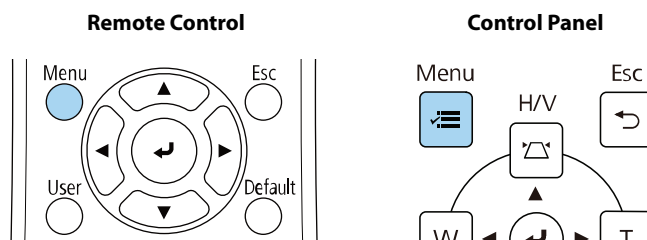
You can adjust the shape of the image corners with the Quick Corner setting.

- 1. Press the [Menu] button on the remote control or control panel.

BrightLink 1480Fi/1480Fi+/1485Fi/1485Fi+ and PowerLite EB-800F/EB-805F:



BrightLink EB-725Wi/EB-735Fi/EB-760Wi/EB-770Fi and PowerLite EB-720/EB-725W/EB-750F/EB-755F/EB-760W/EB-770F/EB-775F:



- 2. Select **Installation**.

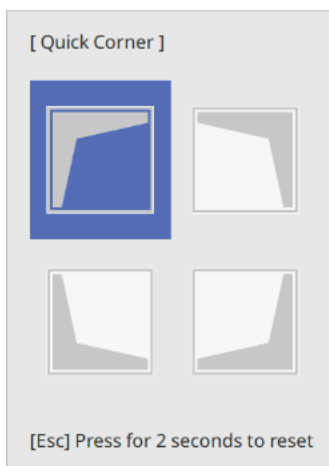
3. Select **Geometry Correction**.

Frequently Used Items	Installation
Image	Fixed Installation Off
Signal I/O	Test Pattern
Installation	Setting Plate Installation Guide
Display	Vertical Installation No
Operation	Projection Front/Upside Down
Management	Auto Screen Adjustment
Network	Geometry Correction Point Correction
Pen/Touch	Digital Zoom
Interactive	Connect ELPB02 Off
Multi-Projection	Touch Unit
Memory	Remote Receiver Off
ECO	Screen Type 16:9
Initial/All Settings	High Altitude Mode Off
	Reset Installation Settings
	Display
	Pattern Display
	Pattern Type

4. Select **Quick Corner**.

[Geometry Correction]	Return
H/V-Keystone	
✓ Quick Corner	
Arc Correction	
Point Correction	
Memory	

5. Select the corner that you want to correct.



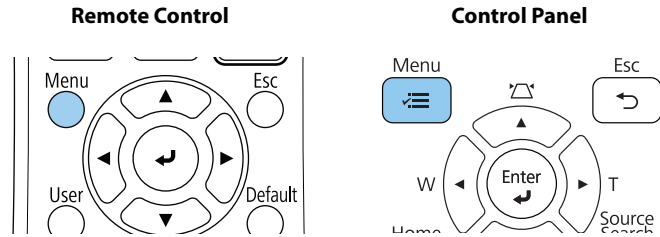
6. Use the arrow buttons on the remote control or control panel to change the shape of the selected corner.
7. Repeat steps 5 and 6 to adjust any additional corners.

Correcting the Image Shape at Individual Points

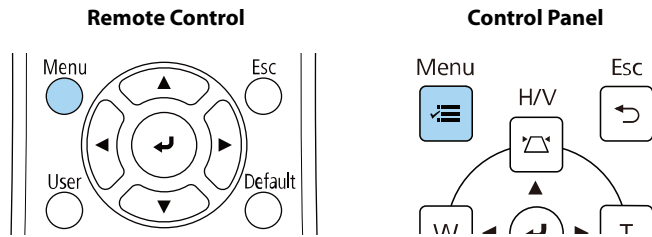
You can adjust the image at specific points with the Point Correction setting.

1. Press the [Menu] button on the remote control or control panel.

BrightLink 1480Fi/1480Fi+/1485Fi/1485Fi+ and PowerLite EB-800F/EB-805F:



BrightLink EB-725Wi/EB-735Fi/EB-760Wi/EB-770Fi and PowerLite EB-720/EB-725W/EB-750F/EB-755F/EB-760W/EB-770F/EB-775F:



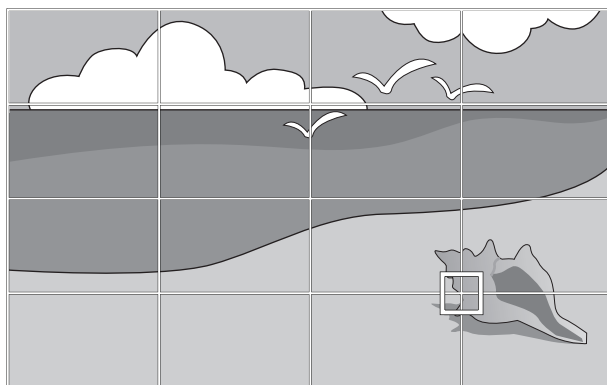
2. Select **Installation**.
3. Select **Geometry Correction**.

Frequently Used Items	Installation	
Image	Fixed Installation	Off
Signal I/O	Test Pattern	
Installation	Setting Plate Installation Guide	
Display	Vertical Installation	No
Operation	Projection	Front/Upside Down
Management	Auto Screen Adjustment	
Network	Geometry Correction	Point Correction
Pen/Touch	Digital Zoom	
Interactive	Connect ELPB02	Off
Multi-Projection	Touch Unit	
Memory	Remote Receiver	Off
ECO	Screen Type	16:9
Initial/All Settings	High Altitude Mode	Off
	Reset Installation Settings	
	Display	
	Pattern Display	
	Pattern Type	

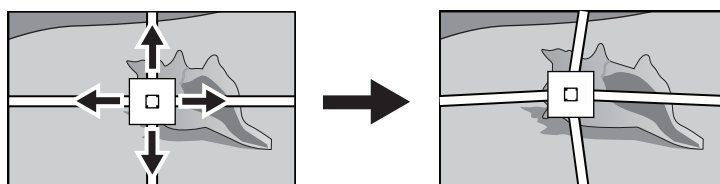
4. Select **Point Correction**.

[Geometry Correction]	Return
H/V-Keystone	
Quick Corner	
Arc Correction	
✓ Point Correction	
Memory	

5. Select the point on the grid that you want to correct.



6. Use the arrow buttons on the remote control or control panel to change the shape of the selected point.



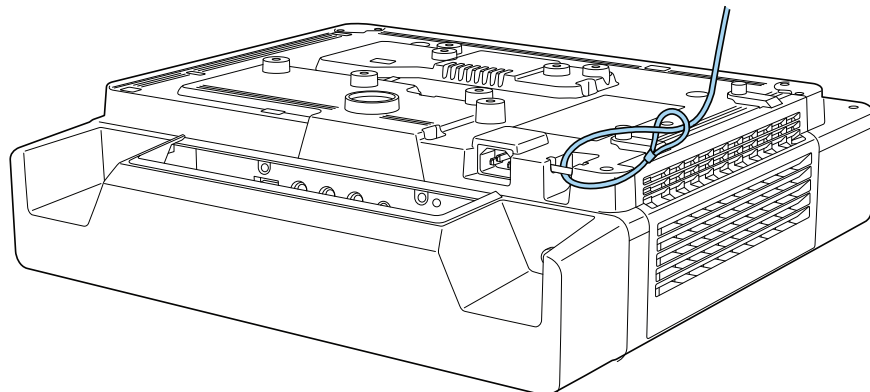
7. Repeat steps 5 and 6 to adjust any additional areas.

Attaching a Security Cable

If the projector is to be installed in a room where it will be left unattended, you can use a commercially available theft-prevention wire lock to secure the projector to a post or other object to prevent someone from taking it.

Pass the wire for the theft-prevention wire lock through the security cable installation point.

For details on how to lock the wire lock, refer to the *User's Guide* supplied with the wire lock.



If applicable, make sure you leave the remote control, batteries, interactive pen(s), and pen tray in the room with the projector. If your projector came with a product-specific installation guide or an installation leave-behind list, use that list instead of this one. The accessories included with the projector vary by model and region.