

# ERGO DESKTOP

HOME OF THE KANGAROO ADJUSTABLE HEIGHT DESK

## THE ELECTRIC KANGAROO PRO



**WARNING: FAILURE TO COMPLY WITH OR OBSERVE ALL ASSEMBLY, SAFETY AND OPERATION INSTRUCTIONS AND WARNINGS REGARDING THE USE OF THIS PRODUCT MAY RESULT IN SERIOUS BODILY INJURY AND PROPERTY DAMAGE.**

Prior to installment, use, and maintenance of the Ergo Desktop, any installer and any user of the Ergo Desktop must study this assembly and operation manual carefully, so as to gain a complete understanding of its contents. Assure that everyone who uses the Ergo Desktop is informed of the contents of this manual. This is the responsibility of the Purchaser.

Please read the operation manual prior to the start of using the Ergo Desktop. It provides you with important information about safety, use, installation, and maintenance of the Ergo Desktop, and thus protecting you, your children, and avoiding damage on the Ergo Desktop and surrounding personal property. Please guard this operation manual and pass it on to any future owner! Safe use of the Ergo Desktop is possible only when the operating instructions are read completely and the instructions contained are strictly observed. Assure that this manual is located near the Ergo Desktop, and if possible, permanently affixed to the desktop.

Failure to comply with these warnings and the operation manual may result in serious damage to the system, one of the system's components, serious bodily injury, and/or damage to property. Persons who do not have the necessary experience or knowledge of the Ergo Desktop must not use the product. Inappropriate use may cause damage to persons, property, and desktop.

**CHILDREN SHOULD NOT USE THE ERGO DESKTOP!**

Do not crawl, lie, or move around under the desktop frame. Do not sit, kneel, or stand on the desktop frame.

The electromotive, height-adjustable desktop and shelves are designed for workstations in dry work environments only. They have not been designed for other purposes than those included in this manual (i.e. they are not to be used in areas of high humidity or dampness, nor for lifting people). Any other use is at one's own risk! The desktop height is infinitely adjustable up to 20.5 inches (52.07 cm), so that it can be set to the most ergonomically suitable working level.

**Liability:** The manufacturer accepts under no circumstances warranty claims or liability claims for damages arising from improper use or handling of the desktop other than that described herein. The Ergo Desktop should be connected to a 120 VAC outlet. Place the Ergo Desktop in a safe distance from window frames, radiators, furniture etc., so that people do not get stuck. The stabilization legs should be used when the Ergo Desktop work surface is not in the lowest position. Do not place any objects or body parts underneath the desktop table, monitor shelves, rails, main horizontal work surface, and base of the Ergo Desktop (except for the stabilization legs). Make sure no body parts, objects, or furnishings (i.e. cabinets, light fixtures, bookcases, desk credenzas, desk hutches, etc.) are located above the Ergo Desktop (which includes any laptops and/or monitors attached to the desktop). When using the Ergo Desktop, make sure no fingers, hands, or other body parts are placed near the lifting tower or between any of the shelves or work surfaces.

Adults with reduced physical or mental abilities must not use the Ergo Desktop, unless they have been thoroughly instructed in the use of the apparatus and supervised by a person who is responsible for the safety of these adults. Ergo Desktop is intended for use on level desks. If you determine that your desk is unlevel, you may wish to improve the firmness of your desk prior to installing the Ergo Desktop. The base of the Ergo Desktop should be placed on a level surface measuring no less than 18" x 18" (60.96 cm x 60.96 cm). Only a keyboard and computer mouse should be placed on the Ergo Desktop work surface. Do not put pressure on the edge of the work surface without the stabilization leg in place.

**Extra Warnings:** Do not use the Ergo Desktop if it has a damaged cord or plug. Do not pull or carry the Ergo Desktop by the cord, use cord as a handle, close a door on the cord, or pull cord around sharp edges or corners. Keep cord away from heated surfaces. Do not unplug by pulling on cord. To unplug, grasp the plug; not the cord. Do not handle the Ergo Desktop with wet hands. Keep all liquids away from the Ergo Desktop. Do not put any object or body part into openings. Keep hair, loose clothing, fingers and all body parts way from openings and moving parts.

**STAY ALERT.** Do not use the Ergo Desktop when you are tired, distracted or under the influence of drugs, alcohol or medication causing diminished control.

**Before Installation, Re-installation, or Troubleshooting:**

Stop the Ergo Desktop. Switch off the power supply and pull out the main power supply plug. Relieve the Ergo Desktop of any loads. If there is visible damage on the product, it must not be installed.

**Before Start-up:**

Make sure Ergo Desktop has been installed as specified in this manual. System Connection - the individual parts must be connected before the control box is connected to the main power supply. If the control box makes unusual noises or has an odor, switch off the main power supply and contact us immediately. Make sure the cables are not damaged. Make sure that no cables or cords can get jammed or stripped when raising or lowering the Ergo Desktop. Make sure all cables and wires are not entangled with the Ergo Desktop and have enough length when the desktop is raised to the desired height. Be sure to measure the monitor stand and/or laptop before placing it on the monitor shelf, to insure that the monitor shelf is large enough to hold the monitor stand and/or laptop. When the Ergo Desktop has been assembled (see assembly instructions in the attached manual) the feet should be installed so that the desktop is level and does not shift.

**Maintenance:**

Stop the Ergo Desktop. Switch off the power supply and pull out the main power supply plug. Clean dust and dirt on the outside of Ergo Desk and other components at regular intervals. Inspect the connections, cables, and plugs and check for correct functioning as well as the security of the connection points. The cleaners and disinfectants must not be highly alkaline or acidic.

**2 YEAR LIMITED WARRANTY**

This warranty covers any defects in materials and workmanship of the enclosed product. Ergo Desktop LLC will repair or replace any defective materials due to craftsmanship of the product. This warranty does not cover any problem or injury caused by misuse, abuse, accidents, or acts of God, such as floods or hurricanes. Also consequential and incidental damages are not covered under this warranty. Coverage terminates if you sell or otherwise transfer ownership of the product. If you feel you have a defective product, please call 1-866-232-7988 or email info@ergodesktop.com for instructions prior to returning this item. A Return Authorization Number is required before sending back. Please ship all returns to:

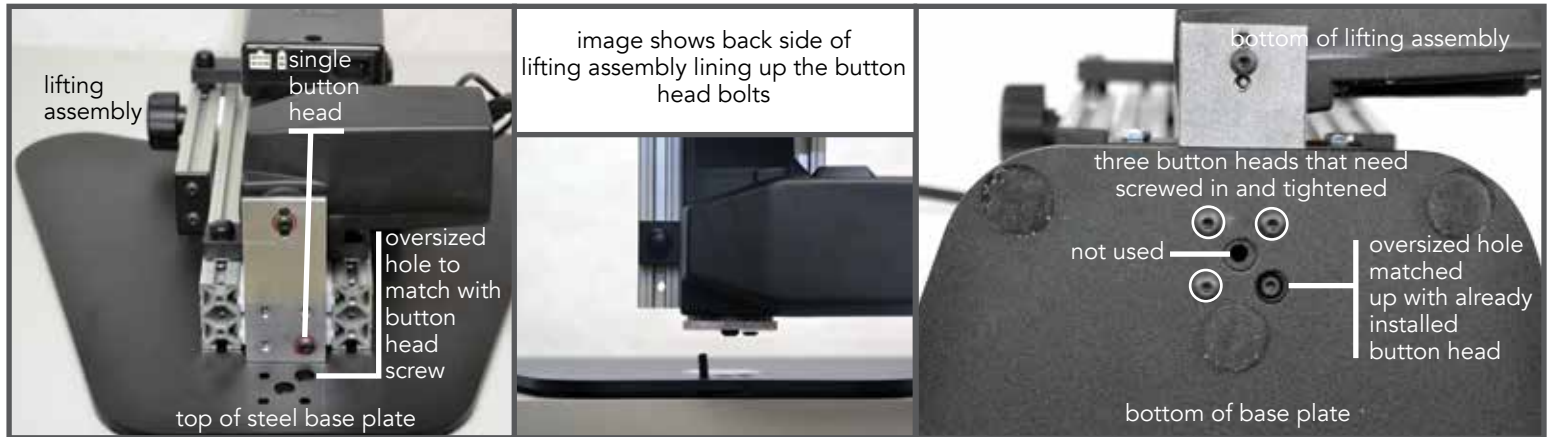
Ergo Desktop LLC  
457 Grand Lake Road  
Celina, OH 45822

We will inspect the product and contact you within a timely manner to give you the results of our inspection. We reserve the right to repair or replace the product at our discretion. However, we may replace the product with the same or greater features. This limited warranty gives you specific legal rights, and you may also have other rights which vary from state to state.

# THE ELECTRIC KANGAROO PRO - Assembly Instructions

## Assembly Parts list

- A. (6) Black Screw Covers
- B. (2) 1/4-20 x 3.50 Hex Head Bolts
- C. (1) 5/32 Allen Wrench
- D. (2) Fender Washers
- E. (2) Acorn Nuts
- F. (3) 1/4-20 x 7/8 BHCS **(THESE 3 ARE ALREADY THREADED IN THE LIFT ASSEMBLY)**
- G. (2) Thick Black Washers
- H. (1) 7/16 Wrench
- I. (2) Locking Star Washers



Step 1, 2

Step 3

Step 4

## Steps 1-4 attaching the steel base plate to the lifting assembly

**Step 1:** Lay the lifting assembly on a solid surface with the back side up as shown. Notice the circled Button Head Bolt in the assembly union plate. **DO NOT LOOSEN THE SINGLE BUTTON HEAD BOLT THAT IS NOTATED. LOOSEN AND REMOVE THE 3 OTHER BOLTS TO ADD THE LIFTING ASSEMBLY TO THE BASE PLATE.**

**Step 2:** Notice the (2) oversized holes in the Base Plate. The Single Button Head Bolt will go into the oversized hole on the top right, while the other 3 holes should line up with the base. The center oversized hole is not used with this unit.

**Step 3:** With the Base Plate over hanging the table about 2 inches, hold the Lifting Assembly above the Base Plate and align the Single Button Bolt into the oversized hole. Place (1) 1/4-20 x 7/8 BHCS{F} through the base plate to screw in the lifting assembly. \*DO NOT OVER TIGHTEN AT THIS POINT, WAIT UNTIL ALL BUTTON HEADS HAVE BEEN ADDED.

**Step 4:** Insert and thread the other (2) 1/4-20 x 7/8 BHCS{F} through the Base Plate and into the Lifting Assembly. Once all (3) bolts are threaded in, tighten securely with the 5/32 allen wrench{C}. Lifting Assembly should be flat against the Base and all three bolts should look like the picture above.

# THE ELECTRIC KANGAROO PRO

**Step 5: Connecting the power for the lifting assembly.** Go to the back of the lifting assembly and turn the power box to the left. Push the plug securely into the power box. Tilt back to a vertical position.



**Step 6: Connecting the controller from the shelf and cable to the actuator/motor.** Connect the cable from the controller into port "A1" on the power box. Then connect the loose cable from the motor to the provided extension cable. Plug the other end into the control box on the back into port 1 on the far right.



Provided Extension Cable



Shelf and controller button



## Raise the lifting assembly to attach the shelf button and work surface



Once you have connected your cables, plug the unit into an outlet and press up against the bottom of the button, you will feel a 'click'. Raise the unit 3/4 of the way up like the picture to the left.

We suggest keeping the lifting assembly raised up, to step 12. Once step 12 is completed the unit can be lowered to the complete sitting position.

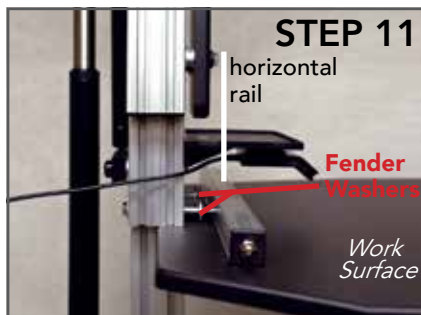


**Step 7: Installing the electric switch (DPG1C) and phone tray.** After the base has been attached, prep the tray by unscrewing the e-nuts until they are on the end of the bolt. Slide the tray on using the vertical channels of the lifting assembly as shown. Slide the tray up about 2 inches (this can be changed at any time), and lightly tighten the two bolts with the provided allen wrench.

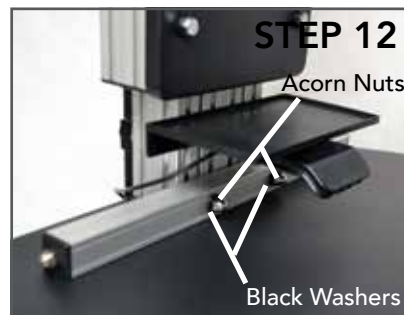
**Step 8:** Put (1) Locking Star Washer{I} on each of the 1/4 -20 x 3.50 Hex Head Bolts{B}.

**Step 9:** Insert the (2) 1/4-20 x 3.50 Hex Head Bolts{B} through the holes in the Vertical Rail.

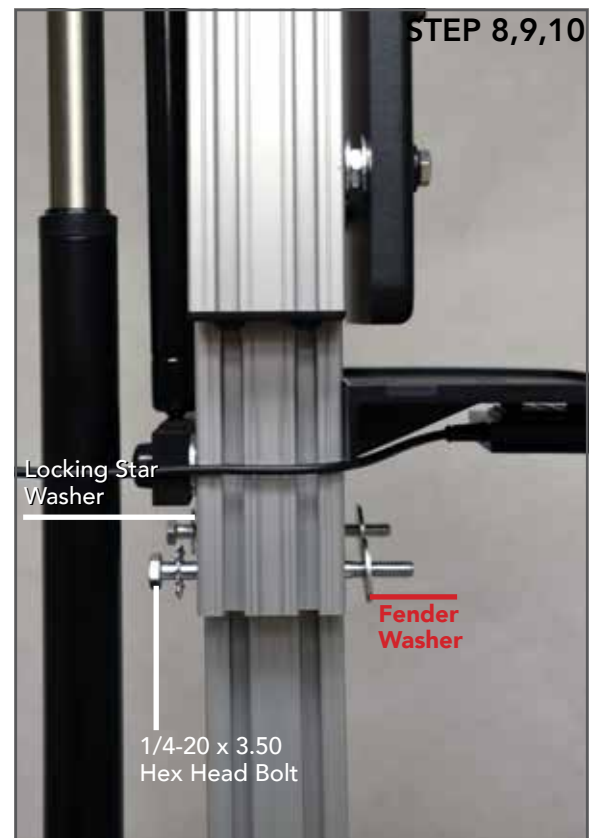
**Step 10: Put (1) Fender Washer{D} on each of the 1/4-20 x 3.50 Hex Head Bolts{B} on the other side of the Vertical Rail.**



**Step 11:** Lift the Work Surface up and align the holes in the Horizontal Rail with the (2) 1/4-20 x 3.50 Hex Head Bolts{B}. Push the Work Surface onto the Hex Head Bolts until the threads of the bolts come through the Horizontal Rail.



**Step 12:** Put (1) Black Washer{G} and (1) Acorn Nut{E} on the end of each of the Hex Head Bolts. Using the 7/16 wrench{H} tighten the Acorn Nuts securely.



# THE ELECTRIC KANGAROO PRO - Assembly Instructions

## THE CONTROL BUTTON

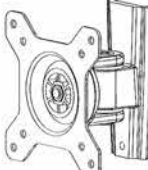

The controller button now has expanded features including bluetooth, memory settings, digital display, sit/stand reminders, and auto-drive. To learn the programming functions, faqs, and troubleshooting of the control button please visit the orange link below or scan the qr code to the right. For basic operation simply press down on the controller to lower and lift the controller to raise. Your unit is pre-programmed to only auto-drive when favorite heights are set. If there are no favorites the unit will only move continuously while holding the button down.



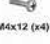

**!!!!ALERT** when using autodrive you accept full responsibility when operating the desk and understand the danger that can occur. Make sure no items are between the work surface and base plate when lowering or above the unit when raising!!!



[HTTPS://WWW.ERGODESKTOP.COM/SITES/DEFAULT/FILES/ERGO-CONTROL-MANUAL.PDF](https://www.ergodesktop.com/sites/default/files/ergo-control-manual.pdf)


Follow the instructions below to mount your monitor.

**A**  **B** 


**ALREADY ATTACHED TO YOUR UNIT**


**C**  M4x12 (x4)  M4x30 (x4)

**D**  M6x12 (x4)  M6x30(x4)



**E**  16x8x20 (x4)

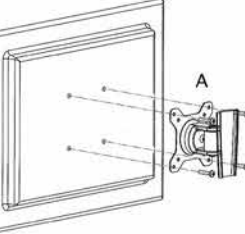

**F** **NOT REQUIRED**  
M10x51 (x2) Q8x40 (x2)

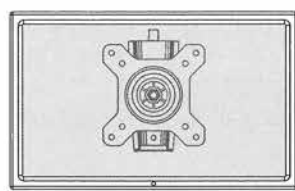

**G**  S=3mm (x1)

**1.**  Try using the shortest screw to mount your monitor to prevent screwing into the internal components of the monitor.

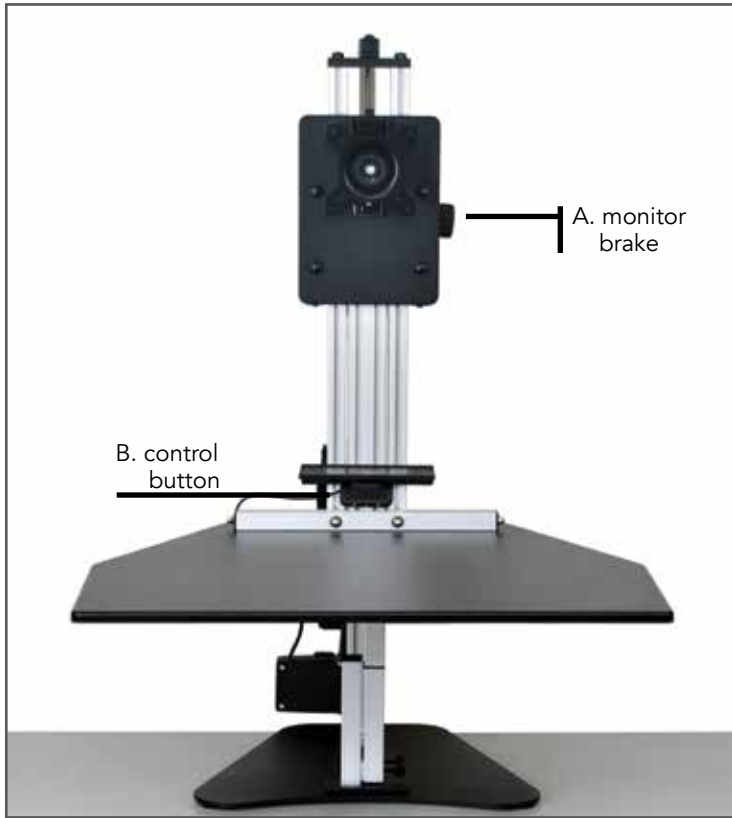
**OR**

**Option**  C-D  E

**2.**  Lock screw  Once slid into place use the provided allen wrench to tighten the silver set screw to lock the bracket in place.

**3.**  

# THE ELECTRIC KANGAROO PRO - IN USE INSTRUCTIONS



The Electric Kangaroo Pro is designed to hold (1) monitor on a VESA 75 x 75 or 100 x 100mm compatible bracket and your keyboard and mouse on the main work surface. **The Electric Kangaroo Pro has a spring that assists in raising your monitor and works best when your monitor is in place. This reduces the amount of pressure needed to raise and lower the monitor.**

The main work surface is powered by an electric motor and can lift up to 150lbs. When raising and lowering the unit, please be aware of your surroundings and cable lengths. When lowering be sure to remove the leg and make sure no objects are obstructing the down travel.

Raise and lower the monitor by loosening the monitor brake(A) and either lift up or push down on the monitor and/or backer board. Once the monitors reach your desired level, tighten the monitor brake.

Raise and lower the main work surface by pressing the up or down on the control button(B). Please visit the following link or scan the qr code below for advanced button features.

[HTTPS://WWW.ERGODESKTOP.COM/SITES/DEFAULT/FILES/ERGO-CONTROL-MANUAL.PDF](https://www.ergodesktop.com/sites/default/files/ergo-control-manual.pdf)



## THE STABILIZATION LEG

Your adjustable height desk top unit comes with an adjustable leg that can be used to give you maximum stability when you are using "The Kangaroo" in the standing position.

Raise the Kangaroo work surface to your desired standing height and tighten the work surface brake.

Place the adjustable leg under the work surface and loosen the adjustable leg brake. Only loosen the brake by a turn or two, too much and the brake will disengage from the slot.

Extend the adjustable leg until it engages the bottom of the work surface and then tighten the adjustable leg brake.

The leg is shipped with the extension section installed to give you additional height adjustment. If this is too tall for your application, simply unscrew the extension selection.

If you have the taller version of the leg there is no top extension selection.

A. Extension selection

B. Extension selection screws into this location

**ALWAYS REMOVE THE STABILIZATION LEG BEFORE LOWERING THE UNIT**