

Command Post - Components

Command Post

20-076-100 grey

Command Post gives you the flexibility to mount one or more computer systems to a floor or ceiling using little or no floor space*. Constructed from heavy-duty 11-gauge steel for long-lasting durability.

Dimensions: 80" high x 3" wide x 3" deep (2032 x 76 x 76 mm)

Shipping Weight: 32 lbs (14.5 kg)

* To mount to horizontal surface, order Command Post Base, 60-360-100 separately.



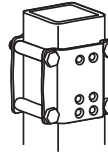
3" x 3" Post Mounting Solutions Bracket

60-154-100 grey

Mounts Sit-Stand Combo Arms, CPU Holders, Extender Arm* to 3"x3" Command Post

Shipping Weight: 1 lbs (.5 kg)

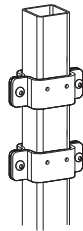
* You need 2 of these when attaching Extender Arm.



3" x 3" Post Bracket

60-366-100 grey

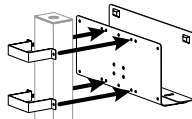
Mounts 100, 200, 400 Series Arms, LX Arms, Universal CPU, Neo-Flex products to 3"x3" Command Post



3" x 3" Post Peripheral Bracket

60-158-100 grey

Mounts CPU Holder products to 3"x3" Command Post



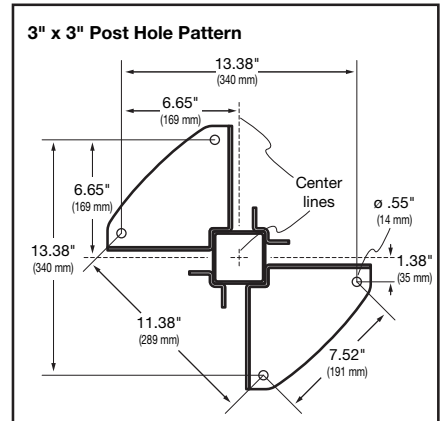
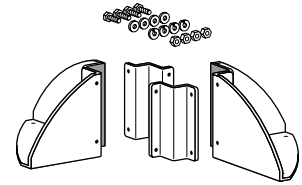
Base

60-360-100 grey

Attaches command post to horizontal surface.*

Shipping Weight: 1 lbs (.5 kg)

* If mounting base to concrete surface, the hardware kit for concrete, 90-018-100 should be ordered, see below.



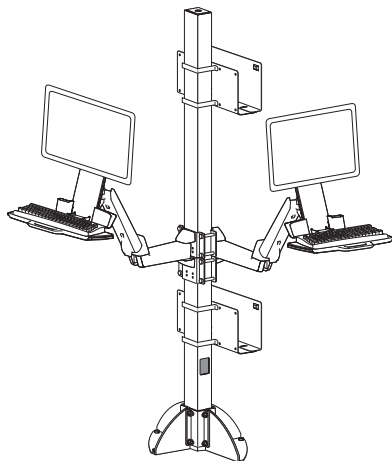
Hardware Kit for Concrete

90-018 grey

The Kit contains 4 stud anchors for attaching the command post base, 60-360-100, to a concrete surface.

Shipping Weight: 1 lbs (.5 kg)

Command Post Configuration Examples



Example System 2: Order these components

(2) 45-266-026, Available with black head-assembly only, polished aluminum, Sit-Stand Combo Arm

(2) 45-261-026, polished aluminum, Extender Arm

20-076-100, grey, 80" x 3" x 3" (2030 x 75 x 75 mm) Post

60-360-100, grey, 7" x 17" x 17" (178 x 432 x 432 mm) base

90-018, hardware kit for concrete surface attachment

(2) 60-154-100, grey, HD Arm Post Bracket (allows for single or dual back-to-back mounting)

(2) 97-468-202, Vertical Universal CPU Holders

(2) 60-158-100, grey, CPU Holder Brackets

Wrist rests, mouse holders, mouse pads are also available



Ceiling Mount

Touchboards

205 Westwood Ave, Long Branch, NJ 07740
 Phone: 866-94 BOARDS (26273) / (732)-222-1511
 Fax: (732)-222-7088 | E-mail: sales@touchboards.com