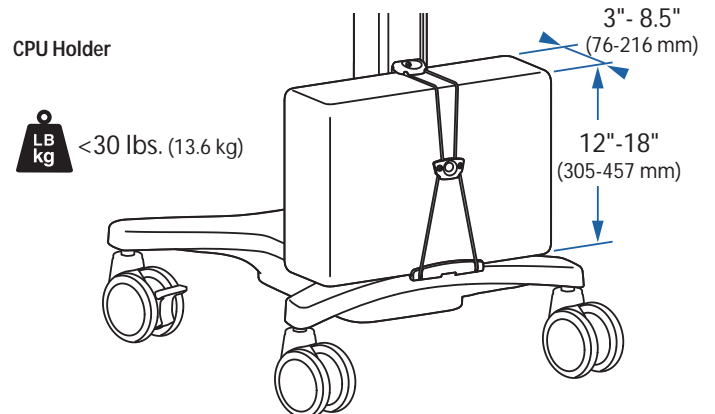
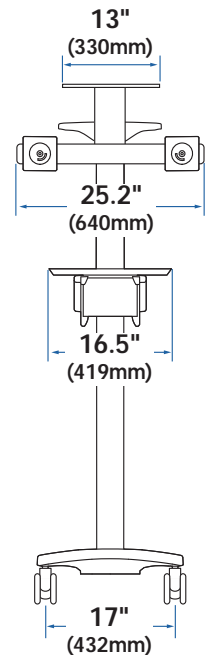
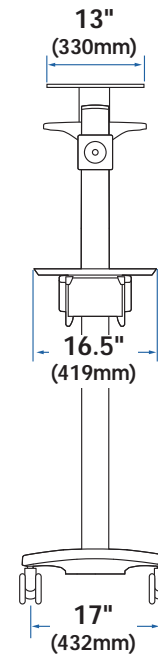
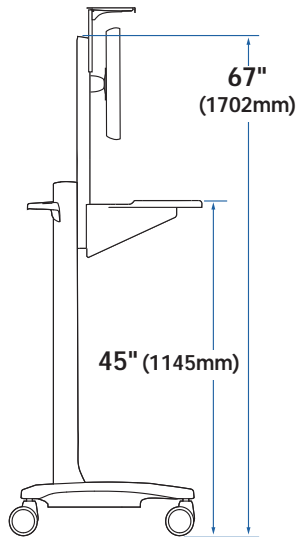
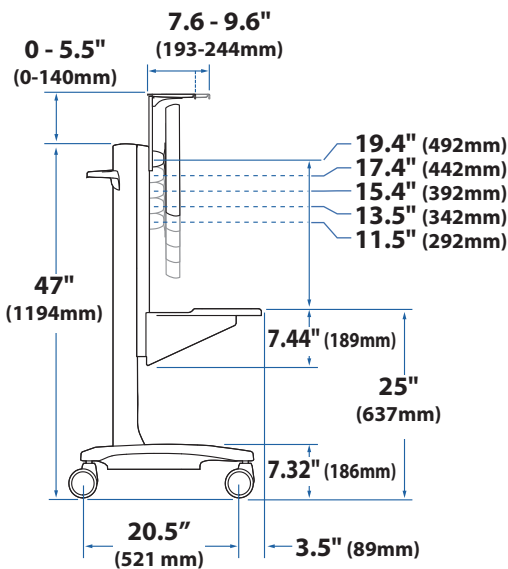
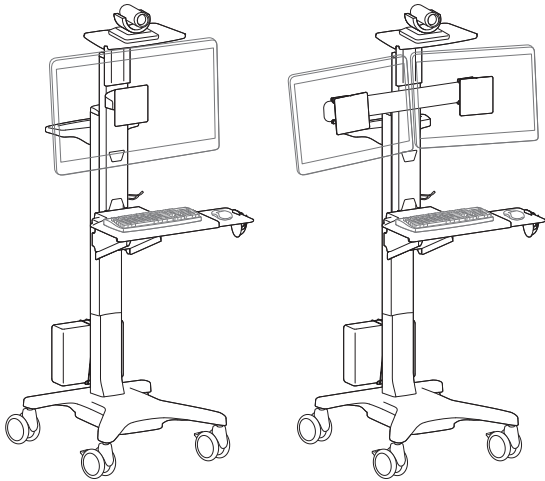


## WideView WorkSpace



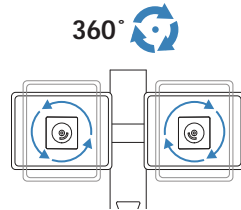
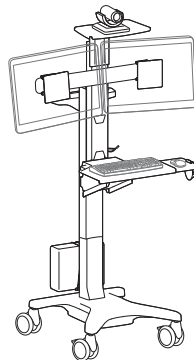
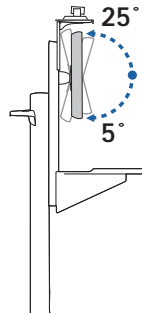
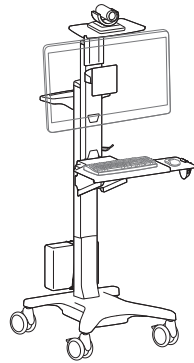
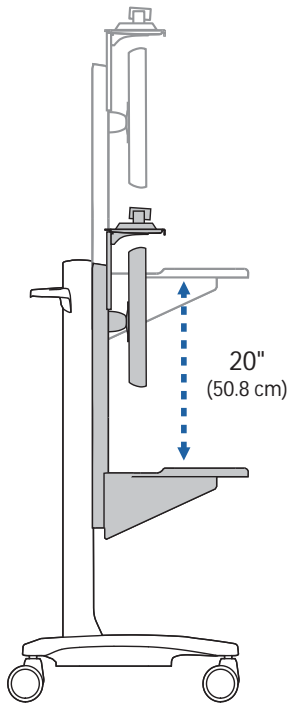
© 2009 Ergotron, Inc. rev. 03/19/09 DIM-NFWV Content is subject to change without notification



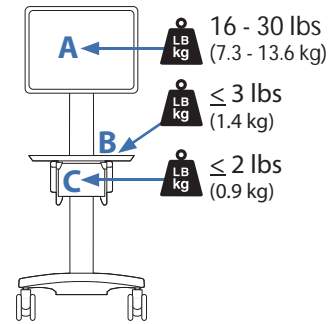
**205 Westwood Ave, Long Branch, NJ 07740**  
**Phone: 866-94 BOARDS (26273) / (732)-222-1511**  
**Fax: (732)-222-7088 | E-mail: sales@touchboards.com**

### WideView WorkSpace

#### Range of Motion

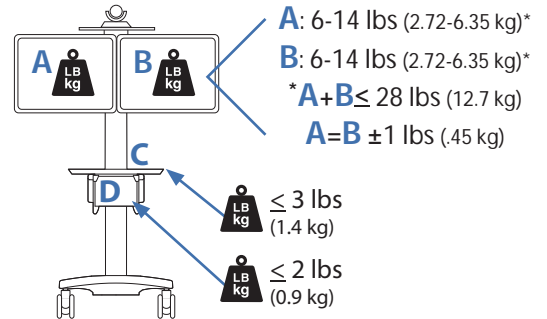


#### Maximum Weight Capacity



**A+B+C= 14 - 53 lbs (6.35 - 24 kg)**

#### Maximum Weight Capacity



**A+B+C+D= 11 - 50 lbs (5 - 22.6 kg)**

# Touchboards

205 Westwood Ave, Long Branch, NJ 07740  
 Phone: 866-94 BOARDS (26273) / (732)-222-1511  
 Fax: (732)-222-7088 | E-mail: sales@touchboards.com

© 2009 Ergotron, Inc. rev. 03/19/09 DIM-NFWV Content is subject to change without notification

#### Americas Sales and Corporate Headquarters

St. Paul, MN USA  
 (800) 888-8458  
 +1-651-681-7600  
 www.ergotron.com  
 sales@ergotron.com

#### EMEA Sales

Amersfoort, The Netherlands  
 +31 33 45 45 600  
 www.ergotron.com  
 info.eu@ergotron.com

#### APAC Sales

Tokyo, Japan  
 www.ergotron.com  
 info.apac@ergotron.com

#### Worldwide OEM Sales

www.ergotron.com  
 info.oem@ergotron.com

