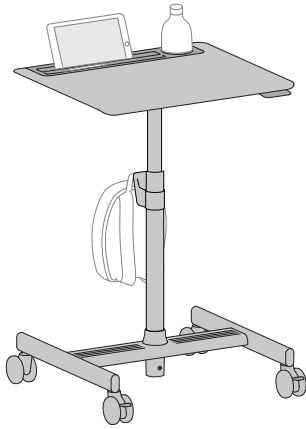
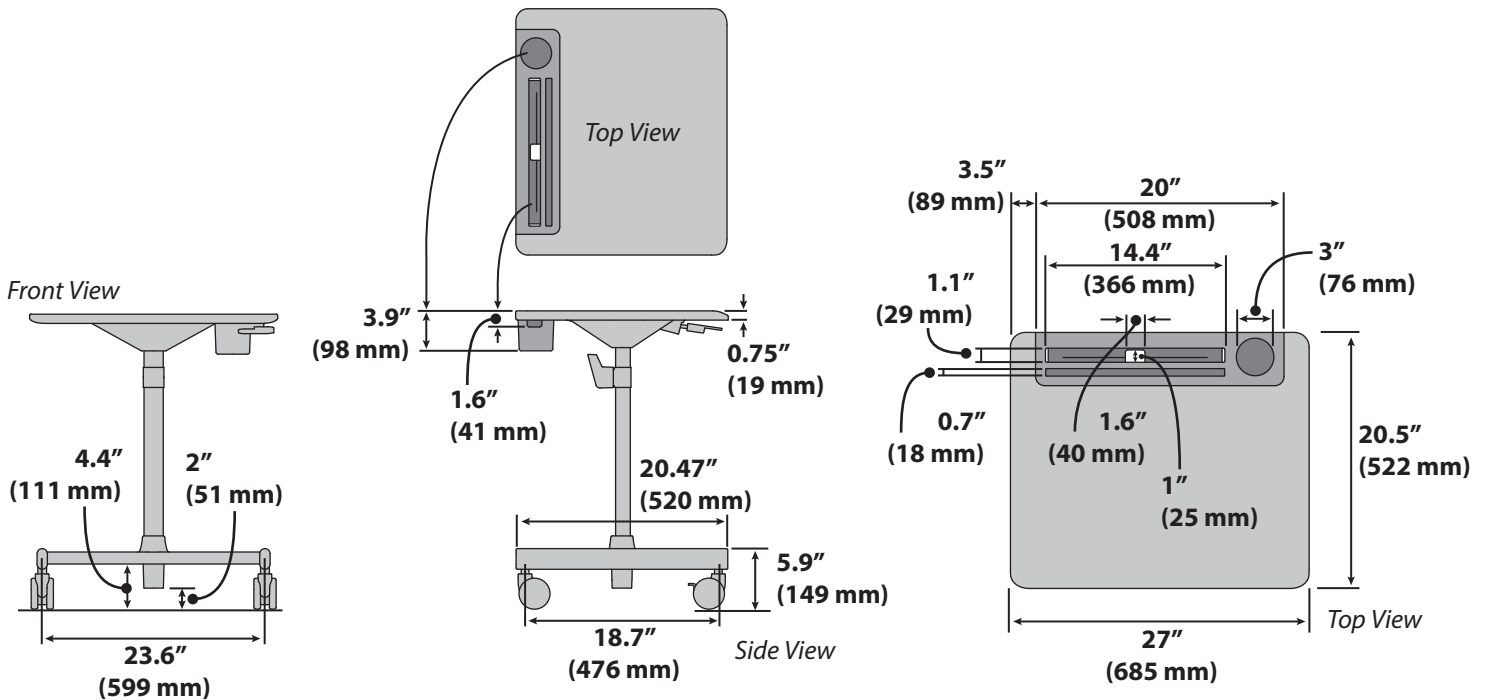
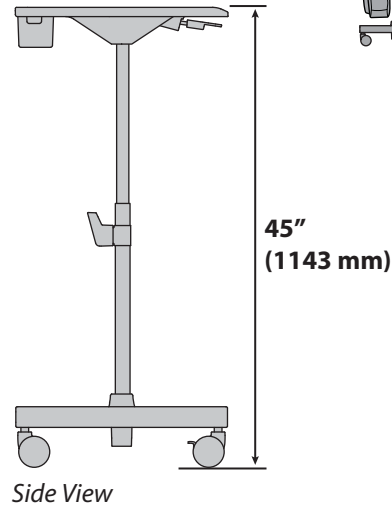
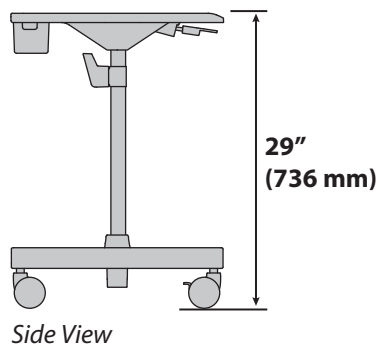


LearnFit™ SE2 Sit-Stand Desk



DIMENSIONS



© 2019 Ergotron, Inc. rev. 03/14/2019 DIM-LearnFitSE2 Content is subject to change without notification

Americas Sales and Corporate Headquarters

St. Paul, MN USA
(800) 888-8458
+1-651-681-7600
www.ergotron.com
sales@ergotron.com

EMEA Sales

Amersfoort, The Netherlands
+31 33 45 45 600
www.ergotron.com
info.eu@ergotron.com

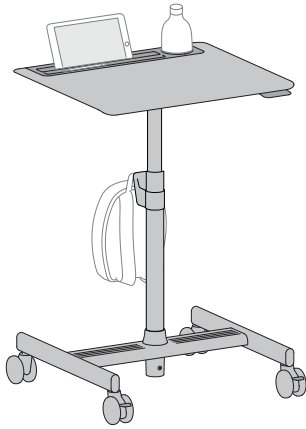
APAC Sales

Tokyo, Japan
www.ergotron.com
japansupport@ergotron.com

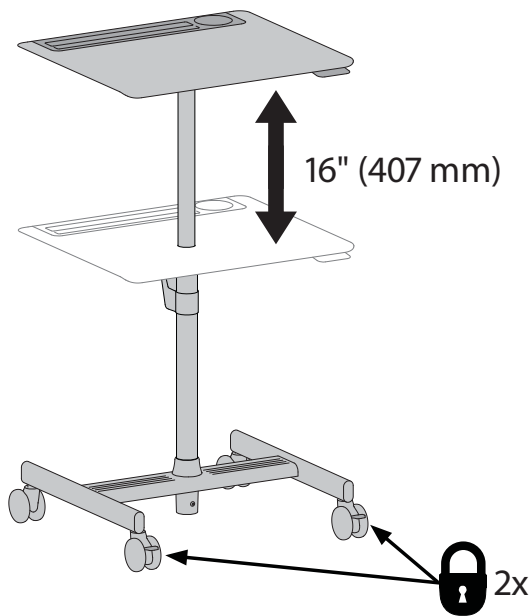
Worldwide OEM Sales

www.ergotron.com
info.oem@ergotron.com

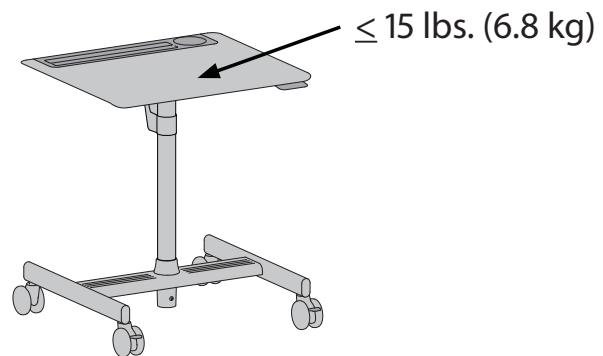
LearnFit™ SE2 Sit-Stand Desk



RANGE OF MOTION



WEIGHT CAPACITY



**Americas Sales and
Corporate Headquarters**

St. Paul, MN USA
(800) 888-8458
+1-651-681-7600
www.ergotron.com
sales@ergotron.com

EMEA Sales

Amersfoort, The Netherlands
+31 33 45 45 600
www.ergotron.com
info.eu@ergotron.com

APAC Sales

Tokyo, Japan
www.ergotron.com
japansupport@ergotron.com

Worldwide OEM Sales

www.ergotron.com
info.oem@ergotron.com