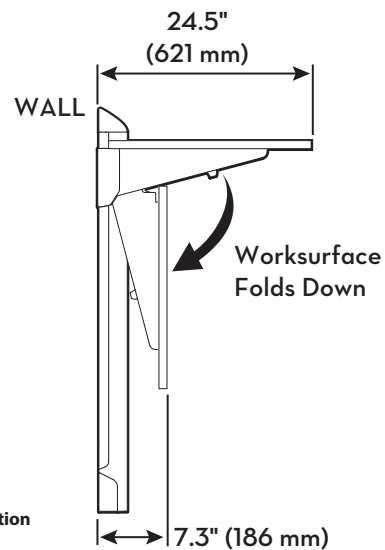
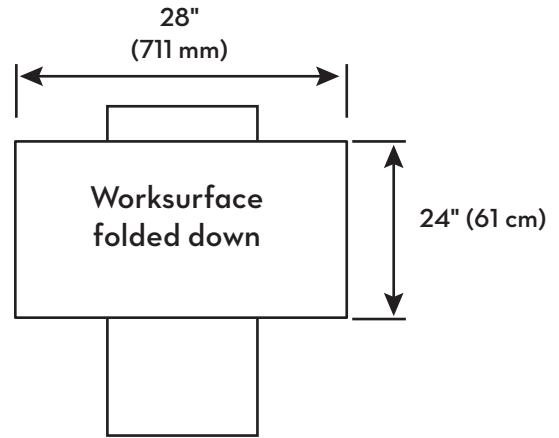
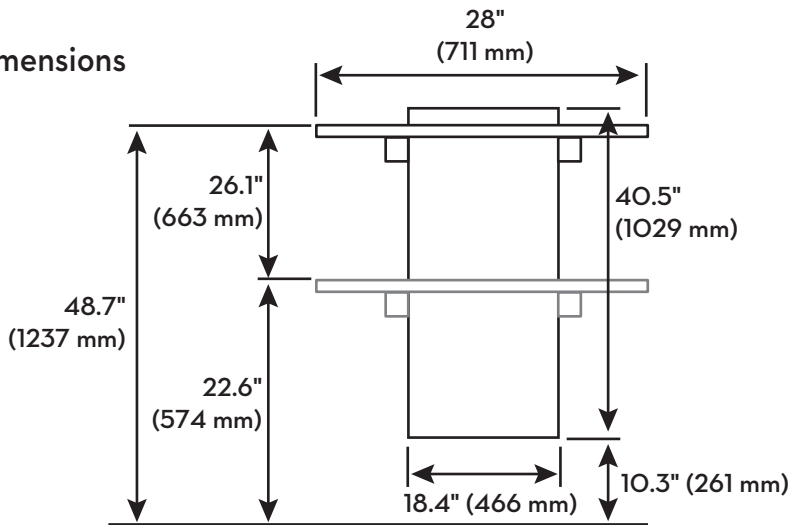


Dimensions



© 2019 Ergotron, Inc. rev. 06/10/2019 DIM-WFElevatePwD Content is subject to change without notification

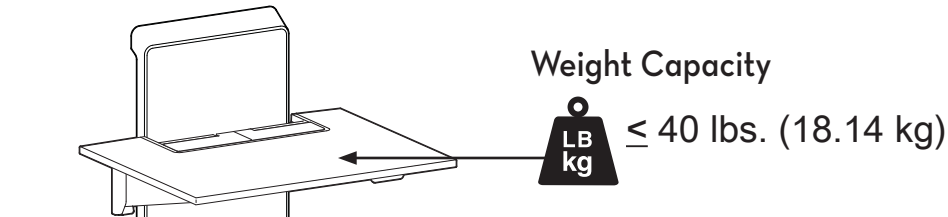
Americas Sales and Corporate Headquarter	EMEA Sales	APAC Sales	Worldwide OEM Sales
-------------------------------------------------	-------------------	-------------------	----------------------------

St. Paul, MN USA
 (800) 888-8458
 +1-651-681-7600
 www.ergotron.com
 sales@ergotron.com

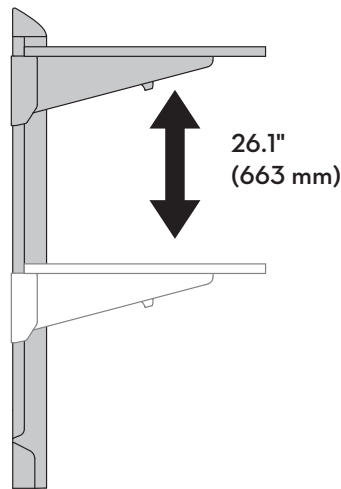
Amersfoort, The Netherlands
 +31 33 45 45 600
 www.ergotron.com
 info.eu@ergotron.com

Tokyo, Japan
 www.ergotron.com
 apaccustomerservice@ergotron.com

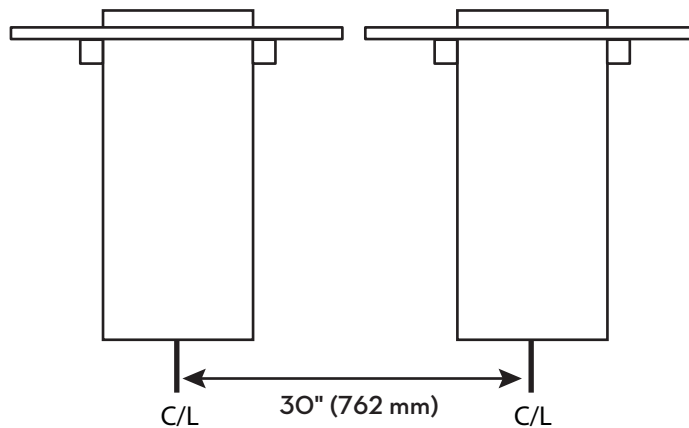
www.ergotron.com
 info.oem@ergotron.com

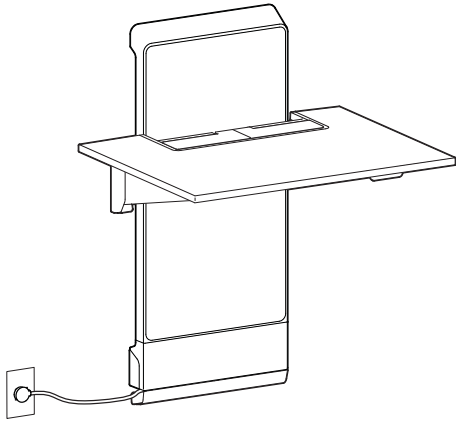


Range of Motion

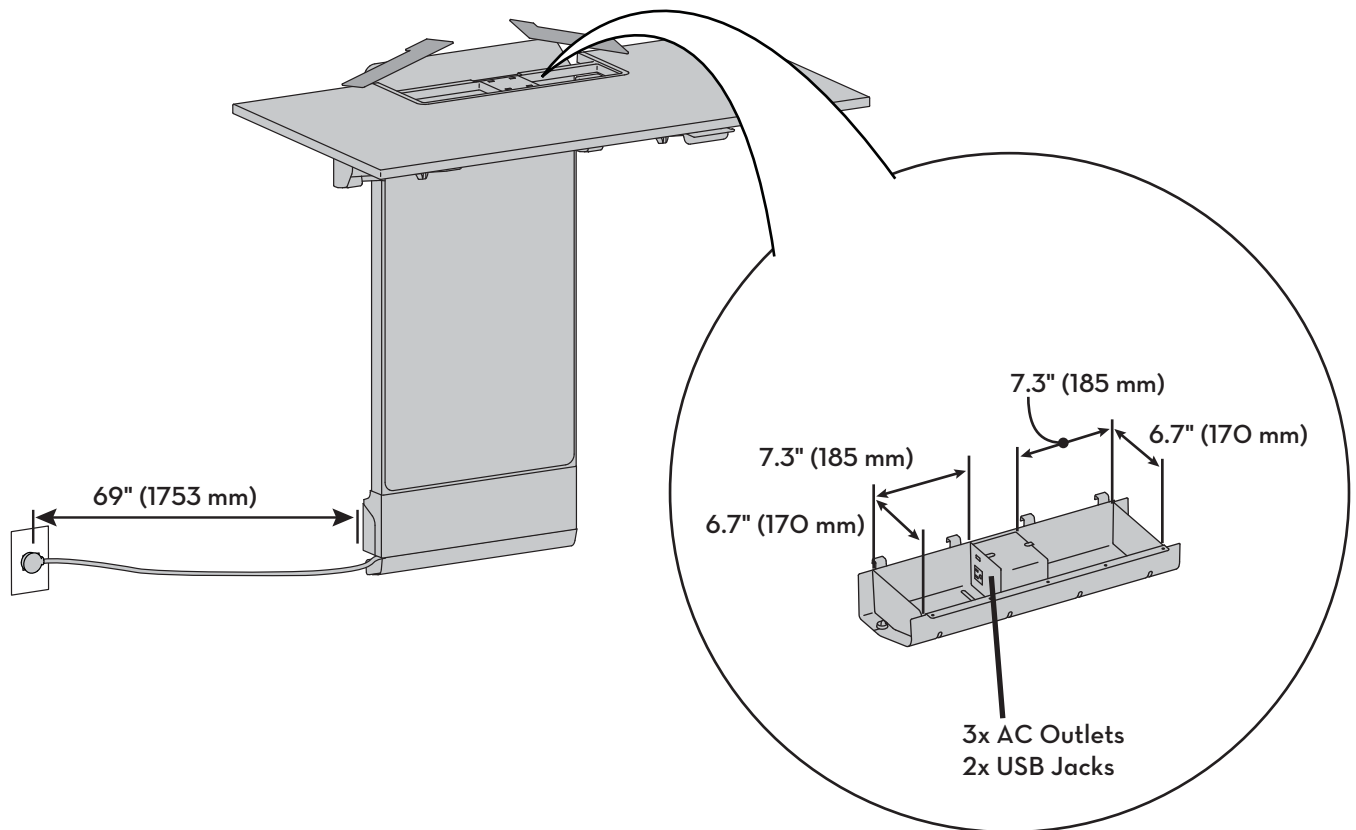


Spacing Dimensions for Multiple Units





AC input: 120V~ 60-Hz. Max amps: 12A.



© 2019 Ergotron, Inc. rev. 06/10/2019 DIM-WFElevatePwd **Content is subject to change without notification**

Americas Sales and Corporate Headquarter	EMEA Sales	APAC Sales	Worldwide OEM Sales
St. Paul, MN USA (800) 888-8458 +1-651-681-7600 www.ergotron.com sales@ergotron.com	Amersfoort, The Netherlands +31 33 45 45 600 www.ergotron.com info.eu@ergotron.com	Tokyo, Japan www.ergotron.com apaccustomerservice@ergotron.com	www.ergotron.com info.oem@ergotron.com