

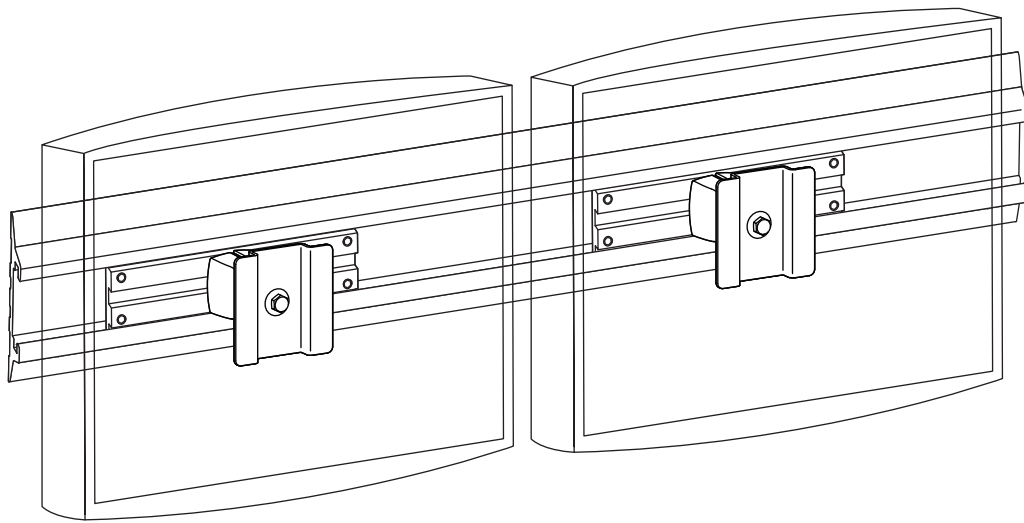


User's Guide

**Touchboards**

Neo-Flex Dual Display  
Wall Mount

205 Westwood Ave, Long Branch, NJ 07740  
Phone: 866-94 BOARDS (26273) / (732)-222-1511  
Fax: (732)-222-7088 | E-mail: [sales@touchboards.com](mailto:sales@touchboards.com)



For the latest User Installation Guide please visit: [www.ergotron.com](http://www.ergotron.com)



User's Guide - English  
Guía del usuario - Español  
Manuel de l'utilisateur - Français  
Gebruikersgids - Deutsch  
Benutzerhandbuch - Nederlands  
Guida per l'utente - Italiano  
Användarhandbok - svenska  
ユーザーガイド : 日本語  
用戶指南 : 汉语



[www.ergotron.com](http://www.ergotron.com)

USA 1-800-888-8458

Europe +31 (0)33-45 45 600

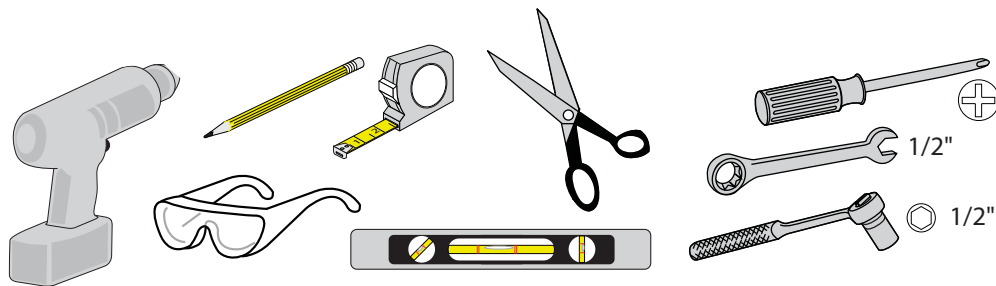
China 86-769-86018920



	A	B	C	D
1	<b>1x</b>	<b>2x</b>	<b>4x</b> <b>ST6.3 x 50 mm</b> <b>4x</b> <b>ST6.3 x 50 mm</b>	
3	<b>4x</b>	<b>2x</b>	 <b>1/8"</b>	<b>8x</b> <b>1/4-20 x 1/2"</b> set screw
4	<b>2x</b>	<b>8x</b> <b>8-32 x 5/16"</b>	<b>2x</b> <b>75-100mm</b> <b>8x</b> <b>#8-32 x 1/4"</b> <b>8x</b> <b>M4 x 10mm</b>  <b>3/32"</b>	<b>8x</b> <b>M4 x 10mm</b>
5	<b>8x</b> <b>1/4-20 x 2"</b> <b>8x</b>		<b>8x</b> <b>M6</b> <b>8x</b> <b>M6 x 70mm</b>	

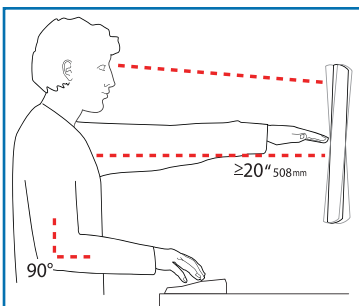


See Wall Mounting Options for additional tools needed for your type of wall installation.



# 1 Determine Ergonomic Mounting Height

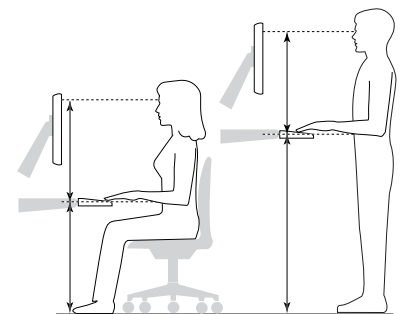
Set Your Workstation to Work For YOU!



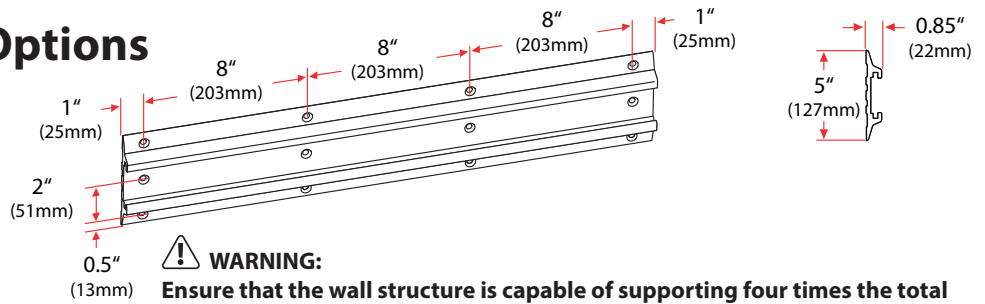
- Height** Position top of screen slightly below eye level.  
Position keyboard at about elbow height with wrists flat.
- Distance** Position screen an arm's length from face—at least 20" (508mm).  
Position keyboard close enough to create a 90° angle in elbow.
- Angle** Tilt screen to eliminate glare.  
Tilt the keyboard back 10° so that your wrists remain flat.

- To Reduce Fatigue**
- Breathe - Breathe deeply through your nose.
- Blink - Blink often to avoid dry eyes.
- Break • 2 to 3 minutes every 20 minutes
- 15 to 20 minutes every 2 hours.

Learn more about ergonomic computer use at:  
[www.computingcomfort.org](http://www.computingcomfort.org)

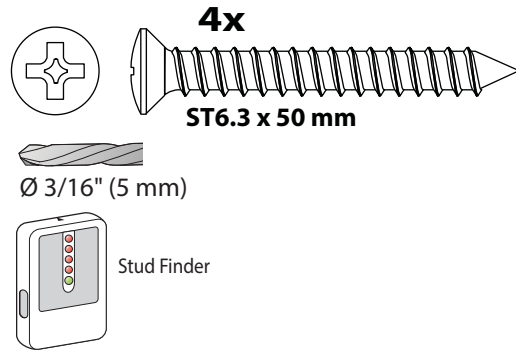
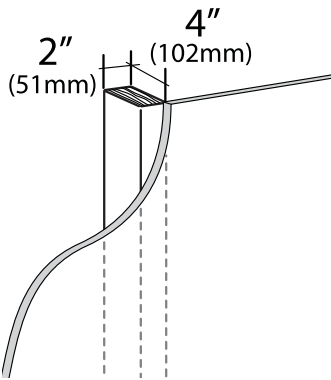


# 2 Wall Mounting Options

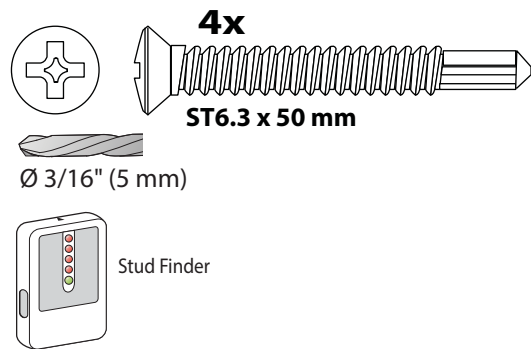
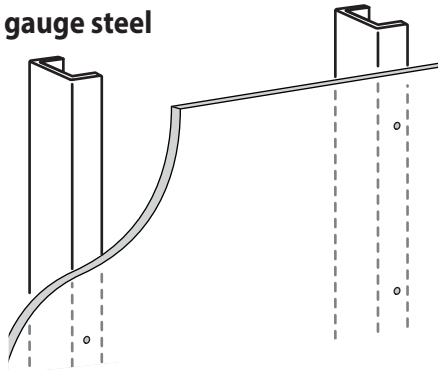


**WARNING:** Ensure that the wall structure is capable of supporting four times the total weight of mounted equipment. Mounting to wall surfaces that do not meet this criteria may result in an unstable, unsafe condition which could lead to personal injury and/or property damage. Consult a construction professional if you have any doubt about what this means in regard to your particular application.

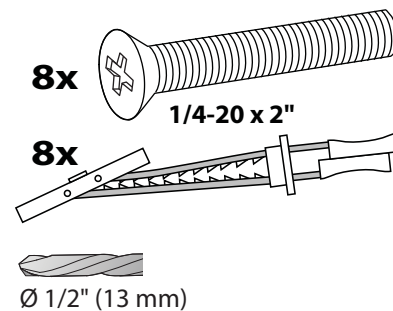
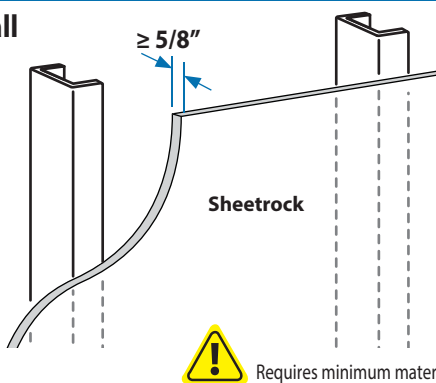
## Wood



## Studs ≥ 25 gauge steel



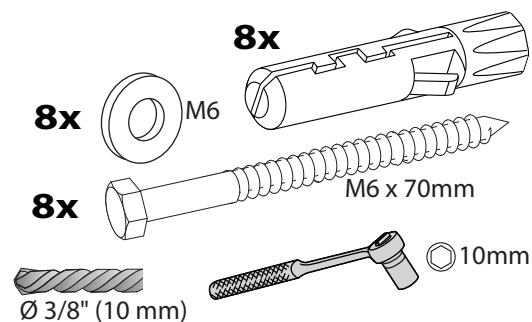
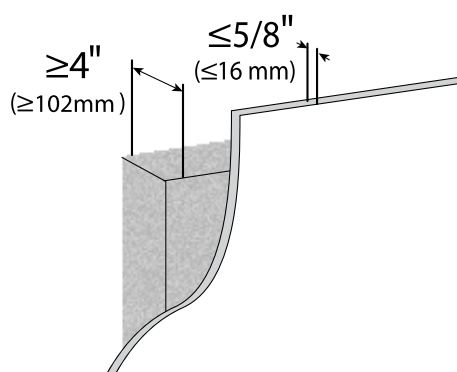
## Hollow Wall



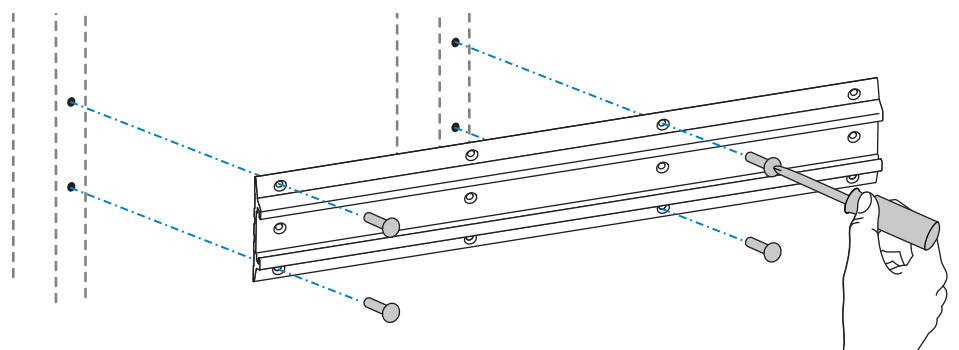
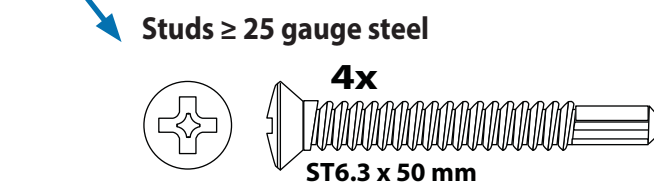
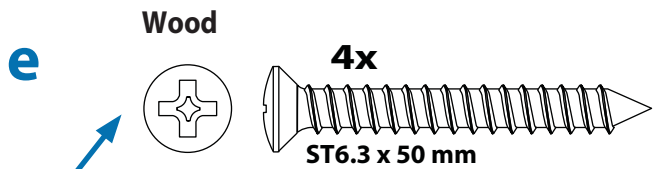
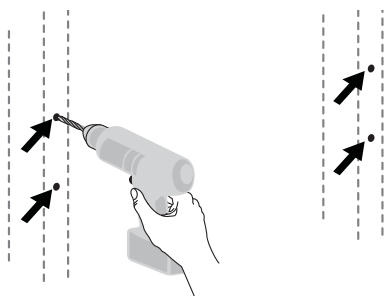
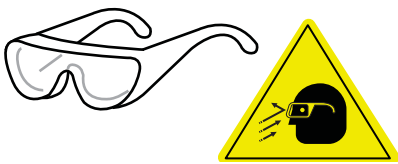
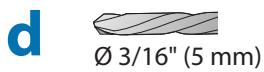
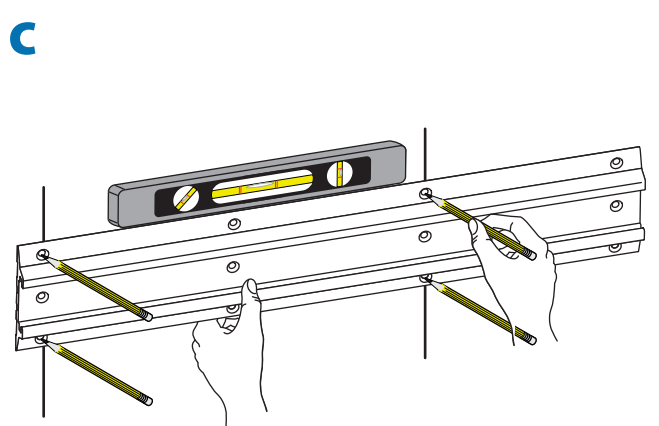
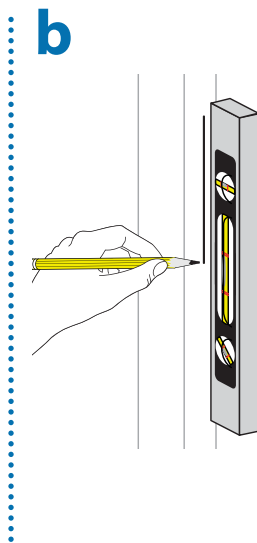
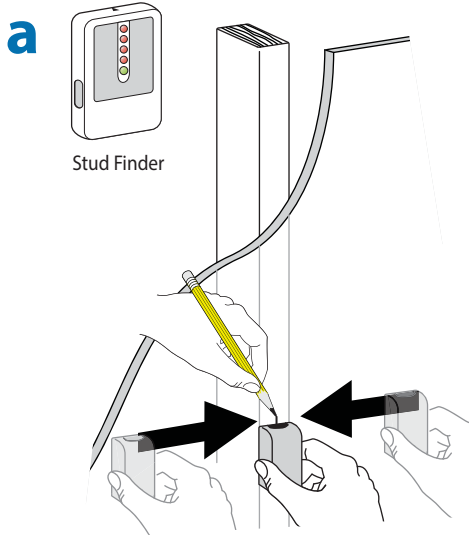
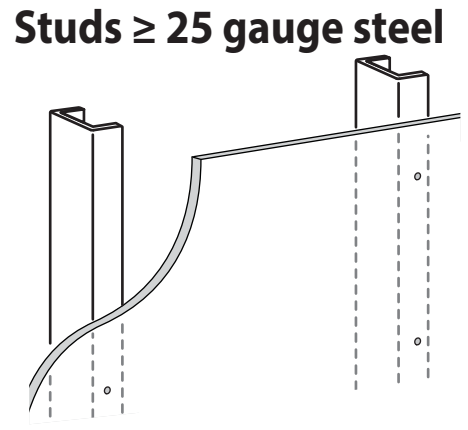
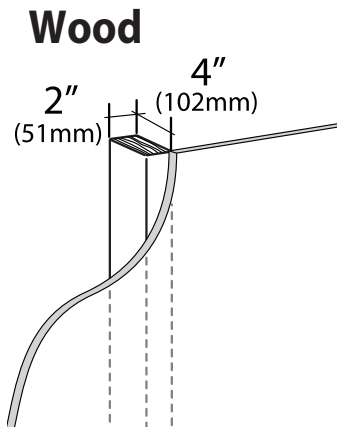
**!** Requires minimum material thickness of 5/8" (16 mm).



## Concrete



# 3 Attach to Wall

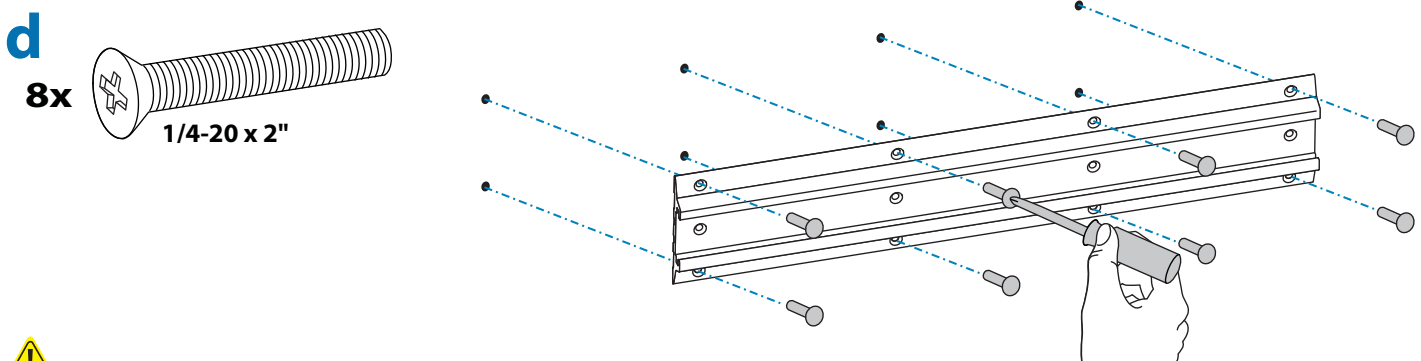
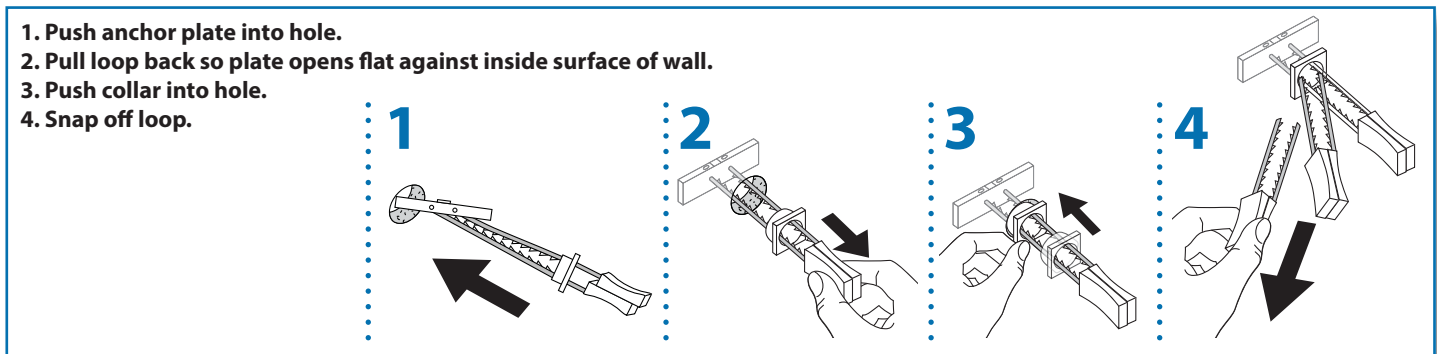
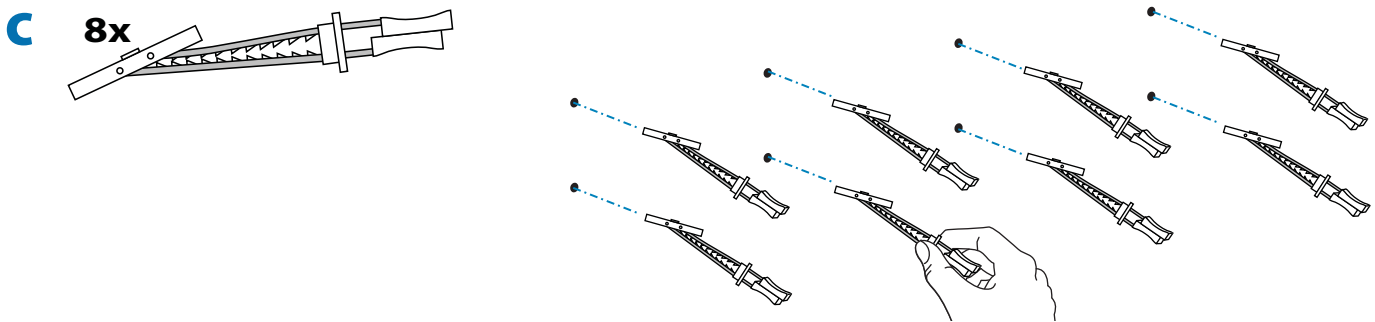
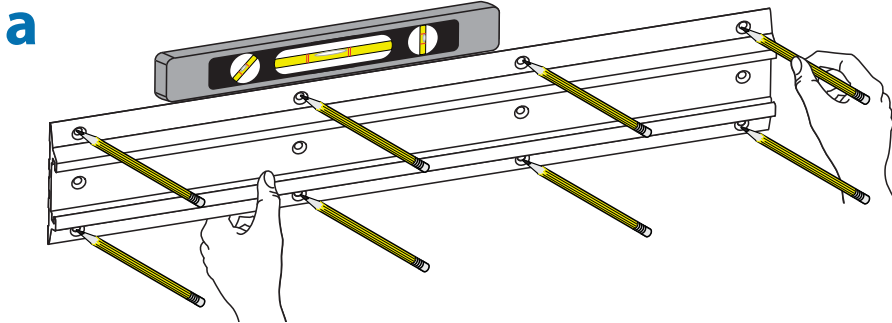
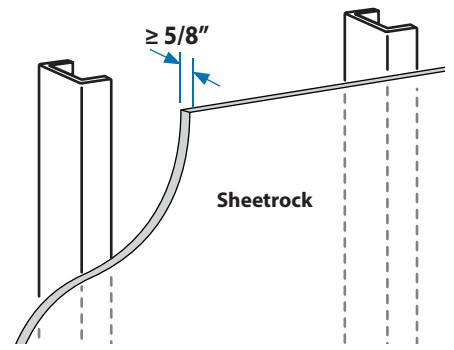


**NOTE:** Fasteners may unwind due to vibration caused by movement of mounting solution over time. Inspect mounting solution for loose fasteners on a routine basis. If desired, apply a light duty thread locking adhesive to fasteners before installation to prevent back-out.



# 3 Attach to Wall

## Hollow Wall

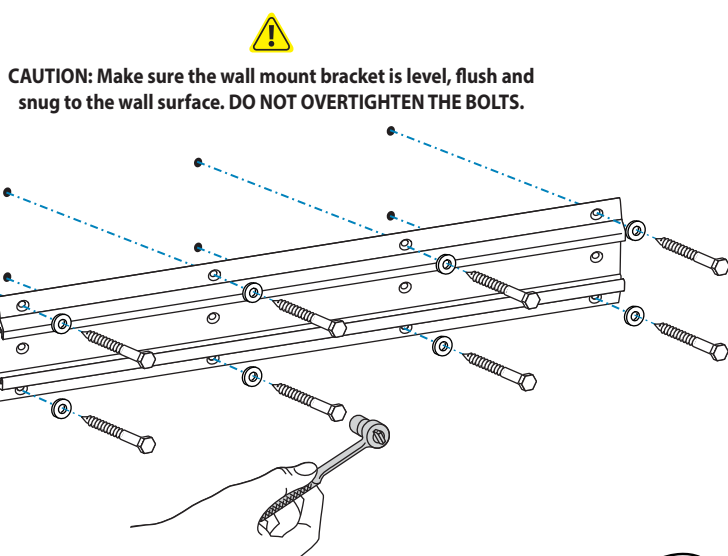
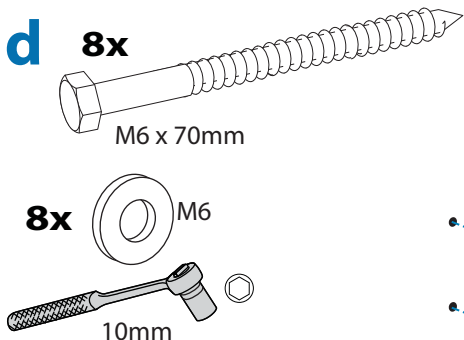
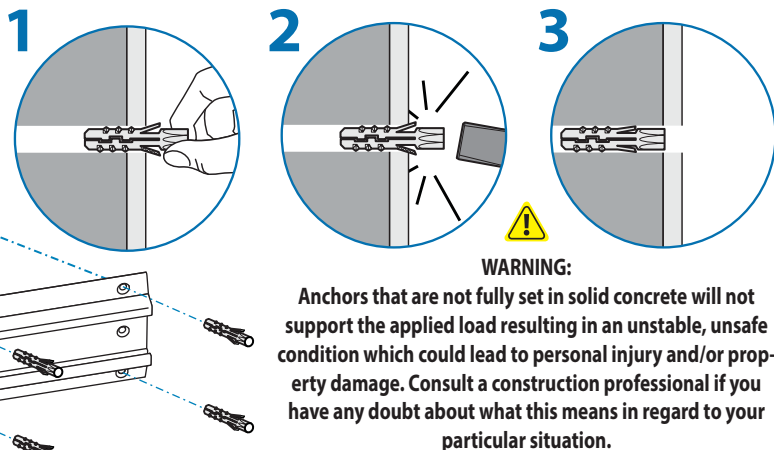
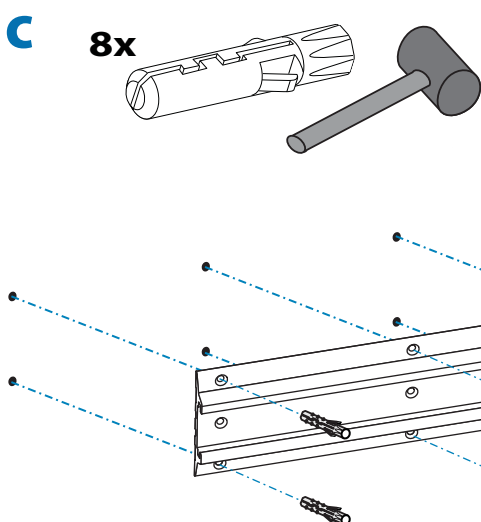
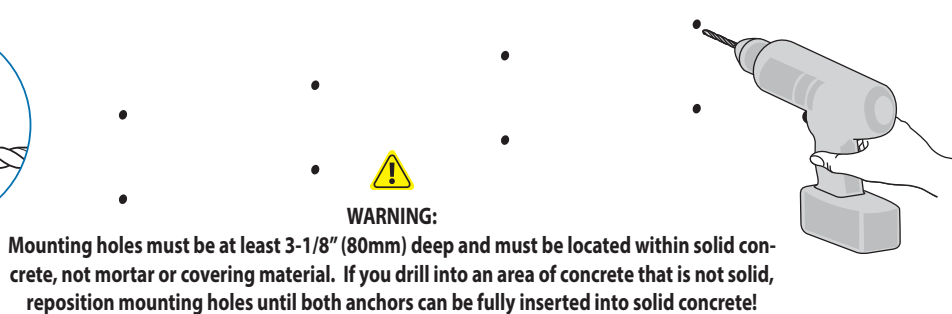
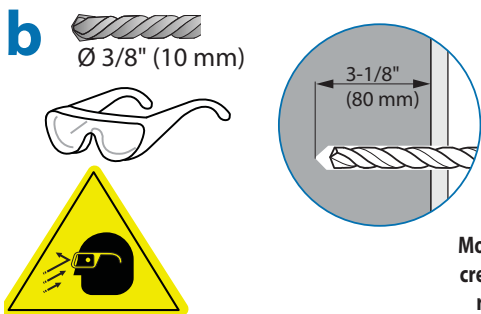
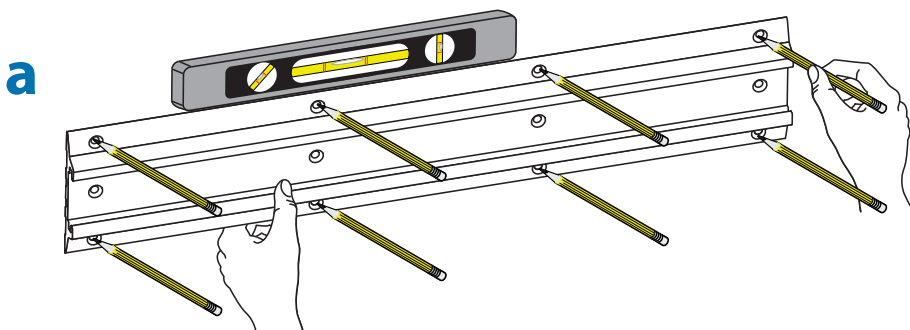
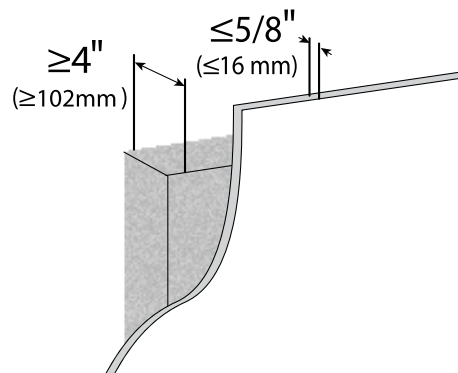


**!**  
**NOTE:** Fasteners may unwind due to vibration caused by movement of mounting solution over time. Inspect mounting solution for loose fasteners on a routine basis. If desired, apply a light duty thread locking adhesive to fasteners before installation to prevent back-out.



# 3 Attach to Wall

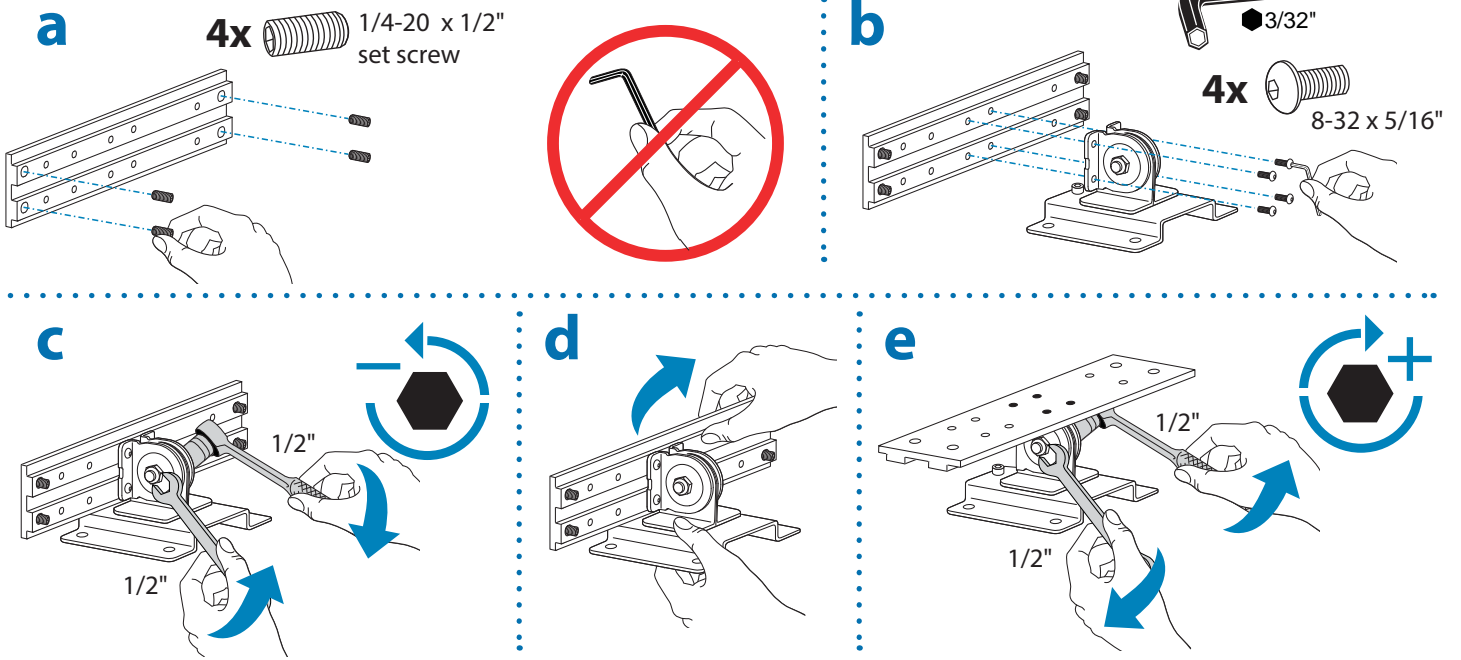
Concrete



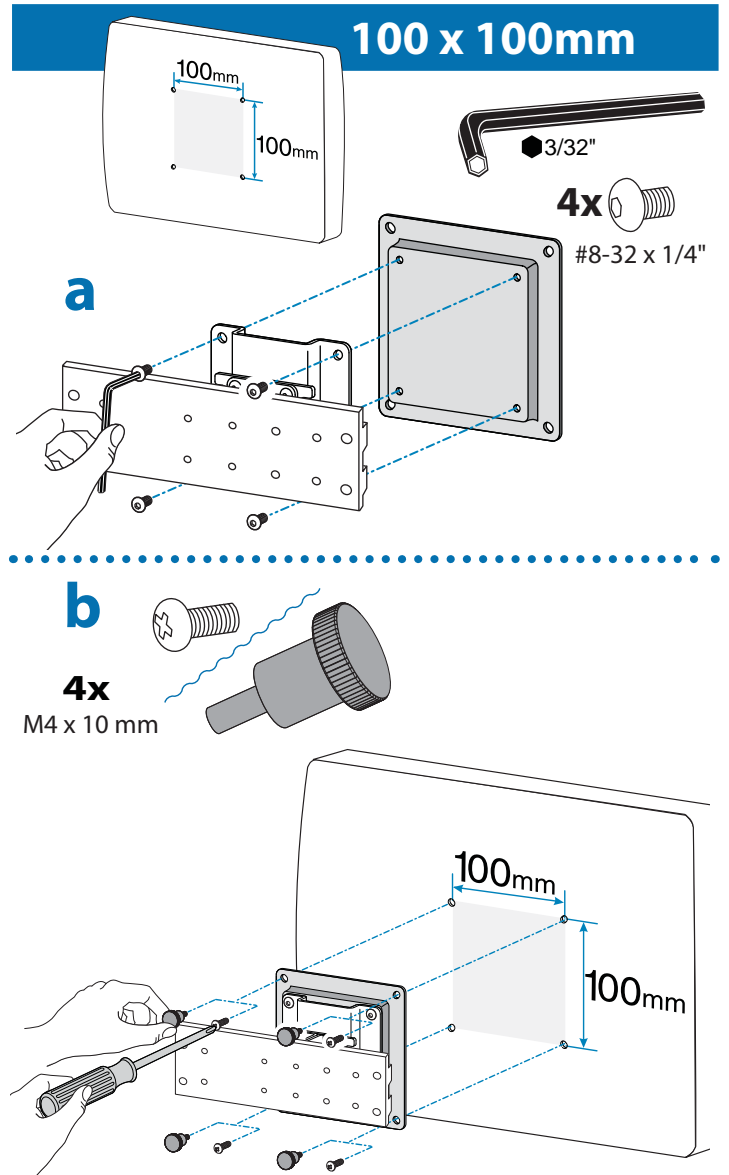
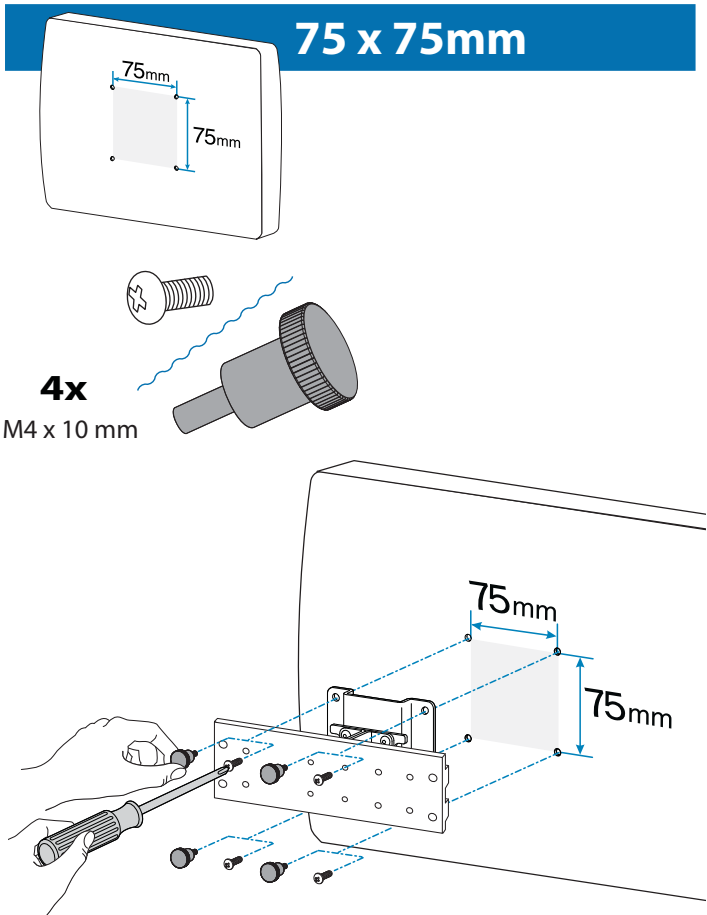
**NOTE:** Fasteners may unwind due to vibration caused by movement of mounting solution over time. Inspect mounting solution for loose fasteners on a routine basis. If desired, apply a light duty thread locking adhesive to fasteners before installation to prevent back-out.



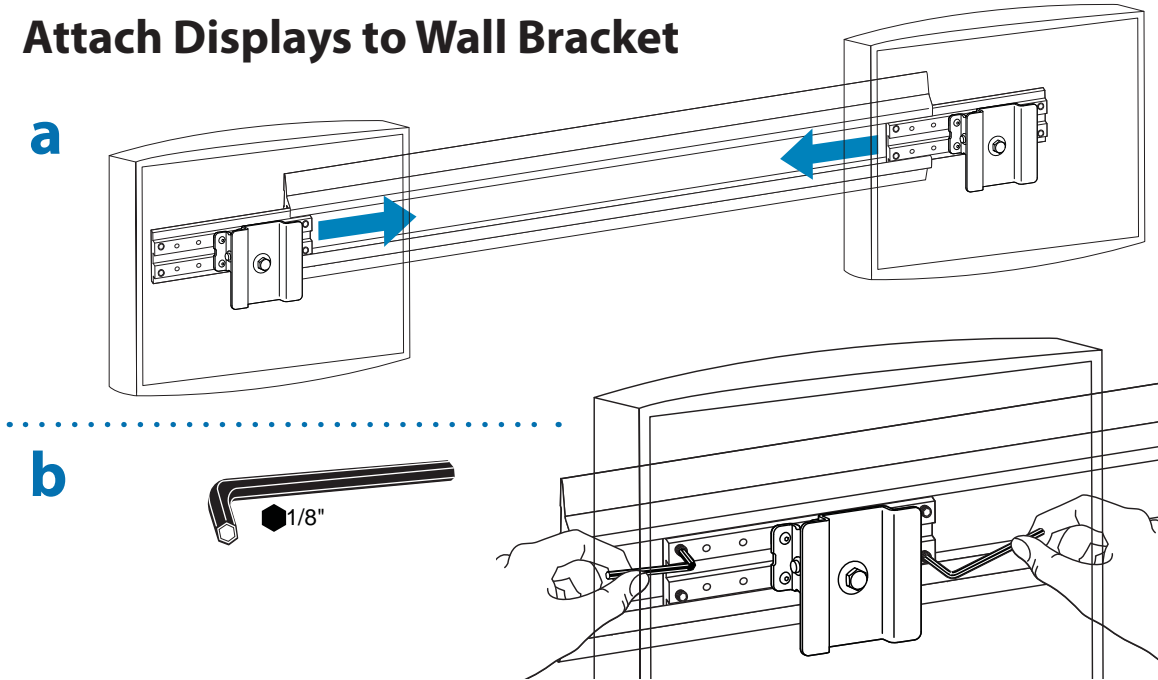
# 4 Attach Pivots to Brackets



# 5 Attach Displays



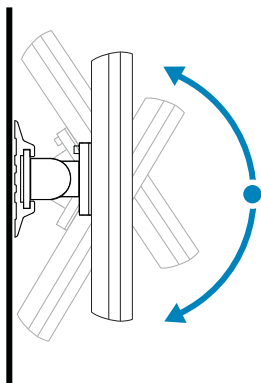
# 6 Attach Displays to Wall Bracket



# 7 Range of Motion

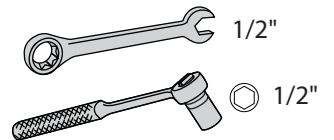
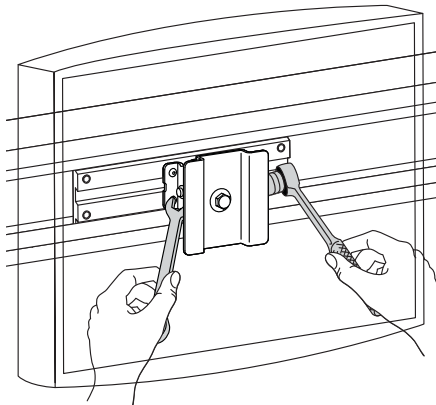
This product is designed to adjust quickly and easily according to your needs – refer to following steps for adjustment.

## a Tilt – Forward and Backward



### Adjust Tilt – Forward and Backward

If it does not stay in place or movement is stiff, tension needs adjustment. Adjust until motion is equal.

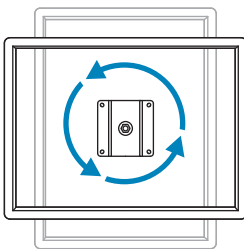


To increase tension - Turn Clockwise



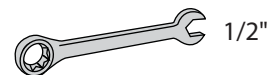
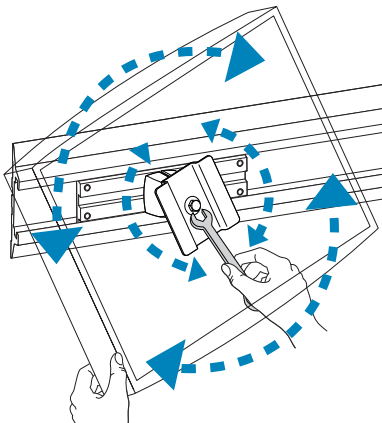
To decrease tension - Turn Counterclockwise

## b Rotate - Portrait/Landscape



### Adjust Rotate – Portrait/Landscape

If it does not stay in place or movement is stiff, tension needs adjustment. Adjust until motion is equal.



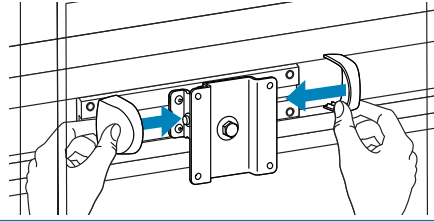
To increase tension - Turn Clockwise



To decrease tension - Turn Counterclockwise



## 8 Attach Pivot Covers

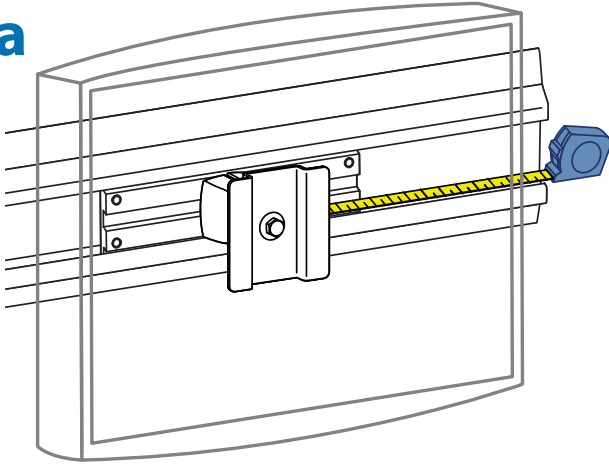


2x

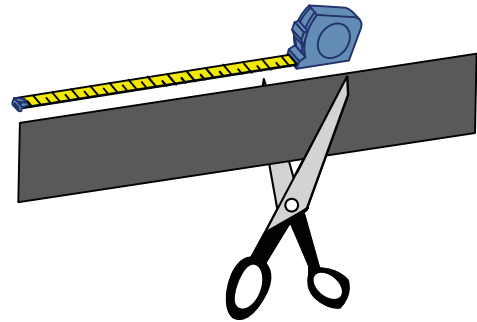


## 9 Attach Cable Management

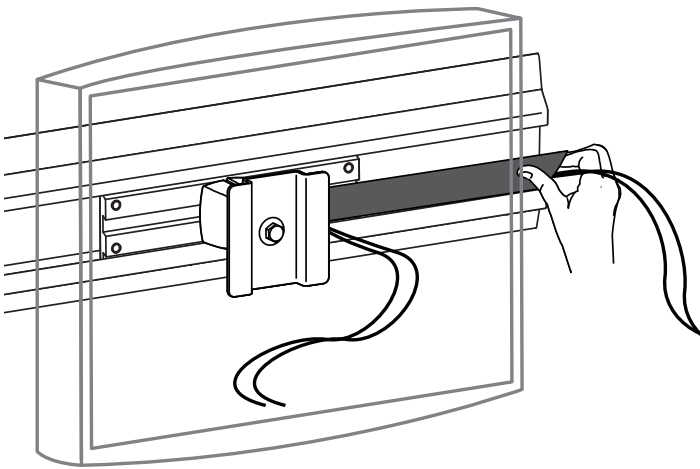
a



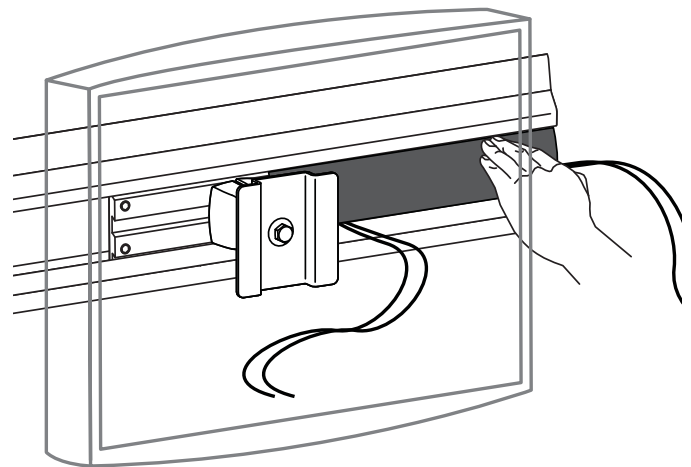
b



c



d



For service and warranty visit [www.ergotron.com](http://www.ergotron.com)

For local customer care phone numbers visit: <http://contact.ergotron.com>



© 2013 Ergotron, Inc.  
All rights reserved.

While Ergotron, Inc. makes every effort to provide accurate and complete information on the installation and use of its products, it will not be held liable for any editorial errors or omissions (including those made in the process of translation from English to another language), or for incidental, special or consequential damages of any nature resulting from furnishing this instruction and performance of equipment in connection with this instruction. Ergotron, Inc. reserves the right to make changes in the product design and/or product documentation without notification to its users. For the most current product information, or to know if this document is available in languages other than those herein, please contact Ergotron. No part of this publication may be reproduced, stored in a retrieval system, or transmitted in any form or by any means, electronic, mechanical, photocopying, recording or otherwise without the prior written consent of Ergotron, Inc., 1181 Trapp Road, Eagan, Minnesota, 55121, USA Patents Pending and Patented U.S. & Foreign. Ergotron is a registered trademark of Ergotron, Inc.

# Touchboards

205 Westwood Ave, Long Branch, NJ 07740  
Phone: 866-94 BOARDS (26273) / (732)-222-1511  
Fax: (732)-222-7088 | E-mail: [sales@touchboards.com](mailto:sales@touchboards.com)