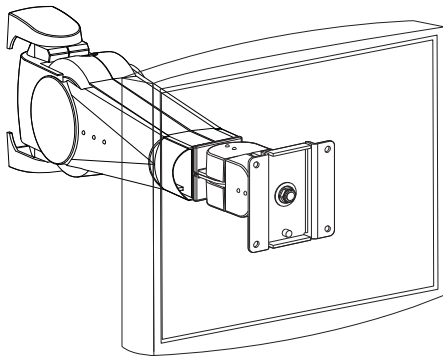


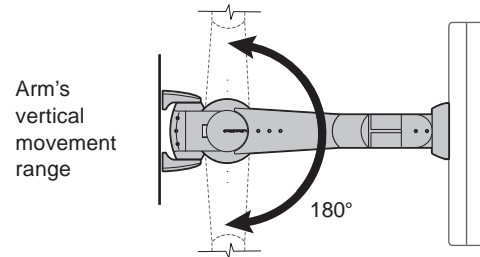
400 Series Wall Mount LCD Arm



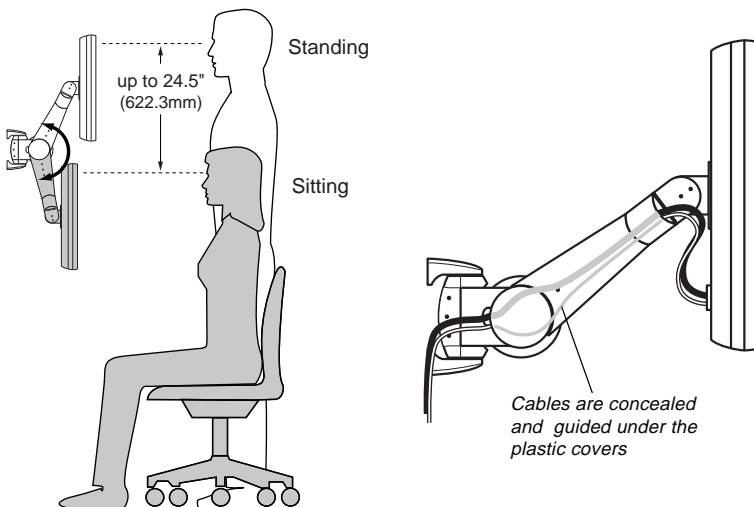
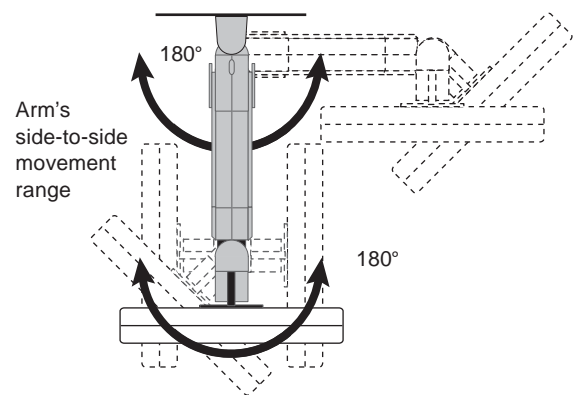
Weight Capacity

LB 5 - 23 lbs
kg (2.27-10.43 kg)

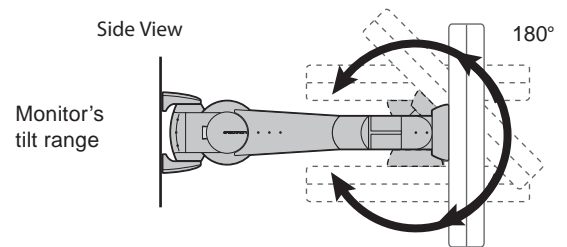
Range of Motion Side View



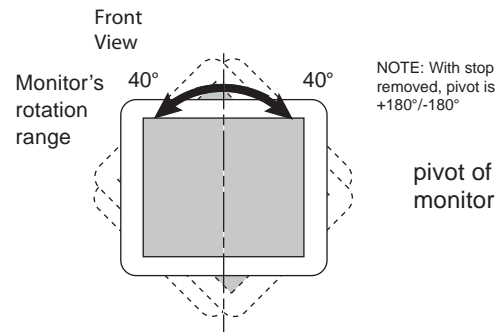
Top View



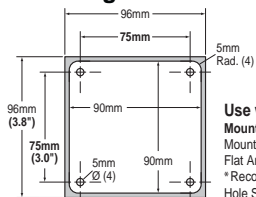
Side View



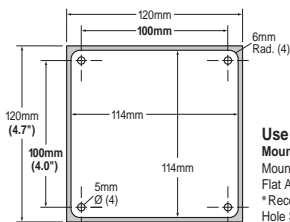
Front View



Mounting Plate interface dimension:



Use with flat panel monitors with < 17" screen :
Mounting Hole Pattern 75mm (2.953" sq.)
 Mounting Plate Size - 90mm (3.543" sq.)
 Flat Area required on back of monitor - 96mm (3.780" sq.)
 *Recommended Mounting Screws - 4mm x 10mm
 Hole Size in Arm Mounting Pad - 5mm



Use with flat panel monitors with ≥ 17" screen:
Mounting Hole Pattern 100mm (3.937" sq.)
 Mounting Plate Size - 114mm (4.488" sq.)
 Flat Area required on back of monitor - 120mm (4.724" sq.)
 *Recommended Mounting Screws - 4mm x 10mm
 Hole Size in Arm Mounting Pad - 5mm

* = Verify with monitor manufacturer on specific screw recommendations.

© 2013 Ergotron, Inc. rev. 03/25/2013 DIM-400Series Content is subject to change without notification

Americas Sales and Corporate Headquarters

St. Paul, MN USA
(800) 888-8458
+1-651-681-7600
www.ergotron.com
sales@ergotron.com

EMEA Sales

Amersfoort, The Netherlands
+31 33 45 45 600
www.ergotron.com
info.eu@ergotron.com

APAC Sale

Tokyo, Japan
www.ergotron.com
apaccustomerservice@ergotron.com

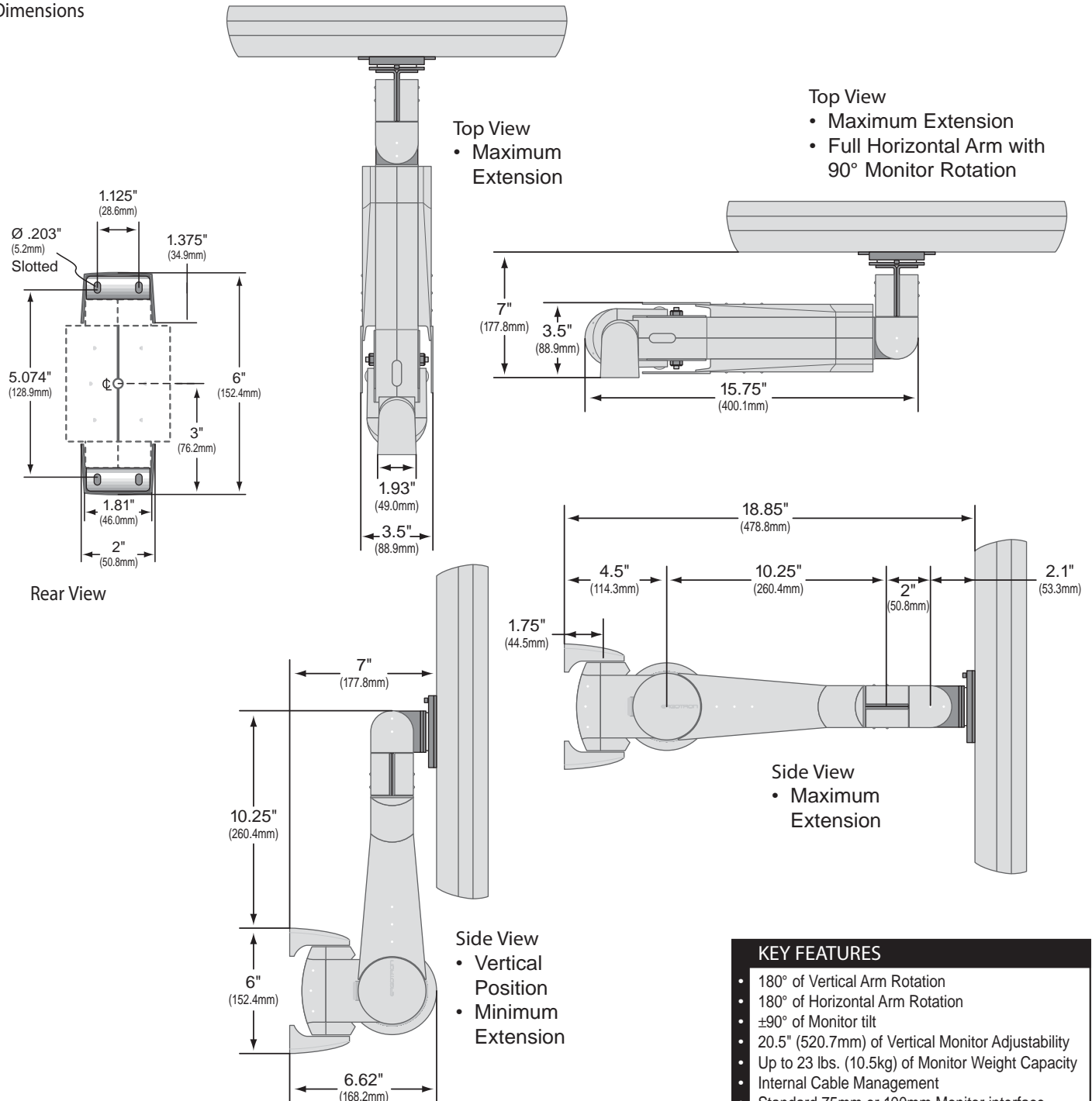
Worldwide OEM Sales

www.ergotron.com
info.oem@ergotron.com



400 Series Wall Mount LCD Arm

Dimensions



KEY FEATURES
• 180° of Vertical Arm Rotation
• 180° of Horizontal Arm Rotation
• ±90° of Monitor tilt
• 20.5" (520.7mm) of Vertical Monitor Adjustability
• Up to 23 lbs. (10.5kg) of Monitor Weight Capacity
• Internal Cable Management
• Standard 75mm or 100mm Monitor interface
• Custom Flat Panel interfaces available

© 2013 Ergotron, Inc. rev. 03/25/2013 DIM-400Series Content is subject to change without notification

Americas Sales and Corporate Headquarters

St. Paul, MN USA
 (800) 888-8458
 +1-651-681-7600
 www.ergotron.com
 sales@ergotron.com

EMEA Sales

Amersfoort, The Netherlands
 +31 33 45 45 600
 www.ergotron.com
 info.eu@ergotron.com

APAC Sale

Tokyo, Japan
 www.ergotron.com
 apaccustomerservice@ergotron.com

Worldwide OEM Sales

www.ergotron.com
 info.oem@ergotron.com

