

Ergotron® LX

HD Wall Mount Pivot and Swing Arm

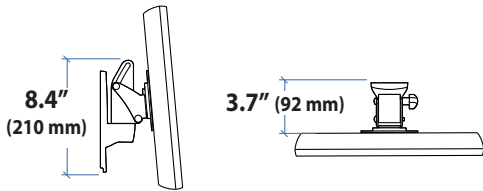
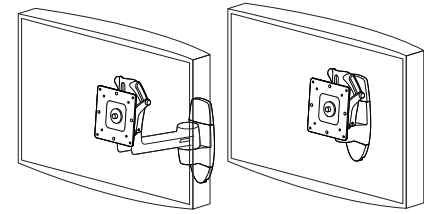
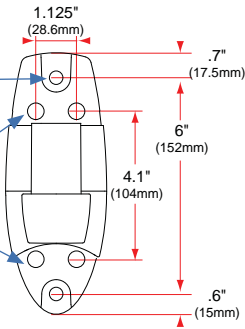
Dimensional & Range of Motion Illustrations

Dimensions

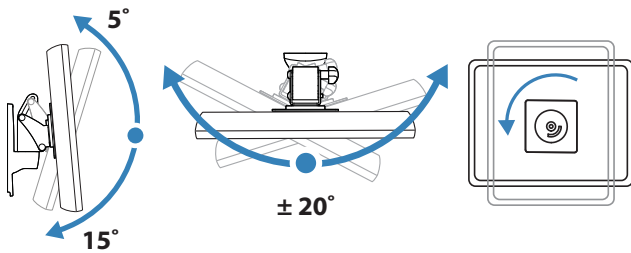
Wall Mount Bracket

Stud mounting:
M8 x 80mm or 5/16" x 3"
and flat washer 8mm or
5/16" (2 places)

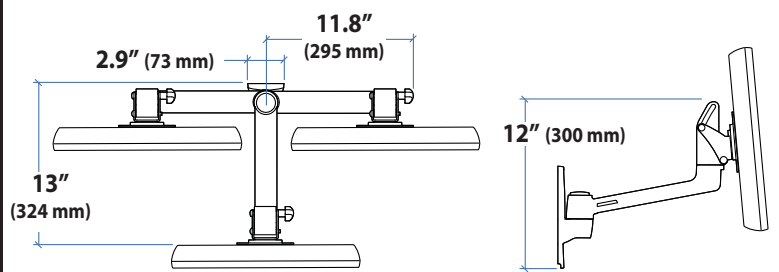
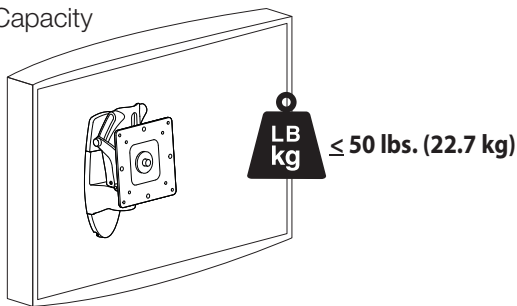
Wall Track mounting:
Button head cap screw
#10-24 x 5/8" (4 places)



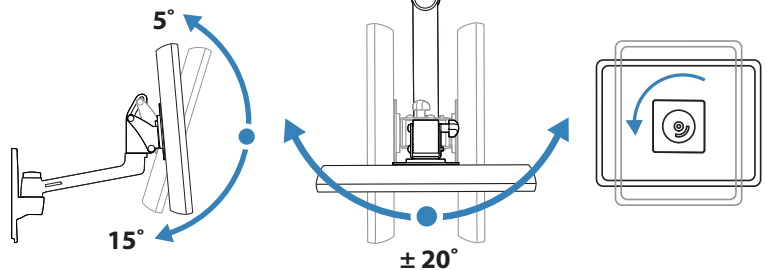
Range of Motion



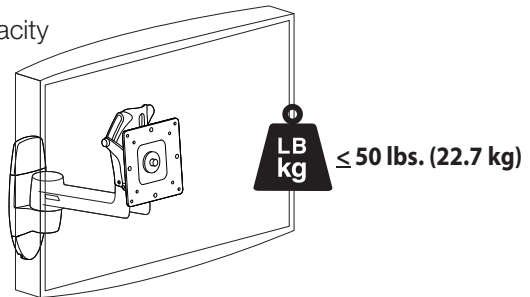
Weight Capacity



Range of Motion



Weight Capacity



© 2014 Ergotron, Inc. rev. 07/22/2014 DIM-066 Content is subject to change without notification

Americas Sales and Corporate Headquarters

St. Paul, MN USA
(800) 888-8458
+1-651-681-7600
www.ergotron.com
sales@ergotron.com

EMEA Sales

Amersfoort, The Netherlands
+31 33 45 45 600
www.ergotron.com
info.eu@ergotron.com

APAC Sale

Tokyo, Japan
www.ergotron.com
apaccustomerservice@ergotron.com

Worldwide OEM Sales

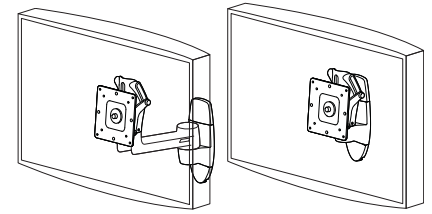
www.ergotron.com
info.oem@ergotron.com



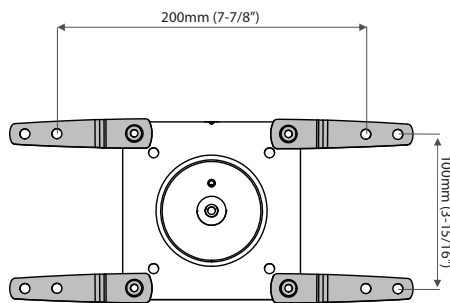
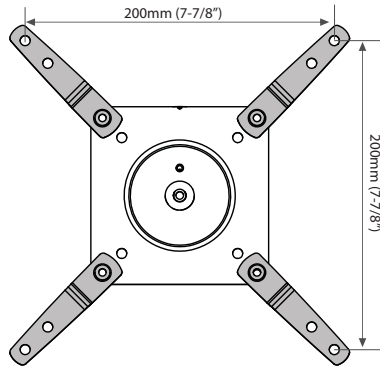
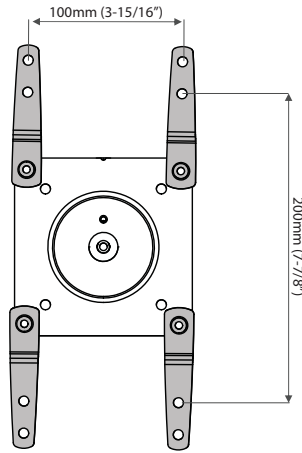
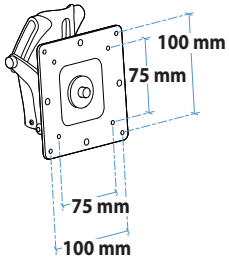
Ergotron® LX

HD Wall Mount Pivot and Swing Arm

Dimensional &
Range of Motion
Illustrations



Display interface



© 2014 Ergotron, Inc. rev. 07/22/2014 DIM-066 Content is subject to change without notification

**Americas Sales and
Corporate Headquarters**

St. Paul, MN USA
(800) 888-8458
+1-651-681-7600
www.ergotron.com
sales@ergotron.com

EMEA Sales

Amersfoort, The Netherlands
+31 33 45 45 600
www.ergotron.com
info.eu@ergotron.com

APAC Sale

Tokyo, Japan
www.ergotron.com
apaccustomerservice@ergotron.com

Worldwide OEM Sales

www.ergotron.com
info.oem@ergotron.com

