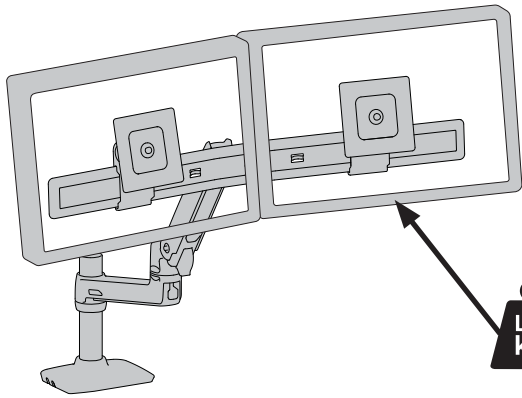
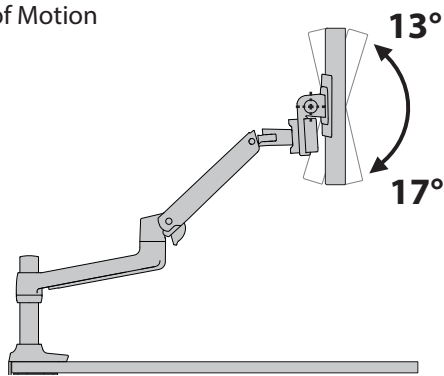


# LX Desk Dual Direct Arm

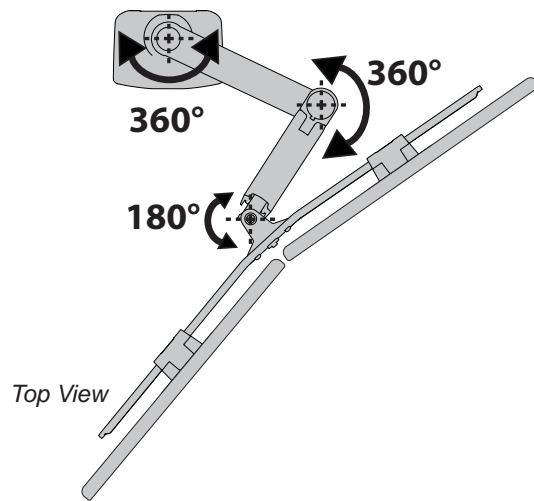


Weight Capacity per monitor:  
 $\leq 11\text{lbs. (5 kg)}$

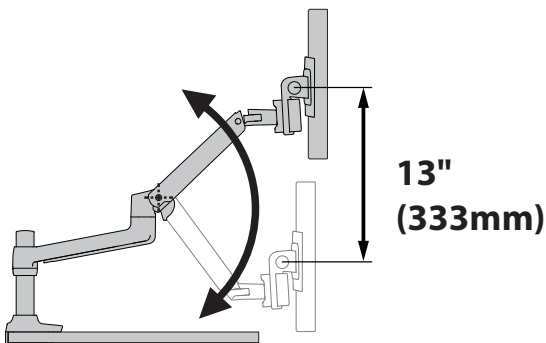
Range of Motion



Side View

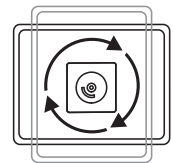
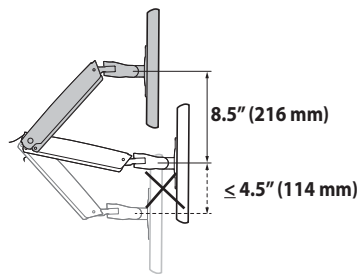


Top View



Side View

\* The lower most range of motion for vertical lift may decrease up to 4.5" (114 mm) when arm is adjusted to hold over 20lbs (9 kgs).



Front View

Portrait/Landscape  
 Rotation

**Americas Sales and Corporate Headquarters**

St. Paul, MN USA  
 (800) 888-8458  
 +1-651-681-7600  
 www.ergotron.com  
 sales@ergotron.com

**EMEA Sales**

Amersfoort, The Netherlands  
 +31 33 45 45 600  
 www.ergotron.com  
 info.eu@ergotron.com

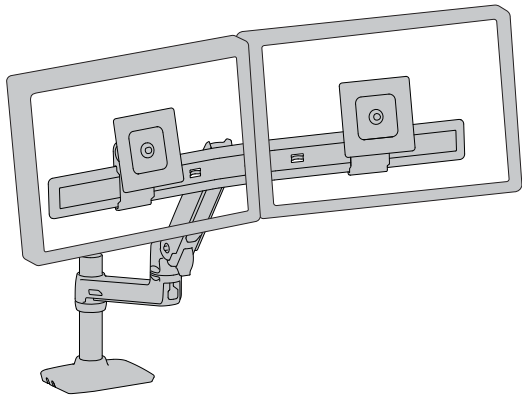
**APAC Sales**

Tokyo, Japan  
 www.ergotron.com  
 japansupport@ergotron.com

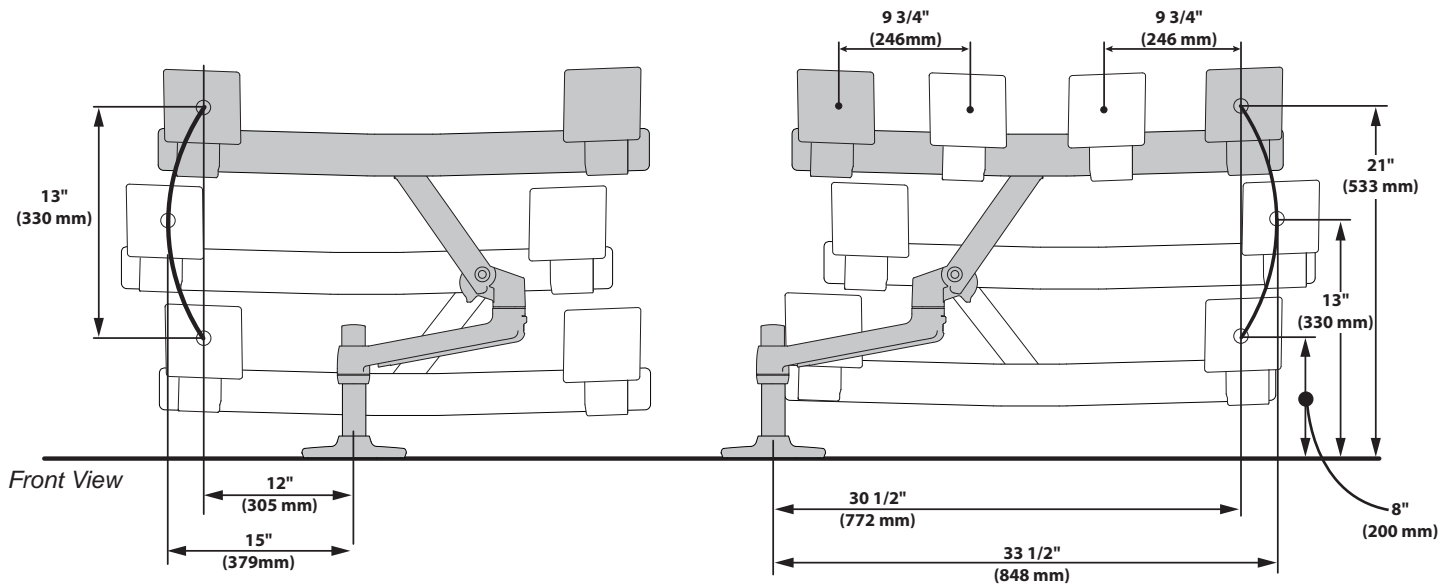
**Worldwide OEM Sales**

www.ergotron.com  
 info.oem@ergotron.com

# LX Desk Dual Direct Arm

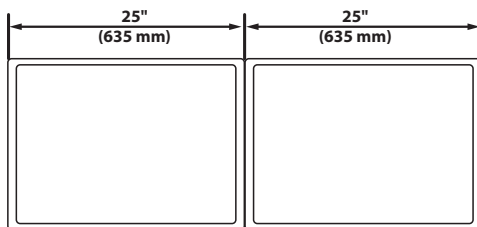


## Dimensions

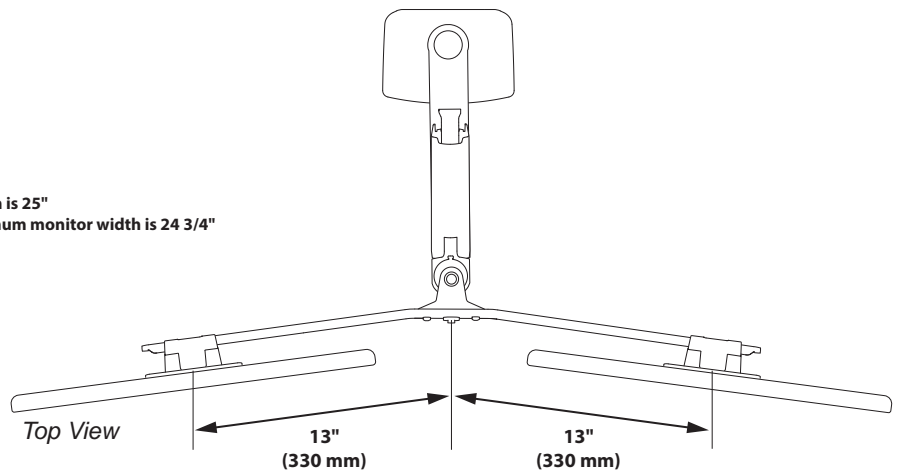


### Max Monitor Size

If your monitor thickness is  $\leq 1 \frac{3}{4}$ " then the maximum monitor width is 25"  
 If your monitor thickness is between  $1 \frac{3}{4}$ " and  $2 \frac{1}{2}$ " then the maximum monitor width is  $24 \frac{3}{4}$ "



Front View



Top View

© 2016 Ergotron, Inc. rev. 12/13/2018 DIM-LXDualBow Content is subject to change without notification

### Americas Sales and Corporate Headquarters

St. Paul, MN USA  
 (800) 888-8458  
 +1-651-681-7600  
 www.ergotron.com  
 sales@ergotron.com

### EMEA Sales

Amersfoort, The Netherlands  
 +31 33 45 45 600  
 www.ergotron.com  
 info.eu@ergotron.com

### APAC Sales

Tokyo, Japan  
 www.ergotron.com  
 japansupport@ergotron.com

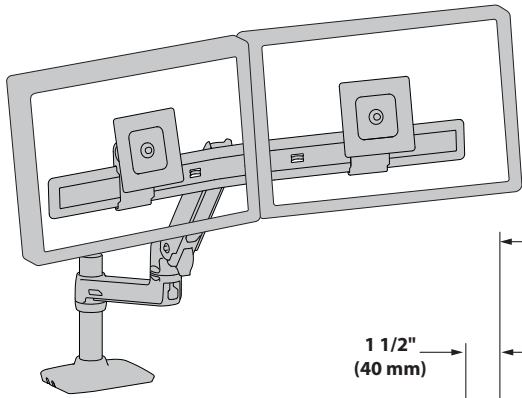
### Worldwide OEM Sales

www.ergotron.com  
 info.oem@ergotron.com

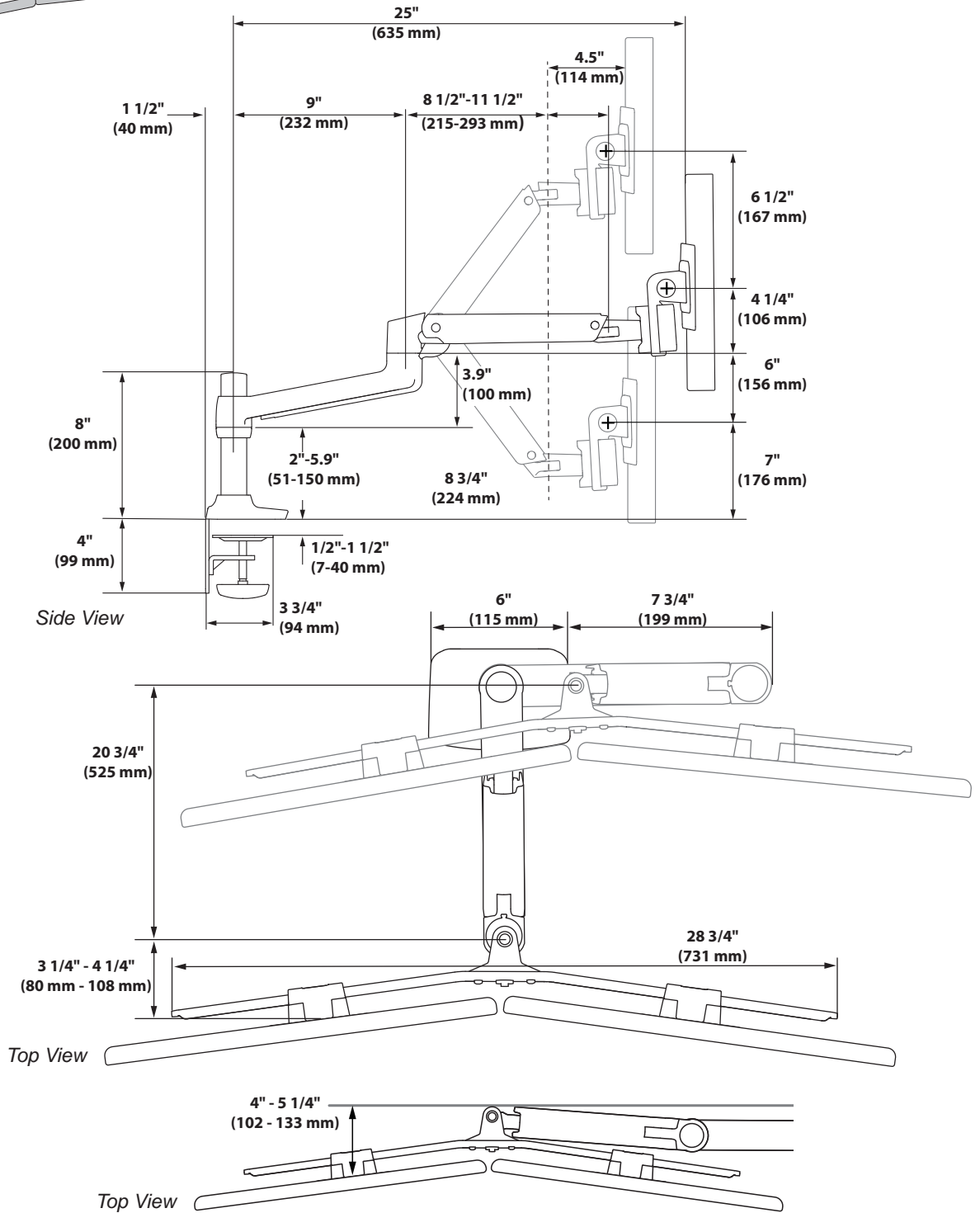
Top View



# LX Desk Dual Direct Arm



Dimensions



© 2016 Ergotron, Inc. rev. 12/13/2018 DIM-LXDualBow Content is subject to change without notification

**Americas Sales and Corporate Headquarters**

St. Paul, MN USA  
 (800) 888-8458  
 +1-651-681-7600  
 www.ergotron.com  
 sales@ergotron.com

**EMEA Sales**

Amersfoort, The Netherlands  
 +31 33 45 45 600  
 www.ergotron.com  
 info.eu@ergotron.com

**APAC Sales**

Tokyo, Japan  
 www.ergotron.com  
 japansupport@ergotron.com

**Worldwide OEM Sales**

www.ergotron.com  
 info.oem@ergotron.com

