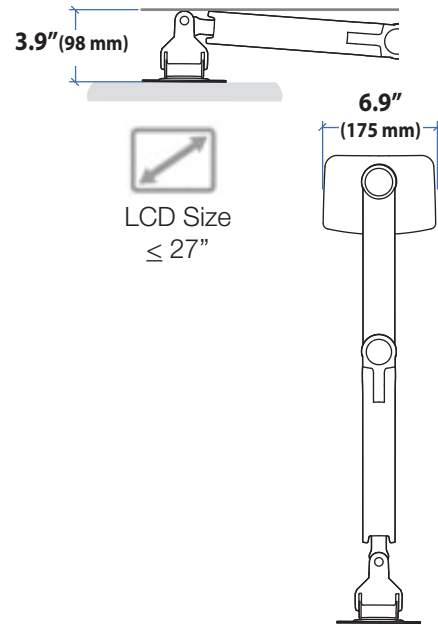
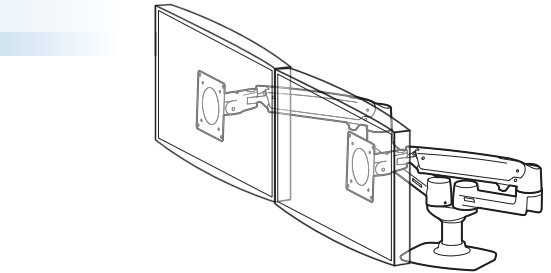
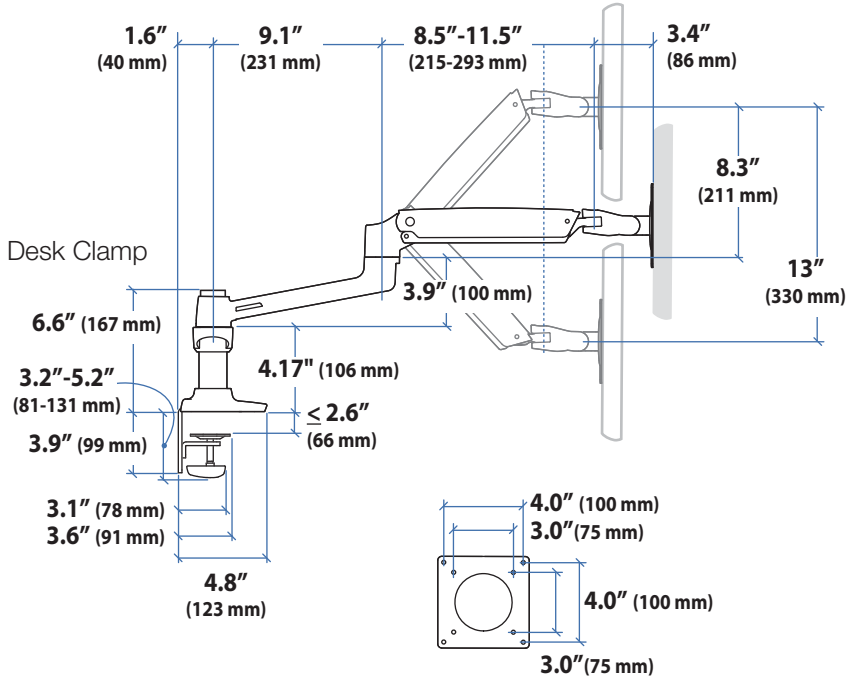


# Ergotron® LX

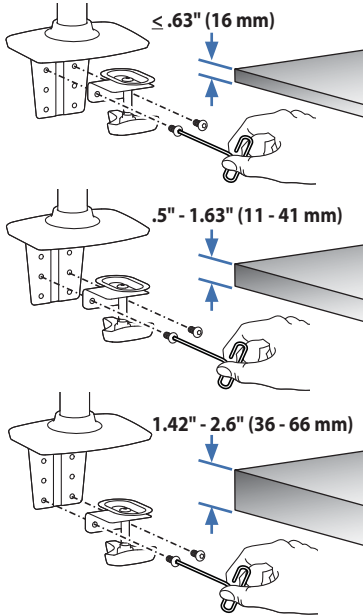
## Dual Side by Side Arm

Dimensional &  
Range of Motion  
Illustrations

### Dimensions



### Desk Clamp



© 2016 Ergotron, Inc. rev. 05/12/2016 DIMLXSxSWt Content is subject to change without notification

#### Americas Sales and Corporate Headquarters

St. Paul, MN USA  
(800) 888-8458  
+1-651-681-7600  
www.ergotron.com  
sales@ergotron.com

#### EMEA Sales

Amersfoort, The Netherlands  
+31 33 45 45 600  
www.ergotron.com  
info.eu@ergotron.com

#### APAC Sale

Tokyo, Japan  
www.ergotron.com  
apaccustomerservice@ergotron.com

#### Worldwide OEM Sales

www.ergotron.com  
info.oem@ergotron.com

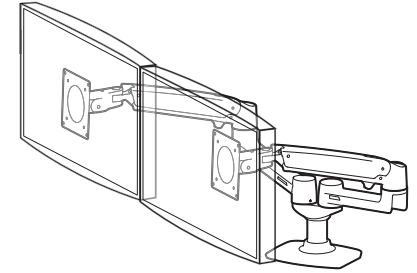
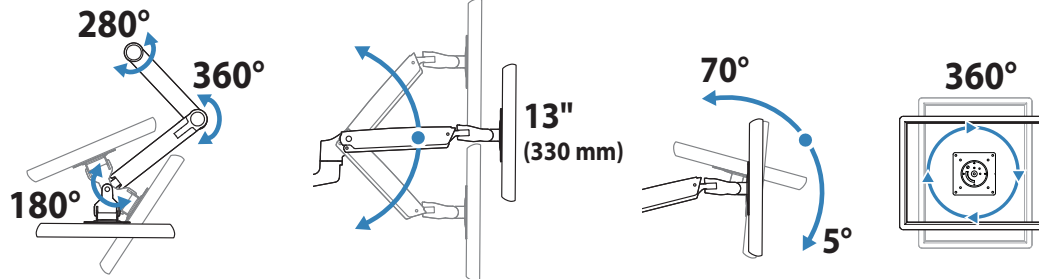


# Ergotron® LX

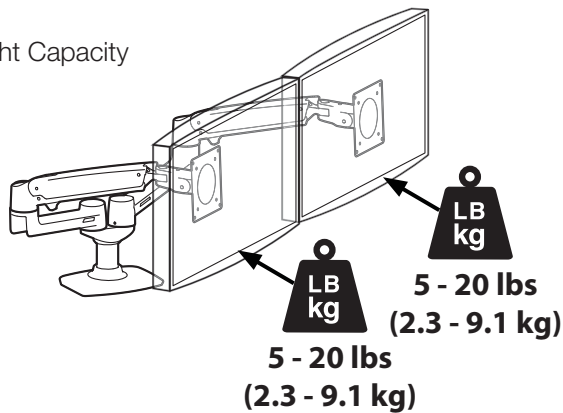
## Dual Side by Side Arm

Dimensional &  
Range of Motion  
Illustrations

### Range of Motion



### Weight Capacity



Monitor depth greater than 2.5" (64 mm) may diminish capacity.  
Call Ergotron for more information.

© 2016 Ergotron, Inc. rev. 05/12/2016 DIMLXsXSWt Content is subject to change without notification

#### Americas Sales and Corporate Headquarters

St. Paul, MN USA  
(800) 888-8458  
+1-651-681-7600  
www.ergotron.com  
sales@ergotron.com

#### EMEA Sales

Amersfoort, The Netherlands  
+31 33 45 45 600  
www.ergotron.com  
info.eu@ergotron.com

#### APAC Sale

Tokyo, Japan  
www.ergotron.com  
apaccustomerservice@ergotron.com

#### Worldwide OEM Sales

www.ergotron.com  
info.oem@ergotron.com

