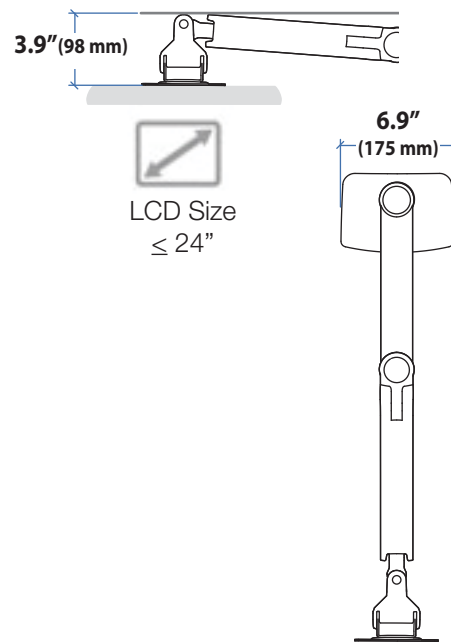
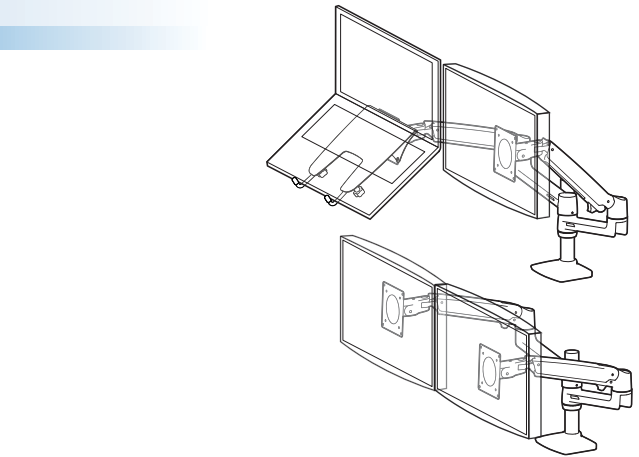
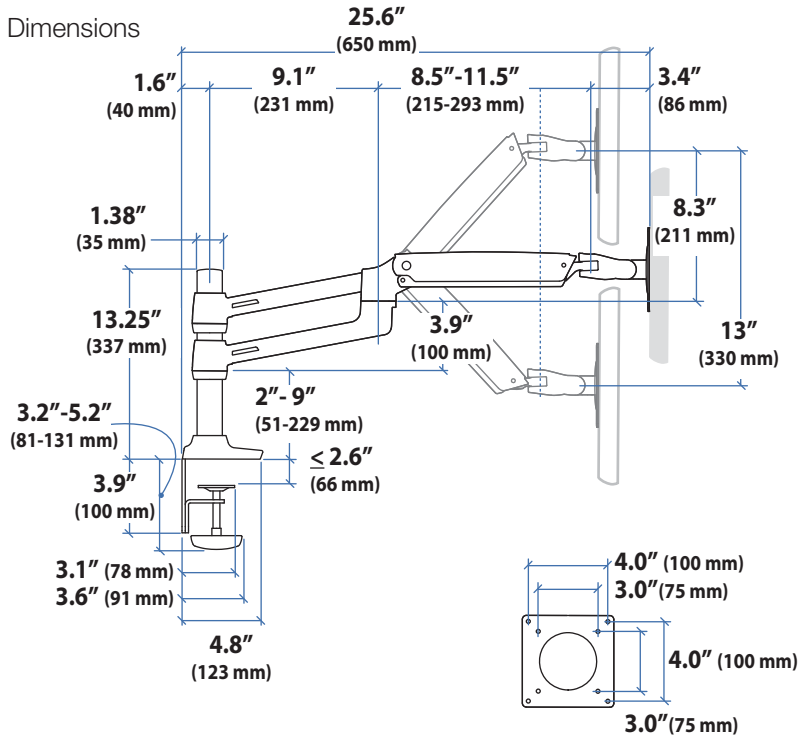


Ergotron® LX

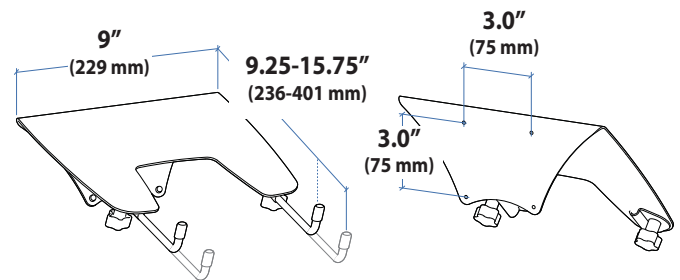
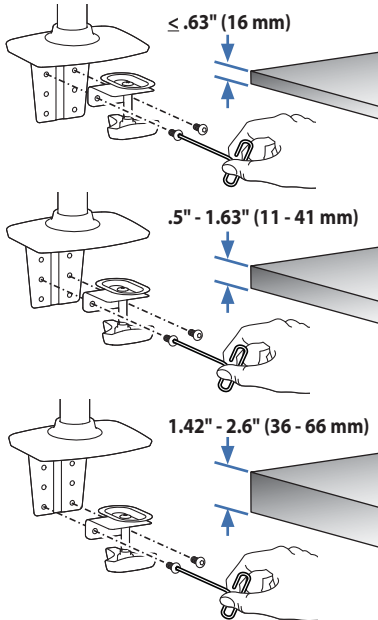
Dual Stacking Arm

Dimensional & Range of Motion Illustrations

Dimensions



Desk Clamp



© 2016 Ergotron, Inc. rev. 05/12/2016 DIM-LXDLSStackWt Content is subject to change without notification

Americas Sales and Corporate Headquarters

St. Paul, MN USA
(800) 888-8458
+1-651-681-7600
www.ergotron.com
sales@ergotron.com

EMEA Sales

Amersfoort, The Netherlands
+31 33 45 45 600
www.ergotron.com
info.eu@ergotron.com

APAC Sale

Tokyo, Japan
www.ergotron.com
apaccustomerservice@ergotron.com

Worldwide OEM Sales

www.ergotron.com
info.oem@ergotron.com

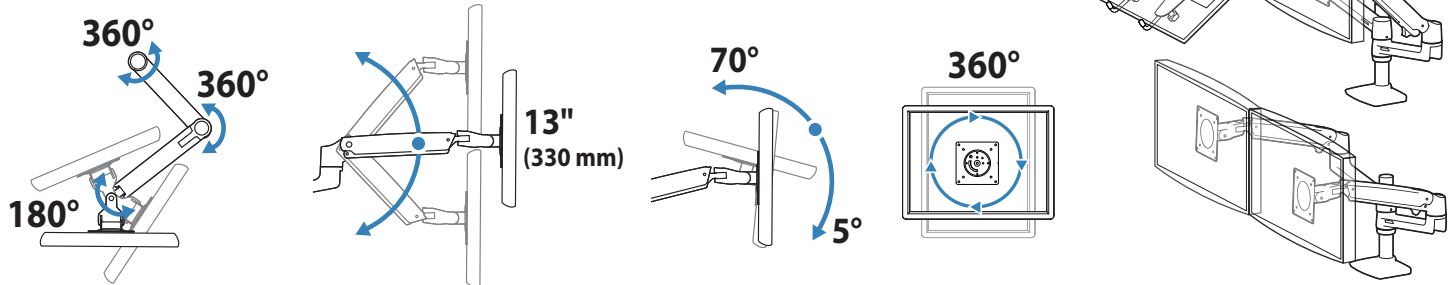


Ergotron® LX

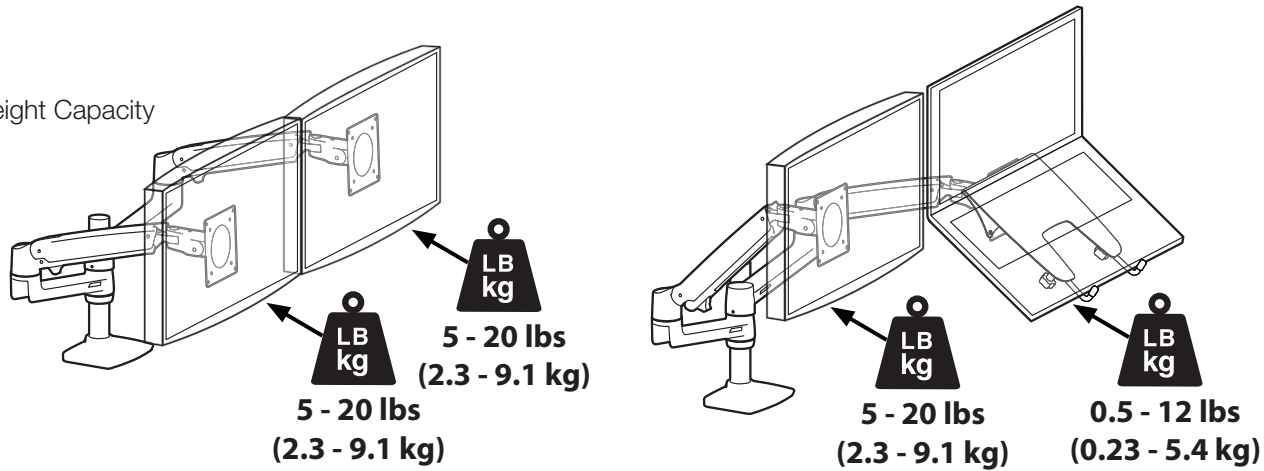
Dual Stacking Arm

Dimensional & Range of Motion Illustrations

Range of Motion



Weight Capacity



Monitor depth greater than 2.5" (64 mm) may diminish capacity. Call Ergotron for more information.

© 2016 Ergotron, Inc. rev. 05/12/2016 DIM-LXDLStackWt Content is subject to change without notification

Americas Sales and Corporate Headquarters

St. Paul, MN USA
(800) 888-8458
+1-651-681-7600
www.ergotron.com
sales@ergotron.com

EMEA Sales

Amersfoort, The Netherlands
+31 33 45 45 600
www.ergotron.com
info.eu@ergotron.com

APAC Sale

Tokyo, Japan
www.ergotron.com
apaccustomerservice@ergotron.com

Worldwide OEM Sales

www.ergotron.com
info.oem@ergotron.com

