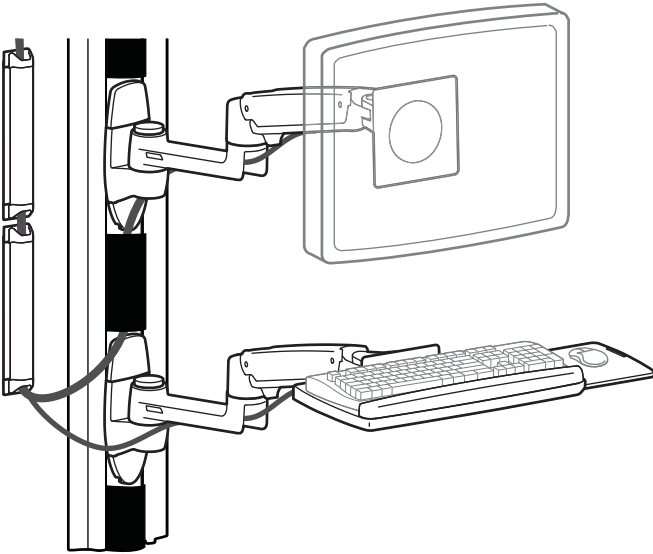
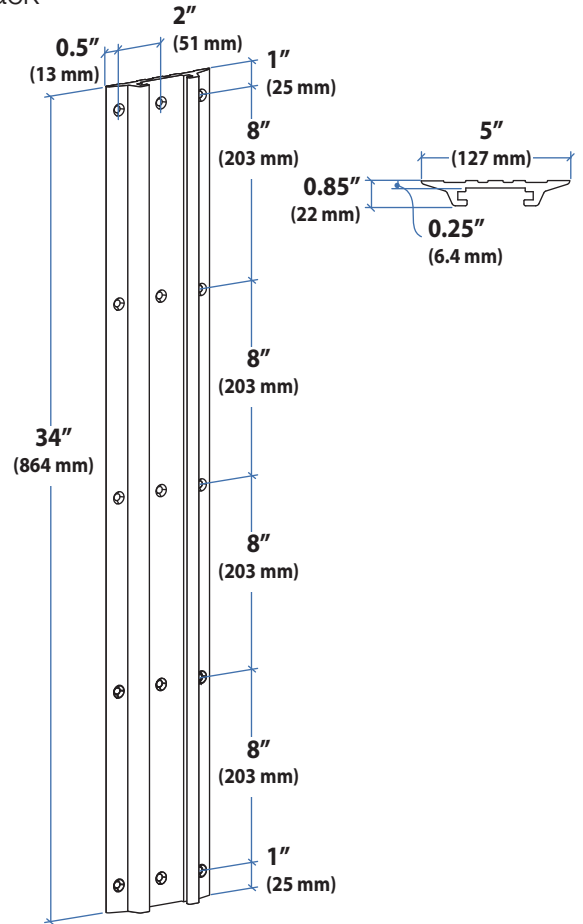


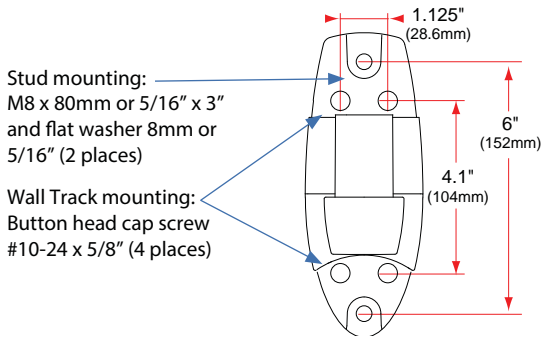
# LX Wall Mount System, White



Wall Track

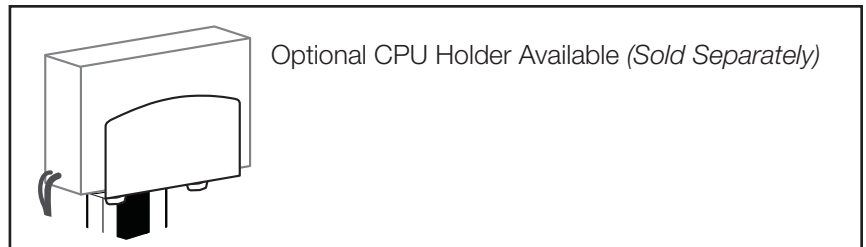


Wall Mount Bracket



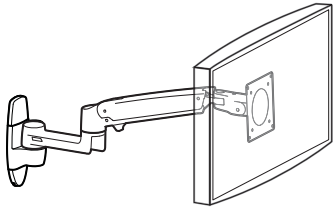
Stud mounting:  
M8 x 80mm or 5/16" x 3"  
and flat washer 8mm or  
5/16" (2 places)

Wall Track mounting:  
Button head cap screw  
#10-24 x 5/8" (4 places)



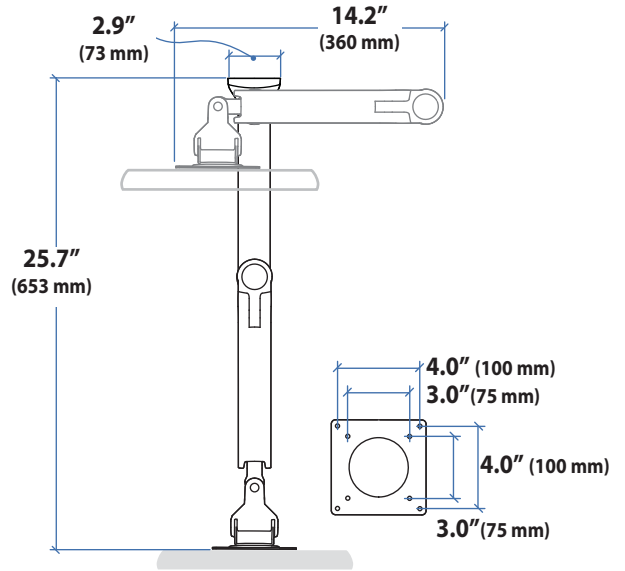
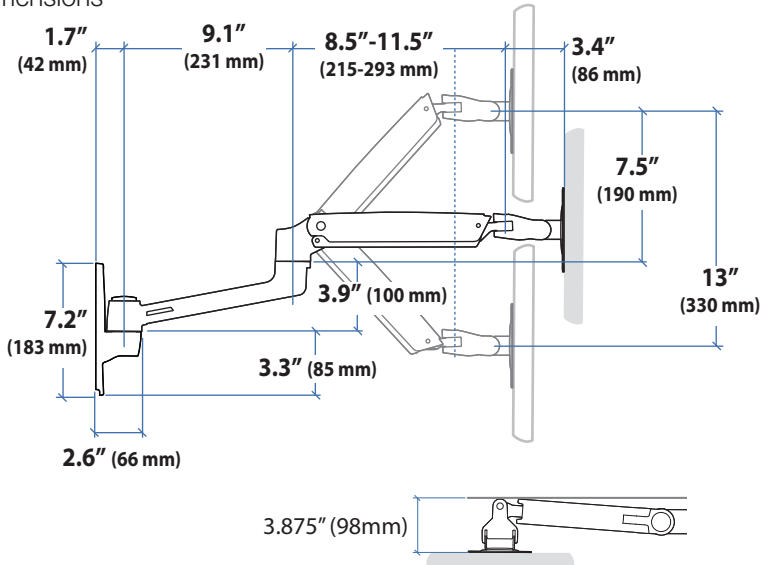
Optional CPU Holder Available (Sold Separately)

## LX Wall Mount System, White

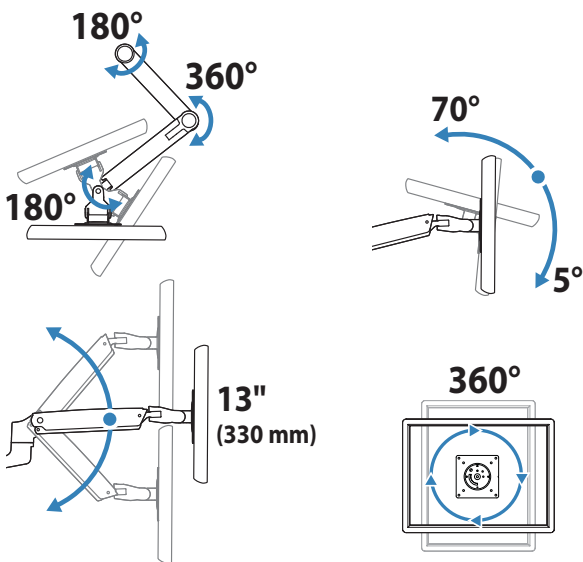


LCD Arm

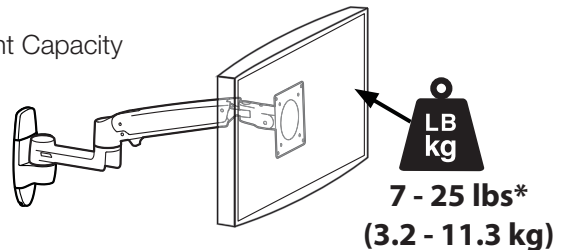
Dimensions



Range of Motion



Weight Capacity



Monitor depth greater than 2.5" (64 mm) may diminish capacity. Call Ergotron for more information.

**\* The lower most range of motion for vertical lift is decreased up to 4.5" (114 mm) when arm is adjusted to hold over 20lbs (9 kgs).**

© 2017 Ergotron, Inc. rev. 11/22/2017 DIM-LXWMSysWT Content is subject to change without notification

**Americas Sales and Corporate Headquarters**

St. Paul, MN USA  
(800) 888-8458  
+1-651-681-7600  
www.ergotron.com  
sales@ergotron.com

**EMEA Sales**

Amersfoort, The Netherlands  
+31 33 45 45 600  
www.ergotron.com  
info.eu@ergotron.com

**APAC Sales**

Tokyo, Japan  
www.ergotron.com  
apaccustomerservice@ergotron.com

**Worldwide OEM Sales**

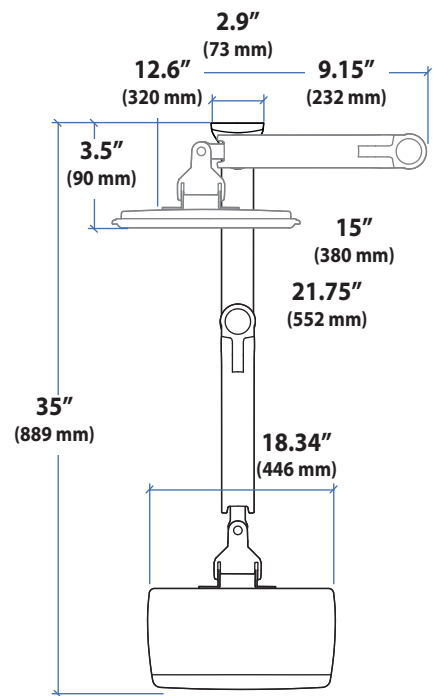
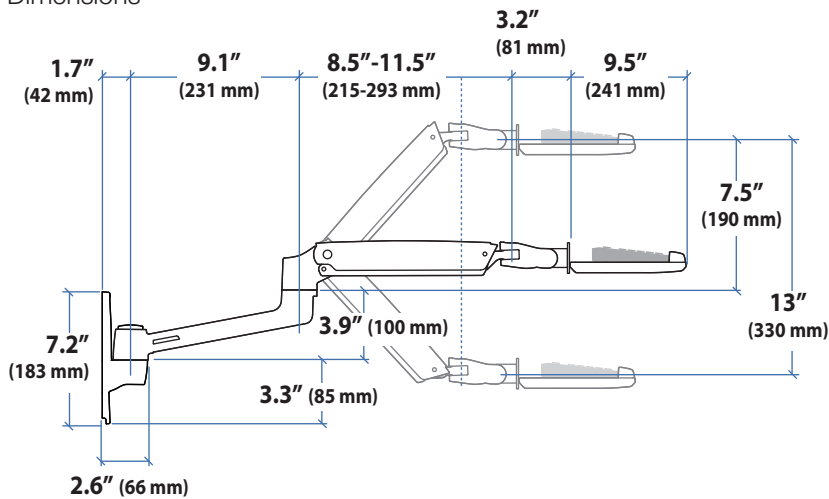
www.ergotron.com  
info.oem@ergotron.com



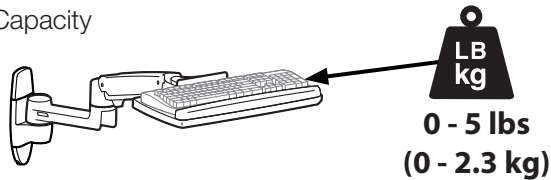
Keyboard Arm

## LX Wall Mount System, White

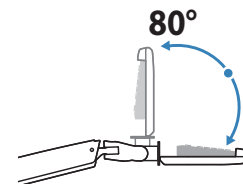
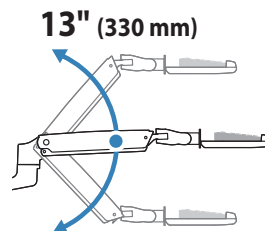
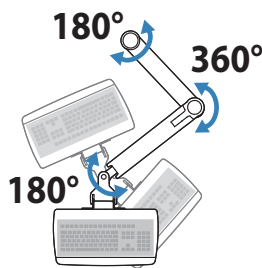
### Dimensions



### Weight Capacity



### Range of Motion



© 2017 Ergotron, Inc. rev. 11/22/2017 DIM-LXWMSysWT Content is subject to change without notification

#### Americas Sales and Corporate Headquarters

St. Paul, MN USA  
(800) 888-8458  
+1-651-681-7600  
www.ergotron.com  
sales@ergotron.com

#### EMEA Sales

Amersfoort, The Netherlands  
+31 33 45 45 600  
www.ergotron.com  
info.eu@ergotron.com

#### APAC Sales

Tokyo, Japan  
www.ergotron.com  
apaccustomerservice@ergotron.com

#### Worldwide OEM Sales

www.ergotron.com  
info.oem@ergotron.com