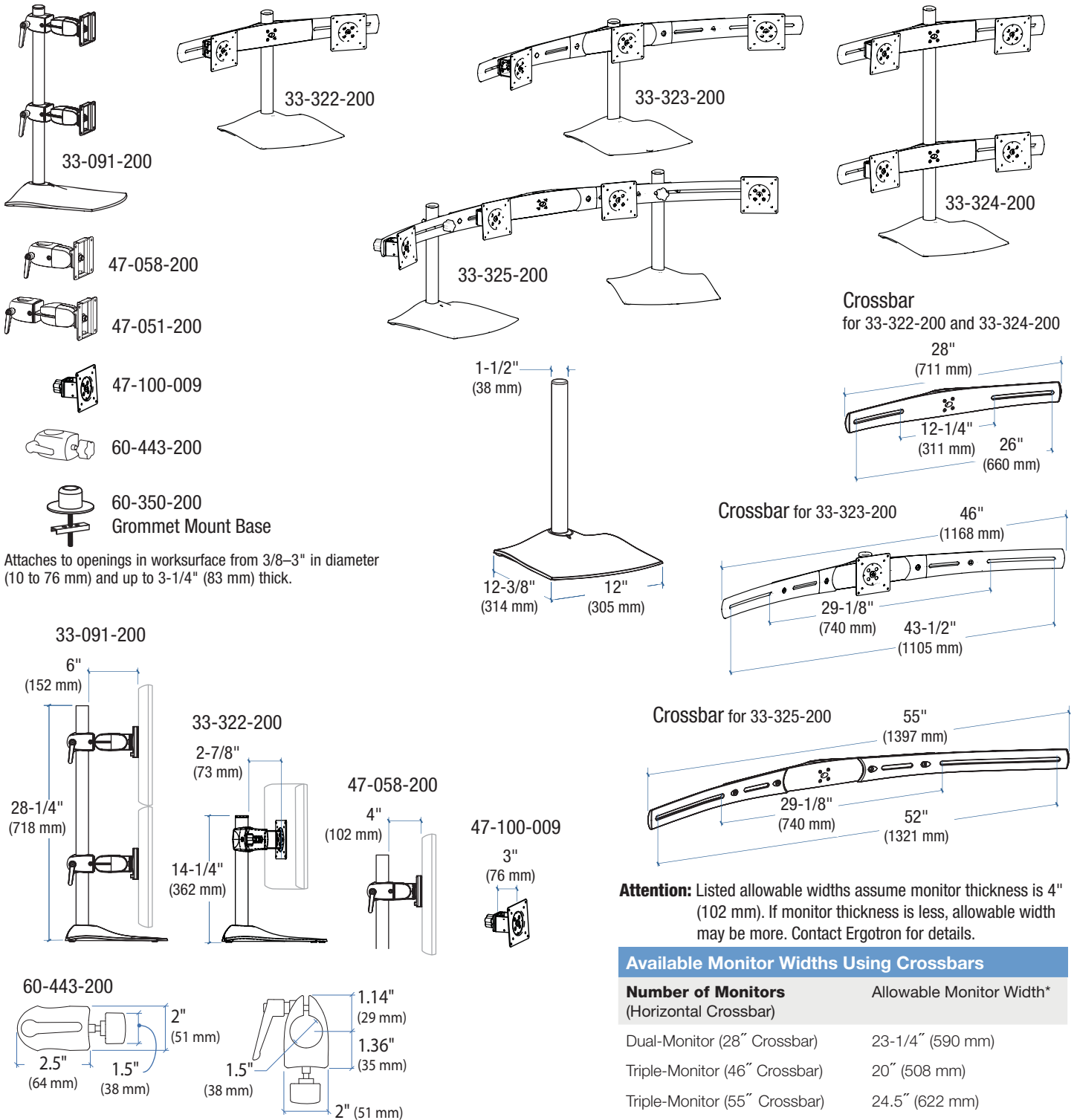


Ergotron® DS100 Series

Dimensional Illustrations

Dual, Triple, and Quad Desk Stands



Attention: Listed allowable widths assume monitor thickness is 4" (102 mm). If monitor thickness is less, allowable width may be more. Contact Ergotron for details.

Available Monitor Widths Using Crossbars

Number of Monitors (Horizontal Crossbar)	Allowable Monitor Width*
Dual-Monitor (28" Crossbar)	23-1/4" (590 mm)
Triple-Monitor (46" Crossbar)	20" (508 mm)
Triple-Monitor (55" Crossbar)	24.5" (622 mm)
Quad-Monitor (55" Crossbar)	16" (406 mm)

© 2010 Ergotron, Inc. rev. 05/20/2010 DIM-030 Content is subject to change without notification

<p>Americas Sales and Corporate Headquarters</p> <p>St. Paul, MN USA (800) 888-8458 +1-651-681-7600 www.ergotron.com sales@ergotron.com</p>	<p>EMEA Sales</p> <p>Amersfoort, The Netherlands +31 33 45 45 600 www.ergotron.com info.eu@ergotron.com</p>	<p>APAC Sale</p> <p>Tokyo, Japan www.ergotron.com apaccustomerservice@ergotron.com</p>	<p>Worldwide OEM Sales</p> <p>www.ergotron.com info.oem@ergotron.com</p>
--	--	---	---

