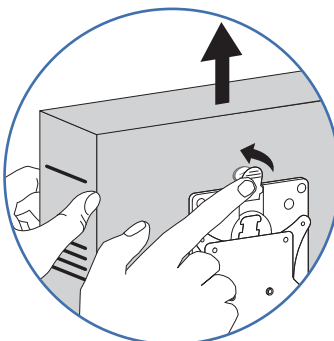
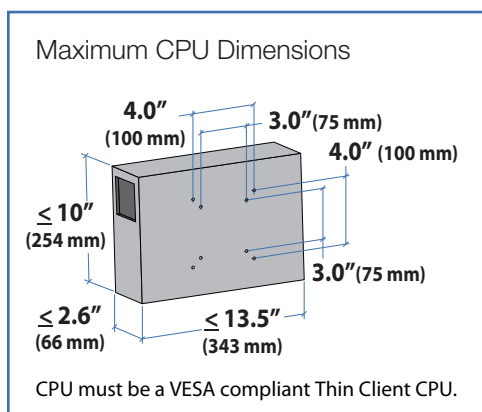
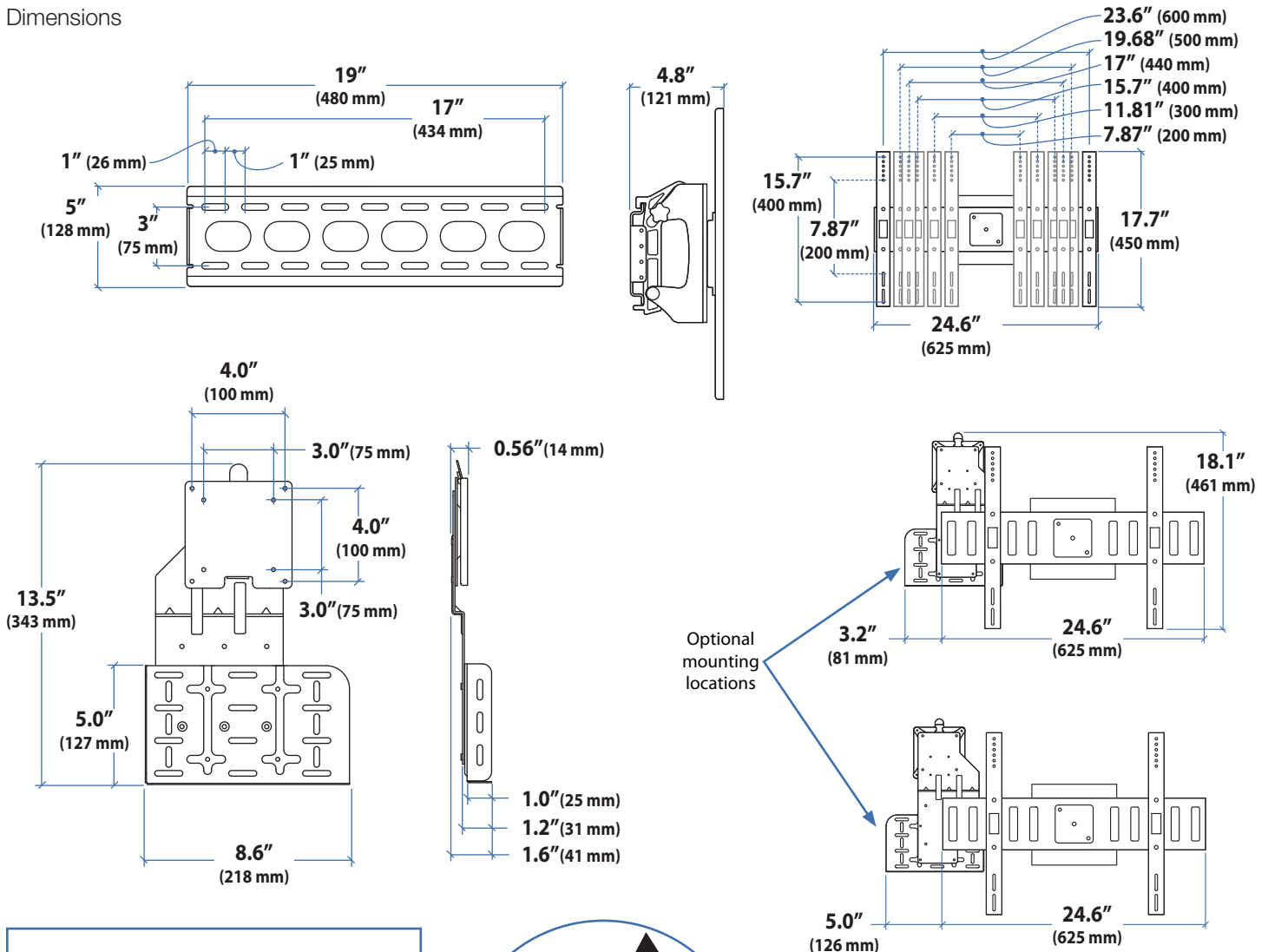


## SIM90 Signage Integration Mount

### Dimensions



Quick Release bracket for easy CPU attachment and removal. (Can be disabled for theft deterrence.)

© 2009 Ergotron, Inc. rev. 10/07/2009 DIM-SIM90 Content is subject to change without notification

#### Americas Sales and Corporate Headquarters

St. Paul, MN USA  
 (800) 888-8458  
 +1-651-681-7600  
 www.ergotron.com  
 sales@ergotron.com

#### EMEA Sales

Amersfoort, The Netherlands  
 +31 33 45 45 600  
 www.ergotron.com  
 info.eu@ergotron.com

#### APAC Sale

Tokyo, Japan  
 www.ergotron.com  
 apaccustomerservice@ergotron.com

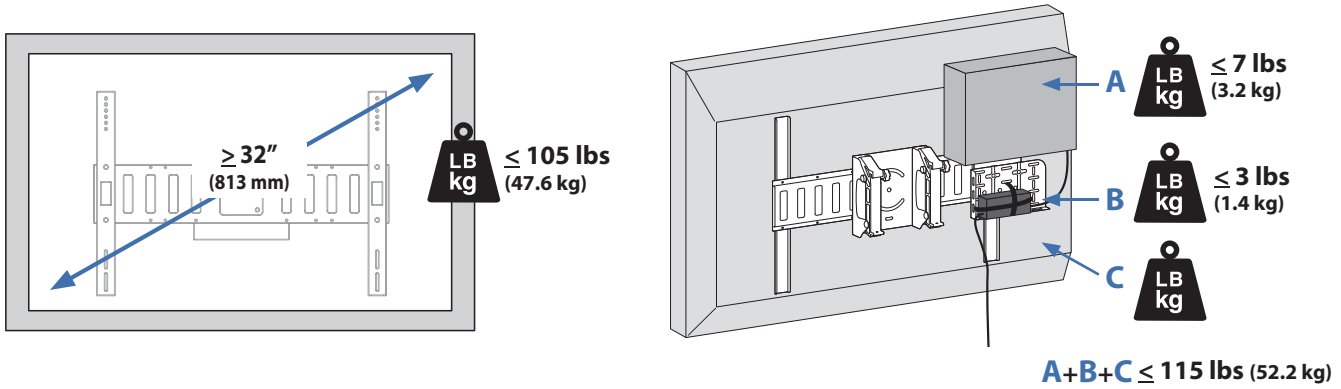
#### Worldwide OEM Sales

www.ergotron.com  
 info.oem@ergotron.com

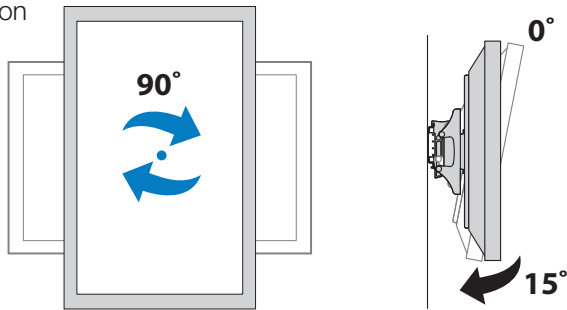


## SIM90 Signage Integration Mount

### Weight Capacity



### Range of Motion



© 2009 Ergotron, Inc. rev. 10/07/2009 DIM-SIM90 Content is subject to change without notification

#### Americas Sales and Corporate Headquarters

St. Paul, MN USA  
 (800) 888-8458  
 +1-651-681-7600  
[www.ergotron.com](http://www.ergotron.com)  
[sales@ergotron.com](mailto:sales@ergotron.com)

#### EMEA Sales

Amersfoort, The Netherlands  
 +31 33 45 45 600  
[www.ergotron.com](http://www.ergotron.com)  
[info.eu@ergotron.com](mailto:info.eu@ergotron.com)

#### APAC Sale

Tokyo, Japan  
[www.ergotron.com](http://www.ergotron.com)  
[apaccustomerservice@ergotron.com](mailto:apaccustomerservice@ergotron.com)

#### Worldwide OEM Sales

[www.ergotron.com](http://www.ergotron.com)  
[info.oem@ergotron.com](mailto:info.oem@ergotron.com)

