



Neo-Flex® Ceiling Mount

ENGLISH

Touchboards

205 Westwood Ave, Long Branch, NJ 07740
Phone: 866-94 BOARDS (26273) / (732)-222-1511
Fax: (732)-222-7088 | E-mail: sales@touchboards.com

 www.ergotron.com

USA 1-800-888-8458

Europe +31 (0)33-45 45 600

China 86-769-86018920

For service and warranty visit www.ergotron.com

Si desea información de servicio y garantía, visite www.ergotron.com

Pour toute question concernant la garantie ou le service client, consultez www.ergotron.com

Weitere Informationen zu Service und Gewährleistung erhalten Sie unter www.ergotron.com.

Ga voor service en garantie naar www.ergotron.com

Per assistenza e la garanzia visitate www.ergotron.com

Gå in på www.ergotron.com för service och garanti

サービスおよび保証については、www.ergotron.com をご覧ください。

有关服务和保修，请访问 www.ergotron.com

www.ergotron.com

User's Guide - English

Guía del usuario - Español

Manuel de l'utilisateur - Français

Gebruikersgids - Nederlands

Benutzerhandbuch - Deutsch

Guida per l'utente - Italiano

Användarhandbok - svenska

ユーザーガイド: 日本語

用户指南: 汉语



Max screen size: 65"

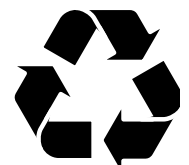
Max weight 125lbs – 56.7 kg

CAUTION: DO NOT EXCEED MAX-

IMUM LISTED WEIGHT CAPACITY.

SERIOUS INJURY OR PROPERTY





DAMAGE MAY OCCUR!



Reduce.Reuse.Recycle

Hazard Symbols Review

These symbols alert users of a safety condition that demands attention. All users should be able to recognize and understand the significance of the following Safety Hazards if encountered on the product or within the documentation. Children who are not able to recognize and respond appropriately to Safety Alerts should not use this product without adult supervision!

Symbol	Signal Word	Level of Hazard
	NOTE	A NOTE indicates important information that helps you make better use of this product.
	CAUTION	A CAUTION indicates either potential damage to hardware or loss of data and tells you how to avoid the problem.
	WARNING	A WARNING indicates either potential for property damage, personal injury, or death.
	ELECTRICAL	An Electrical indicates an impending electrical hazard which, if not avoided, may result in personal injury, fire and/or death.

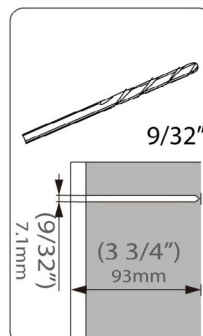
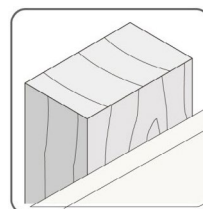
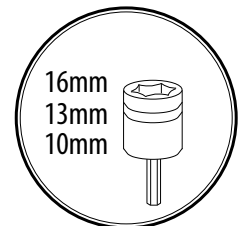
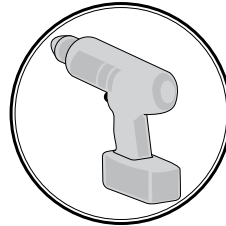
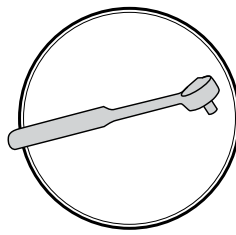
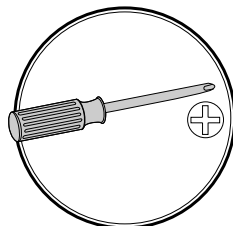
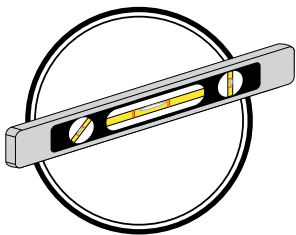
Safety



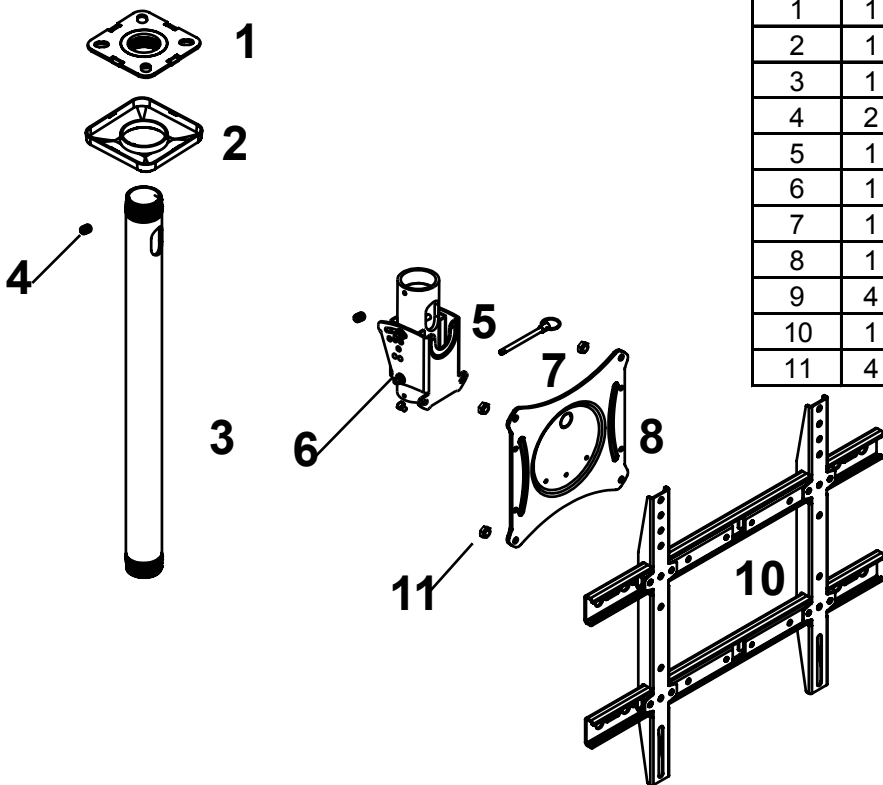
WARNING: FAILURE TO READ, THOROUGHLY UNDERSTAND, AND FOLLOW ALL INSTRUCTIONS CAN RESULT IN SERIOUS PERSONAL INJURY, DAMAGE TO PERSONAL PROPERTY, OR VOIDING OF FACTORY WARRANTY! For ceiling mounted products, professional installation is highly recommended. The included mounting plate and hardware has been designed for wood beams and joists 2"x4" and greater. For a safe installation, the ceiling must support 4 times the weight of the total load. The installer is responsible for verifying that the ceiling structure will safely support the total load of the product using the selected mounting hardware for the particular installation.

Do not attempt to install or assemble this product if the product or hardware is damaged or missing. In the event that replacement parts or hardware are needed, please contact Customer Service

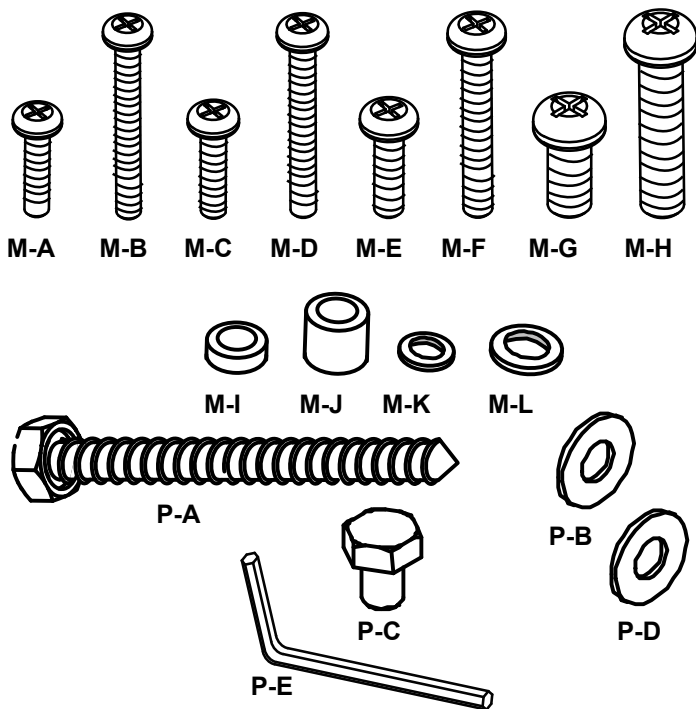
Tools Needed



Components



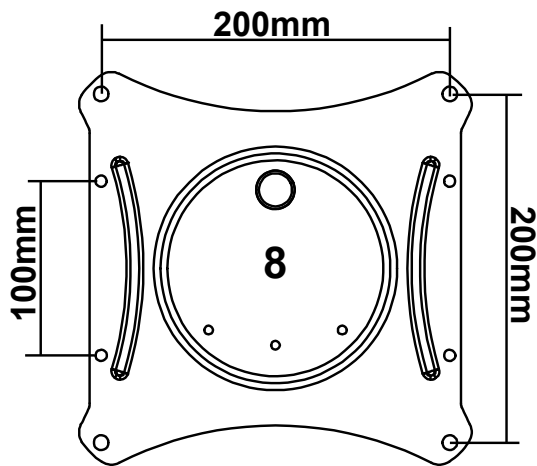
Contents		
Part #	Qty	Description
1	1	Ceiling Plate
2	1	Ceiling Plate Cover
3	1	NPT pipe
4	2	NPT Pipe Set Screw
5	1	Single Tilt Head
6	1	Tilt Adjustment Nut
7	1	Tilt Pin
8	1	VESA Monitor Plate
9	4	M8 Hex Screw
10	1	Universal Monitor Adapter
11	4	M8 Nylock Nut



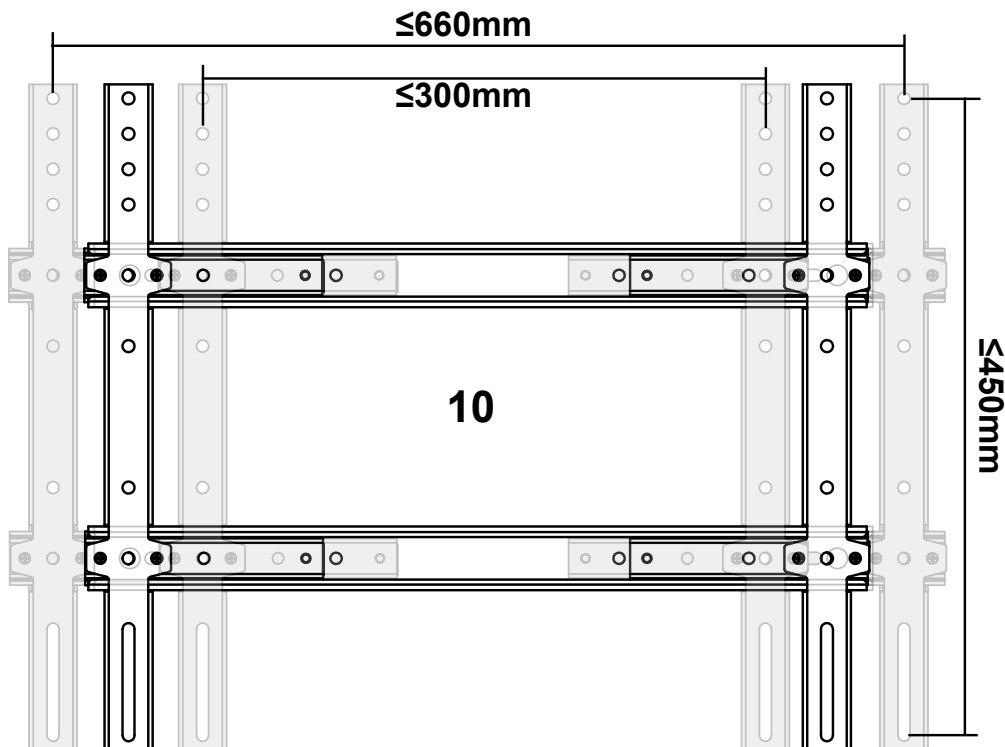
Screws / Hardware for Flat Panel (PN: 697-613)		
Part #	Qty	Description
M-A	4	Philips screws M4 x 15mm
M-B	4	Philips screws M4 x 30mm
M-C	4	Philips screws M5 x 15mm
M-D	4	Philips screws M5 x 30mm
M-E	4	Philips screws M6 x 15mm
M-F	4	Philips screws M6 x 30mm
M-G	4	Philips screws M8 x 15mm
M-H	4	Philips screws M8 x 30mm
M-I	4	Round Spacers: M6-M8 x 5mm
M-J	4	Round Spacers: M6-M8 x 10mm
M-K	4	Round Washers: M4-M5
M-L	4	Round Washers: M6-M8
Specialty Hardware Kit		
Part #	Qty	Description
P-A	4	Lag Bolts
P-B	4	M10 Steel Washers
Specialty Hardware Kit		
Part #	Qty	Description
P-C	2	M6x8mm Long Hex Head Screw
P-D	2	M6 Steel Washer
P-E	1	Allen Wrench 2.5mm

1 Monitor Plate Options

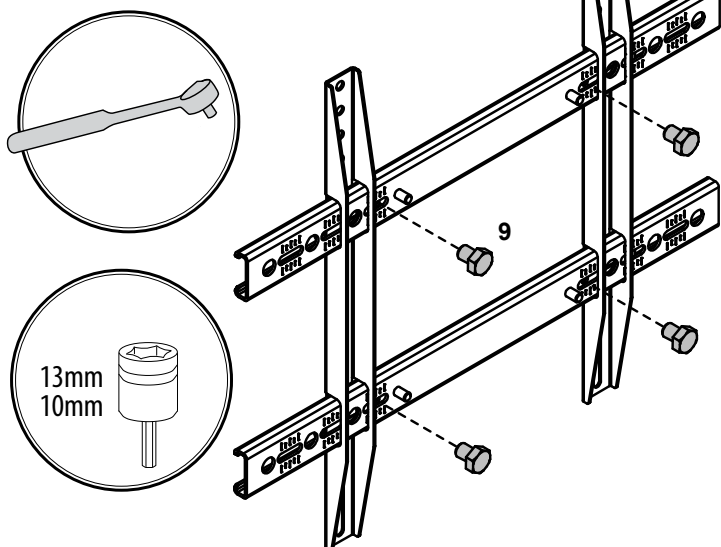
OPT A



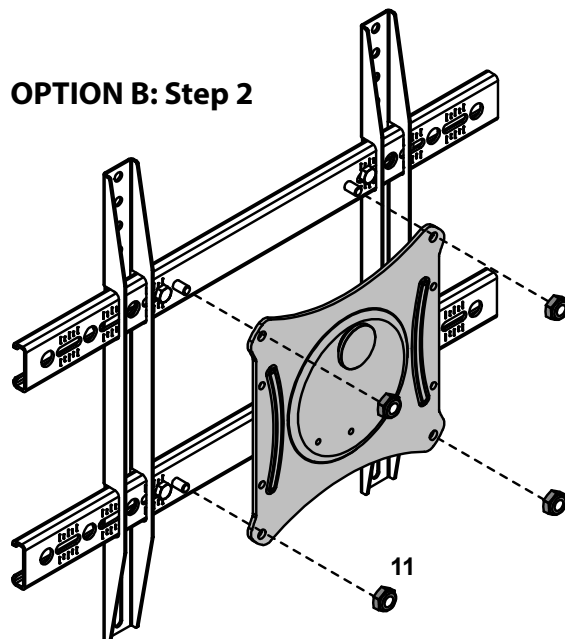
OPT B



OPTION B: Step 1

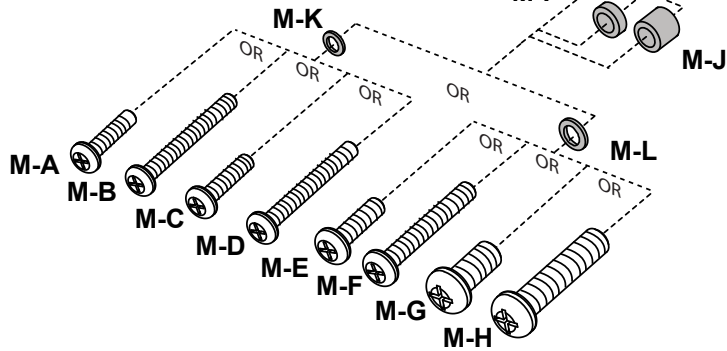
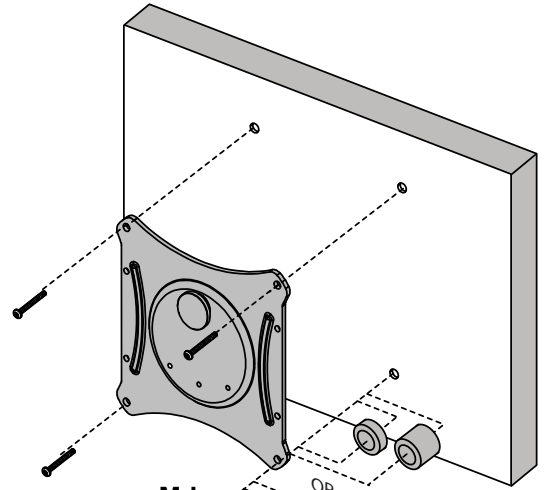
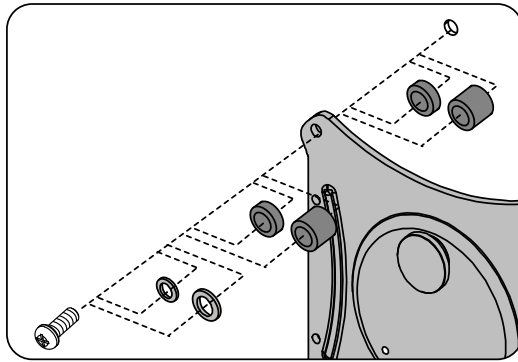
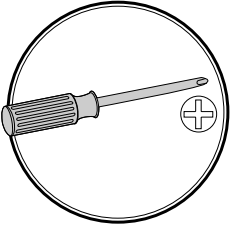


OPTION B: Step 2



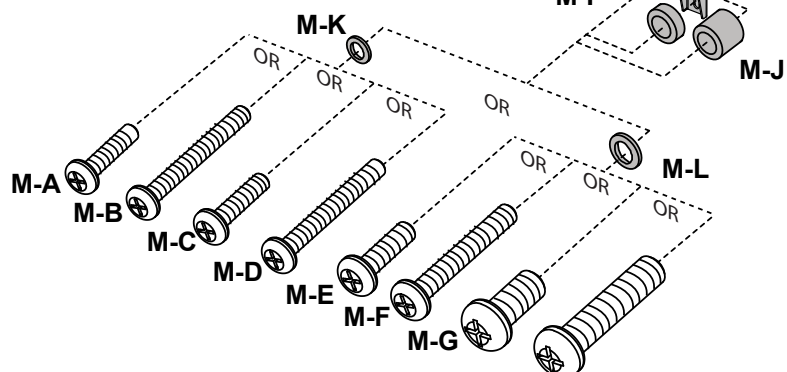
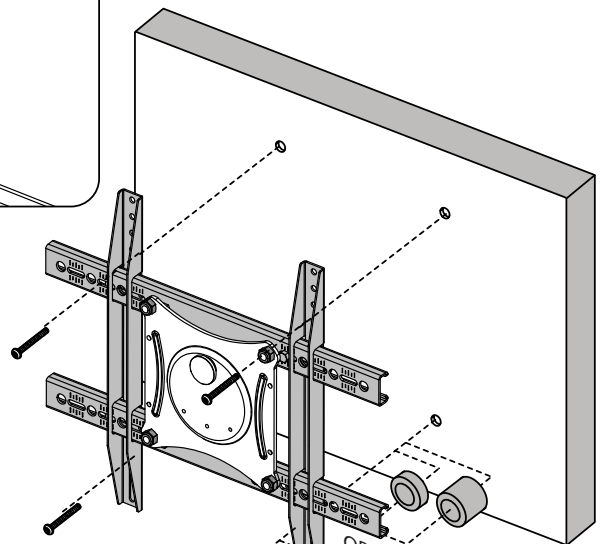
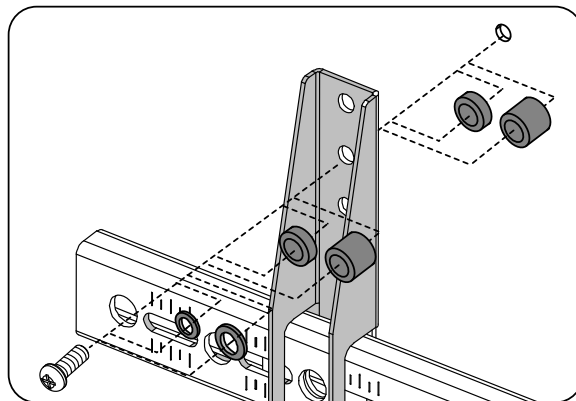
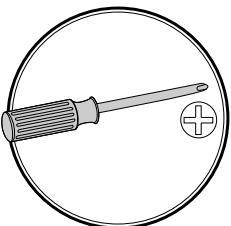
OPT A

OPTION A: Step 1
Connect adapter to flat panel

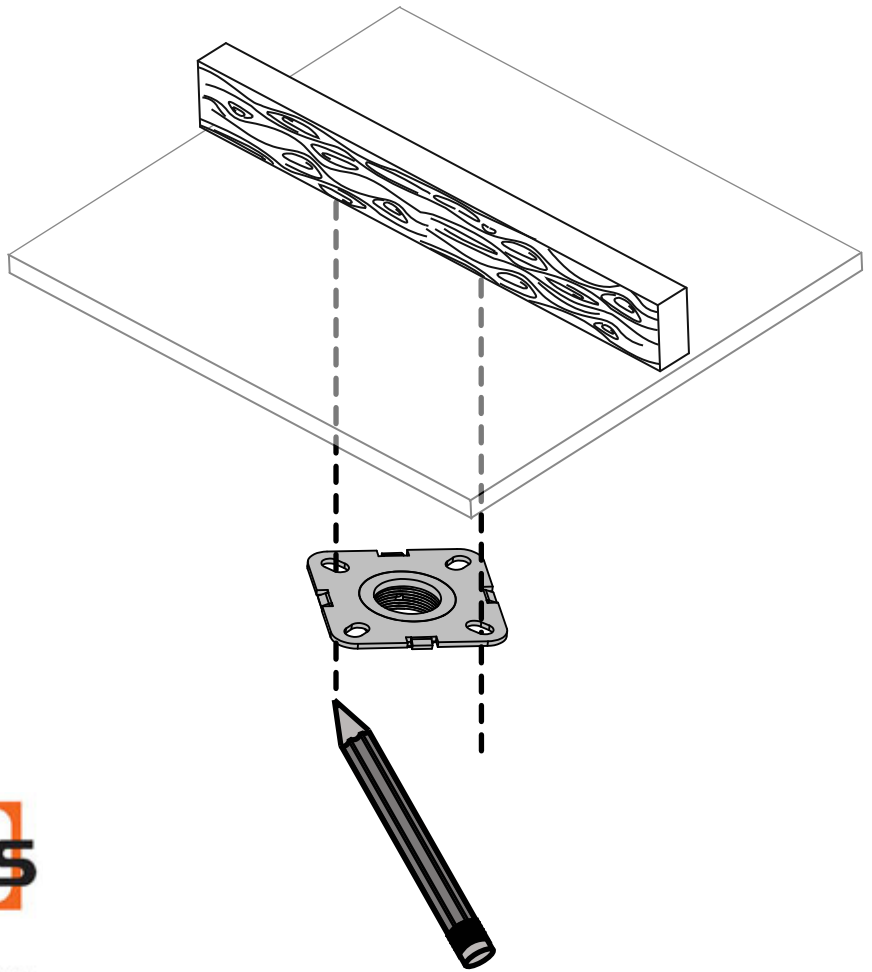


OPT B

OPTION B: Step 3
Connect adapter to flat panel

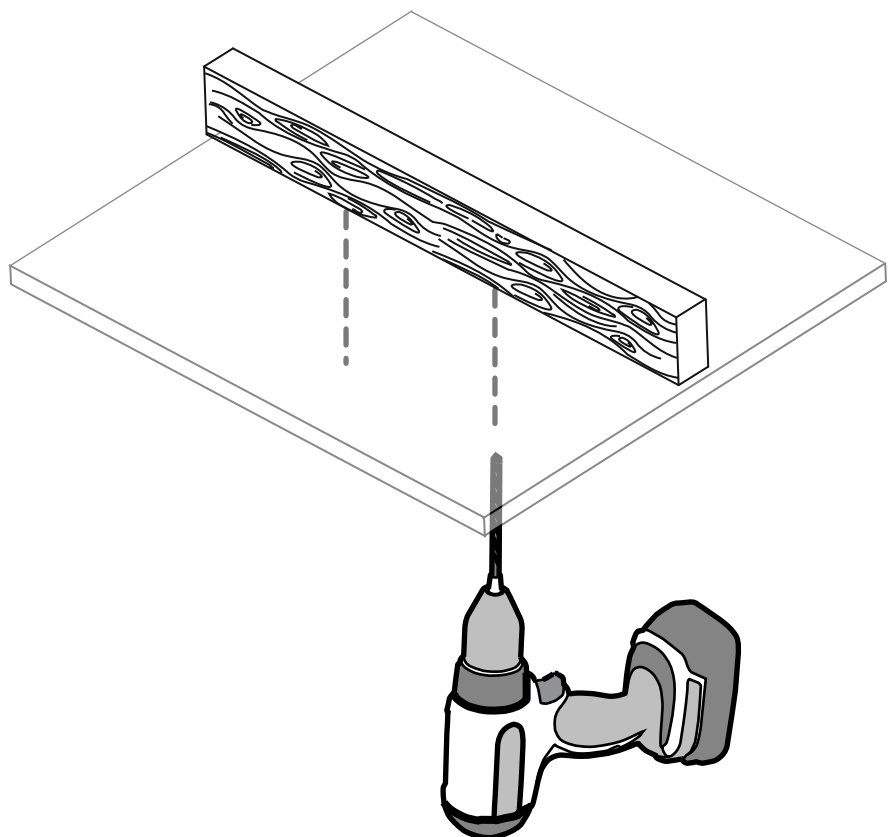
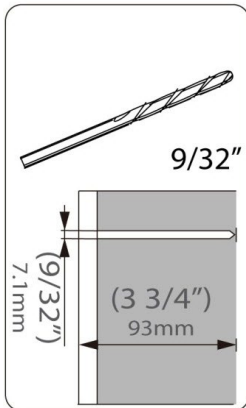
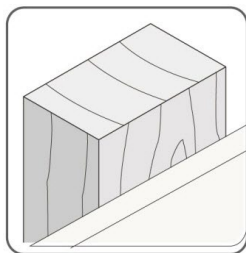


2 Find stud and mark edge and center locations

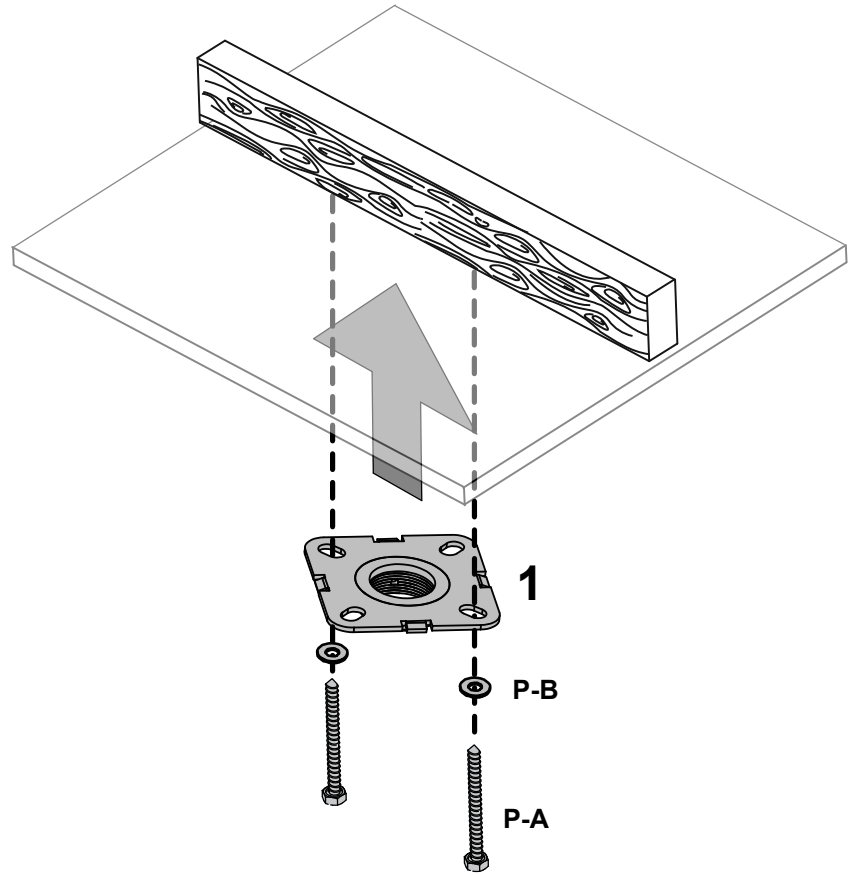
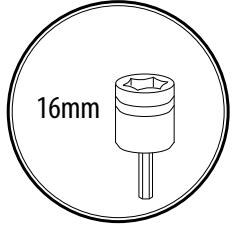
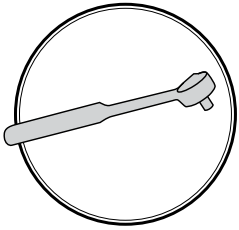


205 Westwood Ave, Long Branch, NJ 07740
Phone: 866-94 BOARDS (26273) / (732)-222-1511
Fax: (732)-222-7088 | E-mail: sales@touchboards.com

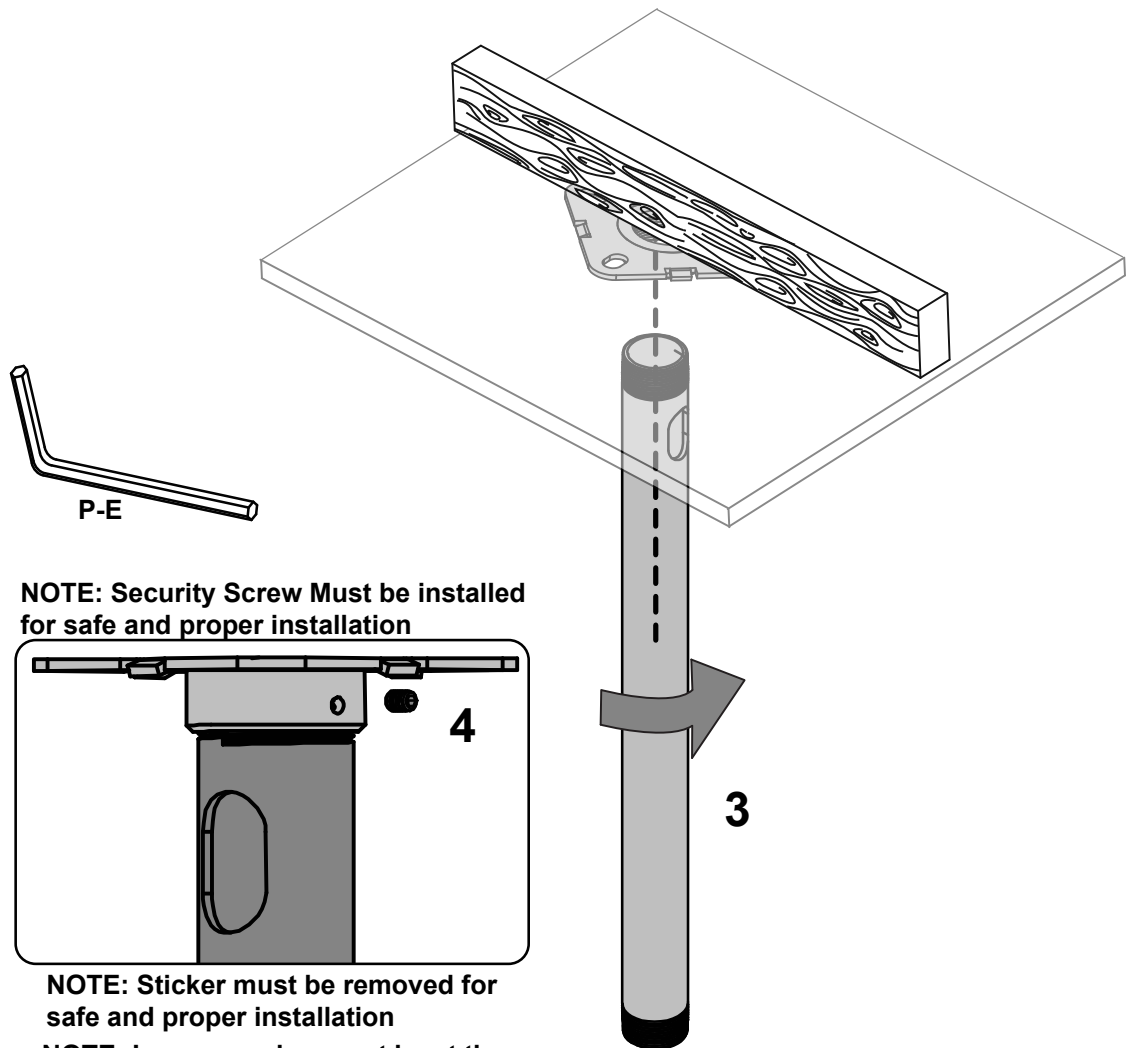
3 Drill pilot hole



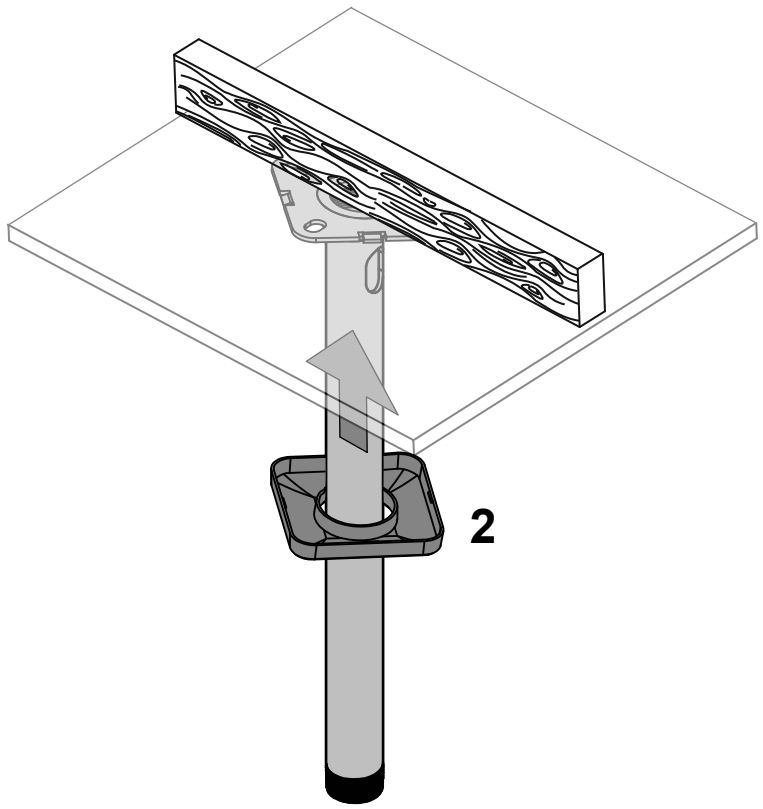
4 Mount ceiling plate



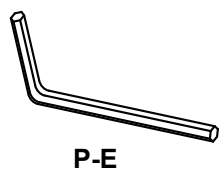
5 Assemble



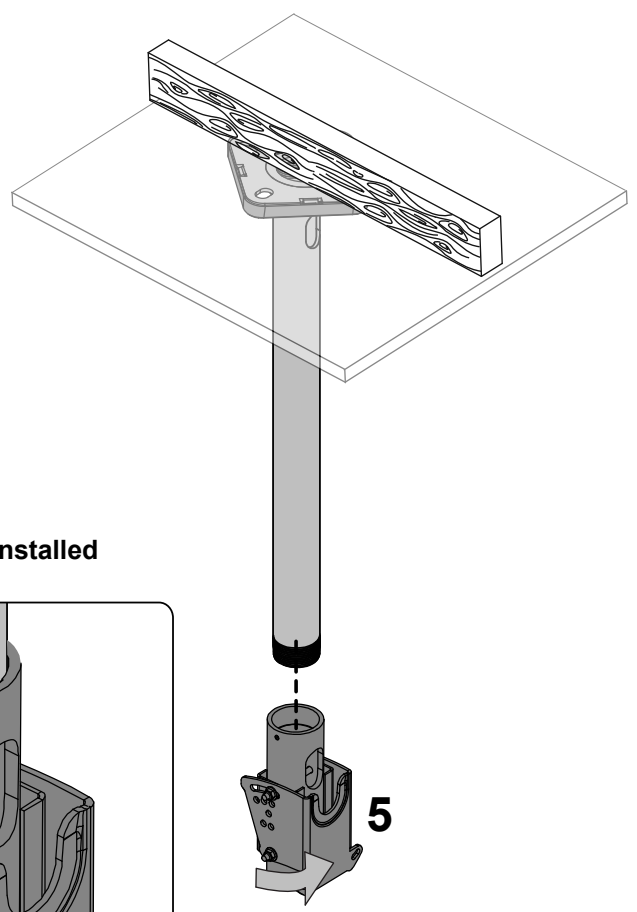
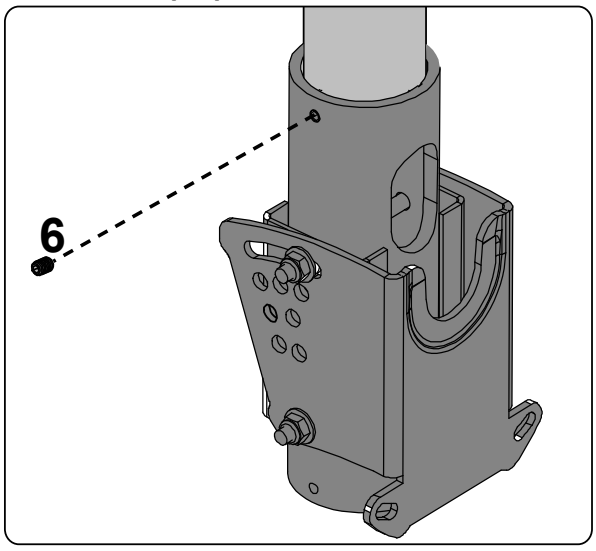
6 Attach cover



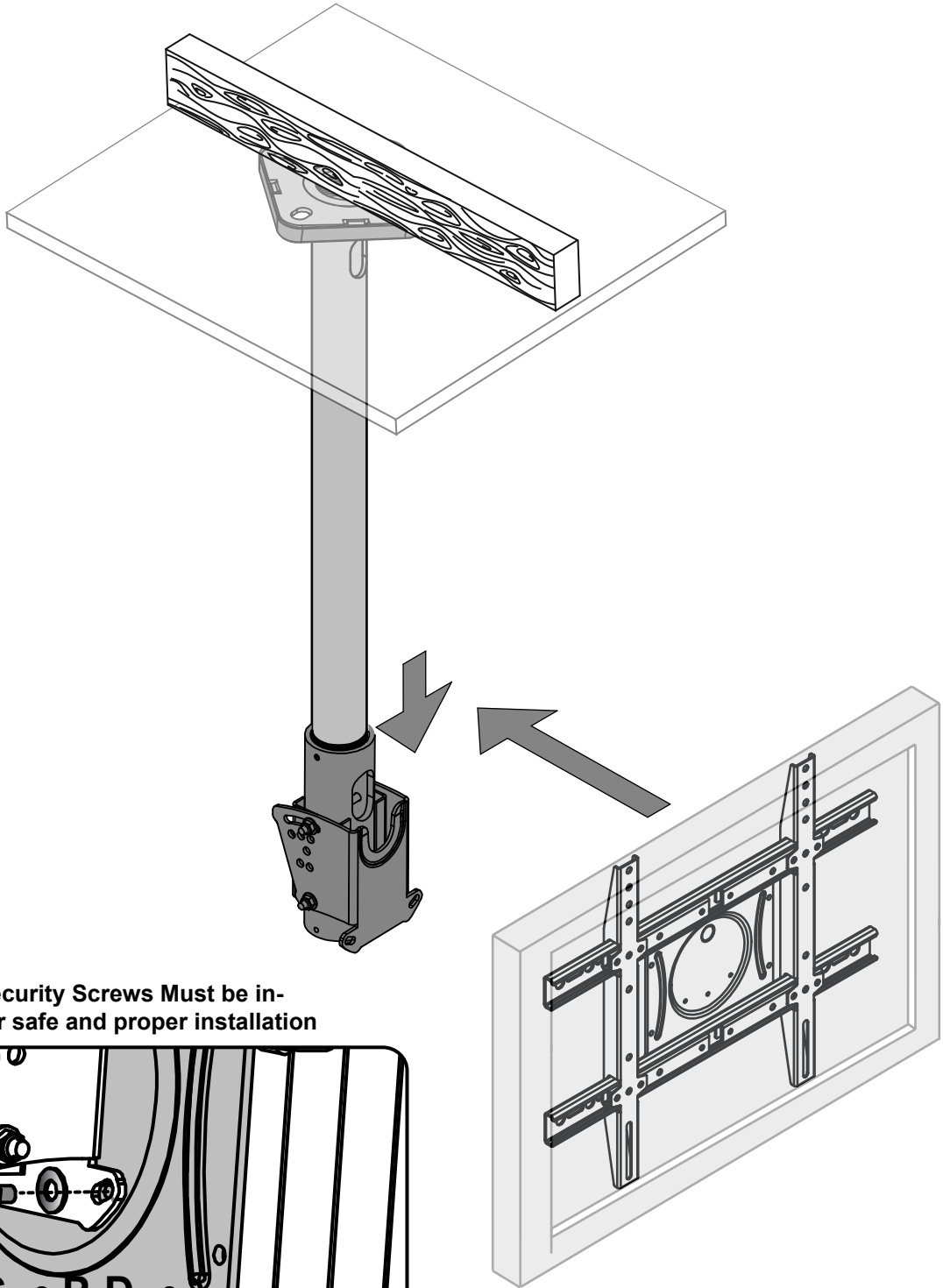
7 Assemble



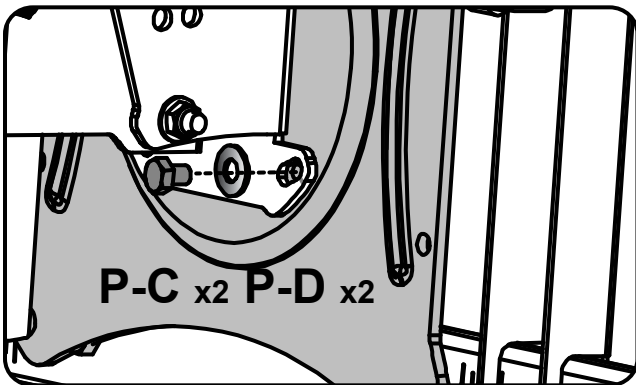
NOTE: Security Screw Must be installed for safe and proper installation



8 Hang with monitor attached



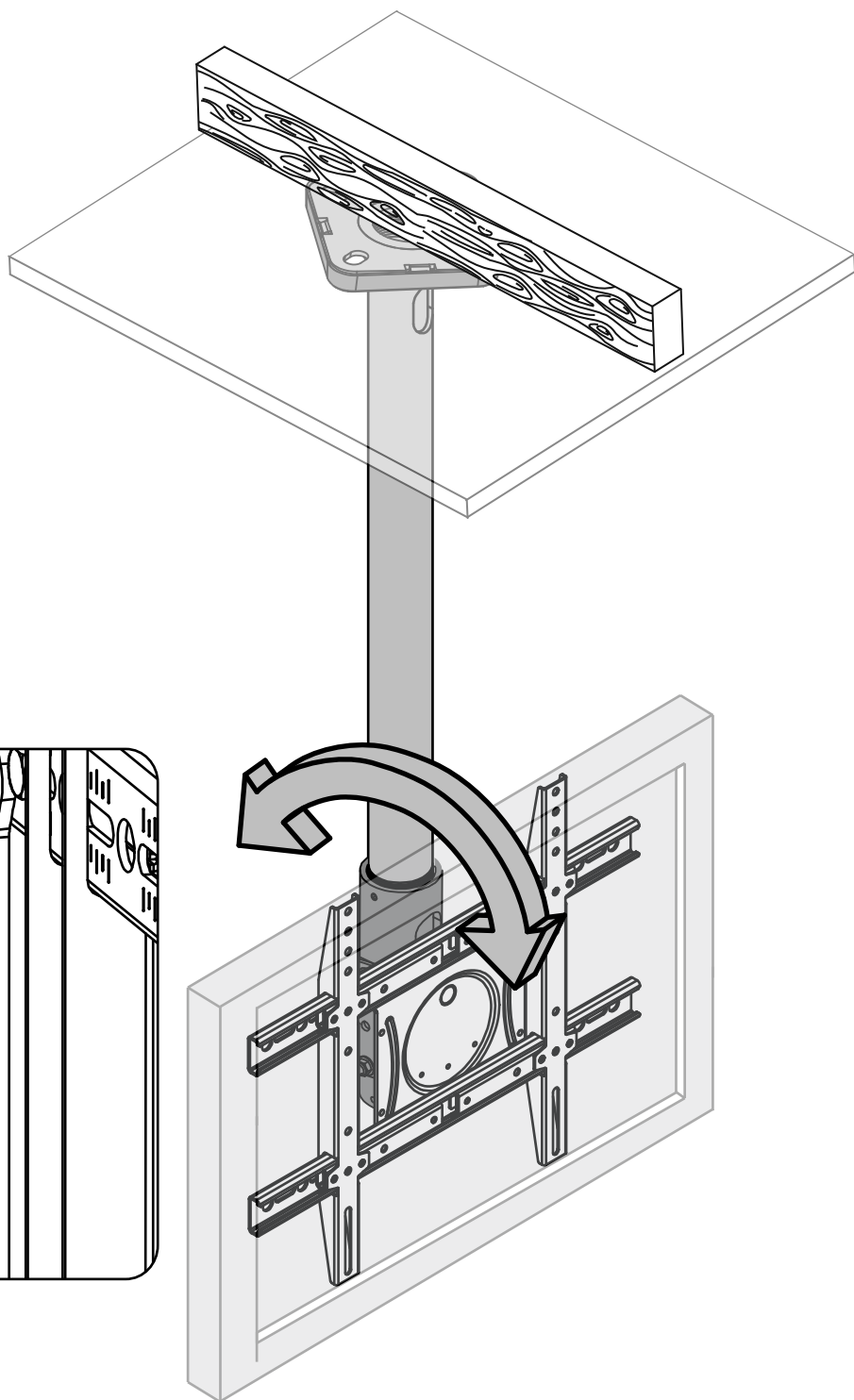
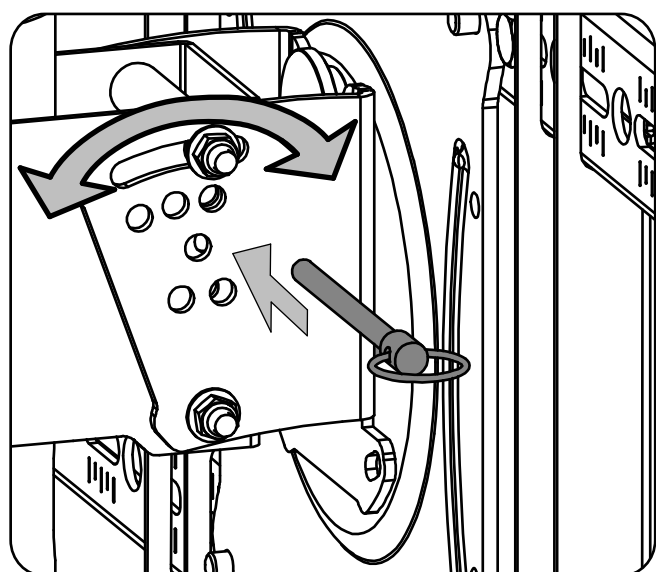
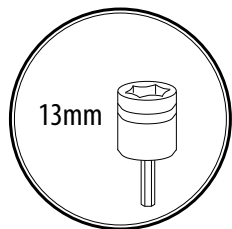
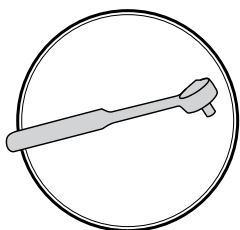
NOTE: Security Screws Must be installed for safe and proper installation



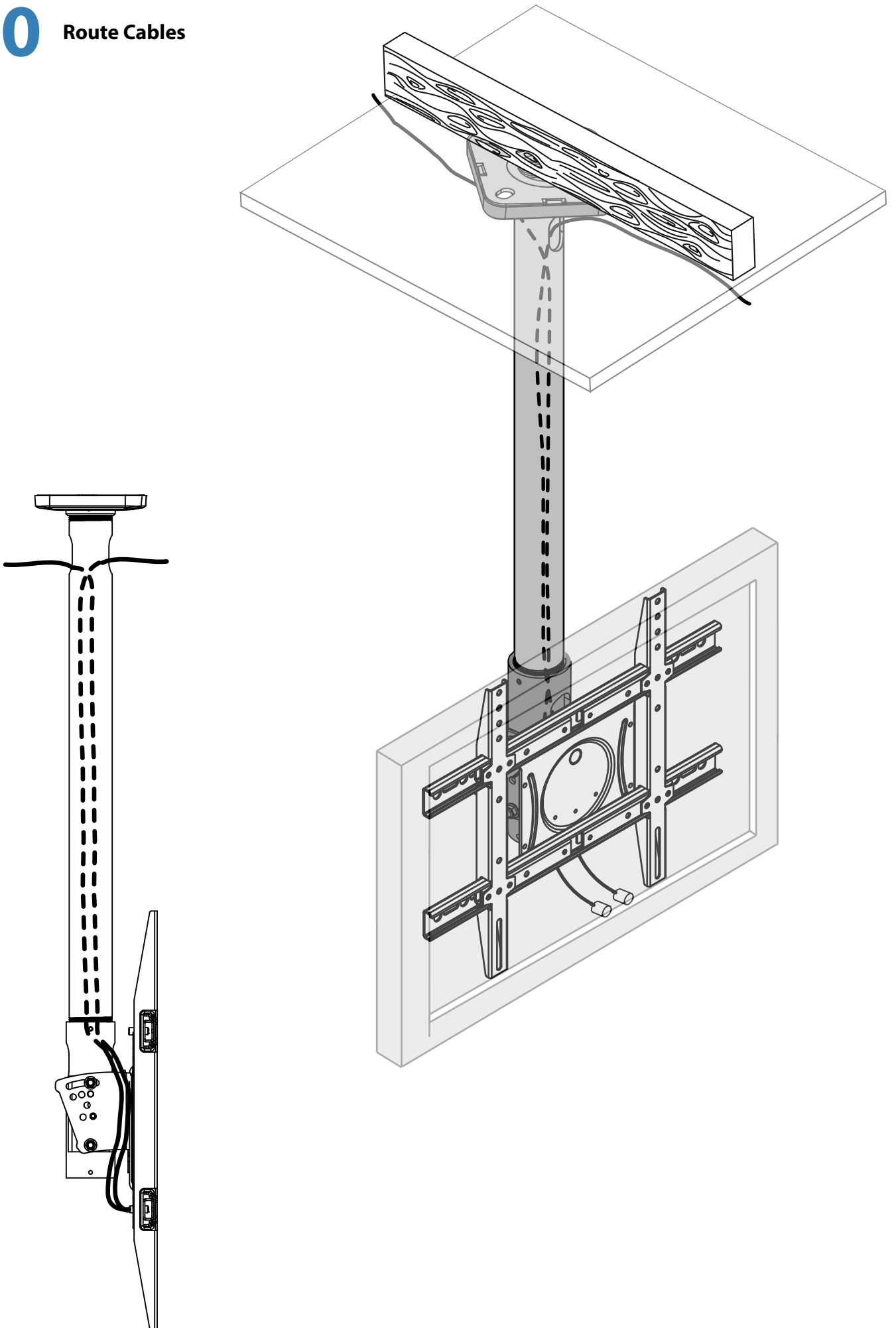
NOTE: Sticker must be removed for safe and proper installation
NOTE: Two people are needed to hang the TV.

Adjustment Step

9 Adjust to Desired Location or Tilt



10 Route Cables



Touchboards

205 Westwood Ave, Long Branch, NJ 07740
 Phone: 866-94 BOARDS (26273) / (732)-222-1511
 Fax: (732)-222-7088 | E-mail: sales@touchboards.com



© 2013 Ergotron, Inc.
 All rights reserved.

While Ergotron, Inc. makes every effort to provide accurate and complete information on the installation and use of its products, it will not be held liable for any editorial errors or omissions (including those made in the process of translation from English to another language), or for incidental, special or consequential damages of any nature resulting from furnishing this instruction and performance of equipment in connection with this instruction. Ergotron, Inc. reserves the right to make changes in the product design and/or product documentation without notification to its users. For the most current product information, or to know if this document is available in languages other than those herein, please contact Ergotron. No part of this publication may be reproduced, stored in a retrieval system, or transmitted in any form or by any means, electronic, mechanical, photocopying, recording or otherwise without the prior written consent of Ergotron, Inc., 1181 Trapp Road, Eagan, Minnesota, 55121, USA. Patents Pending and Patented U.S. & Foreign. Ergotron is a registered trademark of Ergotron, Inc.

Americas Sales and Corporate Headquarters

St. Paul, MN USA
 (800) 888-8458
 +1-651-681-7600
 www.ergotron.com
 sales@ergotron.com

EMEA Sales

Amersfoort, The Netherlands
 +31 33 45 45 600
 www.ergotron.com
 info.eu@ergotron.com

APAC Sales

Tokyo, Japan
 www.ergotron.com
 apaccustomerservice@ergotron.com

Worldwide OEM Sales

www.ergotron.com
 info.oem@ergotron.com