

Touchboards

205 Westwood Ave, Long Branch, NJ 07740
Phone: 866-94 BOARDS (26273) / (732)-222-1511
Fax: (732)-222-7088 | E-mail: sales@touchboards.com

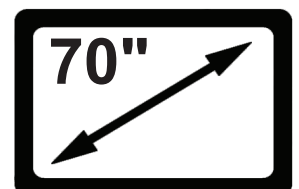
User's Guide
Guía del usuario
Manuel de l'utilisateur
Benutzerhandbuch
Gebruikersgids
Guida per l'utente
Användarguide
ユーザーガイド
用戶指南
사용자 안내서



CAUTION!
MAXIMUM WEIGHT CAPACITY



CAUTION!
MAXIMUM SCREEN SIZE





Screws / Hardware for Flat Panel

Part #	Qty	Description
M-A	4	Philips screws M4 x 15mm
M-B	4	Philips screws M4 x 30mm
M-C	4	Philips screws M5 x 15mm
M-D	4	Philips screws M5 x 30mm
M-E	4	Philips screws M6 x 15mm
M-F	4	Philips screws M6 x 30mm
M-G	4	Philips screws M8 x 15mm
M-H	4	Philips screws M8 x 30mm
M-I	4	Round Spacers: M6-M8 x 5mm
M-J	4	Round Spacers: M6-M8 x 10mm
M-K	4	Round Washers: M4-M5
M-L	4	Round Washers: M6-M8

Wall Kit

Part #	Qty	Description
W-A	4	Lag Bolts (8mm x 80mm)
W-B	4	Wall Anchor (10mm OD x 8mm ID)
W-C	4	1/4-20 x 1-1/2" Hex Socket Screws

Specialty Hardware

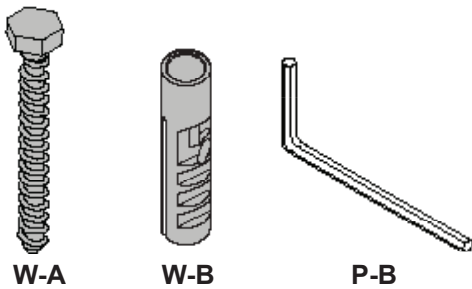
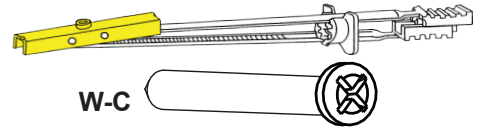
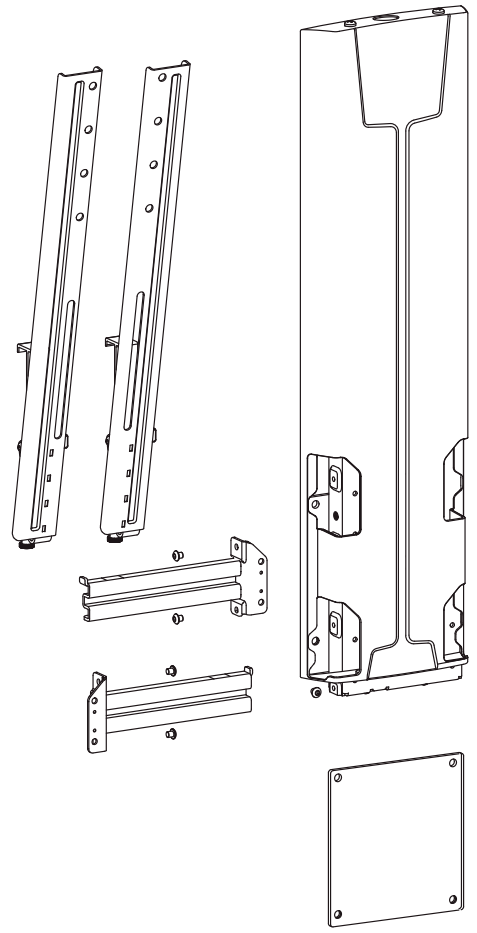
Part #	Qty	Description
P-A	16	Button Head Screw M6X6mm
P-B	1	4mm Allen Wrench
P-C	2	Knob Screws M4x0.7"

Cable Management/Hollow Wall

Description
Cable Clips
Cable Tubing
Cable Ties
Snap Toggles

Contents

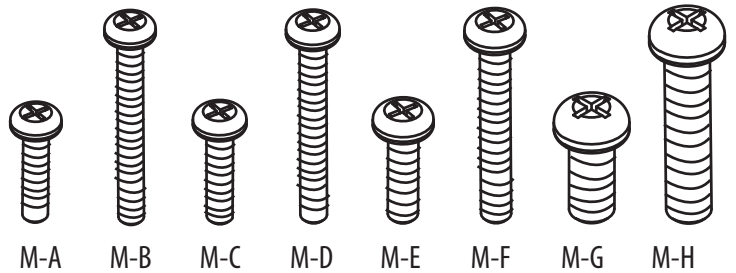
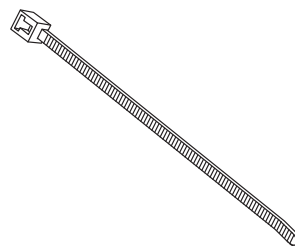
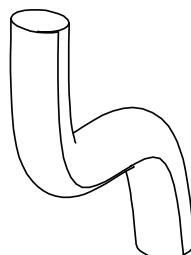
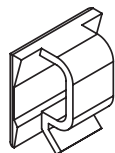
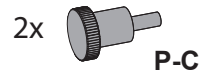
Part #	Qty	Description
1	2	Vertical Rails
2	4	Horizontal Rails
3	2	Tilt Tension Knob
4	1	Lift Assembly
5	1	Wall Template



W-A

W-B

P-B



M-A

M-B

M-C

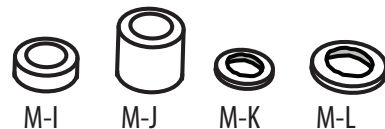
M-D

M-E

M-F

M-G

M-H



M-I

M-J

M-K

M-L

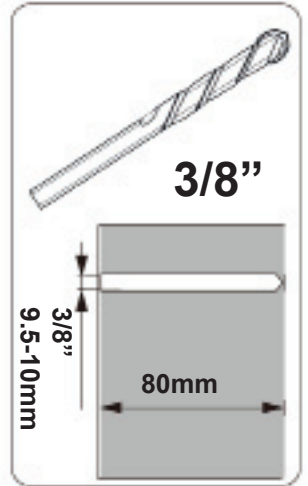
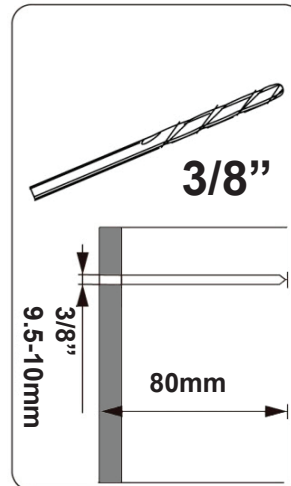
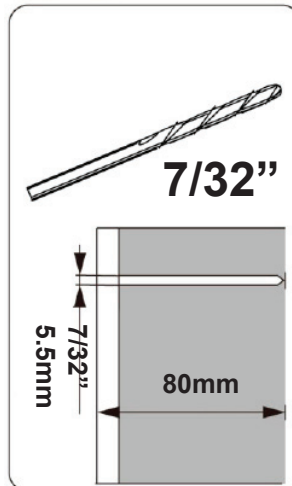
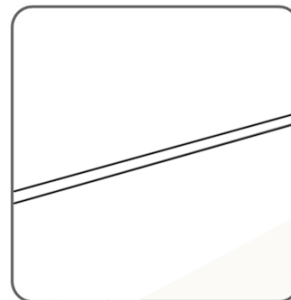
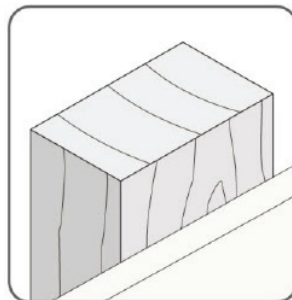
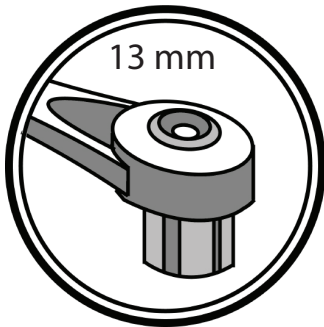
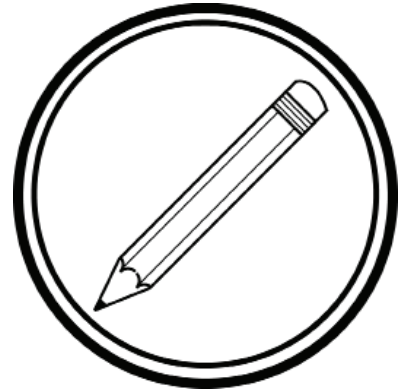
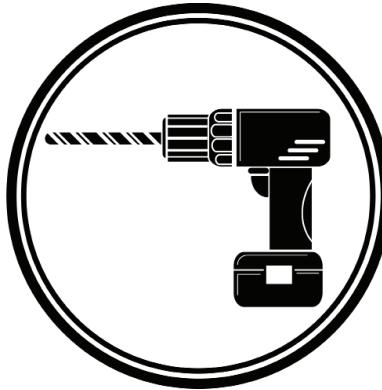
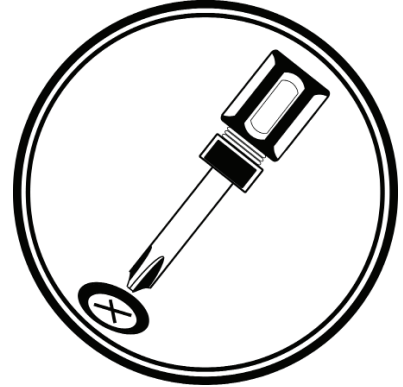
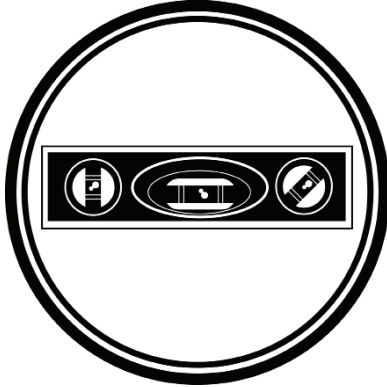
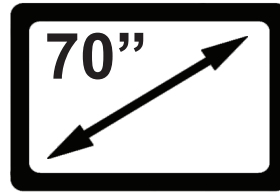
TOOLS NEEDED

Tools Needed
 Herramientas necesarias
 Outils requis
 Benötigte Werkzeuge
 Benodigde gereedschappen
 Strumenti necessari
 Potrzebne narzędzia
 Potřebné nástroje
 Szükséges eszközök
 Απαιτούμενα εργαλεία
 Ferramentas necessàrias
 Nødvendigt værktøj
 Tarvittavat työkalut
 Verktøy som krævs
 Instrumente necesare
 Необходими уреди
 Vajalikud tööriistad
 Nepieciešamie rīki
 Reikalingi įrankiai
 Potrebno orodje
 Potrebno náradie
 Необходимые инструменты
 Gereklí Aletler
 Nødvendige verktøy
 كتر اللها تار دالا
 需要的工具
 必要なツール

CAUTION!
 MAXIMUM WEIGHT CAPACITY



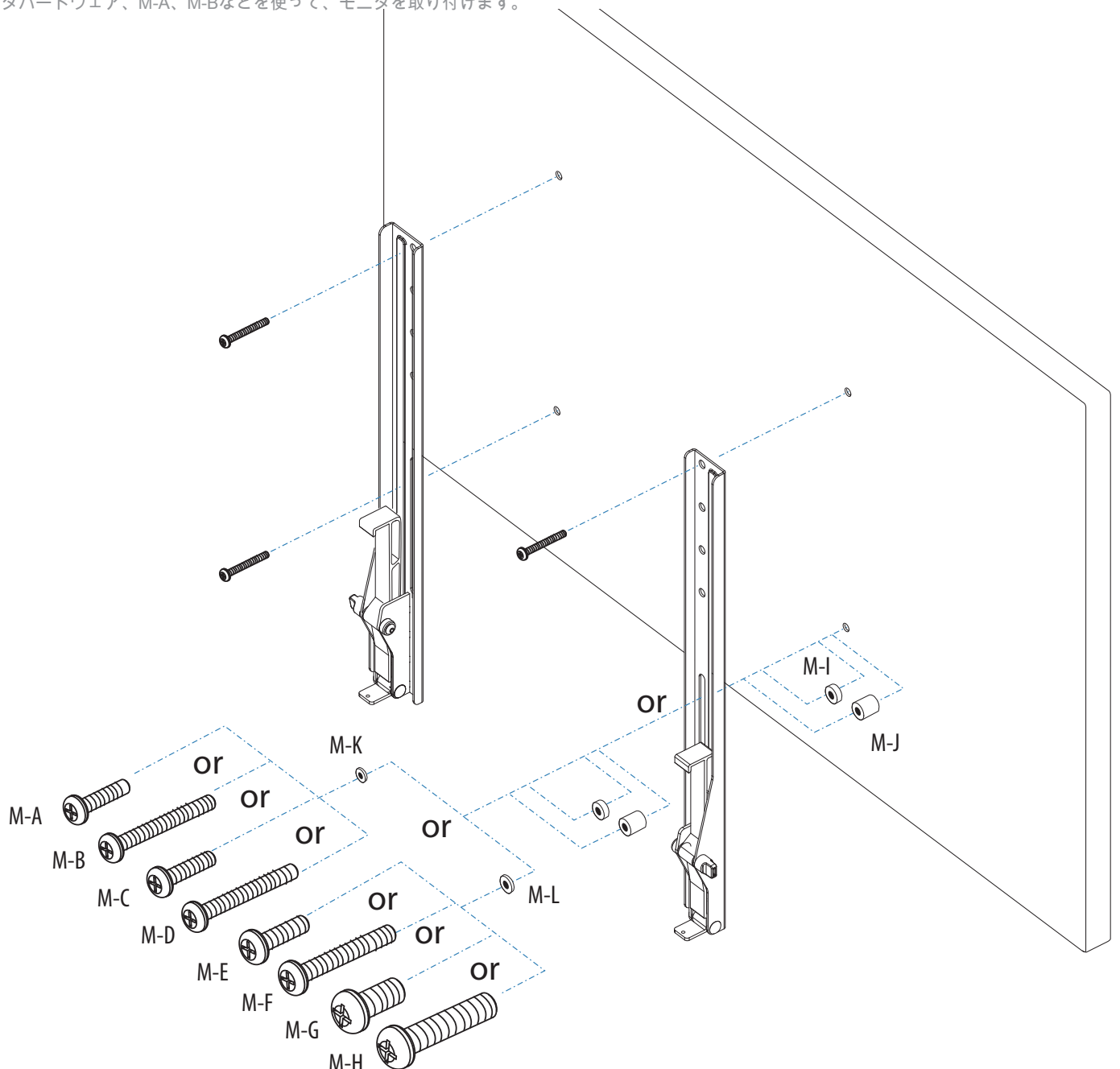
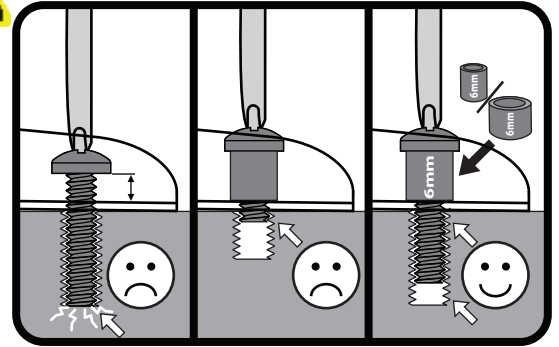
CAUTION!
 MAXIMUM SCREEN SIZE



Attach Vertical Rails to your TV

Attach monitor using monitor hardware, M-A, M-B, etc...

Coloque la pantalla utilizando los materiales de instalación de la pantalla, M-A, M-B, etc...
 Installer le moniteur avec les fixations de moniteur, M-A, M-B, etc...
 Bringen Sie den Bildschirm mit den Bildschirm-Befestigungsteilen M-A, M-B usw. an.
 Bevestig monitor via monitor hardware, M-A, M-B, enz...
 Fissare il monitor utilizzando i componenti di montaggio, M-A, M-B, ecc...
 Zamontuj monitor, używając narzędzi dołączonych do monitora, M-A, M-B, itp...
 Pripěvněte monitor pomocí k tomu určených dílů, M-A, M-B, apod.
 Szerelje fel a monitort az M-A, M-B stb. monitorszerelvényekkel...
 Τοποθετήστε την οθόνη με το υλικό οθόνης, M-A, M-B, κ.λπ...
 Prender o monitor utilizando o equipamento do monitor, M-A, M-B, etc...
 Pásæt skærm ved hjælp af skærm-hardware, M-A, M-B osv...
 Kiinnitä näyttö käyttämällä näyttön osia, M-A, M-B jne.
 Fäst bildskärm genom att använda bildskärms hårdvara, M-A, M-B, etc...
 Ataşağı monitorul utilizând structura hardware pentru monitor, M-A, M-B etc...
 Прикачете монитора, като използвате хардуер за монитор, M-A, M-B и др...
 Kinnitage ekraani ekraani paigaldusosade abil, M-A, M-B jne...
 Piestipriniet monitoru, izmantojot monitora detaļas, M-A, M-B utt.
 Pritvirtinti monitorių naudojant monitoriaus aparatūrą, M-A, M-B ir t.t.
 Pritrdite monitor s pomočjo kovinskih delov za monitor, M-A, M-B itd...
 Pripěvnite obrazovku pomocou na to určených dielov, M-A, M-B atd.
 Прикрепите монитор с помощью крепежа для монитора, M-A, M-B, и т. д.
 Monitor donanımı, M-A, M-B vb. kullanarak monitörü takın...
 Fest skjermen med skjermdelelene M-A, M-B etc...
 باقارملا تامازلستسم مادختساب باقارملا طبراً، M-A، M-B، خا.
 使用显示器硬件 M-A、M-B 等联接显示器
 モニタハードウェア、M-A、M-Bなどを使って、モニタを取り付けます。



Determine Mounting Height



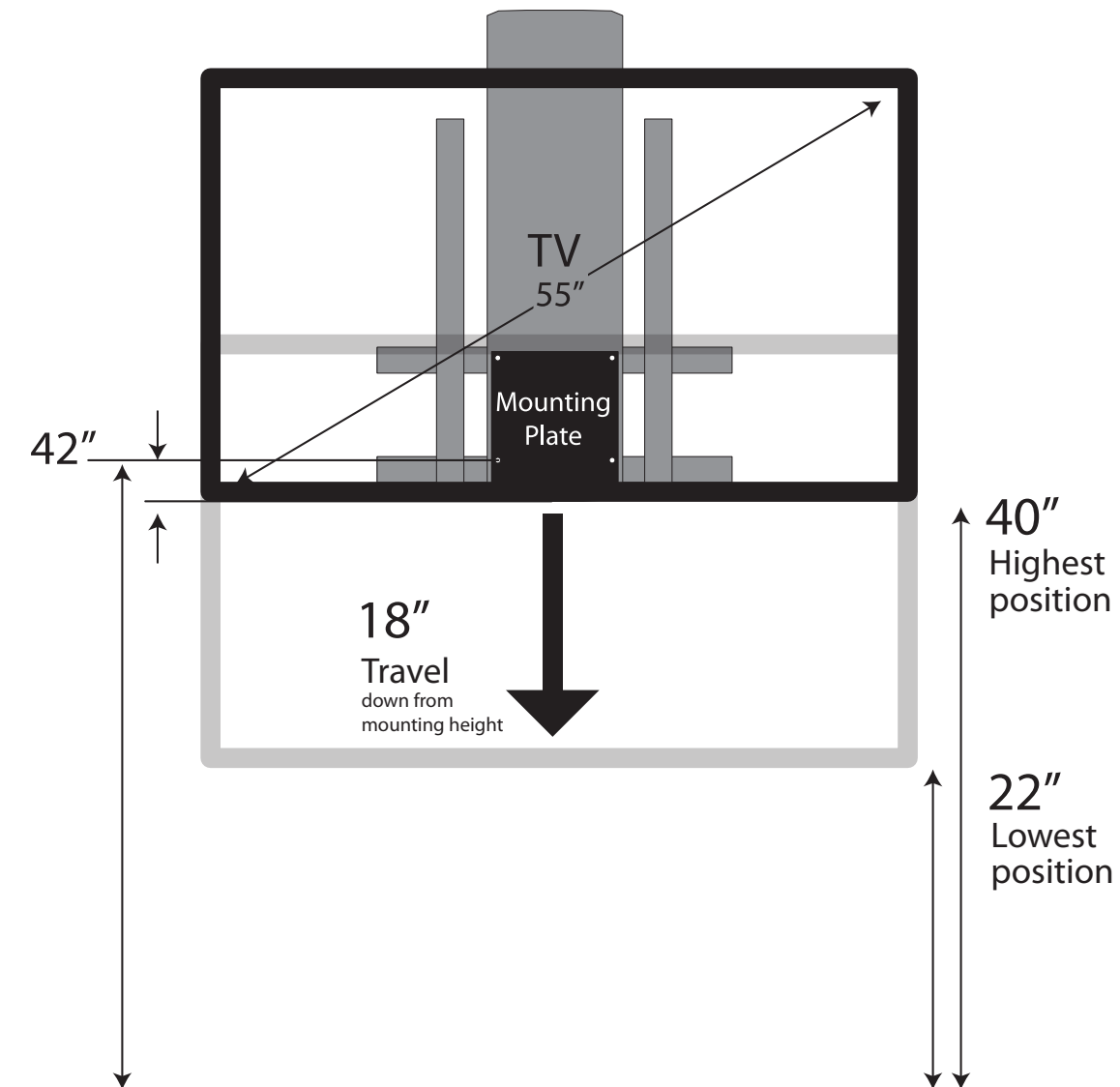
CAUTION: Before proceeding with this installation consult your TV product guide for manufacturer recommendations on choosing a mounting location that will ensure optimum TV performance. Location considerations might include: TV height and viewing angle - based on height and distance of seating, room dimensions and size of TV; access to power outlets; cable connections for speakers and other devices; protection from glare and heat, (windows, lamps, fireplace, air ducts) and vibration.

Please take into account that this product is being installed in it's highest position. Your TV will only be able to be lowered from it's installed position.

Due to the wide variety of flat screen televisions and interior design options, it is difficult to predict what your TV configuration will be. However, as a general guideline attach the mounting plate(bottom holes) 42" from floor for comfortable sit-stand viewing.

EXAMPLE: If mounting a 55" diagonal TV with centrally located VESA hole pattern, locate the lowest set of mounting plate holes 42" from floor.

You can modify the mounting height according to your TV size, VESA location TV and personal preference. For more information, please contact Ergotron Customer Care at 800-888-8458, www.ergotron.com

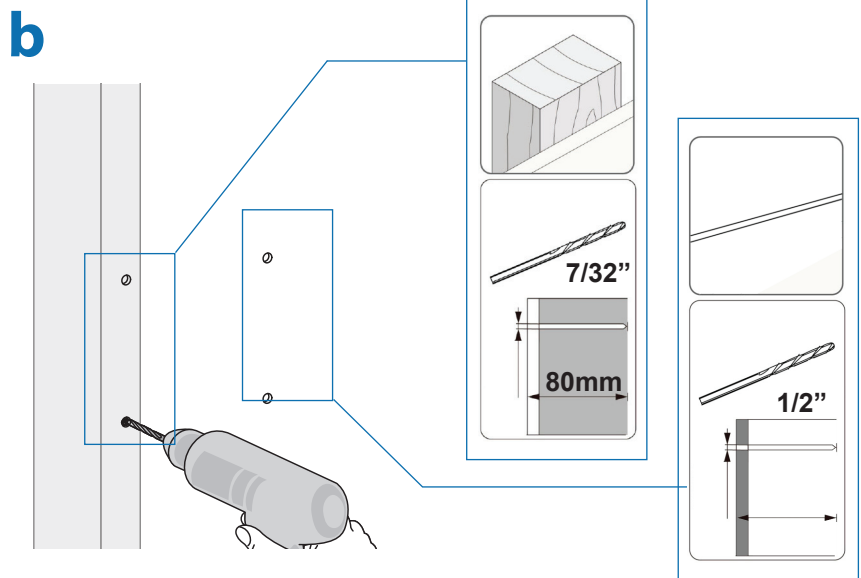
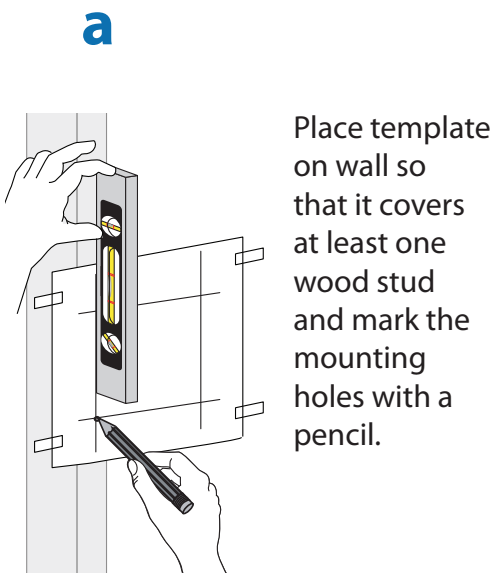


Wood Stud Mount

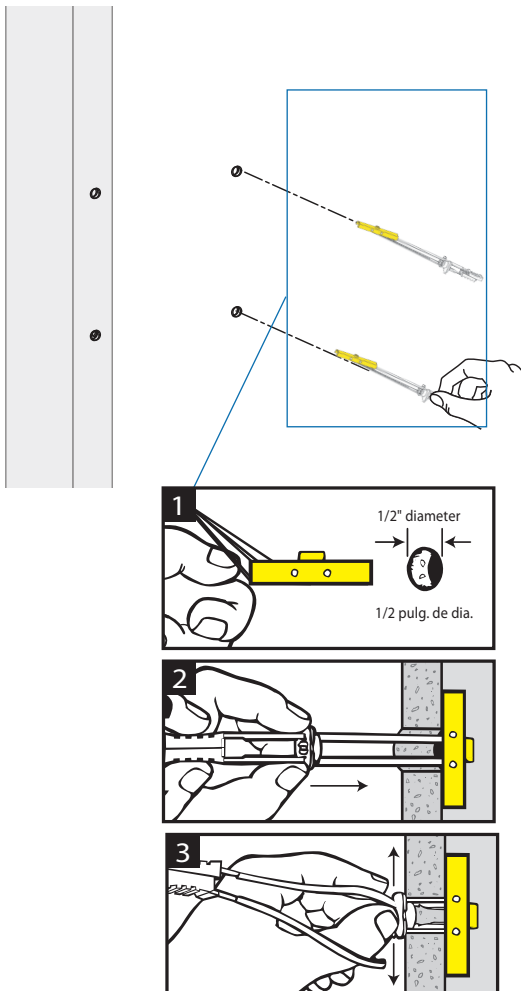


CAUTION: Before mounting, read "Determine Mounting Height" Instructions on page 5!

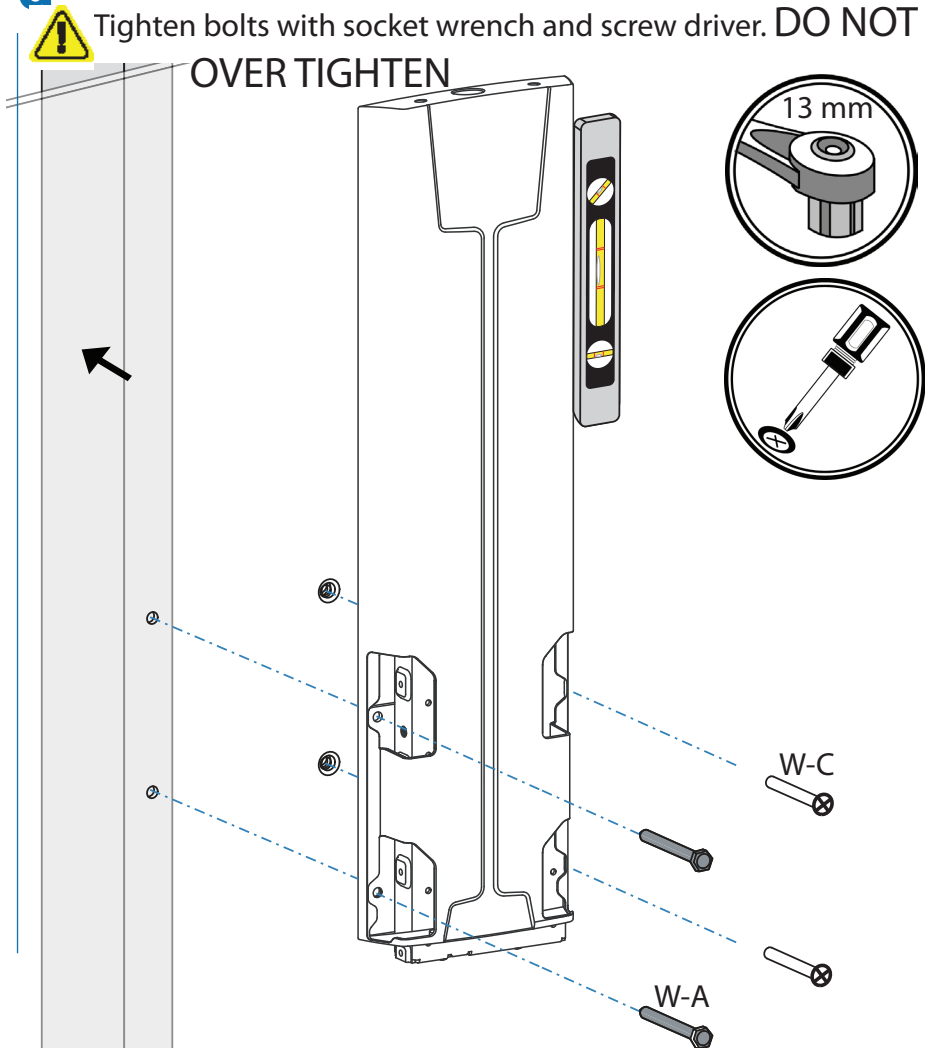
Drill 4 holes: 2 at stud and 2 at solid wall using appropriate bits.



c Insert wall anchors into wall (not wood stud).



d Attach lift assembly to wall using 1/4-20 screws and lag bolts. Tighten bolts with socket wrench and screw driver. **DO NOT OVER TIGHTEN**

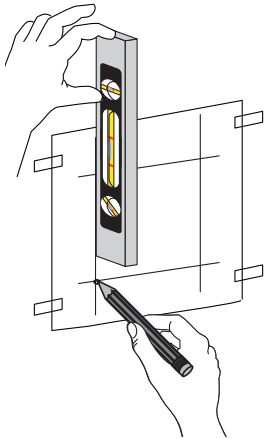


Drywall Mount



WARNING: This product should only be mounted to Drywall that is $>5/8"$ (16mm) thick. **DO NOT** mount this product to $<1/2"$ (13mm) thick Drywall. Failure to follow this warning will result in an unstable attachment and may cause equipment damage or personal injury.

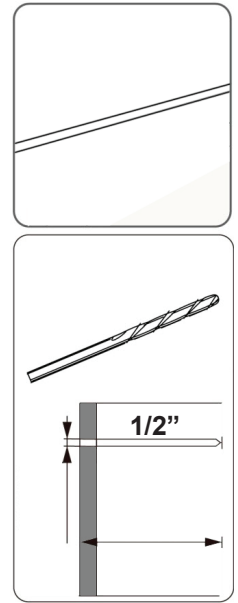
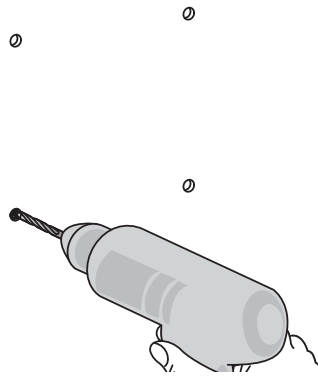
a



b

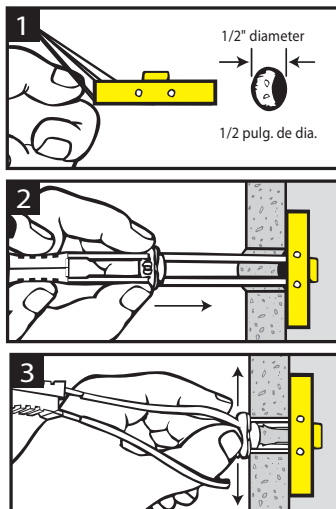
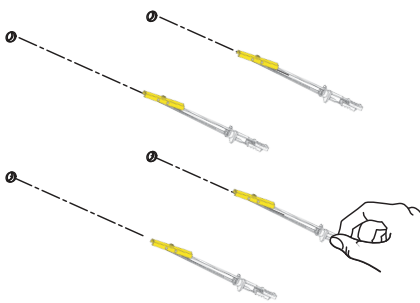
Touchboards

205 Westwood Ave, Long Branch, NJ 07740
 Phone: 866-94 BOARDS (26273) / (732)-222-1511
 Fax: (732)-222-7088 | E-mail: sales@touchboards.com



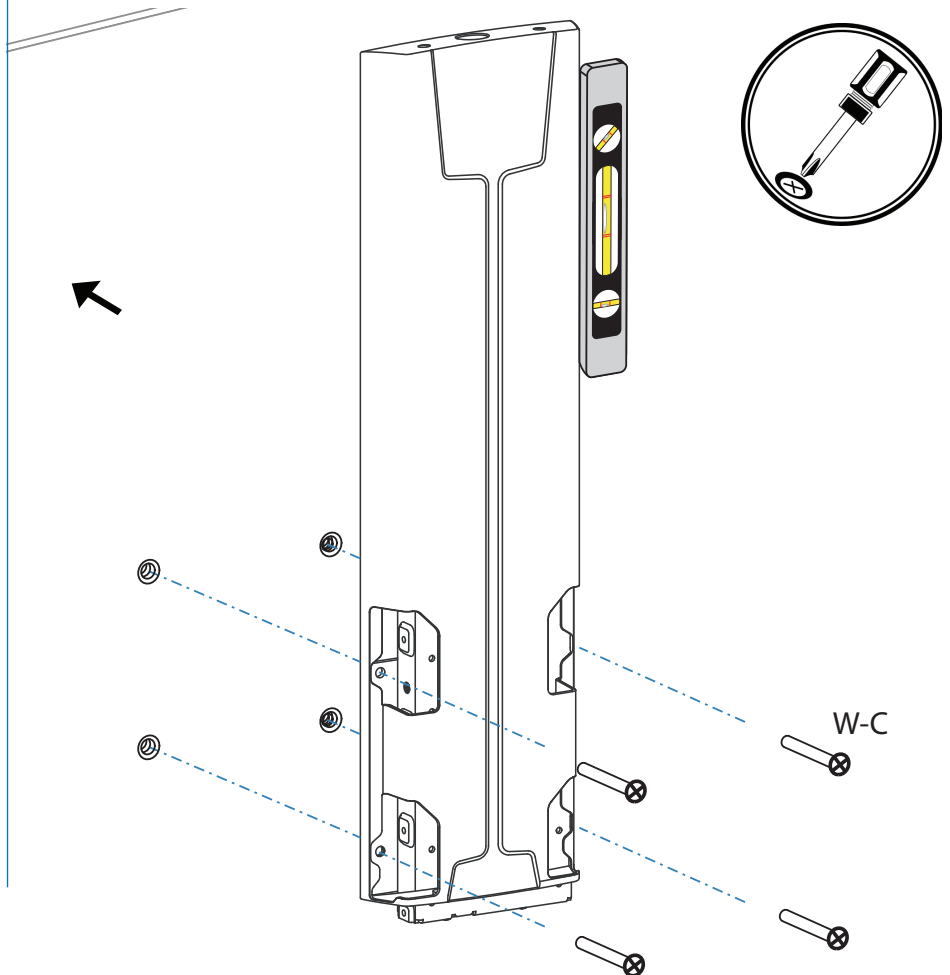
c

Insert wall anchors into wall (not wood stud).



d

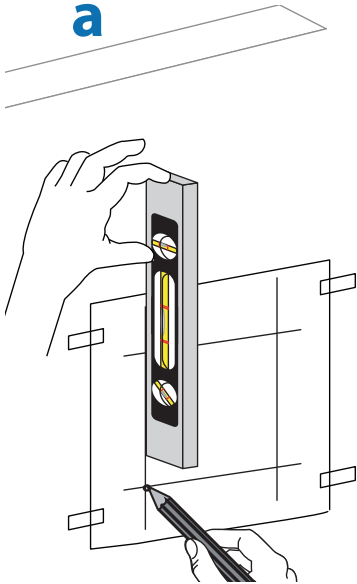
Attach lift assembly to wall using 1/4-20 screws. Tighten screws with a screwdriver. **DO NOT OVER TIGHTEN**



Determine Mounting Height

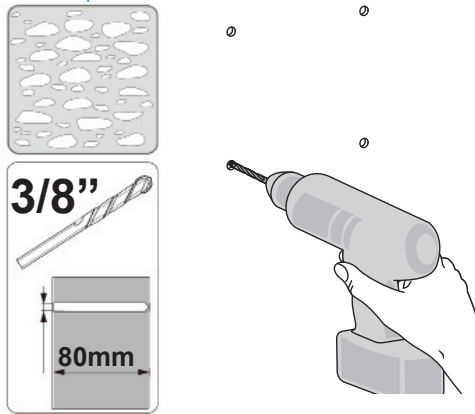


CAUTION: Before proceeding with this installation consult your TV product guide for manufacturer recommendations on choosing a mounting location that will ensure optimum TV performance. Location considerations might include: TV height and viewing angle - based on height and distance of seating, room dimensions and size of TV; access to power outlets; cable connections for speakers and other devices; protection from glare and heat, (windows, lamps, fireplace, air ducts) and vibration. Please take into account that this product is being installed in it's highest position. Your TV will only be able to be lowered from it's installed position.

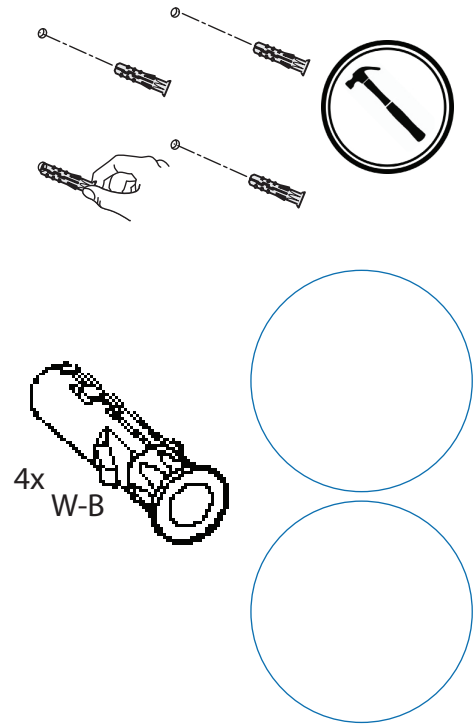


a Place template on wall and mark the mounting holes with a pencil.

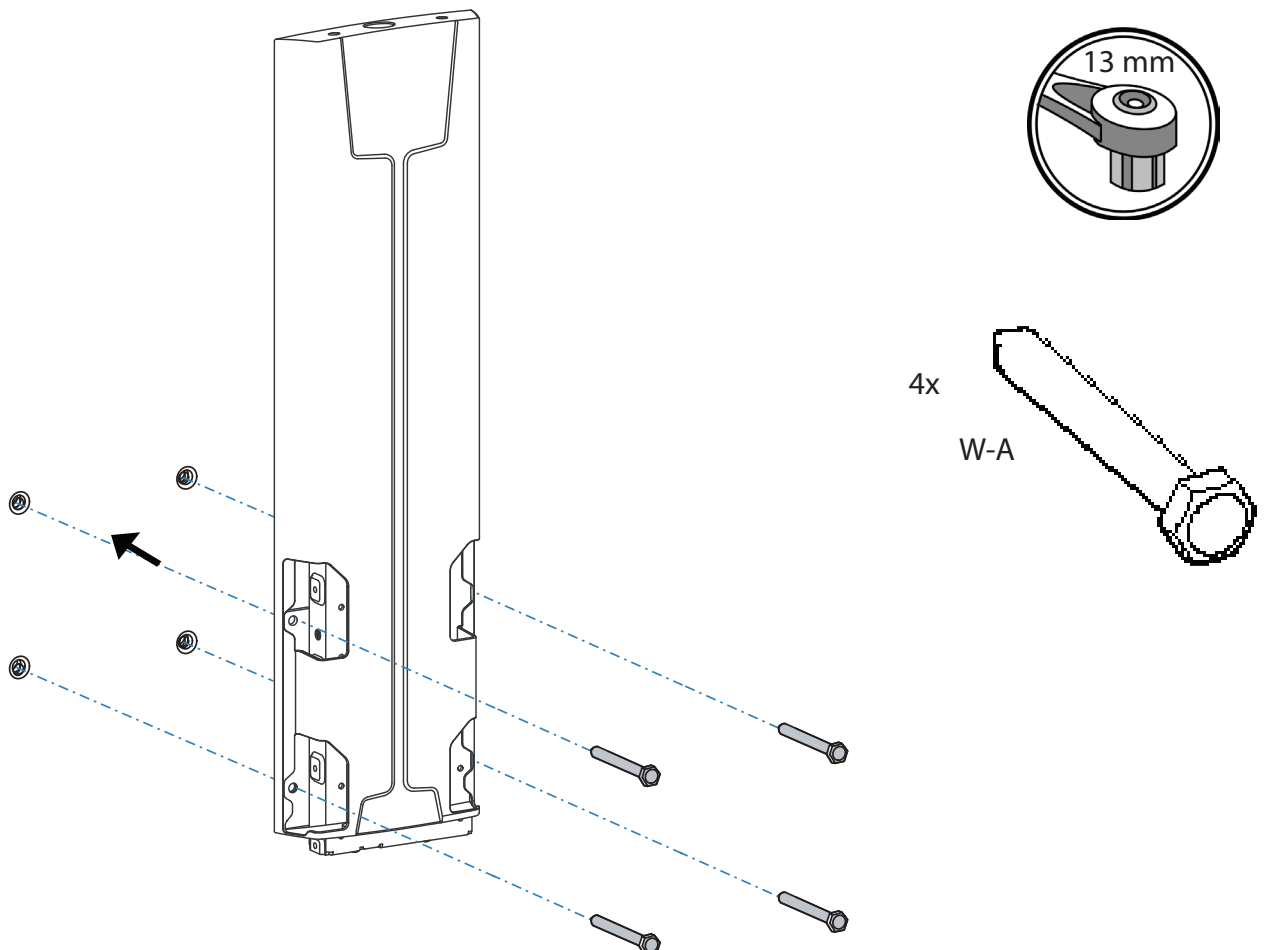
b Drill 4 holes.



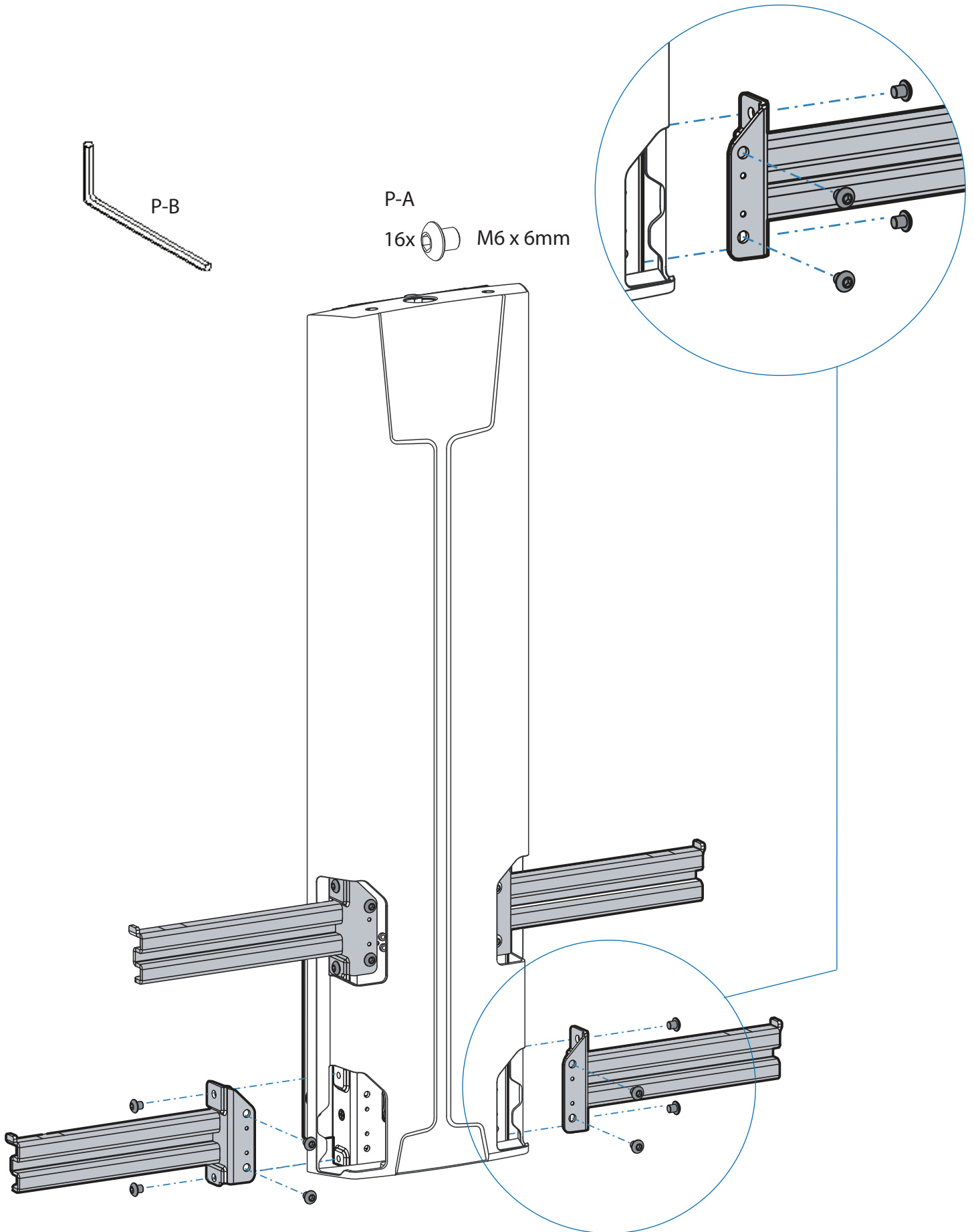
c Insert wall anchors into wall.



d Attach lift assembly to wall using lag bolts. Tighten bolts with socket wrench. **! DO NOT OVER TIGHTEN**



Attach Horizontal Rails to Lift Assembly



Hang the TV on the Lift Assembly

Hang with monitor attached

Cuelgue con el monitor adherido.

Accrochez avec le moniteur installé.

Mit dem befestigten Monitor aufhängen.

Hang op terwijl de monitor is bevestigd.

Appendere con lo schermo attaccato.

Powiesz z przymocowanym monitorem.

Zavěste s připevněným monitorem.

Függessze fel a monitorral együtt.

Κρεμάστε με την οθόνη προσαρτημένη

Supporte com monitor preso

Hæng op med skærm påsat

Ripusta näyttö kiinnitetynä

Häng med bildskärm fastsatt

Agățați cu monitorul atașat

Закачи с монитора прикрепен

Riputage koos kinnitatud ekraaniga

Piekārt ar pievienoto monitoru

Pakabinti su pritvirtintu monitoriumi

Obesite s pritřenim monitorjem

Zaveste s pripivenou obrazovkou.

Навесьте с установленным монитором.

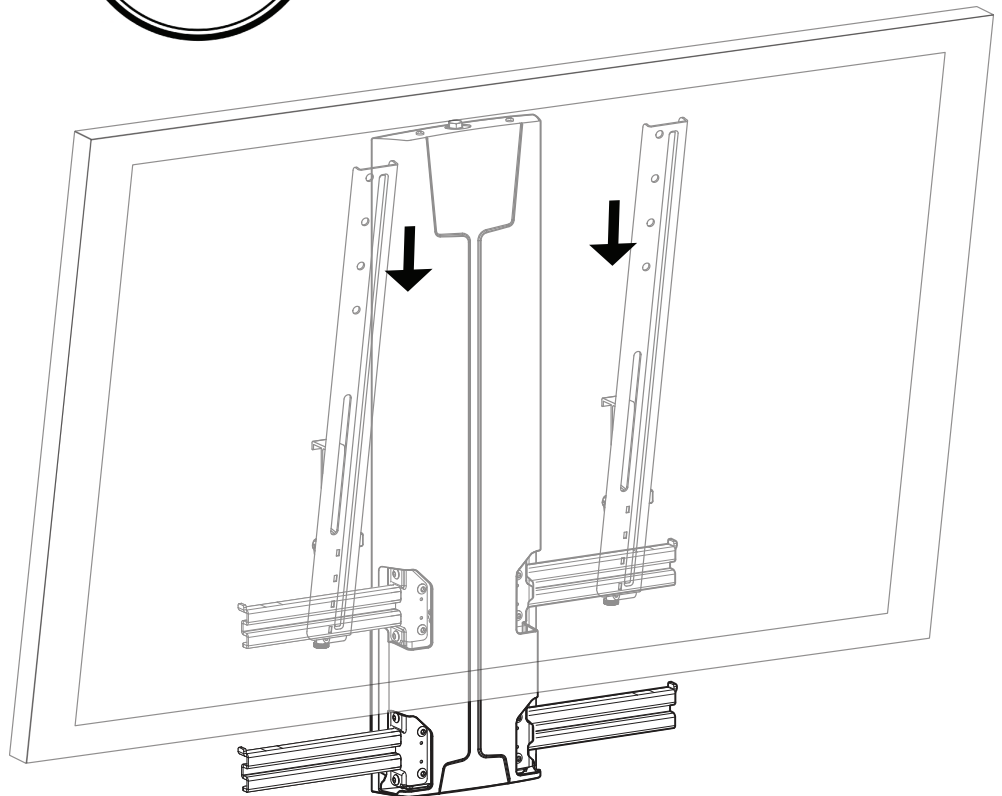
Takılı monitörle asın

Heng med skjermen festet

اطوېرم باقړم ل او قی لعتلاب دقې

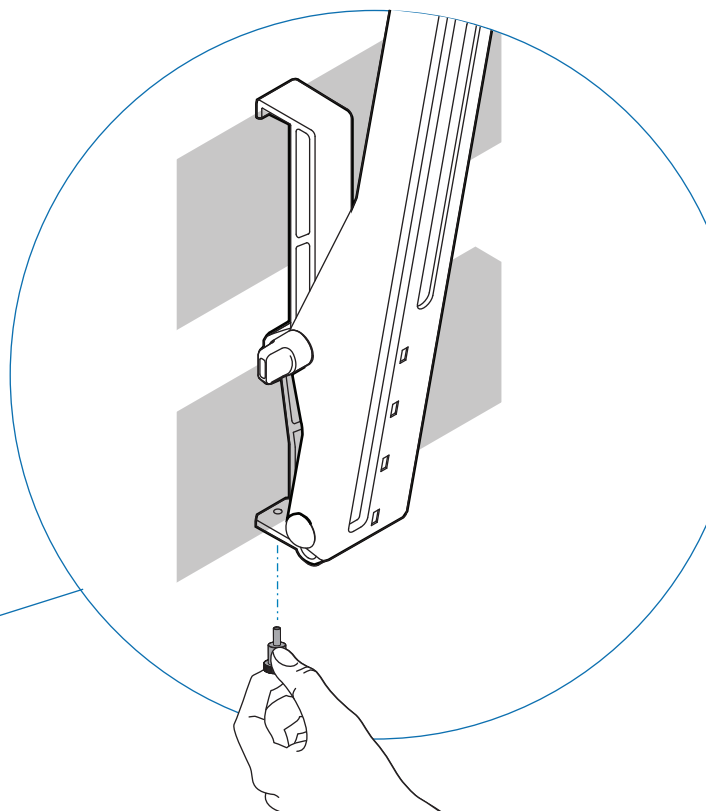
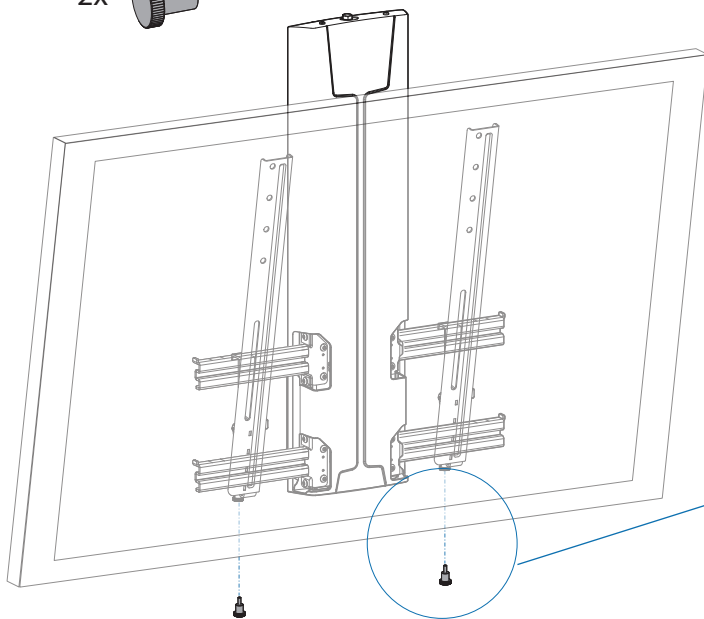
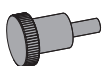
在显示器已联接的条件下悬挂

モニタを取り付けた状態で掛けます。



P-C

2x



NOTE: For safe and proper installation be sure to install the locking screw as shown.

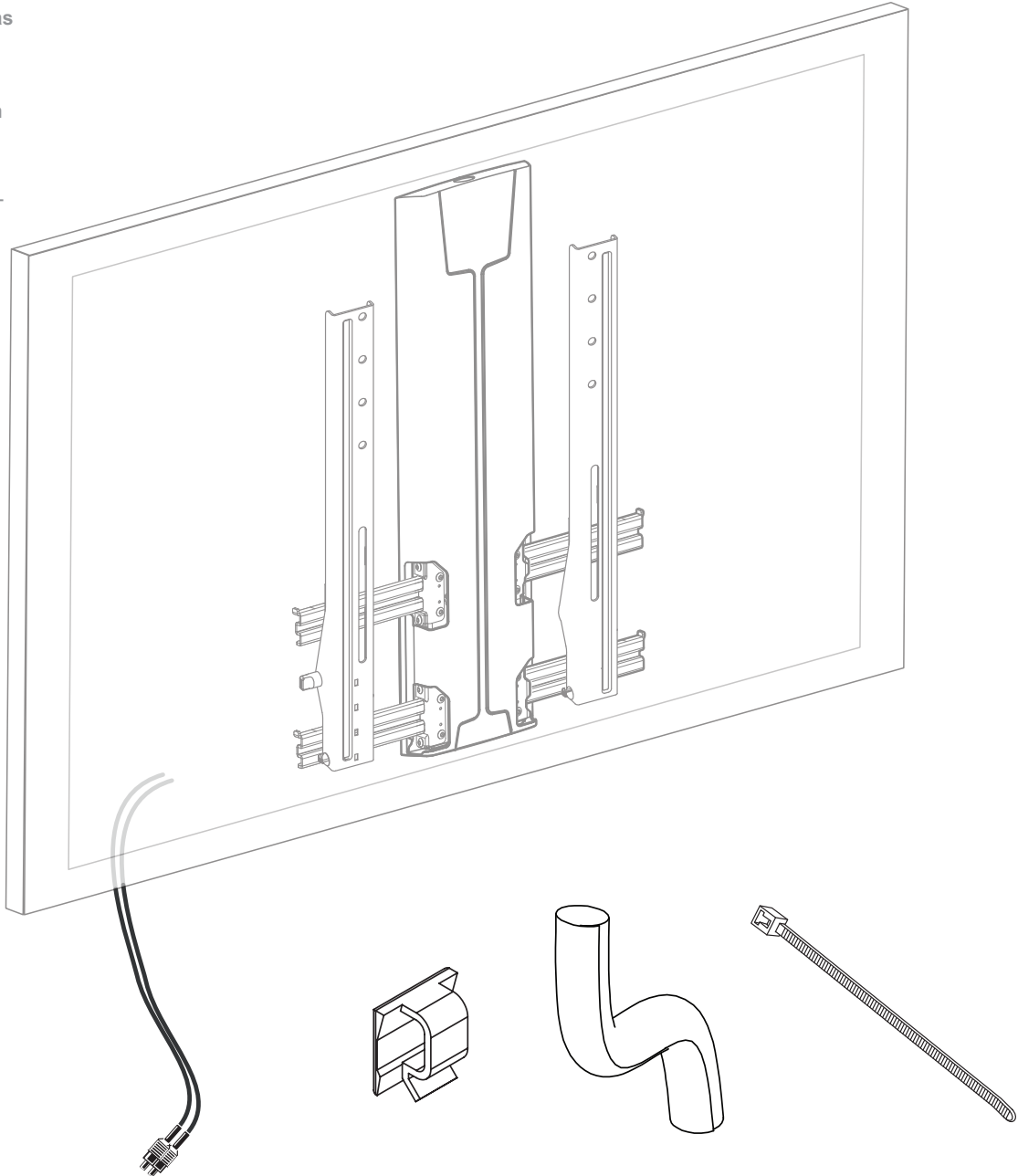
Route Cables

Route Cables

Tienda los cables
Installez les câbles
Verlegen Sie die Kabel
Plaats de kabels
Inserire i cavi
Poprowadź kable
Natáhněte kabely
Vezesse el a kábeleket.
Δρομολόγηση καλωδίων
Dispor os cabos
Føringskabler
Reititää kaapelit
Lägg kablar
Direcționați cablurile
Маршрутни кабели
Suunake kaablid oma kohale
Virzienu kabeļi
Kabelių išvedžiojimas
Napeljava kablov
Natiahnite káble
Укладка кабелей
Kabloları Düzenleyin
Før kablene
تالپئلا هي جوت
布线
ケーブルを配線します



Use the below items to appropriately route your power, hdmi, and AV cables. Be aware of pinch points when routing cables. To avoid possible cable damage, only use cable clips on the outside edge of the TV.





It is important that you adjust this product according to the weight of the mounted equipment as described in the following steps. Any time equipment is added or removed from this product, resulting in a change in the weight of the mounted load, you should repeat these adjustment steps to ensure safe and optimum operation. • Adjustments should move smoothly and easily through the full range of motion and stay where you set it. If adjustments are difficult and do not stay in the desired position, follow the instructions to loosen or tighten the tension to create a smooth, easy adjustment motion. Depending on your product and the adjustment, it may take several turns to notice a difference.

Es importante ajustar este producto conforme al peso del equipo montado, según se describe en los pasos siguientes. Cada vez que se agregue o quite equipo de este producto y cambie el peso de la carga montada, deberá repetir estos ajustes para garantizar un funcionamiento seguro y óptimo. • Los movimientos de ajuste deben poder realizarse de manera suave y firme dentro de la amplitud de movimiento permitida, y mantenerse donde usted los fije. Si los ajustes son abruptos o no permanecen en dicha posición, siga las instrucciones para aflojar o ajustar la tensión y suavizar así el movimiento. Dependiendo del producto y el ajuste, es posible que deba hacer varios intentos hasta poder observar la diferencia.

Il est important que vous fixiez ce produit par rapport au poids du matériel installé, comme l'indiquent les étapes suivantes. À chaque fois que vous ajoutez ou que vous retirez du matériel de ce produit, et que le poids du matériel change, répétez ces étapes d'ajustement pour garantir la sécurité et une utilisation optimale. • Les réglages doivent s'effectuer facilement et sans forcer dans toutes les positions et rester en place une fois réalisés. Si les réglages sont difficiles à effectuer et ne restent pas en position, suivez les instructions pour desserrer ou resserrer la tension afin que les mouvements soient plus aisés. Selon le produit que vous utilisez et le réglage, il faut parfois effectuer plusieurs tours de vis avant de remarquer une différence.

Es ist von Bedeutung, dass Sie dieses Produkt entsprechend dem Gewicht des installierten Geräts wie in den folgenden Schritten beschrieben anpassen. Wenn Zubehör von diesem Produkt entfernt oder dazu hinzugefügt wird, was zu einer Änderung der Last führt, sollten Sie diese Einstellungsschritte wiederholen, um einen sicheren und optimalen Betrieb zu gewährleisten. • Einstellungen sollten über den gesamten Verstellbereich gleichmäßig und leicht durchzuführen sein und an der eingestellten Position verbleiben. Lassen sich die Einstellungen nur schwer durchführen oder bleibt das Gerät nicht in der gewünschten Position, folgen Sie der Anleitung und lockern oder verstärken Sie die Spannung für eine gleichmäßige und leichte Einstellung. Je nach Produkt und Einstellung muss dies mehrmals wiederholt werden, um einen Unterschied zu merken.

Het is belangrijk dat u dit product aanpast volgens het gewicht van de gemonteerde apparatuur zoals beschreven staat in de volgende stappen. Telkens als er apparatuur toegevoegd wordt aan of verwijderd wordt van dit product, wat een verandering van het gewicht van de gemonteerde belasting tot gevolg heeft, moet u deze aanpassingsstappen herhalen om een veilige en optimale werking te garanderen. • Verplaatsingen moeten soepel en eenvoudig over het volle bewegingsbereik mogelijk zijn, en de ingestelde positie moet gehandhaafd blijven. Als aanpassingen moeilijk zijn en de gewenste positie blijft niet gehandhaafd, dan volgt u de instructies om de spanning te verminderen of vergroten om een soepele, eenvoudige aanpassing mogelijk te maken. Al naargelang uw product en de gewenste aanpassing, kunnen een paar slagen nodig zijn om verschil te merken.

È importante regolare questo prodotto in base al peso dell'attrezzatura montata, come descritto nella procedura seguente. Ogni volta che si aggiungono o si rimuovono componenti da questo prodotto, variando quindi il peso del carico fissato, ripetere questa procedura di regolazione per garantire il funzionamento ottimale e in sicurezza. • I componenti a posizione regolabile devono essere spostabili in modo regolare e agevolmente per la loro intera corsa e rimanere fermi quando li si rilasciano. Se risulta difficile regolare la posizione di un componente o questo non rimane nella posizione desiderata, seguire le istruzioni per ridurre o aumentare la tensione di bloccaggio affinché il movimento risulti agevole e facilmente regolabile. A seconda del prodotto e del tipo di regolazione, possono essere necessarie più corse prima di notare una differenza.

Det är viktigt att du justerar denna produkt enligt den monterade utrustningens vikt, som beskrivet i följande steg. När utrustning läggs till eller tas bort från denna produkt och vikten av den monterade belastningen förändras, bör du upprepa dessa justeringar för att säkerställa säker och optimal drift. Justeringar ska röra sig smidigt och lätt genom hela uppsättningen rörelser, och stanna där du ställer in dem. Om justeringarna är besvärliga och inte stannar i önskad position, följ instruktionerna om att lossa på eller skruva åt skruvar för att skapa en smidig och lätt justeringsrörelse. Beroende på din produkt, och på justeringen, kan det ta flera varv innan man märker någon skillnad.

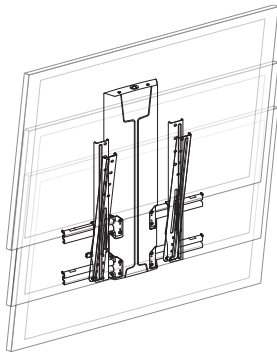
この製品は、取り付けられた機器の重量に応じて次の手順で調整してください。この製品に機器を取り付けたり、取り外したりして重量が変わった場合は、安全かつ最適な操作を保証するために同じ手順をふたたび実行してください。

調整は可動域内でスムーズかつ簡単に動く必要があり、選定した位置にしっかりと固定されなければなりません。調整の動きがぎこちなく、選定位置で固定されない場合は、調整がスムーズにできるよう、説明書に従って張力を増減します。お使いの製品や調整によっては、違いがはっきりするまで何回か回さなければならないこともあります。

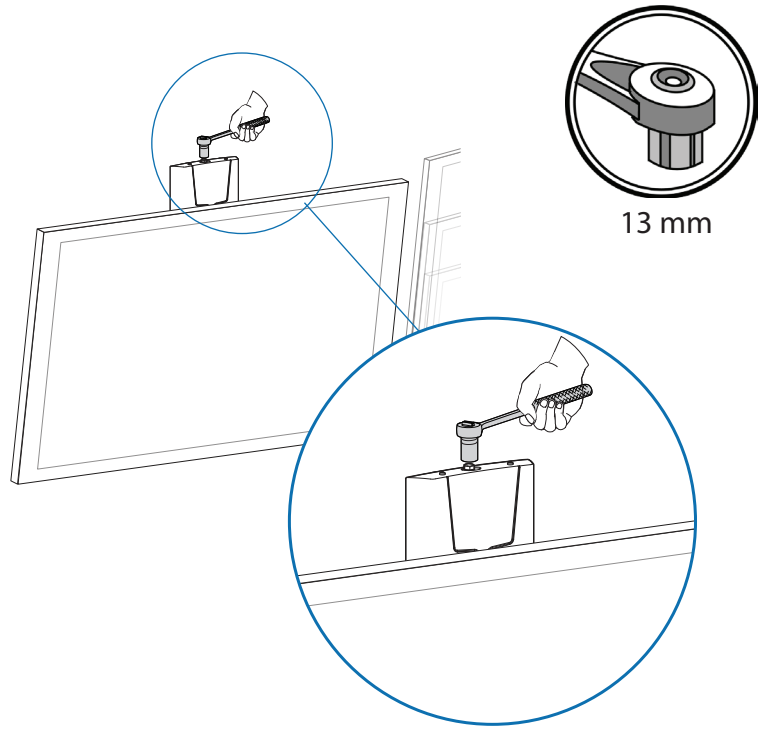
调节应当在整个动作范围内灵活自如，并能固定在所调整的位置。如果调节困难且不能固定在想要的位置上，请遵照说明书拧松或拧紧，使调节动作灵活自如。根据您所用产品及调节方式，可能需要旋转几圈后才能注意到差别。



Lift – Up and down
 Elevación (arriba y abajo)
 Ajustement en hauteur : bas et haut
 Höhenverstellung – rauf und runter
 Verstel in hoogte – Omhoog en omlaag
 Sollevamento – Su e Giù
 Lyft – upp och ned
 リフト(上下)
 升降(上下)
 높이(위/아래로)



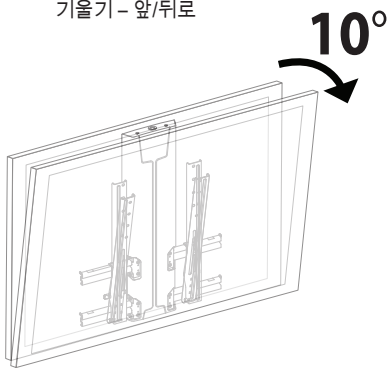
↑
18"
 457 mm
 ↓



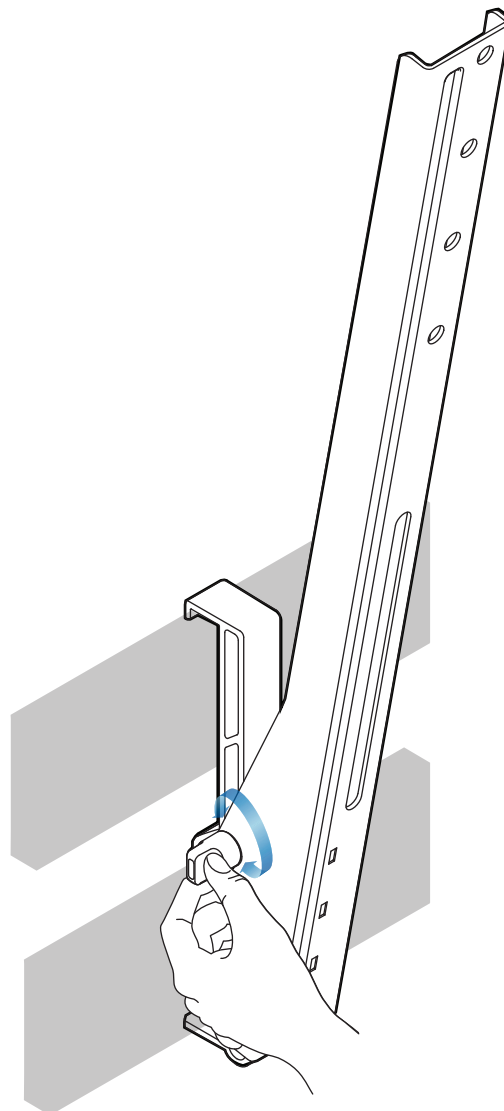
13 mm



Tilt – Forward and Backward
 Inclinación (adelante y atrás)
 Inclinaison : Avant et arrière
 Neigung – vor und zurück
 Kantel – Naar voren en naar achteren
 Inclinazione – Avanti ed Indietro
 Vinkla – framåt och bakåt
 チルト(前後)
 傾斜(前後)
 기울기-앞/뒤로



10°



Touchboards

205 Westwood Ave, Long Branch, NJ 07740
Phone: 866-94 BOARDS (26273) / (732)-222-1511
Fax: (732)-222-7088 | E-mail: sales@touchboards.com



© 2011 Epson, Inc.
All Rights Reserved.

Epson, Inc. makes every effort to provide accurate and complete information on the installation and use of its products. It will not be held liable for any editorial errors or omissions (including those made in the process of translation from English to another language), or for incidental, special or consequential damages of any nature resulting from following this instruction and performance of equipment in connection with this instruction. Epson, Inc. reserves the right to make changes in the product design and/or product documentation without notification to its users. For the most current product information, or to learn if this document is available in languages other than those herein, please contact Epson. No part of this publication may be reproduced, stored in a retrieval system, or transmitted in any form or by any means, electronic, mechanical, photocopying, recording or otherwise, without the prior written consent of Epson, Inc. 1001 Sapp Road, Long Beach, Missouri 64621, USA. Patents Pending and Patented U.S. & Foreign. Epson is a registered trademark of Epson, Inc.

American Sales and Corporate Headquarters

Attn: Touchboards
(800) 944-2627
+1-732-222-7088
www.touchboards.com
sales@touchboards.com

EMEA Sales

Attention: The Netherlands
+31 20 48 48 940
www.touchboards.com
info.us@touchboards.com

APAC Sales

Tokyo, Japan
www.touchboards.com
www.touchboards.com

Touchboards OEM Sales

www.touchboards.com
info.us@touchboards.com