



StyleView Sit-Stand VL

High Traffic Areas

ENGLISH

 www.ergotron.com

USA 1-800-888-8458

Europe +31 (0)33-45 45 600

China 86-769-86018920

Touchboards

205 Westwood Ave, Long Branch, NJ 07740

Phone: 866-94 BOARDS (26273) / (732)-222-1511

Fax: (732)-222-7088 | E-mail: sales@touchboards.com

For service and warranty visit www.ergotron.com

Si desea información de servicio y garantía, visite www.ergotron.com

Pour toute question concernant la garantie ou le service client, consultez www.ergotron.com

Weitere Informationen zu Service und Gewährleistung erhalten Sie unter www.ergotron.com.

Ga voor service en garantie naar www.ergotron.com

Per assistenza e la garanzia visitate www.ergotron.com

Gå in på www.ergotron.com för service och garanti

サービスおよび保証について詳しくは、www.ergotron.com をご覧ください。

有关服务和保修，请访问 www.ergotron.com

www.ergotron.com

User's Guide - English

Guía del usuario - Español

Manuel de l'utilisateur - Français

Gebruikersgids - Nederlands

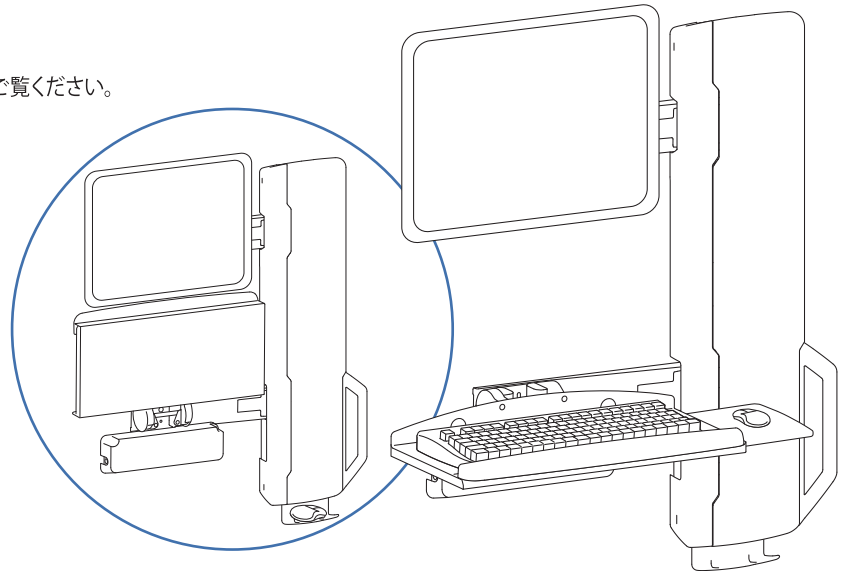
Benutzerhandbuch - Deutsch

Guida per l'utente - Italiano

Användarhandbok - svenska

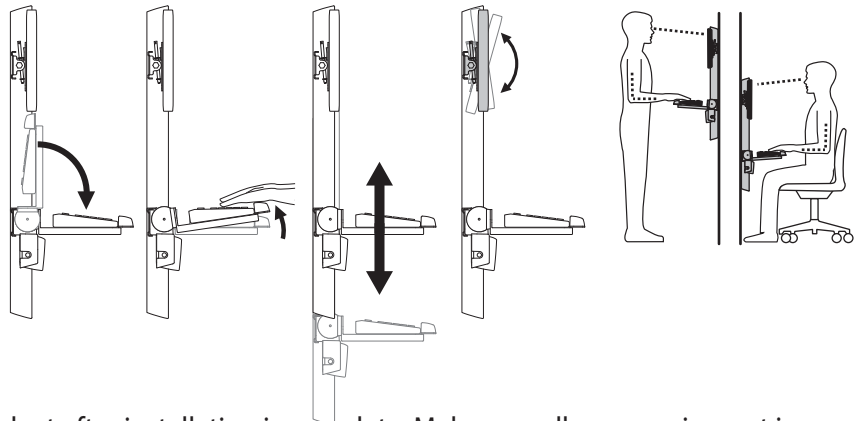
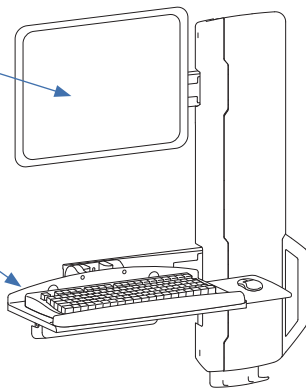
ユーザーガイド : 日本語

用戶指南 : 汉语




LB
kg
≤ 25 lbs
(11.34 kg)


LB
kg
≤ 4 lbs
(1.8 kg)



Important! You will need to adjust this product after installation is complete. Make sure all your equipment is properly installed on the product before attempting adjustments. This product should move smoothly and easily through the full range of motion and stay where you set it. If movements are too easy or difficult or if product does not stay in desired positions, follow the adjustment instructions to create smooth and easy movements. Depending on your product and the adjustment, it may take many turns to notice a difference. Any time equipment is added or removed from this product, resulting in a change in the weight of the mounted load, you should repeat these adjustment steps to ensure safe and optimum operation.



Max weight 29 lbs (13.2 kg)





CAUTION: DO NOT EXCEED MAXIMUM LISTED WEIGHT CAPACITY. SERIOUS INJURY OR PROPERTY DAMAGE MAY OCCUR!



Reduce.Reuse.Recycle

Hazard Symbols Review

These symbols alert users of a safety condition that demands attention. All users should be able to recognize and understand the significance of the following Safety Hazards if encountered on the product or within the documentation. Children who are not able to recognize and respond appropriately to Safety Alerts should not use this product without adult supervision!

Symbol	Signal Word	Level of Hazard
	NOTE	A NOTE indicates important information that helps you make better use of this product.
	CAUTION	A CAUTION indicates either potential damage to hardware or loss of data and tells you how to avoid the problem.
	WARNING	A WARNING indicates either potential for property damage, personal injury, or death.
	ELECTRICAL	An Electrical indicates an impending electrical hazard which, if not avoided, may result in personal injury, fire and/or death.

Safety



WARNING: Because surfaces vary widely and the ultimate mounting method is out of Ergotron's control, it is imperative that you consult with appropriate engineering, architectural or construction professional to ensure that your Ergotron mounting solution is mounted properly to handle applied loads.



CAUTION: Make sure the wall mount bracket is level, flush and snug to the wall surface. **DO NOT OVERTIGHTEN THE BOLTS.**



Important! You will need to adjust this product after installation is complete. Make sure all your equipment is properly installed on the product before attempting adjustments. This product should move smoothly and easily through the full range of motion and stay where you set it. If movements are too easy or difficult or if product does not stay in desired positions, follow the adjustment instructions to create smooth and easy movements. Depending on your product and the adjustment, it may take many turns to notice a difference. Any time equipment is added or removed from this product, resulting in a change in the weight of the mounted load, you should repeat these adjustment steps to ensure safe and optimum operation.



CAUTION:

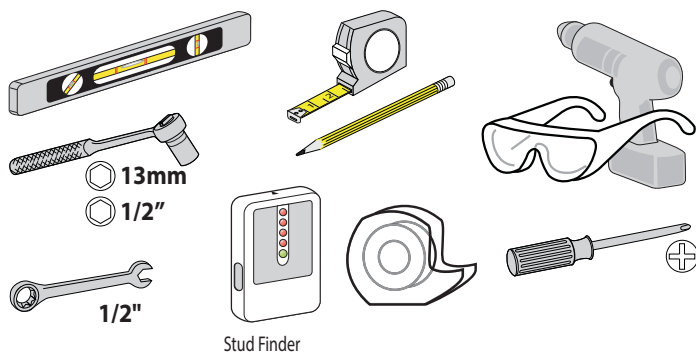
Product is shipped with a stop screw that MUST be removed before use.

**DO NOT REMOVE STOP SCREW BEFORE ATTACHING KEYBOARD TRAY.
Failure to follow these instructions will cause equipment damage.**

Components

	A	B	C	D	
1	1x	2x	1x	4x	
2		1x	1x	4x	
3		1x		4x	
4		2x		10x	
5		4x	4x	2x	
6	1x		1x	4x	10x
7	1x			4x	
8	1x		1x	2x	4x

Tools Needed



HOLLOW WALL

Ø 1/2" (13 mm)

WOOD

Ø 7.32" (5.5 mm)
Ø 1/2" (13 mm)

CONCRETE

Ø 3/8" (9.5 mm)

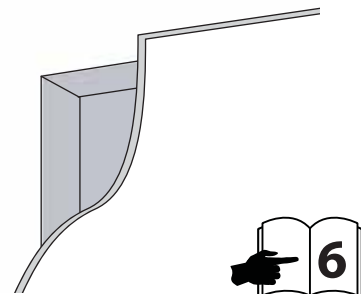
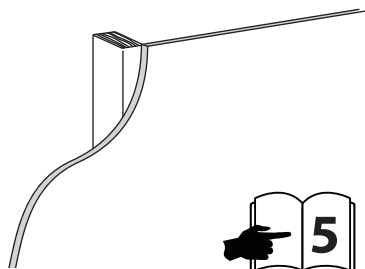
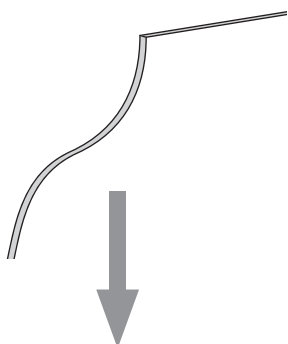
Set-up Steps

3 Mounting Options

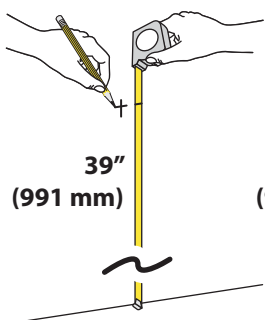
Hollow Wall

Wood Stud

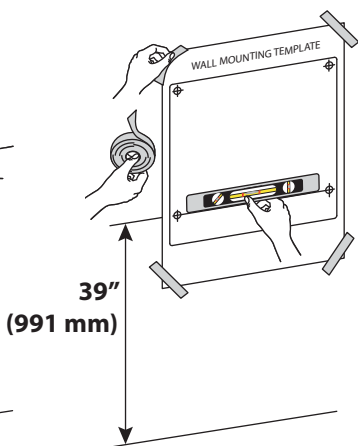
Concrete



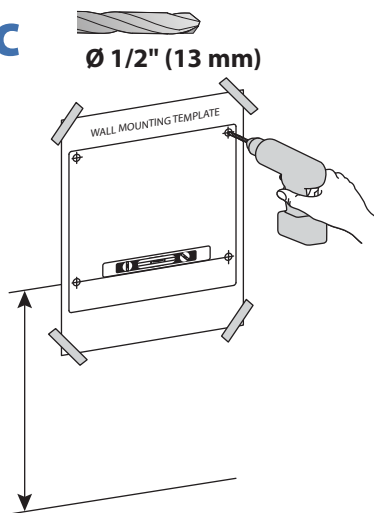
1 a



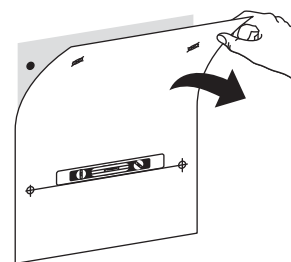
b



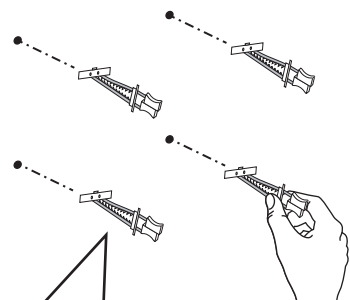
c



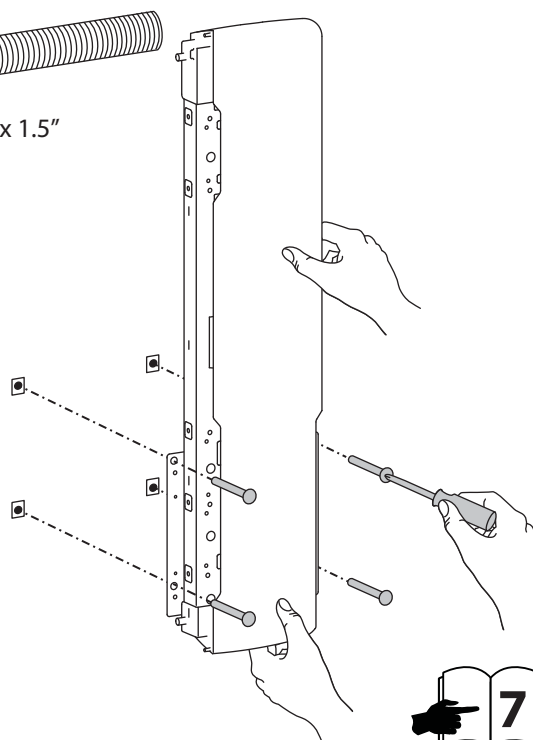
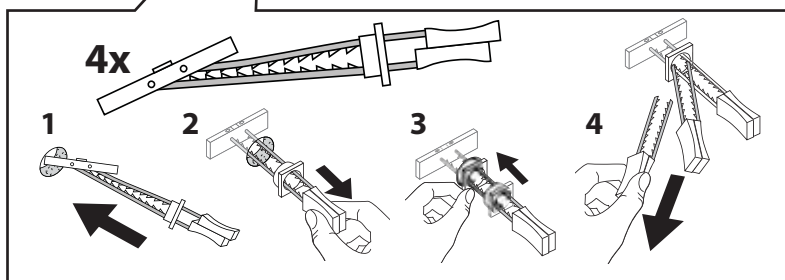
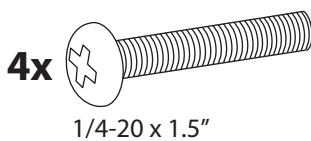
d



2 a

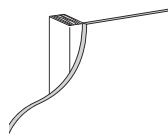


b

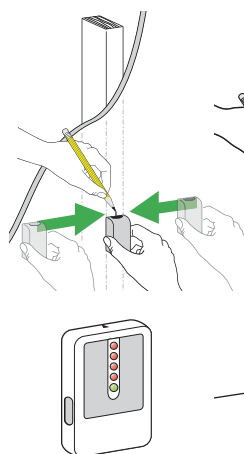


Set-up Steps

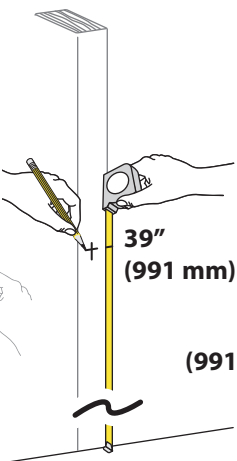
Wood Stud



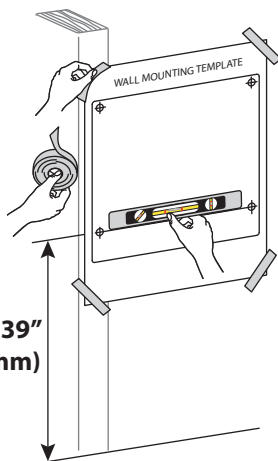
1 a



b

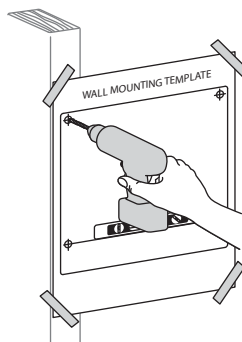


c



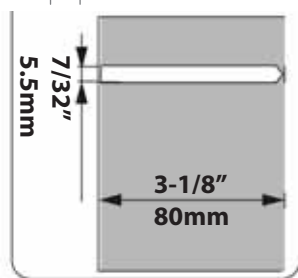
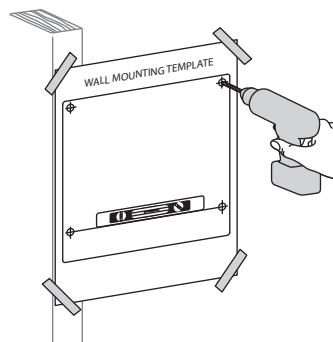
d

\varnothing 7/32" (5.5 mm)

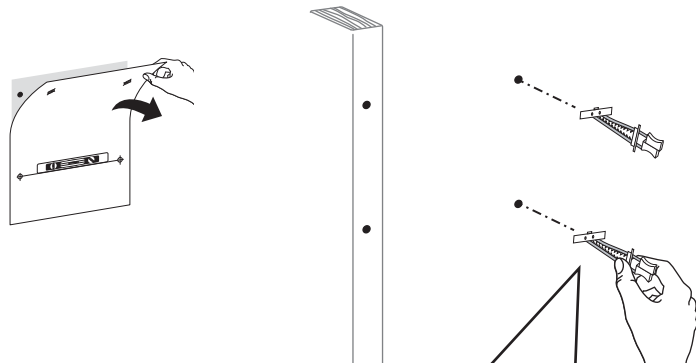


e

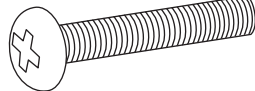
\varnothing 1/2" (13 mm)

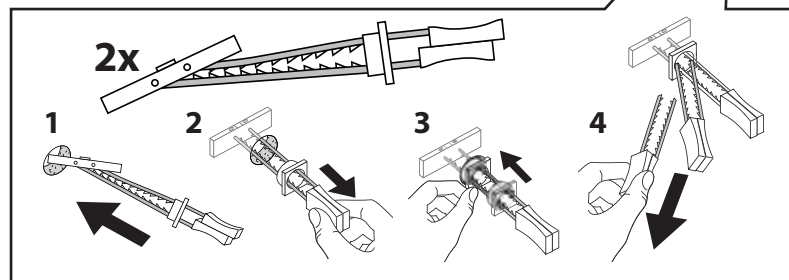


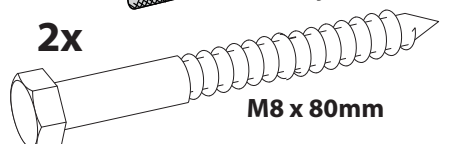
2 a

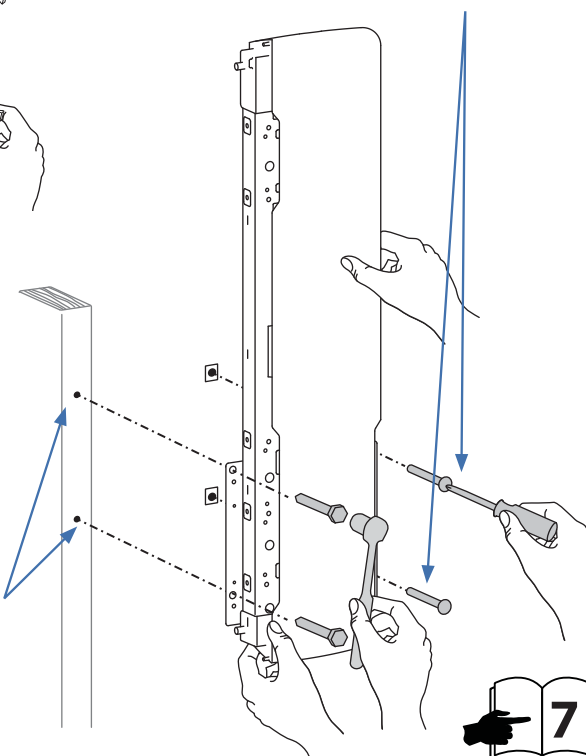


b

2x  1/4-20 x 1.5"

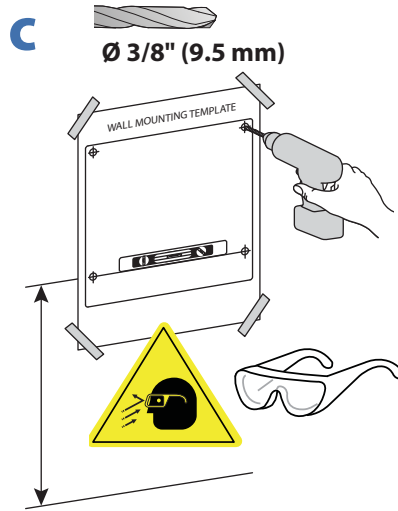
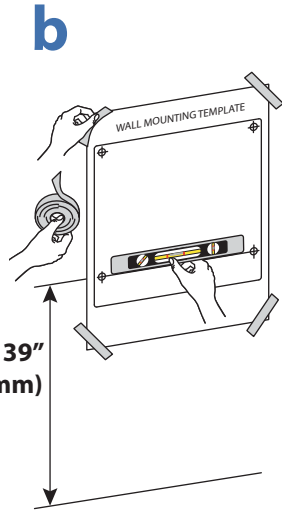
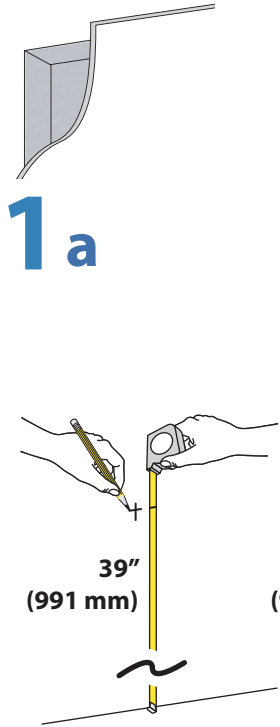


2x  M8 x 80mm



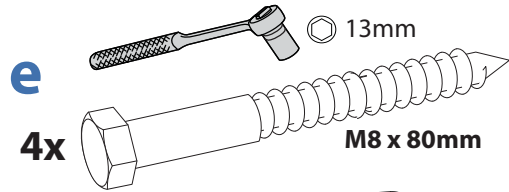
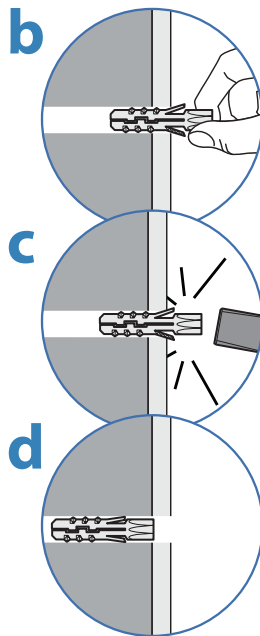
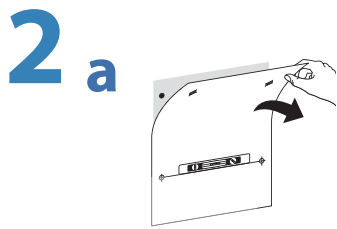
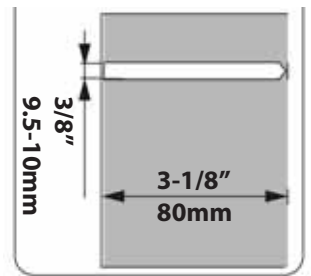
Set-up Steps

Concrete



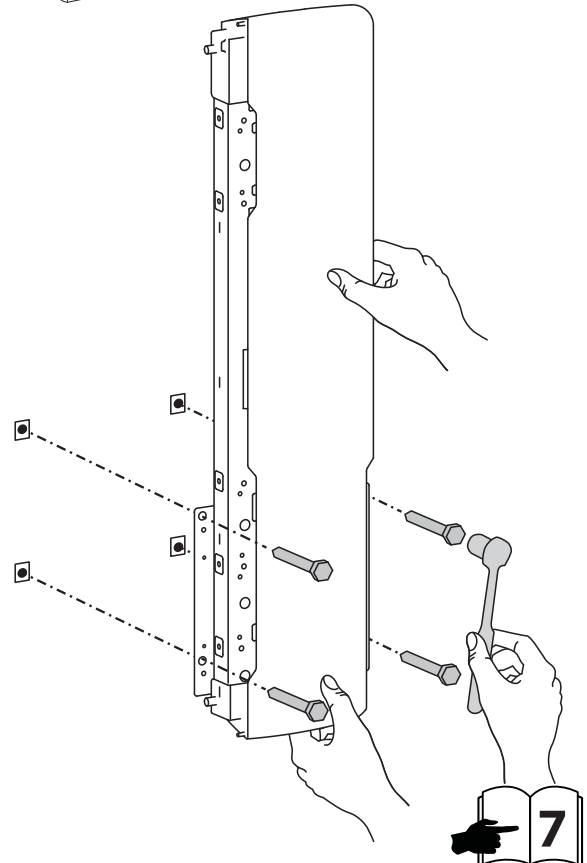
WARNING:

Mounting holes must be at least 3-1/8" (80mm) deep and must be located within solid concrete, not mortar or covering material. If you drill into an area of concrete that is not solid, reposition mounting holes until both anchors can be fully inserted into solid concrete!



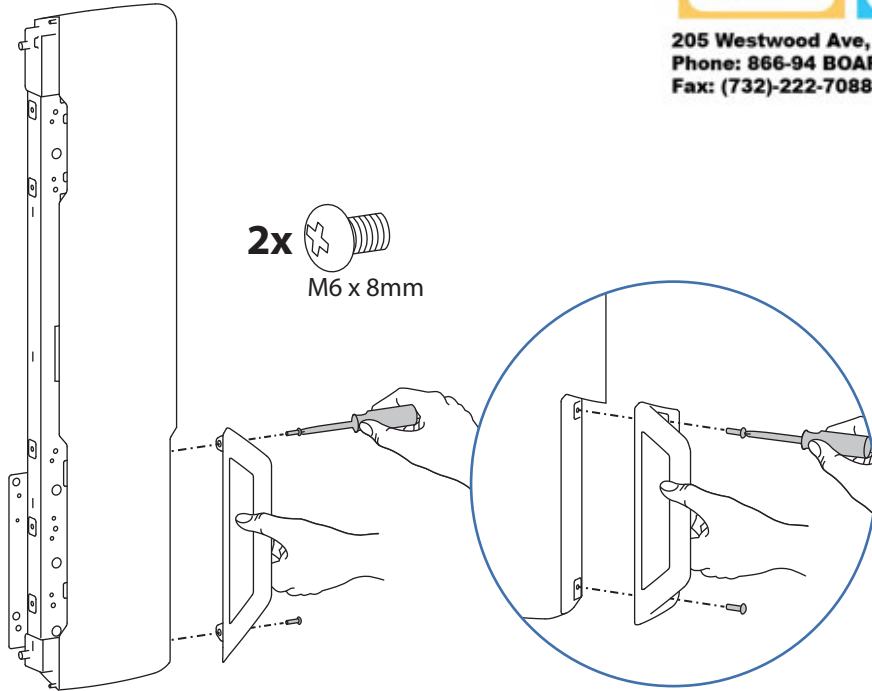
WARNING:

Anchors that are not fully set in solid concrete will not support the applied load resulting in an unstable, unsafe condition which could lead to personal injury and/or property damage. Consult a construction professional if you have any doubt about what this means in regard to your particular situation.



Set-up Steps

3

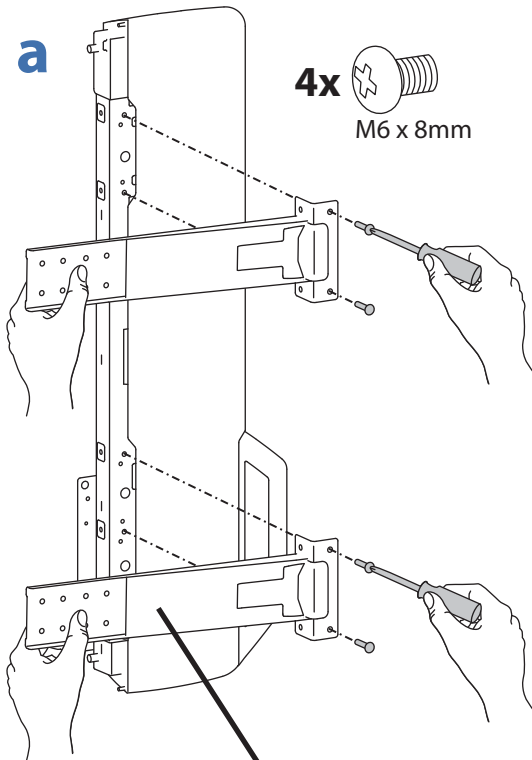


Touchboards

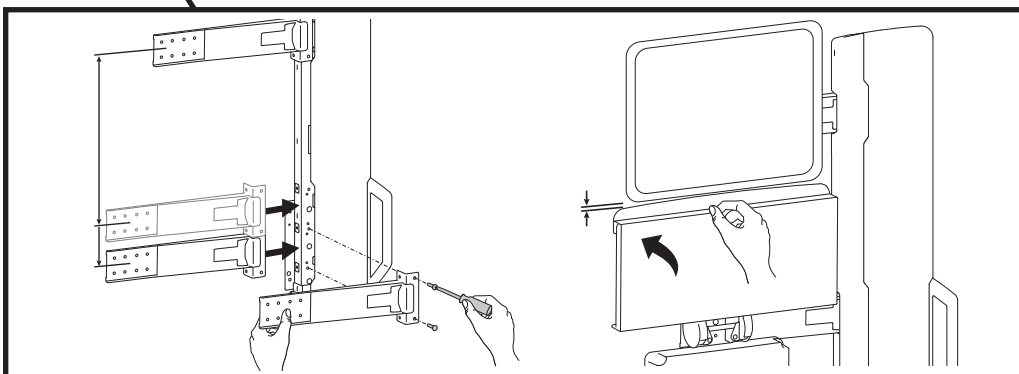
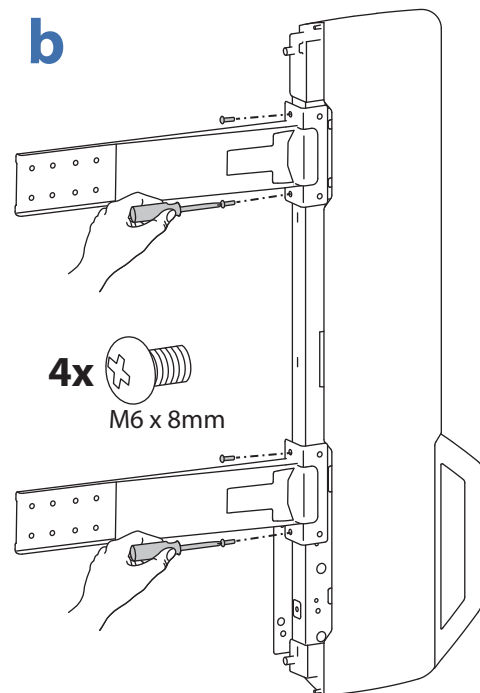
205 Westwood Ave, Long Branch, NJ 07740
Phone: 866-94 BOARDS (26273) / (732)-222-1511
Fax: (732)-222-7088 | E-mail: sales@touchboards.com

ENGLISH

4 a



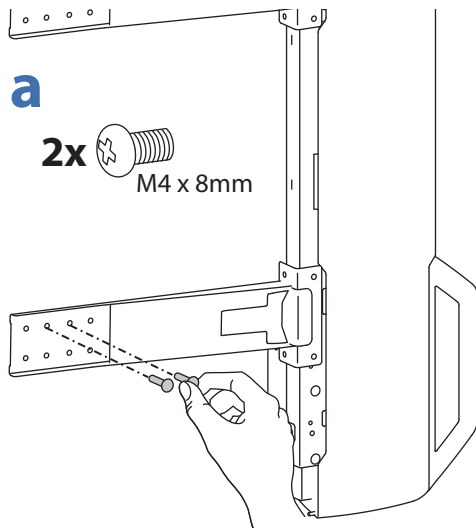
b



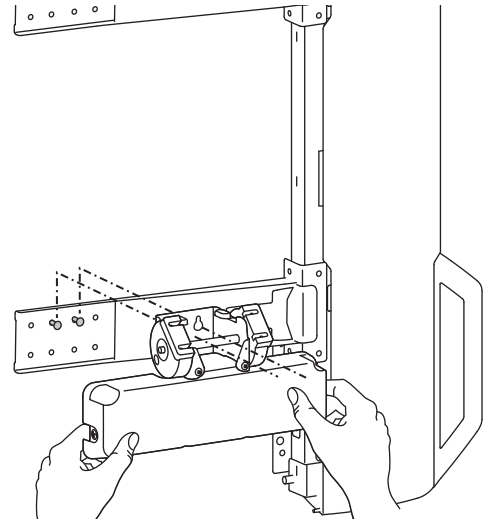
Set-up Steps

5

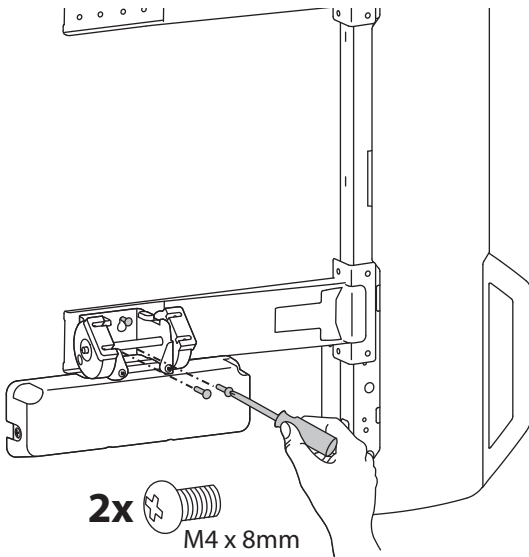
a



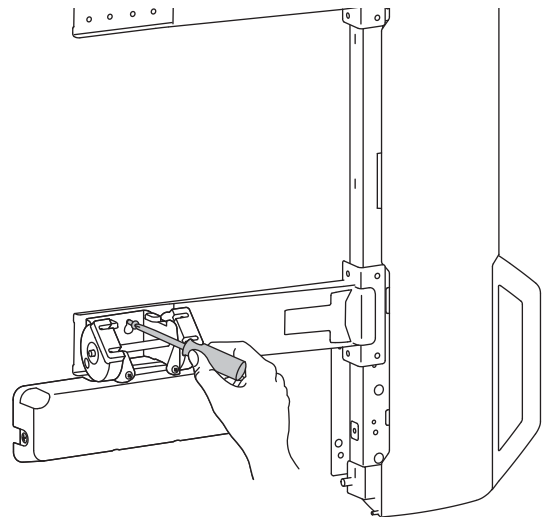
b



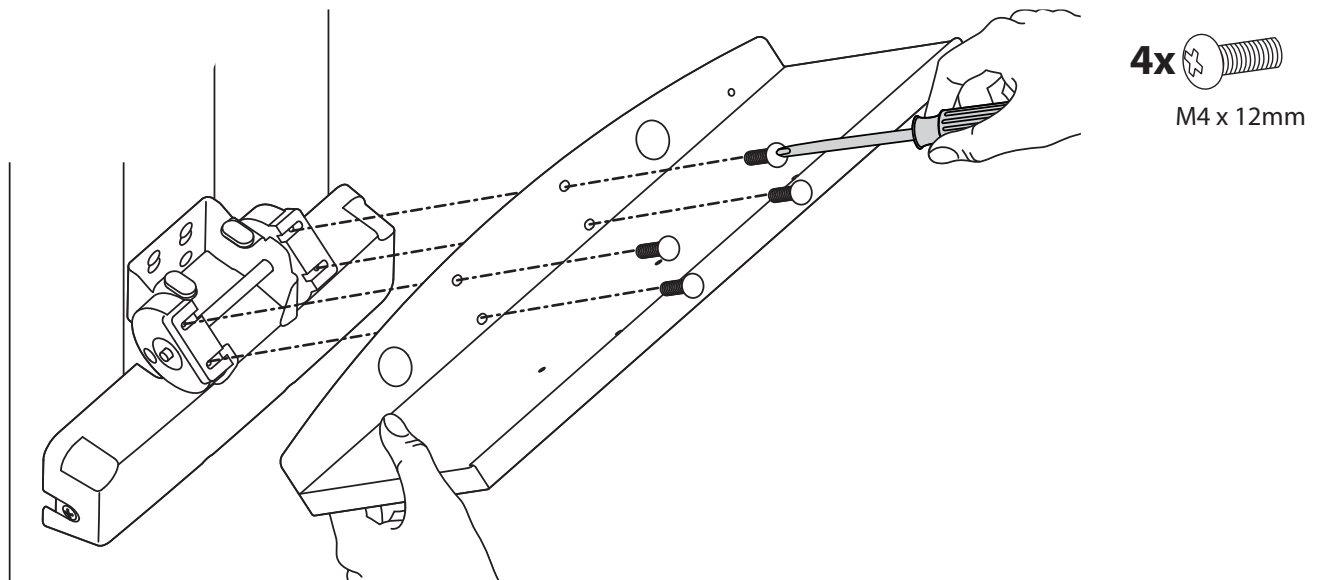
c



d



e

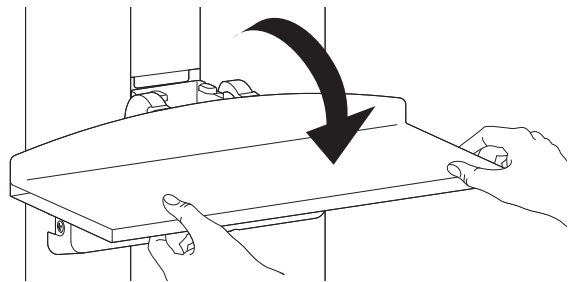
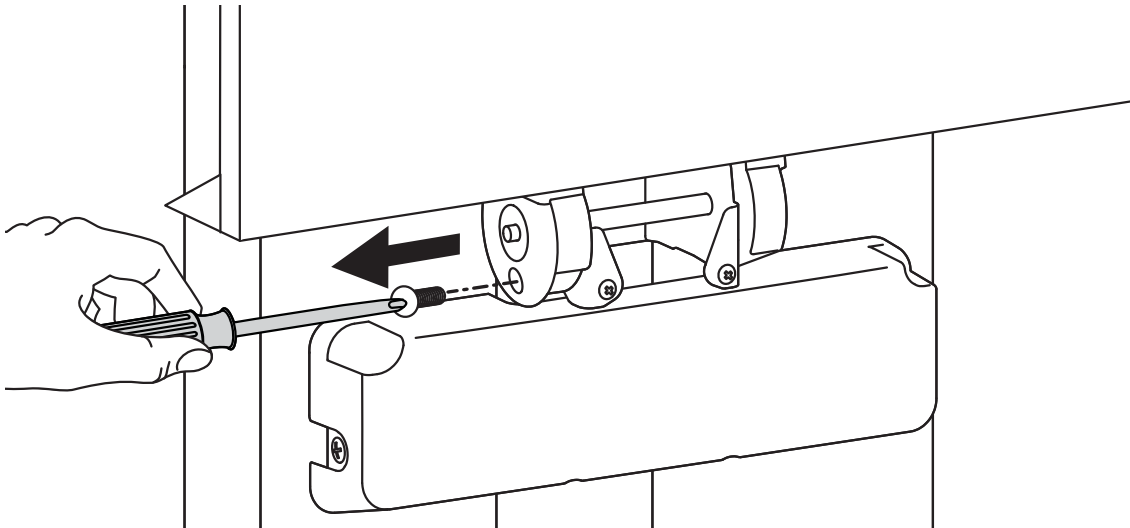


f REMOVE STOP SCREW BEFORE USE.

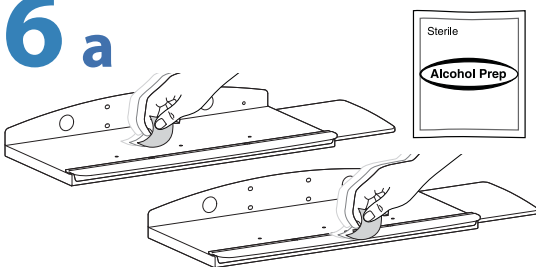


CAUTION:

**Product is shipped with a stop screw that MUST be removed before use.
DO NOT REMOVE STOP SCREW BEFORE ATTACHING
KEYBOARD TRAY.
Failure to follow these instructions will cause
equipment damage.**



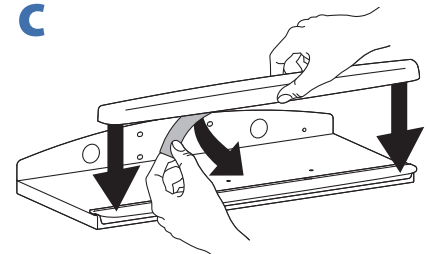
6 a



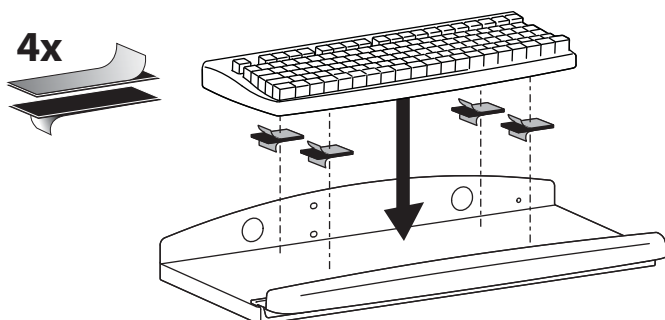
b



c

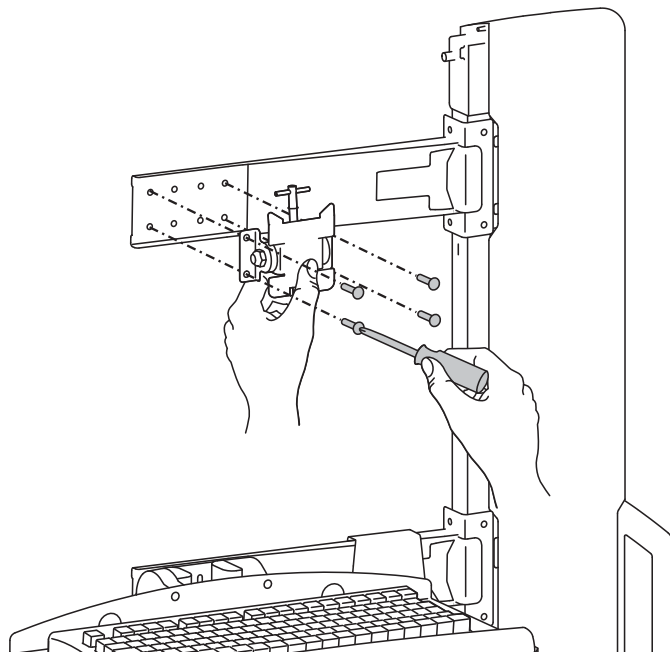


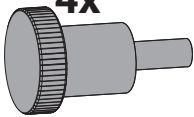
d 4x

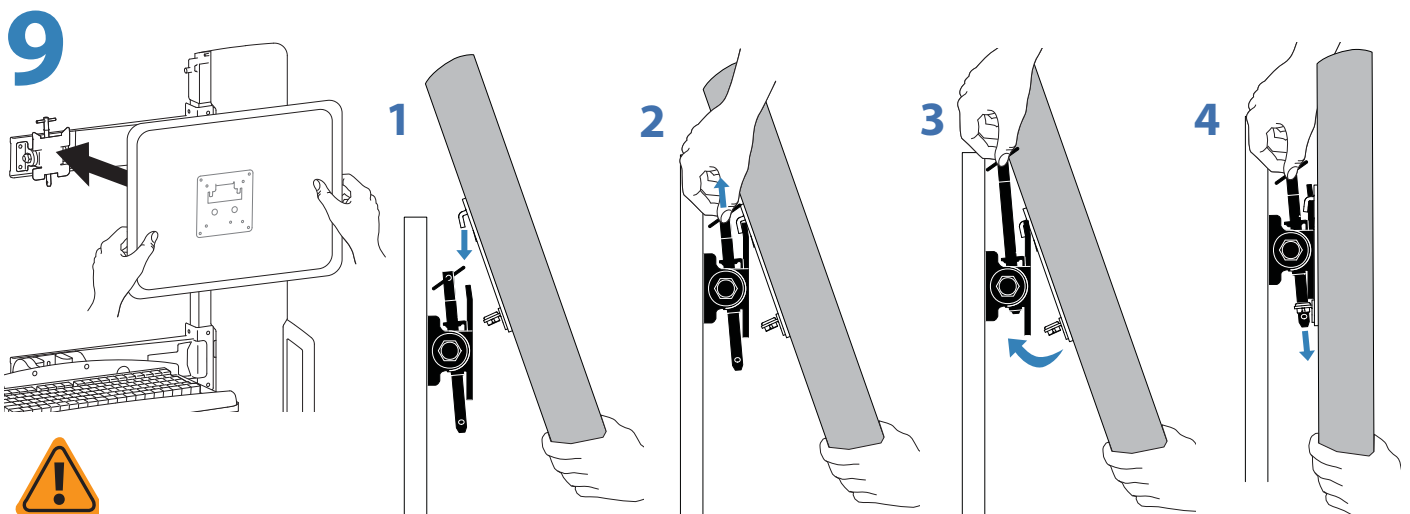
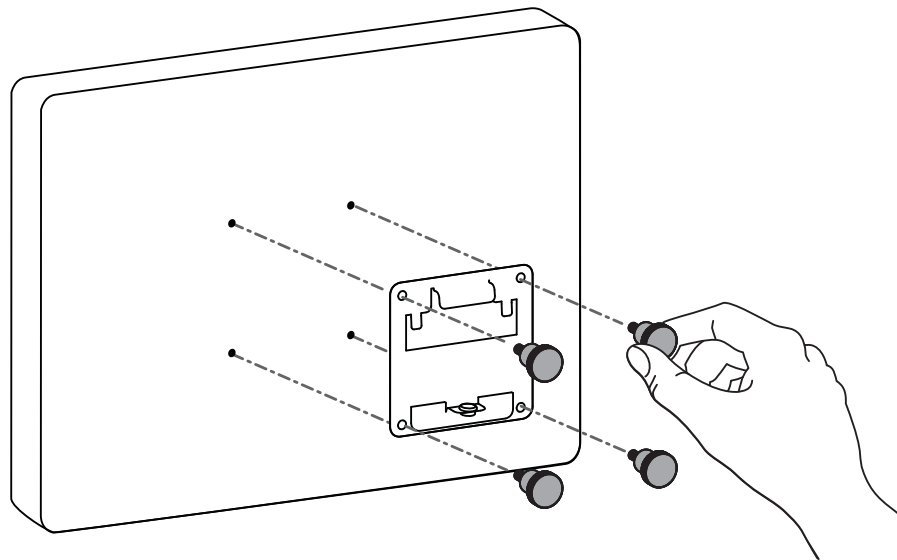


Set-up Steps

7 4x  M4 x 8mm



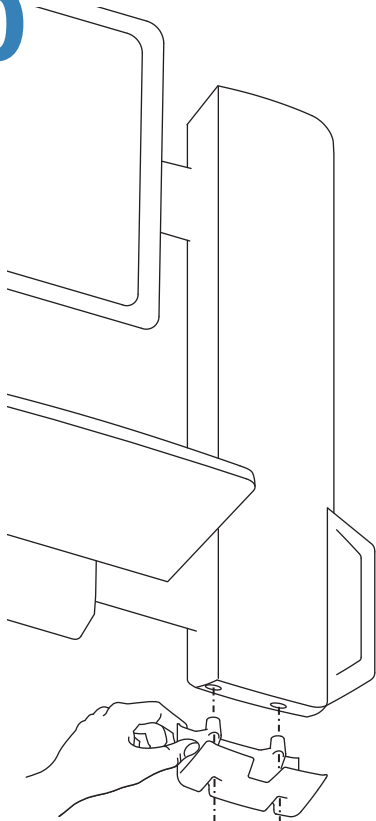
8 4x  M4 x 10mm




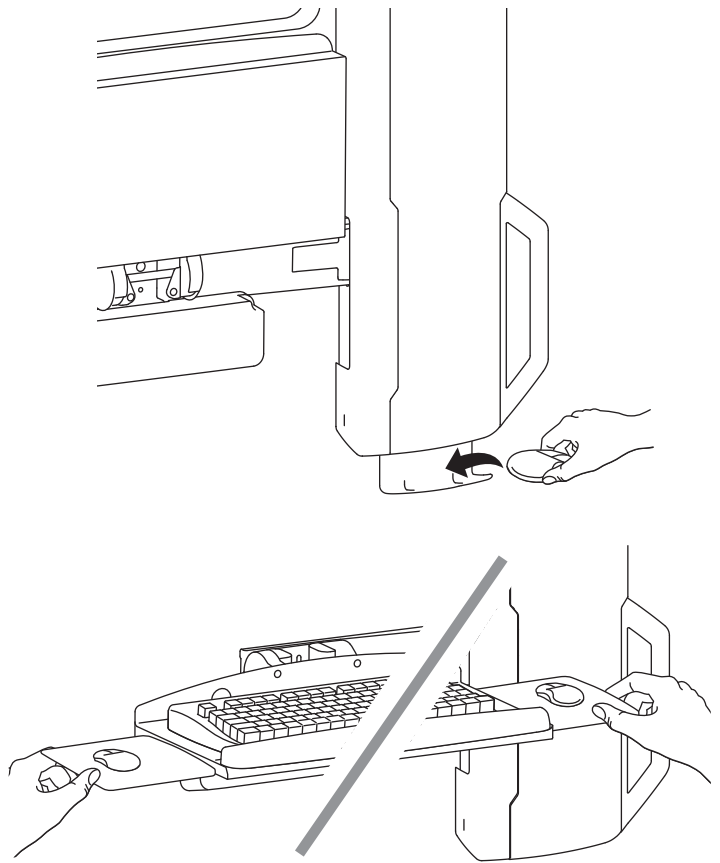
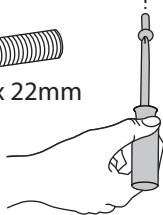
WARNING: The monitor will not be securely attached until the Locking Pin passes through the tab on the Quick Release Bracket. Do not leave the monitor unsupported until you are certain the Locking Pin is in place.

Set-up Steps

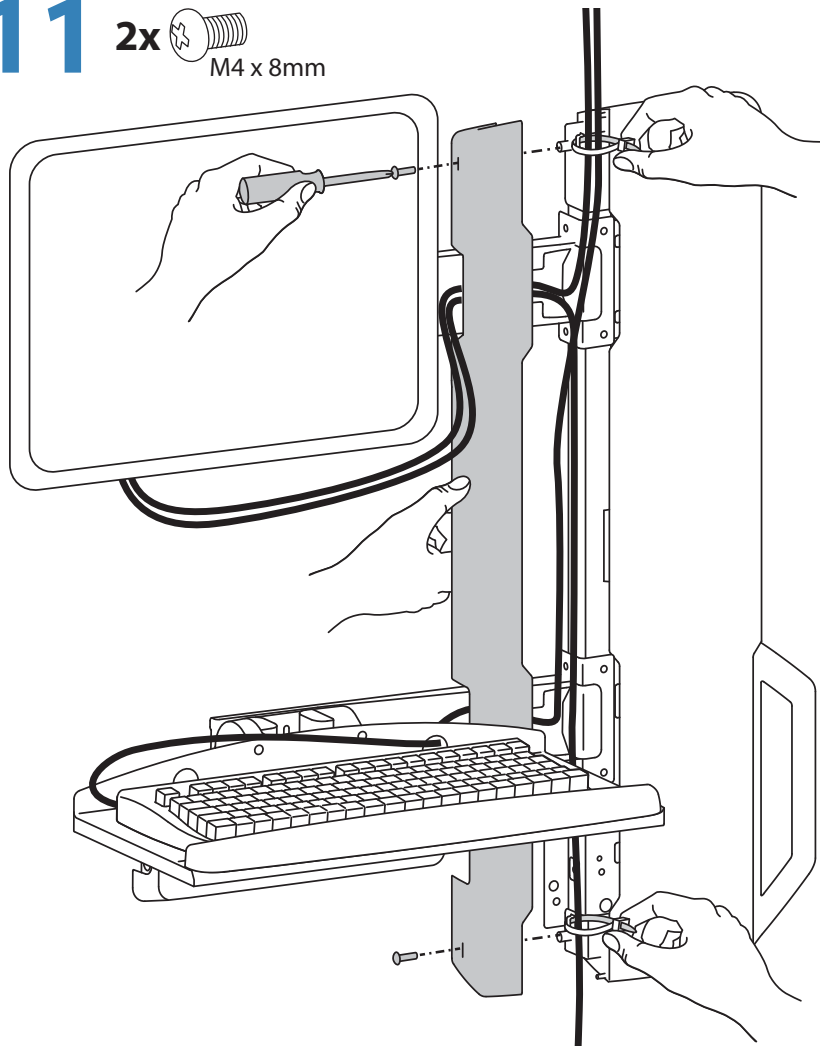
10



2x  M4 x 22mm



11

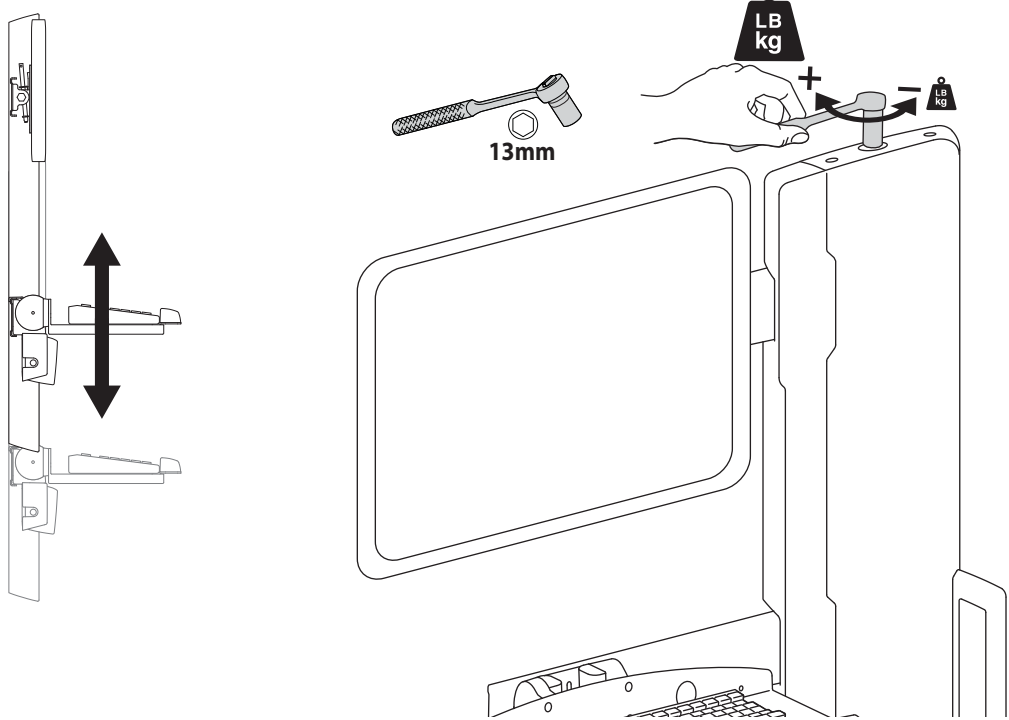
 2x  M4 x 8mm

Leave enough slack in cable to allow full range of up-down motion.

12 Adjustment Step

Important! You will need to adjust this product after installation is complete. Make sure all your equipment is properly installed on the product before attempting adjustments. This product should move smoothly and easily through the full range of motion and stay where you set it. If movements are too easy or difficult or if product does not stay in desired positions, follow the adjustment instructions to create smooth and easy movements. Depending on your product and the adjustment, it may take many turns to notice a difference. Any time equipment is added or removed from this product, resulting in a change in the weight of the mounted load, you should repeat these adjustment steps to ensure safe and optimum operation.

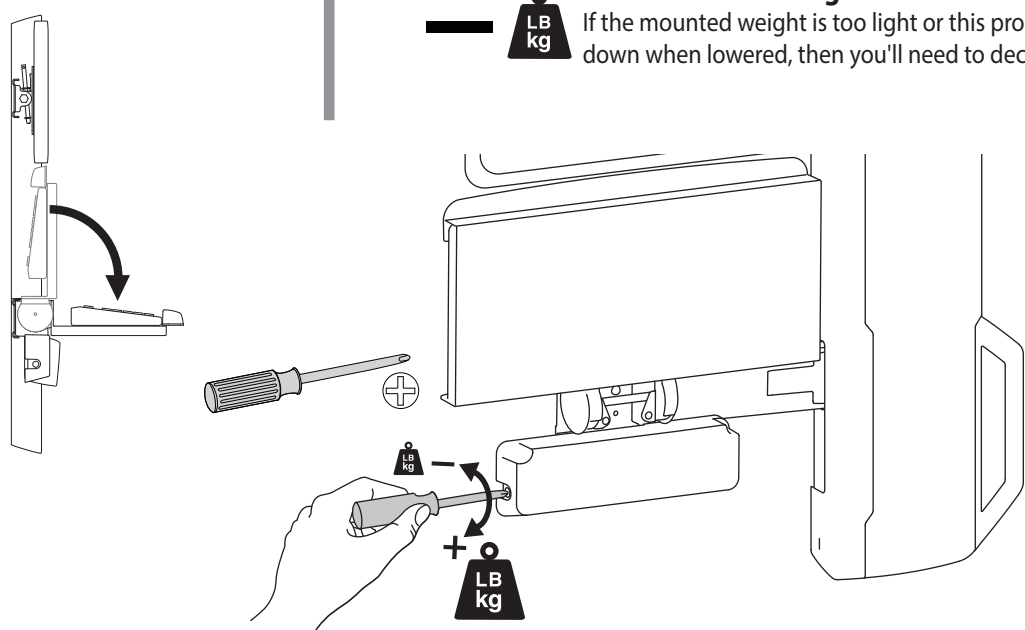
a



+ LB kg Increase Lift Strength
 If the mounted weight is too heavy or this product does not stay up when raised, then you'll need to increase Lift Strength:

- LB kg Decrease Lift Strength
 If the mounted weight is too light or this product does not stay down when lowered, then you'll need to decrease Lift Strength:

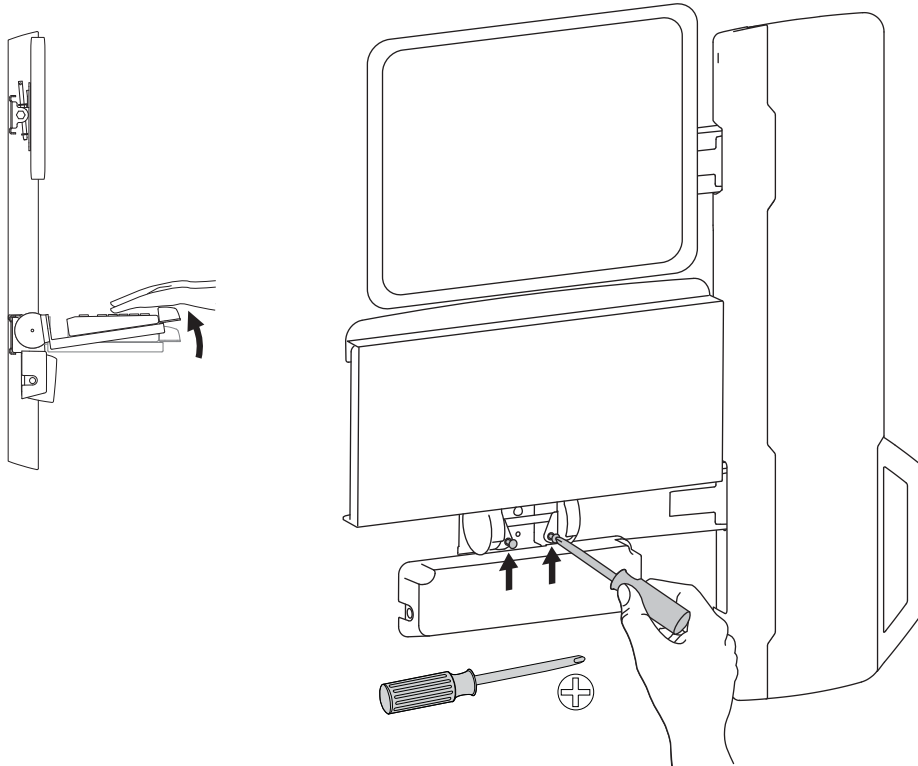
b



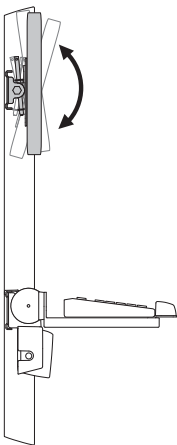


Adjustment Step

C



d



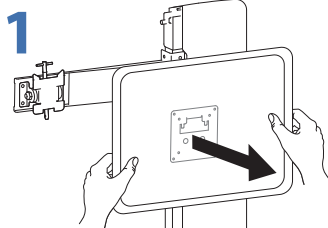
Increase Friction

If this product moves too easily from side-to-side, then you'll need to increase friction:

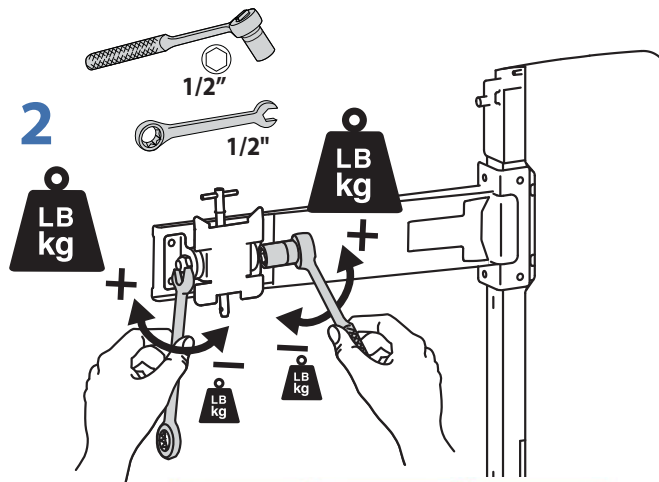


Decrease Friction

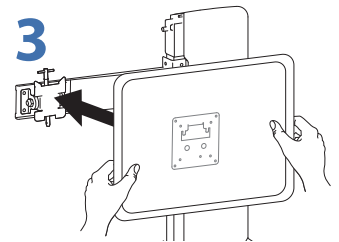
If this product is too difficult to move from side-to-side, then you'll need to decrease friction:



2



3



Set Your Workstation to Work For YOU!

Configure su estación de trabajo para que trabaje para USTED.

Ajustez votre station de travail en fonction de VOS besoins !

Richten Sie Ihren Arbeitsplatz so ein, dass er für SIE arbeitet!

Stel uw werkstation zo in dat het voor U werkt!

Approntare la stazione di lavoro nella posizione ergonomica ottimale.

一人ひとりにピッタリのワークステーション!

按照您自身的需要设置工作站!

Learn more about ergonomic computer use at:

Más información sobre el uso ergonómico de ordenadores:

Apprenez-en plus sur l'utilisation ergonomique d'un ordinateur sur :

Weitere Informationen zur ergonomischen Computernutzung finden Sie unter:

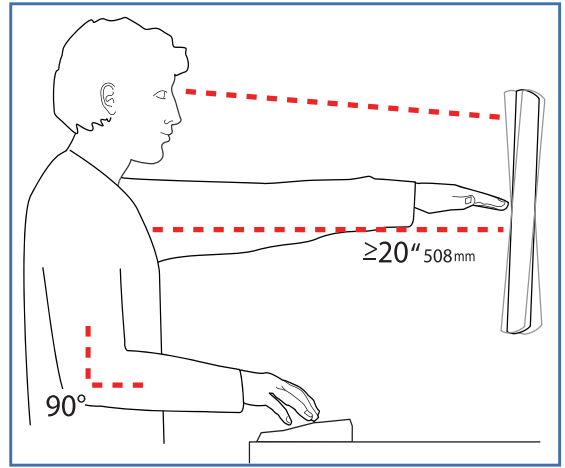
Leer meer over ergonomisch computergebruik op:

Per ulteriori informazioni sull'uso ergonomico del computer:

人間工学的なコンピュータの使用法については次のサイトを参照してください

想进一步了解以符合人体工程学的方式使用计算机的知识，请访问：

www.computingcomfort.org



To Reduce Fatigue

Breathe - Breathe deeply through your nose.

Blink - Blink often to avoid dry eyes.

Break • 2 to 3 minutes every 20 minutes

• 15 to 20 minutes every 2 hours.

- Height** Position top of screen slightly below eye level.
Distance Position keyboard at about elbow height with wrists flat.
Distance Position screen an arm's length from face—at least 20" (508mm).
Angle Position keyboard close enough to create a 90° angle in elbow.
Angle Tilt screen to eliminate glare.
Angle Tilt the keyboard back 10° so that your wrists remain flat.

- Altura** Coloque el borde superior de la pantalla ligeramente por debajo de la altura de sus ojos.
Distancia Coloque el teclado aproximadamente a la altura de los codos con las muñecas planas.
Distancia Coloque la pantalla a una distancia de un brazo desde la cara—al menos 50 cm (20 pulgadas).
Ángulo Coloque el teclado lo suficientemente cerca para que el codo forme un ángulo de 90°.
Ángulo Incline la pantalla para eliminar los reflejos.
Ángulo Incline el teclado 10° hacia atrás para que las muñecas sigan en posición plana.

- Para reducir la fatiga**
Respirar - Respire hondo por la nariz.
Papadear - Parpadee a menudo para que no se sequen los ojos.
Descansar • 2 o 3 minutos cada 20 minutos
• 15 o 20 minutos cada 2 horas.

- Hauteur** Positionnez l'écran du haut légèrement en dessous du niveau du regard.
Distance Positionnez le clavier à peu près à la même hauteur que vos coudes, pour que vos poignets soient à plat.
Distance Positionnez l'écran à un bras de distance de votre visage, à au moins 508 mm (20 pouces).
Angle Positionnez le clavier assez près pour que vos coudes forment un angle de 90°.
Angle Inclinez l'écran pour ne pas être ébloui.
Angle Inclinez le clavier vers l'arrière de 10° pour que vos poignets soient à plat.

- Pour réduire la fatigue**
Respirez - Respirez profondément par votre nez.
Clignez des yeux - Clignez souvent des yeux pour ne pas avoir les yeux secs.
Faites des pauses • 2 à 3 minutes toutes les 20 minutes
• 15 à 20 minutes toutes les 2 heures.

- Höhe** Positionieren Sie die obere Kante des Bildschirms knapp unter Augenhöhe.
Abstand Positionieren Sie die Tastatur bei flach aufgelegten Handgelenken auf Ellenbogenhöhe.
Abstand Positionieren Sie den Bildschirm mindestens eine Armlänge (50 cm) von Ihrem Gesicht entfernt.
Winkel Positionieren Sie die Tastatur nahe genug, um einen Ellenbogenwinkel von 90° zu ermöglichen.
Winkel Neigen Sie den Bildschirm so, dass ein Spiegeleffekt vermieden wird.
Winkel Neigen Sie die Tastatur um 10° nach hinten, sodass Ihre Handgelenke flach aufliegen.

- Vermeiden von Ermüderserscheinungen**
Atmen - Atmen Sie tief durch die Nase ein und aus.
Blinzeln - Blinzeln Sie so oft wie möglich, um trockene Augen zu vermeiden.
Pausen • Machen Sie alle 20 Minuten eine Pause von 2-3 Minuten
• Machen Sie alle 2 Stunden eine Pause von 15-20 Minuten.

- Hoogte** Zet de bovenkant van het scherm iets boven ooghoogte.
Afstand Plaats het toetsenbord op ongeveer ellebooghoogte met de polsen plat.
Afstand Plaats het scherm op een armlengte van uw gezicht — op ten minste 508 mm (20 in).
Hoek Zet uw toetsenbord zo dichtbij dat u een hoek van 90° in de ellebogen hebt.
Hoek Kantel het scherm om weerspiegeling te elimineren.
Hoek Kantel het toetsenbord 10° naar achteren, zodat uw polsen plat blijven liggen.

- Om vermoeidheid te verminderen**
Ademen - Adem diep door uw neus in en uit.
Knipperen - Knipper regelmatig om droge ogen te vermijden.
Pauzes nemen • 2 tot 3 minuten elke 20 minuten
• 15 tot 20 minuten elke 2 uur.

- Altezza** Posizionare la parte superiore dello schermo leggermente sotto il livello degli occhi.
Distanza Posizionare la tastiera circa all'altezza dei gomiti, in modo che i polsi siano piatti.
Distanza Posizionare lo schermo a un braccio di distanza dal viso, almeno a 20" (508 mm) di distanza.
Angolazione Posizionare la tastiera affinché sia abbastanza vicina da costringere i gomiti a un angolo di 90°.
Angolazione Inclinare lo schermo in modo da eliminare i riflessi.
Angolazione Inclinare la tastiera indietro di 10° in modo che i polsi rimangano piatti.


- Per ridurre l'affaticamento**
Respirazione - Respirare profondamente dal naso.
Battito delle palpebre - Battere spesso le palpebre per evitare che gli occhi si asciughino.
Pause • Fare una pausa di 2 - 3 minuti ogni 20 minuti
• Fare una pausa di 15 - 20 minuti ogni 2 ore.

- 高さ** スクリーンの上端が目よりわずかに下に来るようにします。
距離 キーボードが、手首を水平に伸ばした状態でひじとほぼ同じ高さに来るようにします。
距離 スクリーンを顔から腕の長さ分 (少なくとも508mm) 離します。
角度 ひじが直角になる位置にキーボードを置きます。
角度 反射光をなくすようにスクリーンの角度を調整します。
角度 キーボードを後方に 10° 傾けて、手首が水平になるようにします。

- 疲れを軽減する方法**
呼吸 - 鼻から深く呼吸します。
まばたき - 目の乾燥を防ぐために頻繁にまばたきしてください。
休憩 • 20分ごとに2~3分
• 2時間ごとに15~20分

- 高度** 屏幕顶端的位置要稍低于视线高度。
距离 将键盘放置在大约肘部的高度并且手腕要能放平。
距离 将屏幕摆放在距离面部一臂长的位置——至少 508mm (20")。
角度 键盘的位置要够近，以使肘部形成直角。
角度 倾斜屏幕以消除眩光。
角度 将键盘向后倾斜 10 度，使手腕能保持放平。

- 为了减轻疲劳**
呼吸 - 通过鼻子深呼吸。
眨眼 - 经常眨眼可避免眼睛干涩。
休息 • 每隔 20 分钟休息 2 至 3 分钟
• 每隔 2 小时休息 15 至 20 分钟。

 © 2013 Ergotron, Inc. All rights reserved.

While Ergotron, Inc. makes every effort to provide accurate and complete information on the installation and use of its products, it will not be held liable for any editorial errors or omissions (including those made in the process of translation from English to another language), or for incidental, special or consequential damages of any nature resulting from furnishing this instruction and performance of equipment in connection with this instruction. Ergotron, Inc. reserves the right to make changes in the product design and/or product documentation without notification to its users. For the most current product information, or to know if this document is available in languages other than those herein, please contact Ergotron. No part of this publication may be reproduced, stored in a retrieval system, or transmitted in any form or by any means, electronic, mechanical, photocopying, recording or otherwise without the prior written consent of Ergotron, Inc., 1181 Trapp Road, Eagan, Minnesota, 55121, USA Patents Pending and Patented U.S. & Foreign. Ergotron is a registered trademark of Ergotron, Inc.

Americas Sales and Corporate Headquarters **EMEA Sales**

St. Paul, MN USA (800) 888-8458 +1-651-681-7600 www.ergotron.com sales@ergotron.com

Amersfoort, The Netherlands +31 33 45 45 600 www.ergotron.com info.eu@ergotron.com

APAC Sales **Worldwide OEM Sales**

Tokyo, Japan www.ergotron.com apaccustomerservice@ergotron.com

www.ergotron.com info.oem@ergotron.com