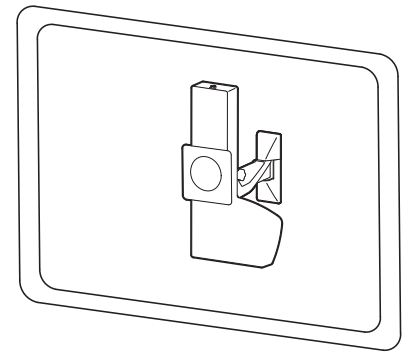
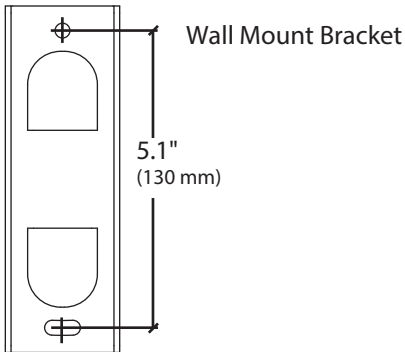


Ergotron®

Glide Wall Mount, LD-X

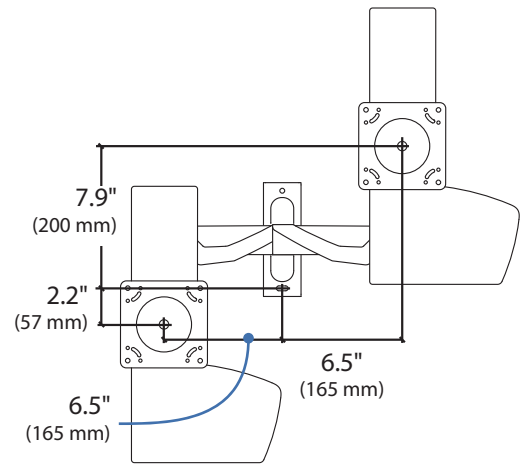
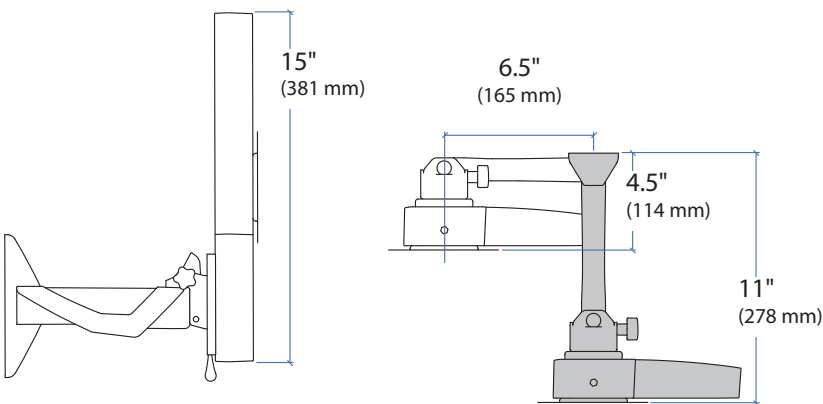
Dimensional Illustrations

Dimensions

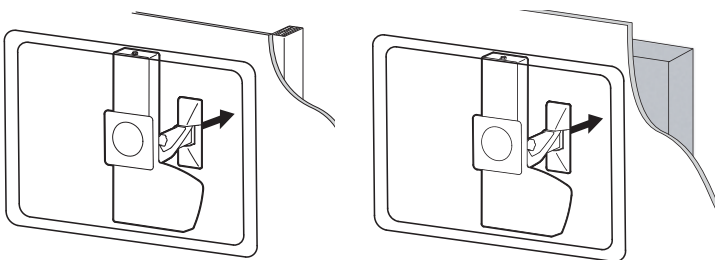


Weight Capacity

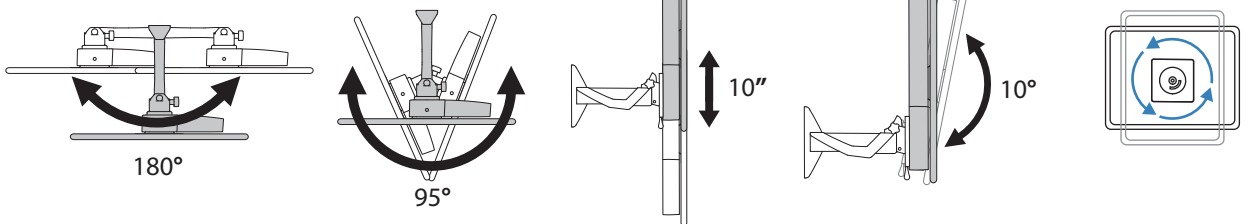
LB 12 - 30 lbs
kg (5.4 - 13.6 kg)



Attaches to Wood or Concrete



Range of Motion



© 2013 Ergotron, Inc. rev. 07/23/2013 DIM-GlideLD Content is subject to change without notification

Americas Sales and Corporate Headquarters

St. Paul, MN USA
(800) 888-8458
+1-651-681-7600
www.ergotron.com
sales@ergotron.com

EMEA Sales

Amersfoort, The Netherlands
+31 33 45 45 600
www.ergotron.com
info.eu@ergotron.com

APAC Sales

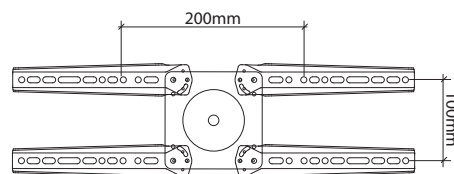
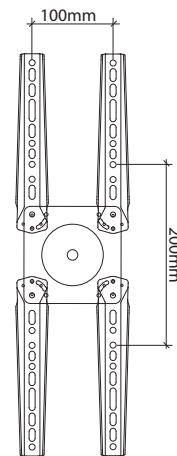
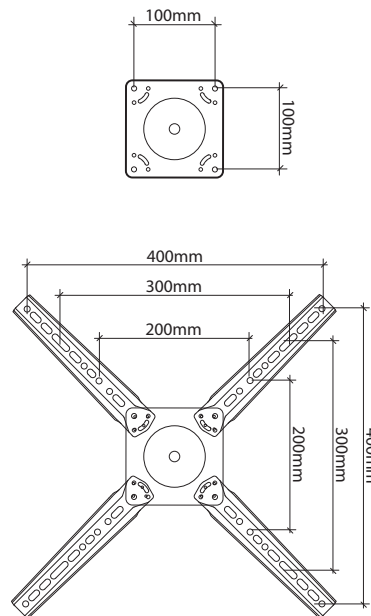
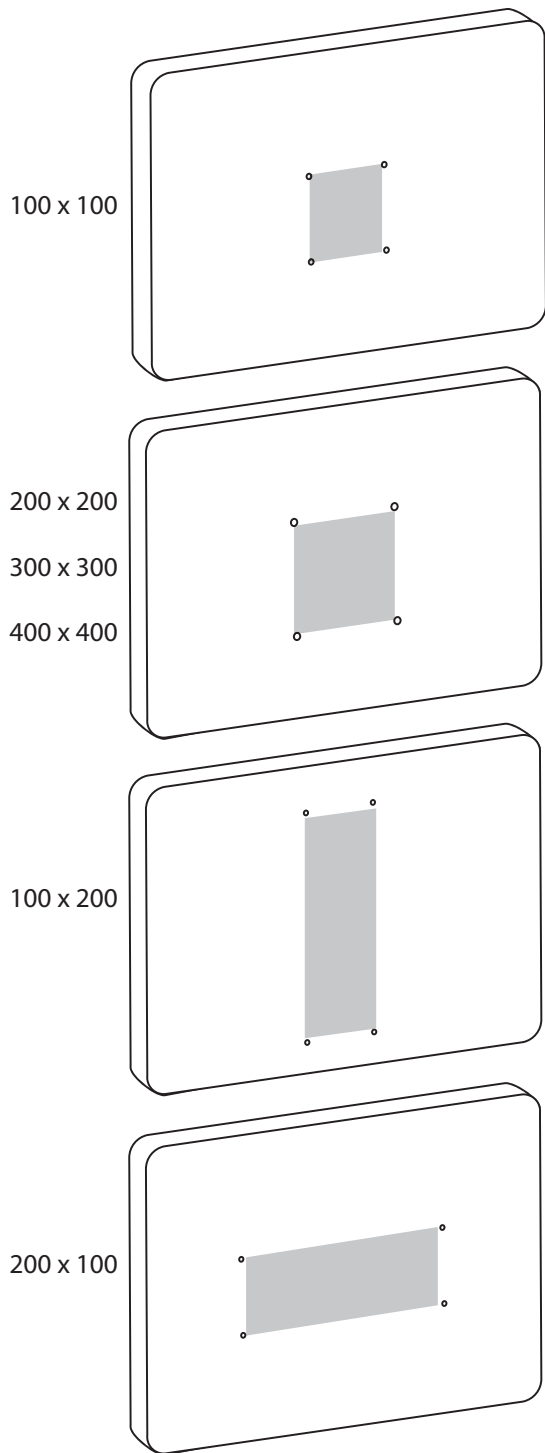
Tokyo, Japan
www.ergotron.com
apaccustomerservice@ergotron.com

Worldwide OEM Sales

www.ergotron.com
info.oem@ergotron.com



Glide LD



© 2013 Ergotron, Inc. rev. 07/23/2013 DIM-GlideLD Content is subject to change without notification

Americas Sales and Corporate Headquarters

St. Paul, MN USA
(800) 888-8458
+1-651-681-7600
www.ergotron.com
sales@ergotron.com

EMEA Sales

Amersfoort, The Netherlands
+31 33 45 45 600
www.ergotron.com
info.eu@ergotron.com

APAC Sales

Tokyo, Japan
www.ergotron.com
apaccustomerservice@ergotron.com

Worldwide OEM Sales

www.ergotron.com
info.oem@ergotron.com

