

Screen
27" - 42"



Capacity
12 - 30 lbs
(5.5 - 13.6 kg)



Lift
≥10"
(25.4mm)



Tilt
TV/Display
10°



Pan
TV/Display
95°

Extension
180°



Rotation
Yes



VESA
100 x 100
100 x 200
200 x 200
200 x 100
300 x 300
400 x 400

Table of Contents

TV/Display Specifications	1
Safety Hazard Symbol Review	2
Components	2
Tools	3
Determine mounting location	4
Mount Glide to wall:	
Option A: wood stud walls	5
Option B: solid concrete walls	6
Attach TV/Display to Glide	7
Option A: no VESA adapter needed	9
Option B, C, D: with VESA adapters	9
Quick Release	12
Route Cables	12
Test Range of Motion	13
Adjust according to applied load and desired user force	14

www.ergotron.com



User's Guide - English
 Guía del usuario - Español
 Manuel de l'utilisateur - Français
 Gebruikersgids - Nederlands
 Benutzerhandbuch - Deutsch
 Guida per l'utente - Italiano
 Användarhandbok - svenska
 ユーザーガイド : 日本語
 用户指南 : 汉语

Touchboards





205 Westwood Ave, Long Branch, NJ 07740
 Phone: 866-94 BOARDS (26273) / (732)-222-1511
 Fax: (732)-222-7088 | E-mail: sales@touchboards.com



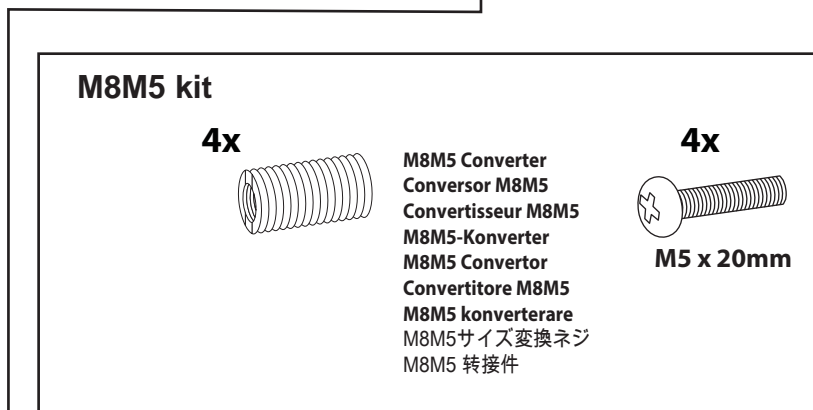
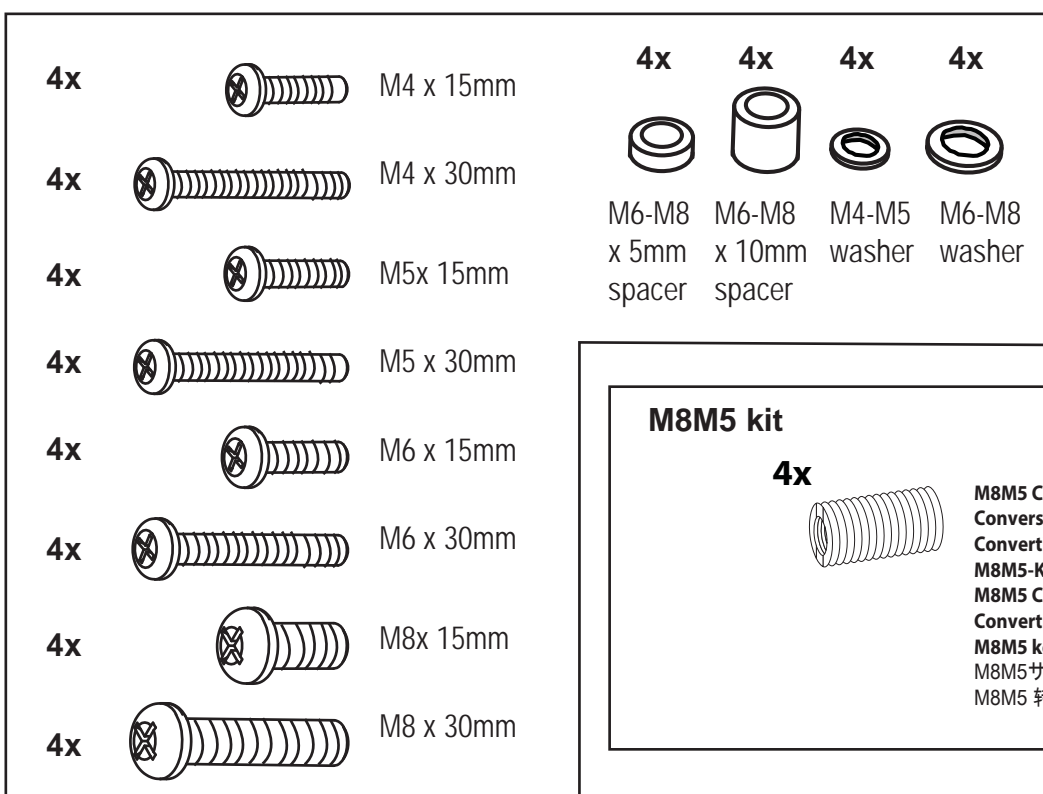
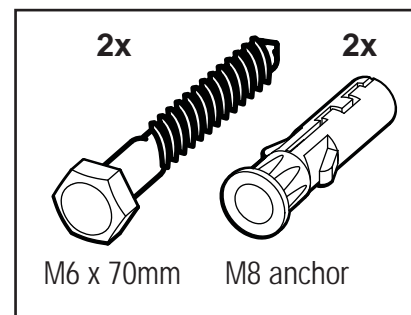
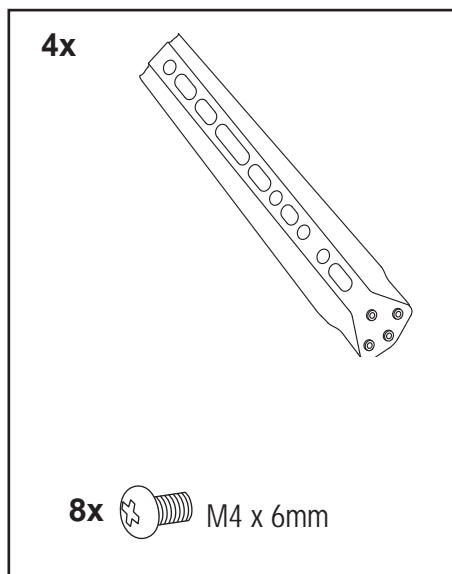
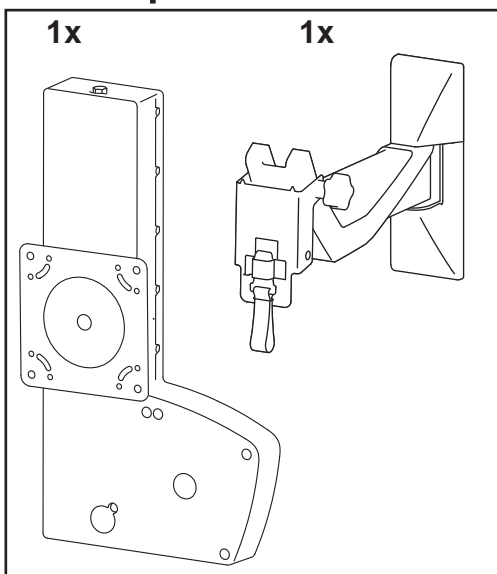
www.ergotron.com
 USA 1-800-888-8458
 Europe +31 (0)33-45 45 600
 China 86-769-86018920

Hazard Symbols Review

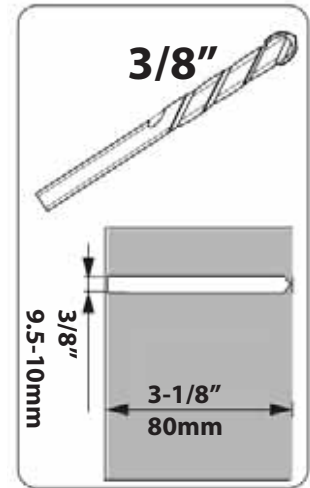
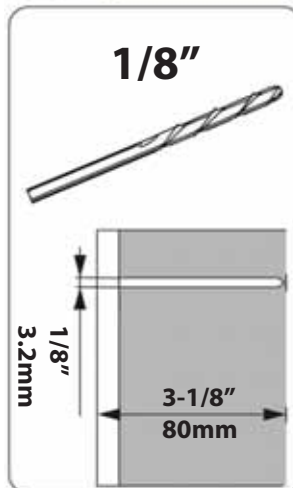
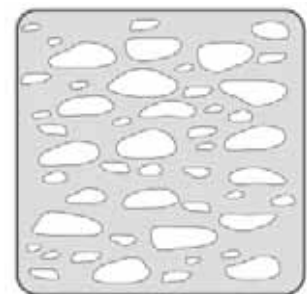
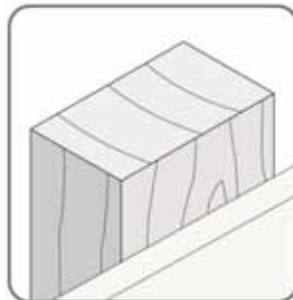
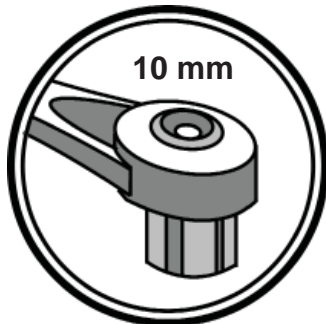
These symbols alert users of a safety condition that demands attention. All users should be able to recognize and understand the significance of the following Safety Hazards if encountered on the product or within the documentation. Children who are not able to recognize and respond appropriately to Safety Alerts should not use this product without adult supervision!

Symbol	Signal Word	Level of Hazard
	NOTE	A NOTE indicates important information that helps you make better use of this product.
	CAUTION	A CAUTION indicates either potential damage to hardware or loss of data and tells you how to avoid the problem.
	WARNING	A WARNING indicates either potential for property damage, personal injury, or death.
	ELECTRICAL	An Electrical indicates an impending electrical hazard which, if not avoided, may result in personal injury, fire and/or death.

Components



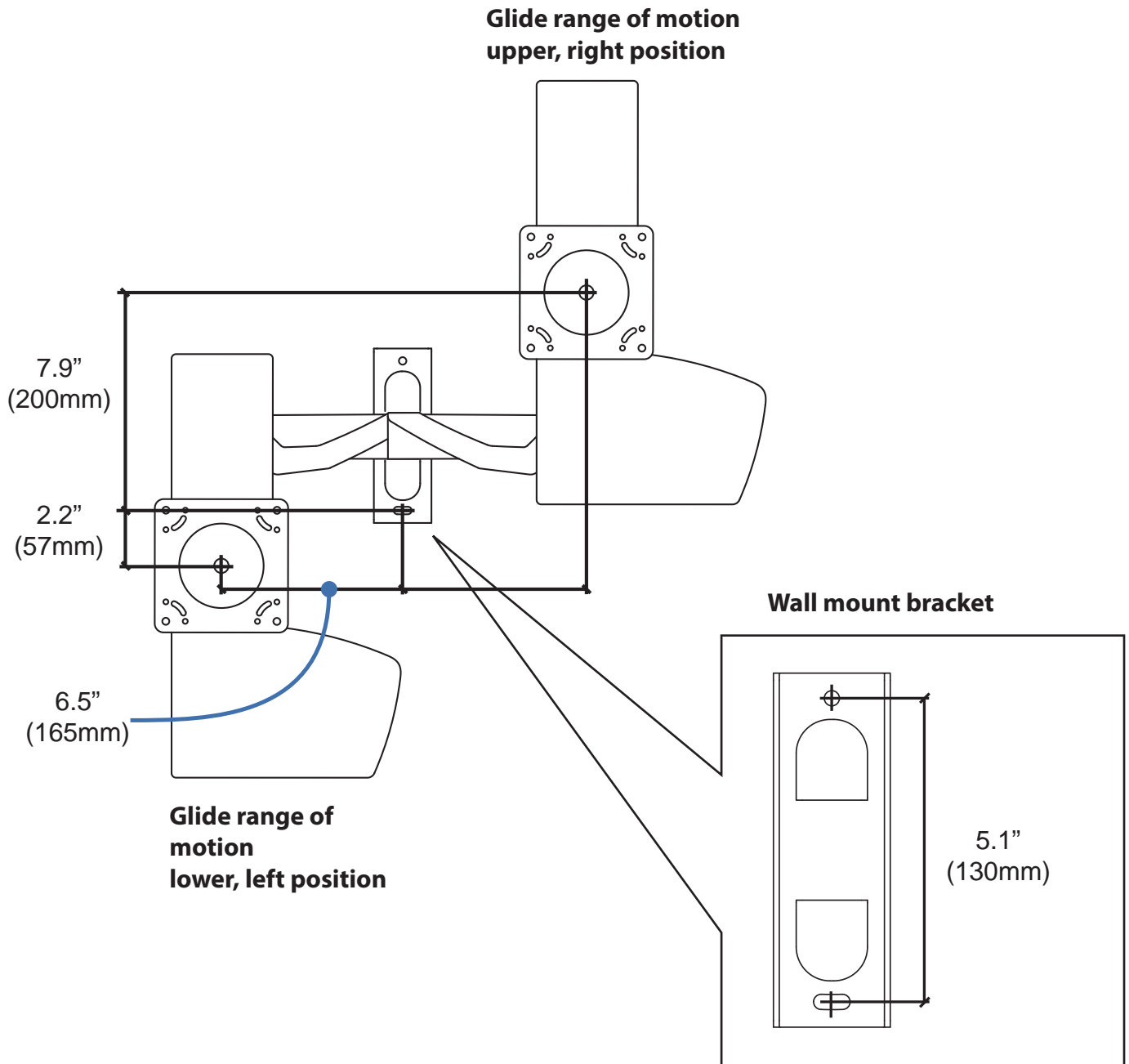
Tools Needed



1 Determine mounting location.

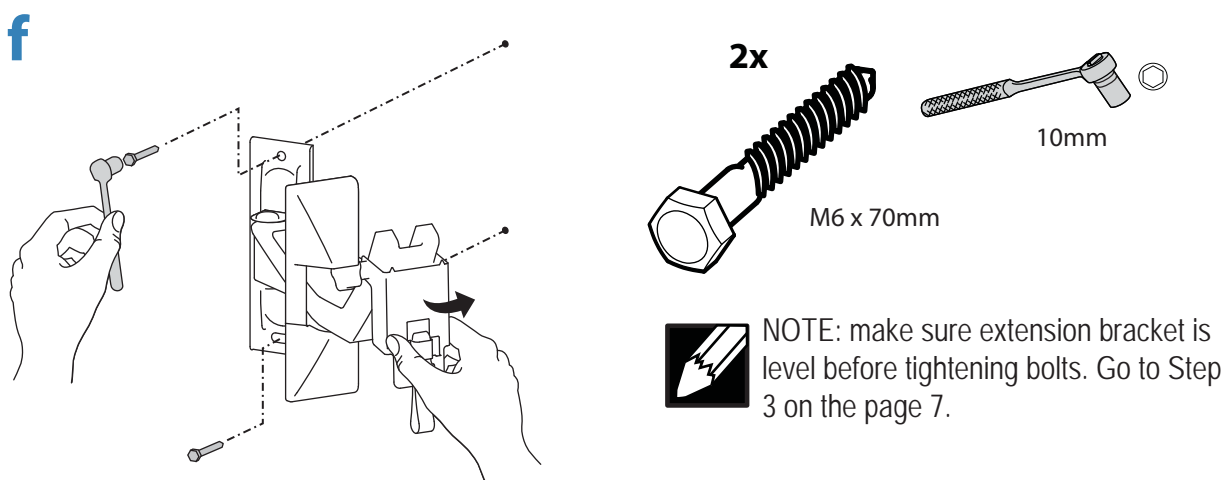
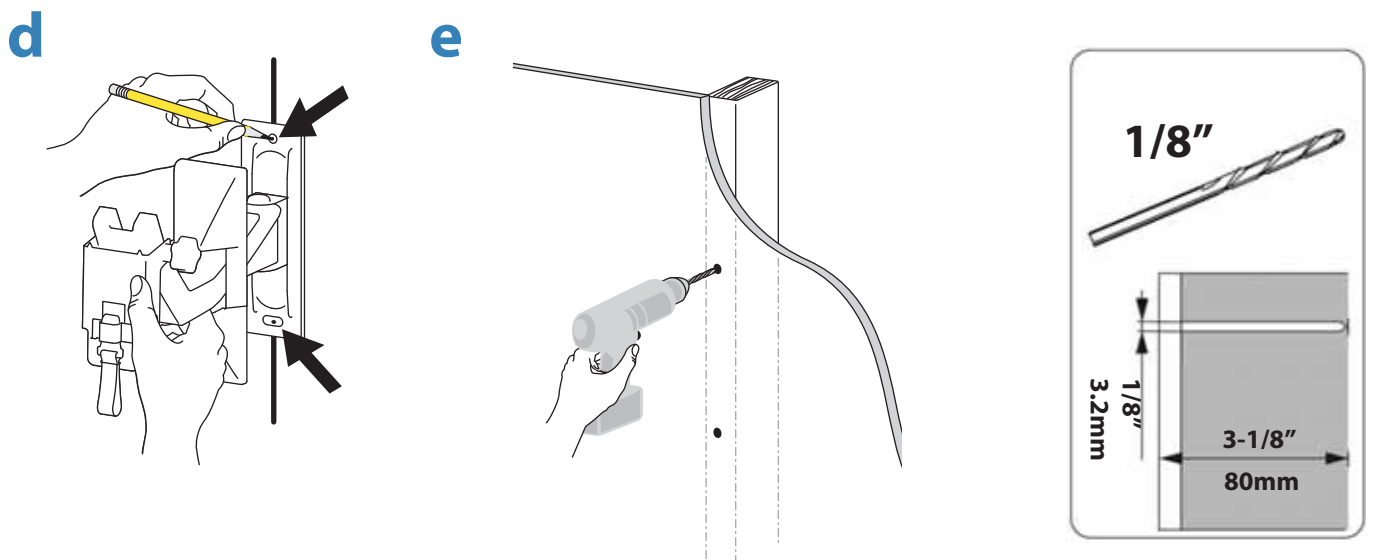
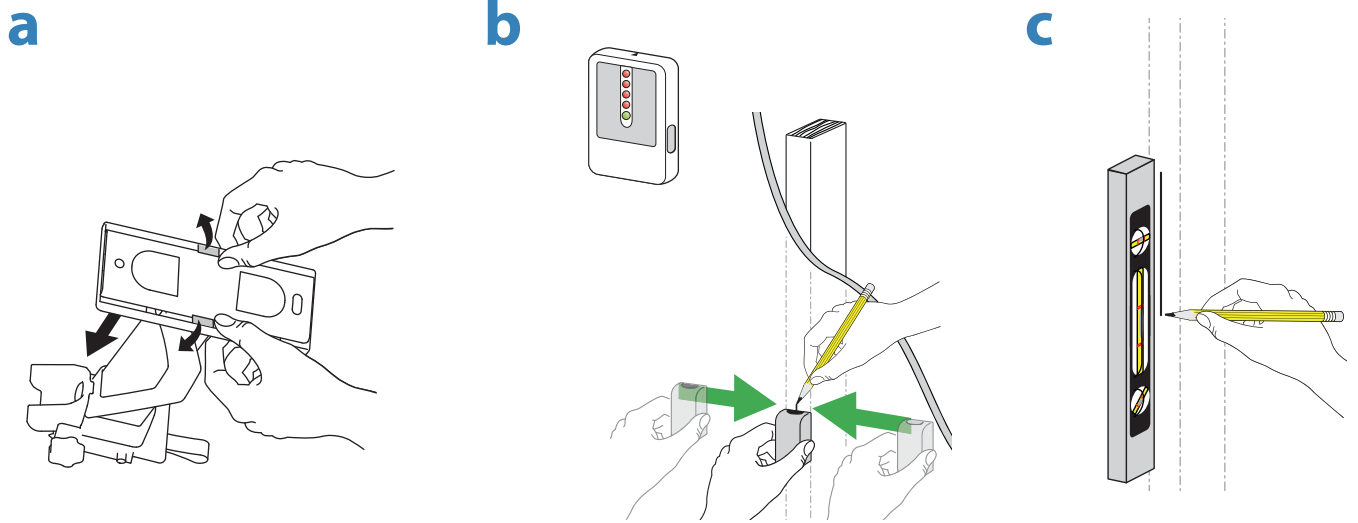
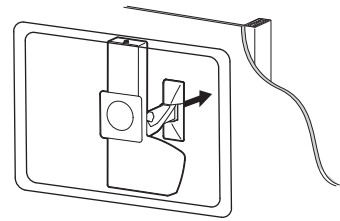
CAUTION: Before proceeding with this installation consult your TV/large display product guide for manufacturer recommendations on choosing a mounting location that will ensure optimum TV/large display performance. Location considerations might include: TV/large display height and viewing angle - based on height and distance of seating, room dimensions and size of TV/large display; access to power outlets; cable connections for speakers and other devices; protection from glare and heat, (windows, lamps, fireplace, air ducts) and vibration.

Locate the wall mount bracket on the wall using the dimensions below, as a guide.



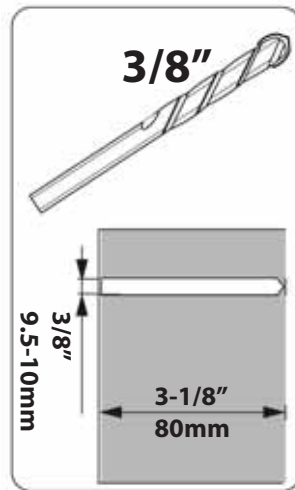
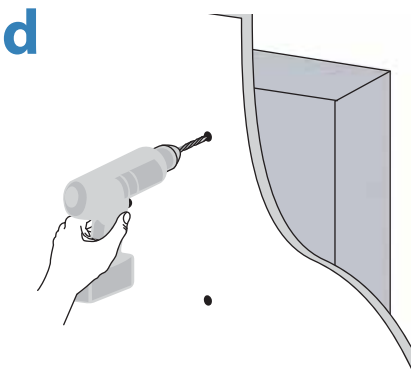
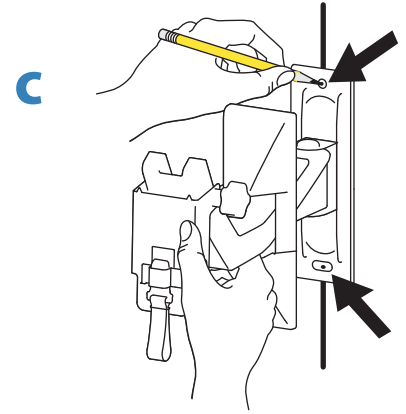
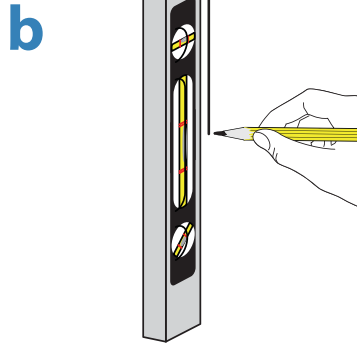
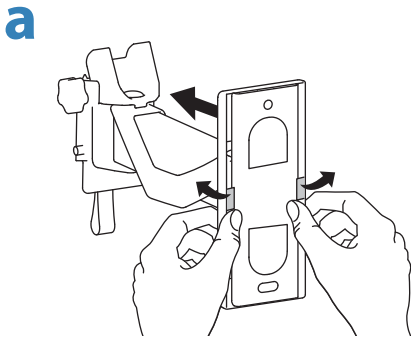
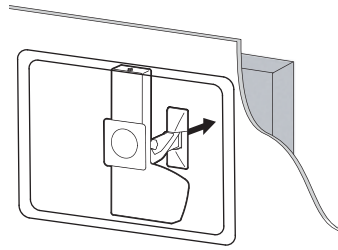
ENGLISH

2 Mount extension bracket Option A: wood stud walls



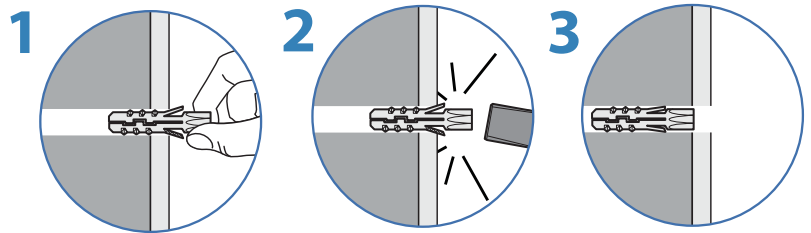
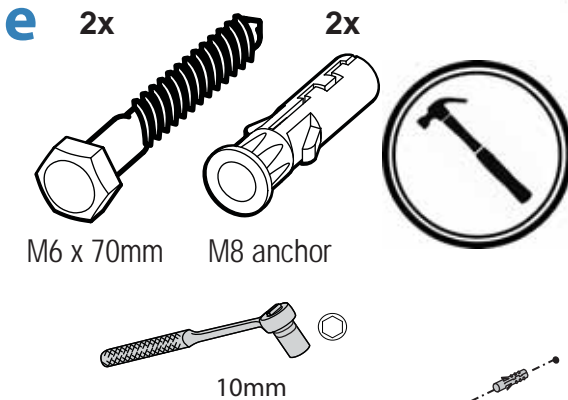
2 Mount extension bracket

Option B: solid concrete walls



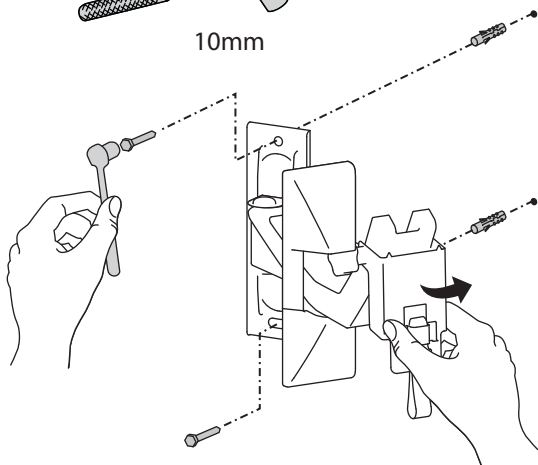
WARNING:

Mounting holes must be at least 3-1/8" (80mm) deep and must be located within solid concrete, not mortar or covering material. If you drill into an area of concrete that is not solid, reposition mounting holes until both anchors can be fully inserted into solid concrete!



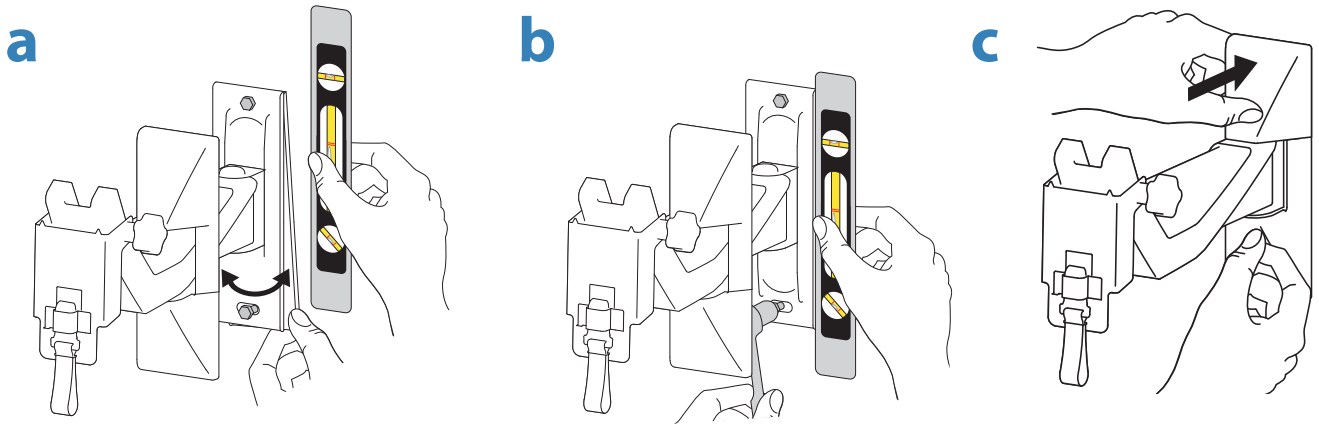
WARNING:

Anchors that are not fully set in solid concrete will not support the applied load resulting in an unstable, unsafe condition which could lead to personal injury and/or property damage. Consult a construction professional if you have any doubt about what this means in regard to your particular situation.

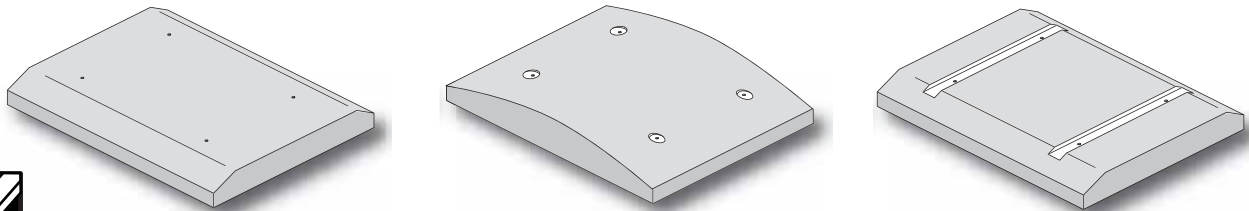


NOTE: make sure extension bracket is level before tightening bolts. Go to Step 3 on the page 7.

3 Ensure the extension bracket is level.



4 Determine TV/large display mount fasteners



NOTE: If a stand is already attached to your TV/large display, remove it according to TV/large display manufacturer directions. Place the display on a clean, flat, padded surface or, if you prefer, lean the TV/large display against a stable, vertical surface.

Several sizes of screws and spacers have been provided for mounting the Glide brackets to your TV/large display—choose those that best match the depth and diameter of the mounting holes on the back of your TV/large display, along with the design of the area surrounding the mounting holes (Flat, Curved or Inset).

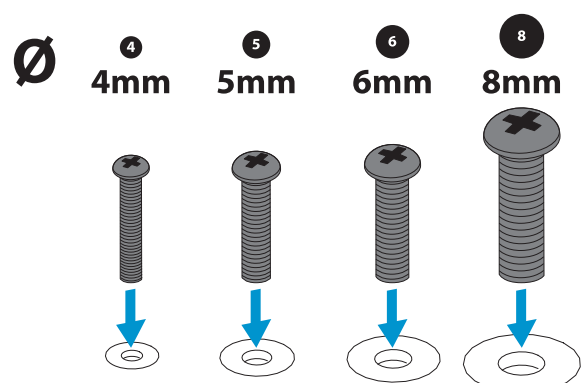
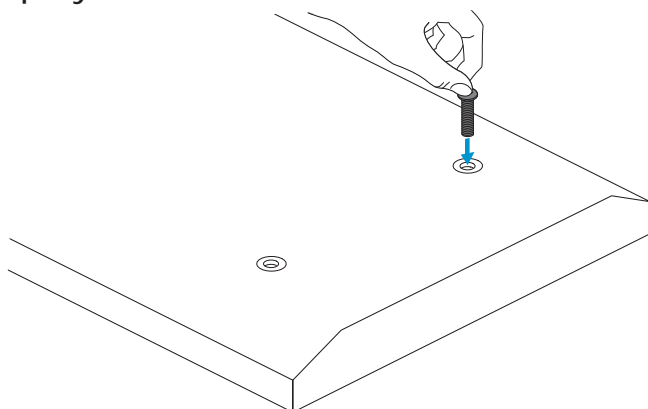
TV/Display Style

If your TV/large display has a curved or inset mounting hole configuration, you may need to use the provided spacers or washers with the screws.

Hole Depth and Diameter

Four sets of display bracket screws have been provided, each of a different diameter: 4mm, 5mm, 6mm, and 8mm. Compare the screws with the diameter of the mounting holes at the back of your TV/large display to find the same size. **NOTE:** Washer A is provided for use with the 4mm and 5mm screws while Washer B works with 6mm and 8mm screws.

Test screw diameters and lengths until you find the right match to your TV/large display.

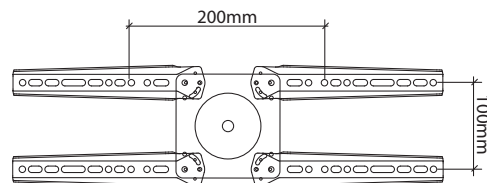
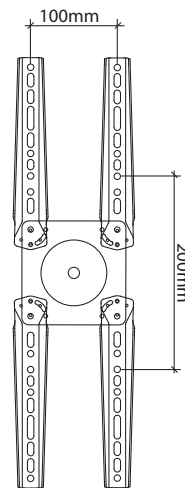
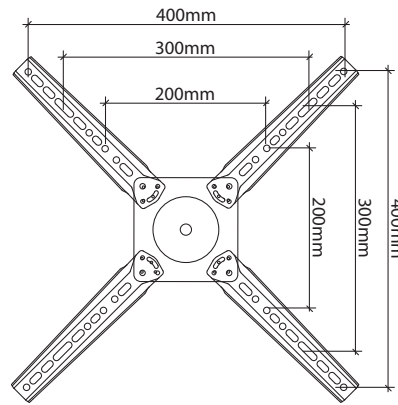
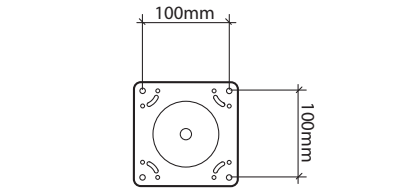
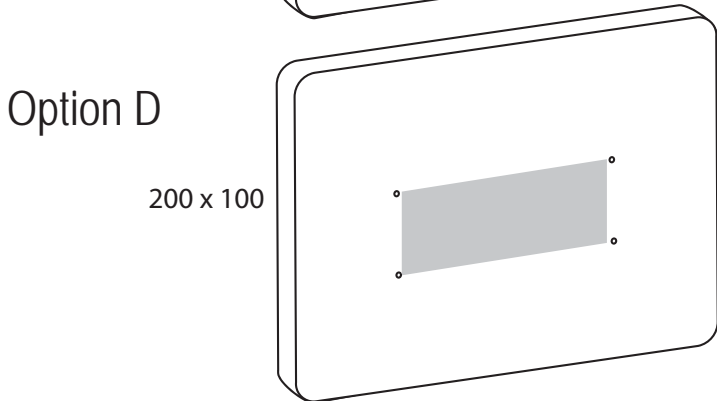
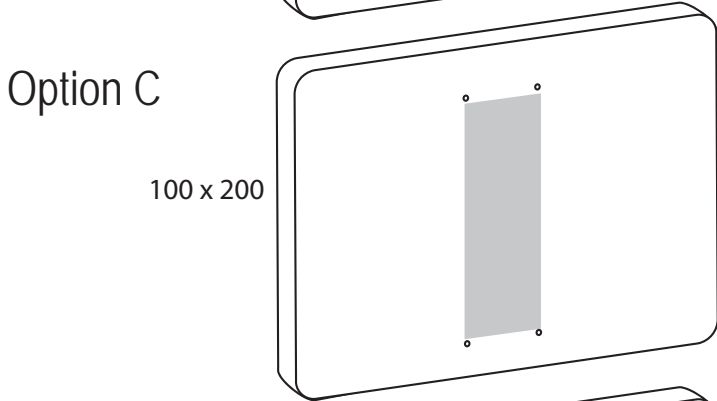
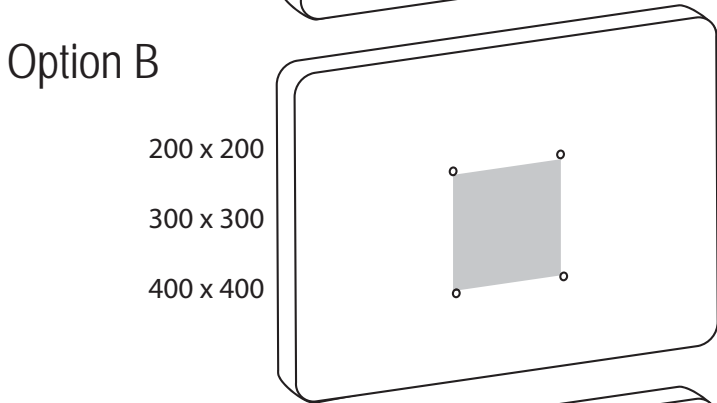
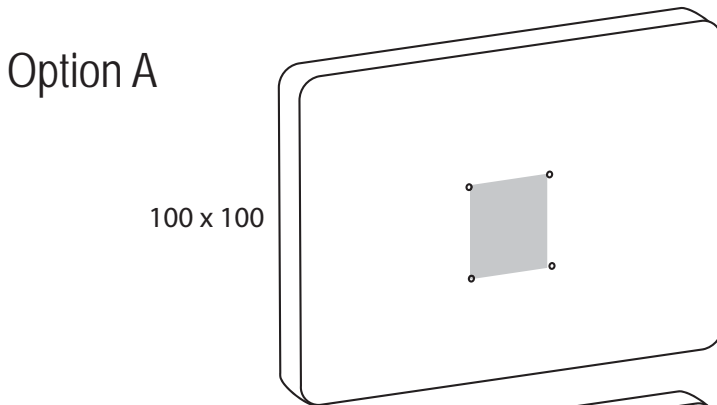


5 Determine if VESA adapters are needed between TV/display and Glide LD

Check the shape and size of your TV/large display mounting hole configuration against the VESA configurations shown below. Choose VESA option that matches and continue to Step 6 on the next page.

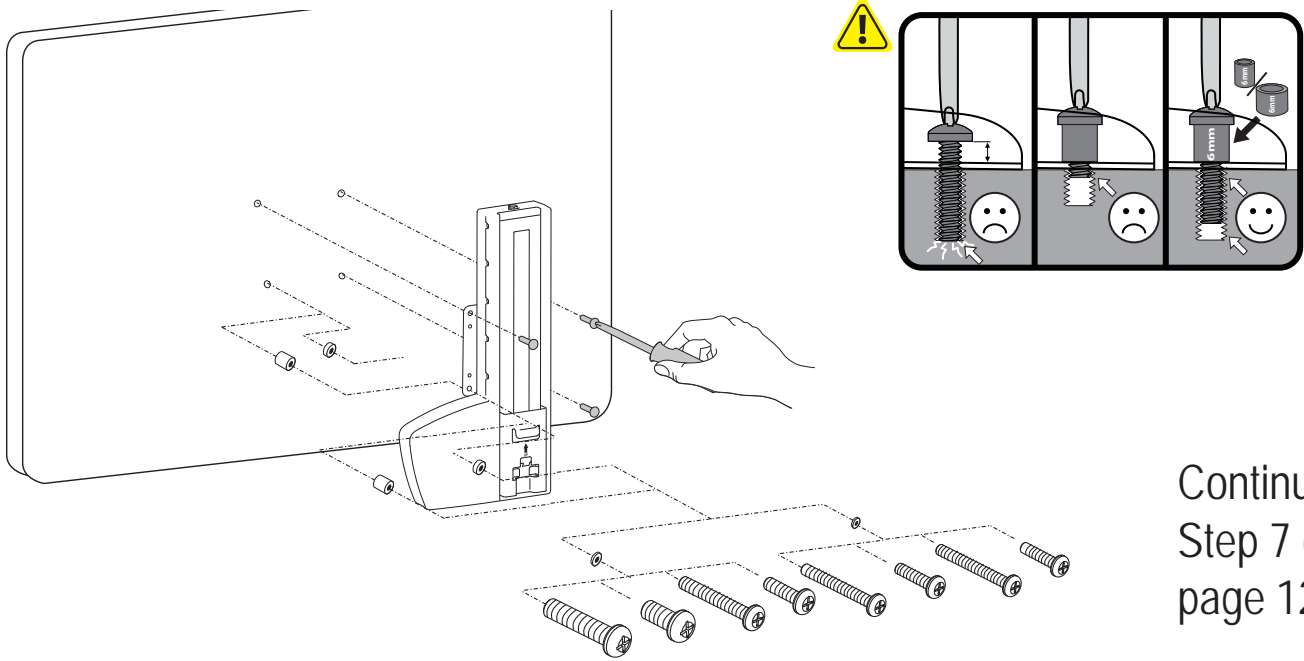
TV/large display Mounting Hole Configurations

VESA Mounting Hole Configurations



ENGLISH

6 Option A: Attach TV/large display to the Glide LD using fasteners determined in step 4 and spacers if needed



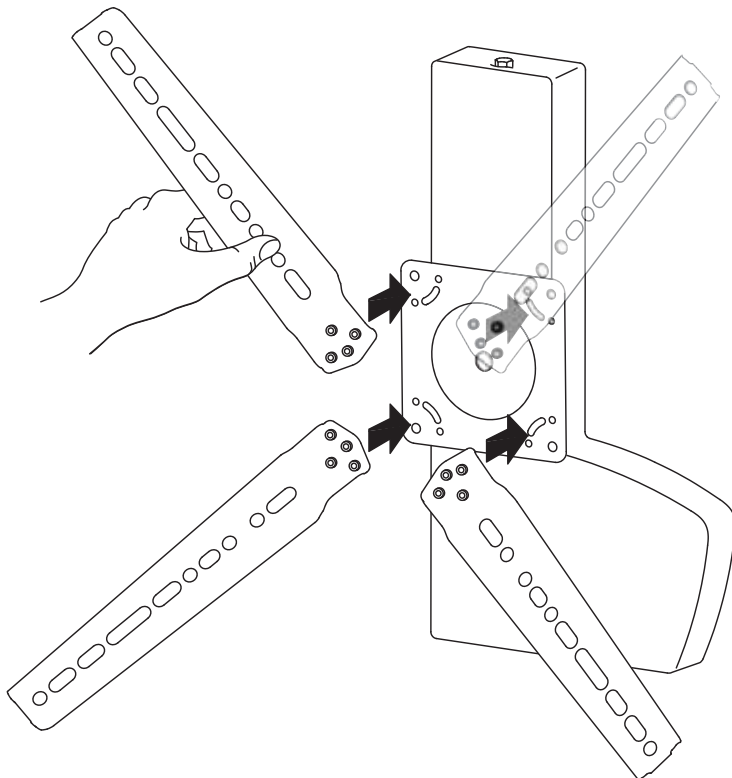
6 Options B, C, and D

Attach VESA Adapters to Glide.



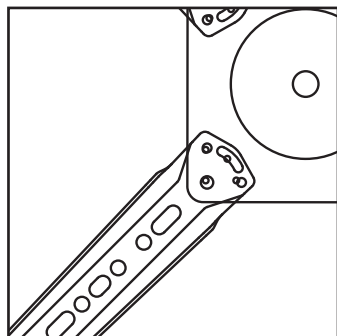
205 Westwood Ave, Long Branch, NJ 07740
Phone: 866-94 BOARDS (26273) / (732)-222-1511
Fax: (732)-222-7088 | E-mail: sales@touchboards.com

ENGLISH

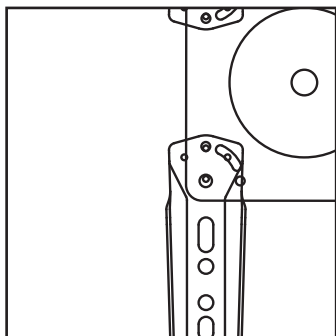


Step 6 details continued on the next page.

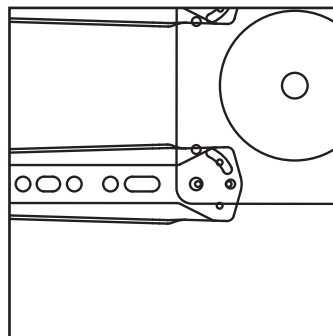
VESA Mounting Hole Configurations



Option B

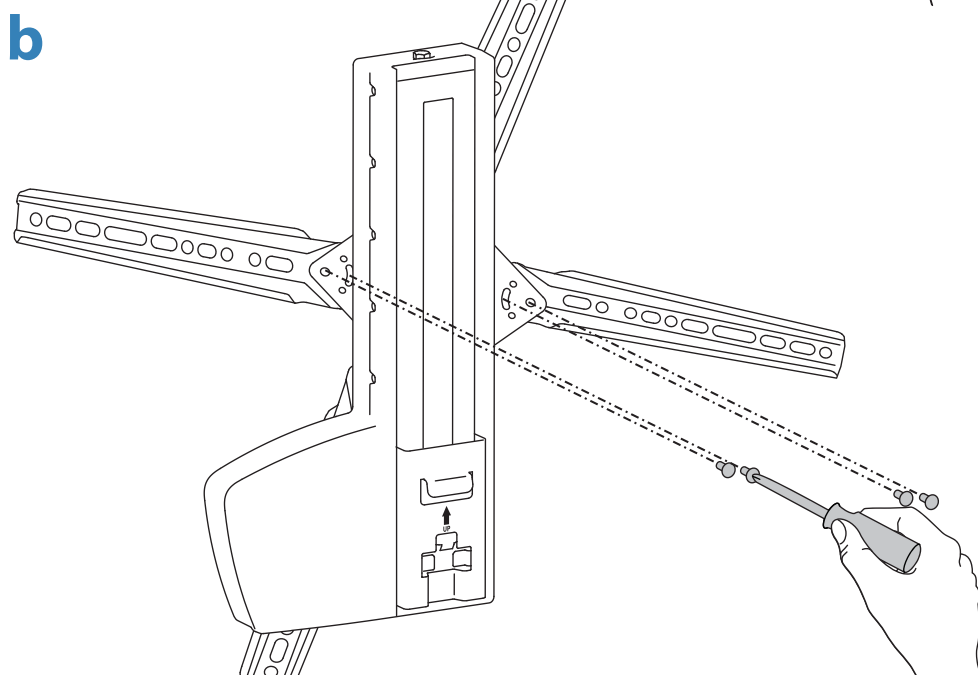
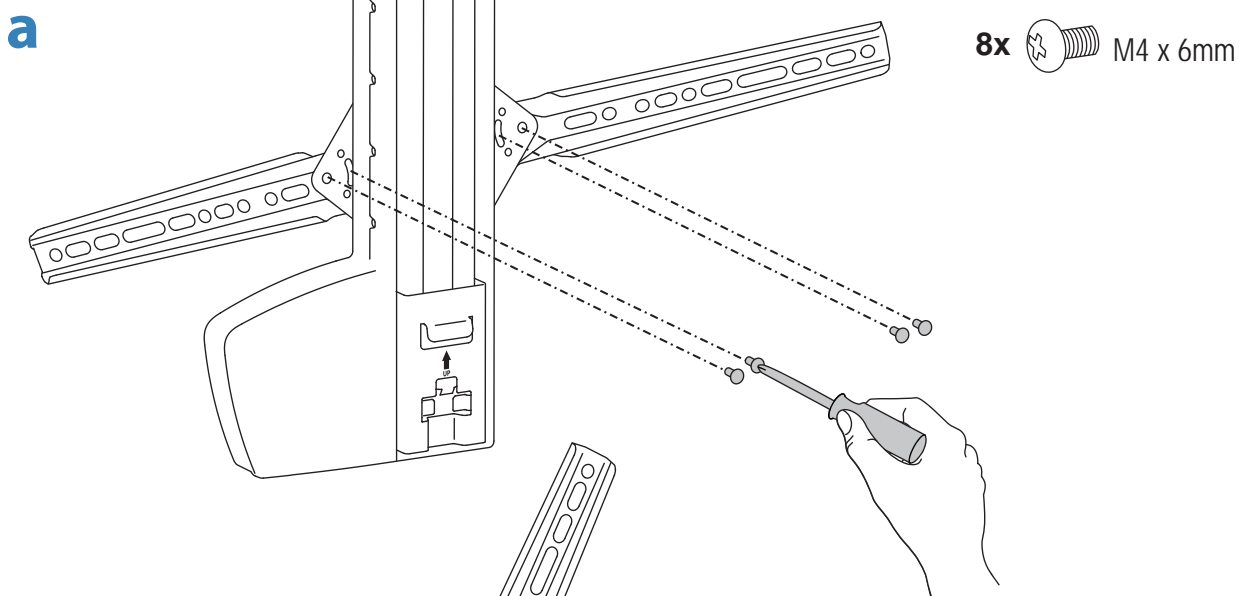


Option C



Option D

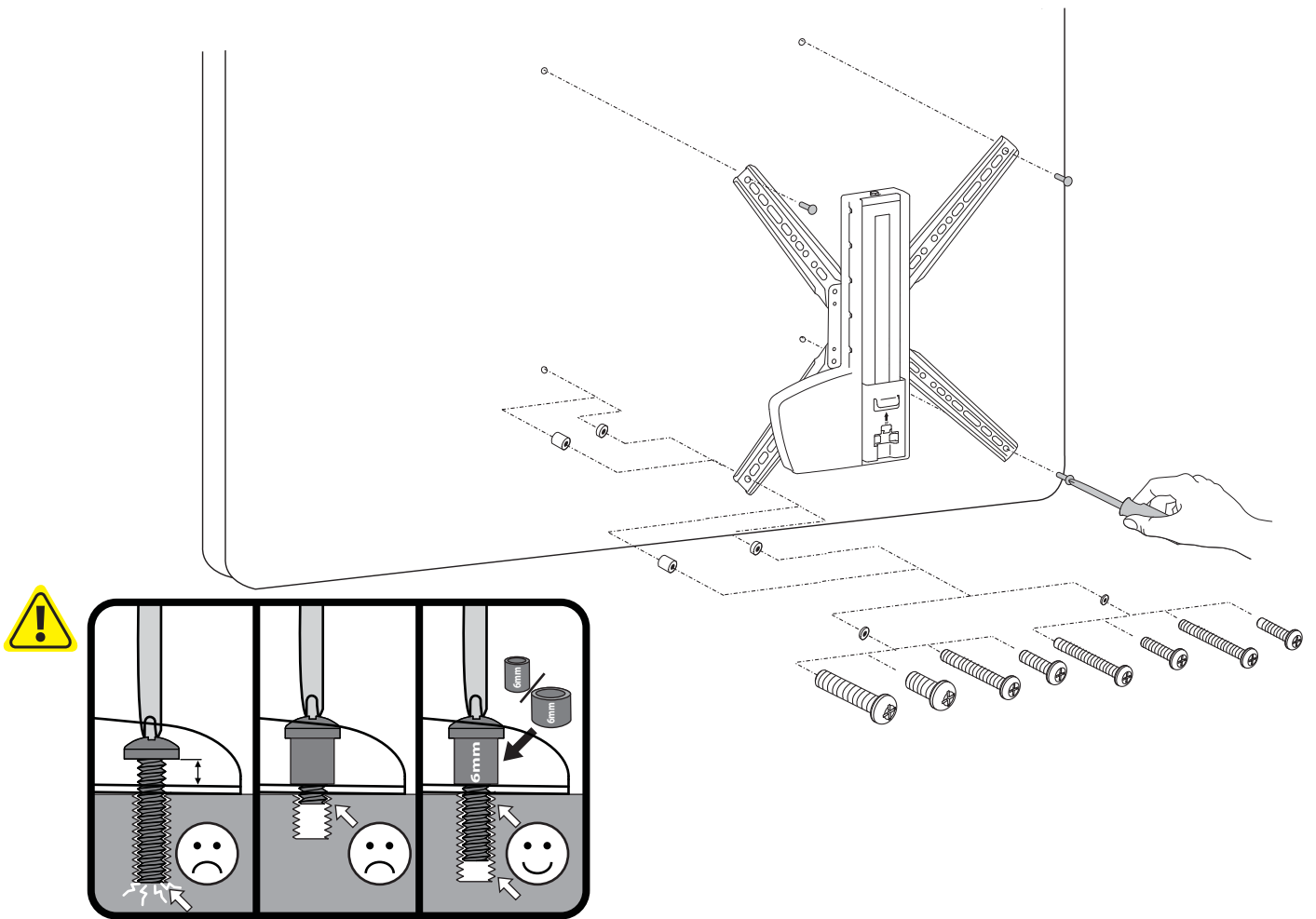
Rotate VESA plate to access mounting holes.



Step 6
continued
on the
next
page.

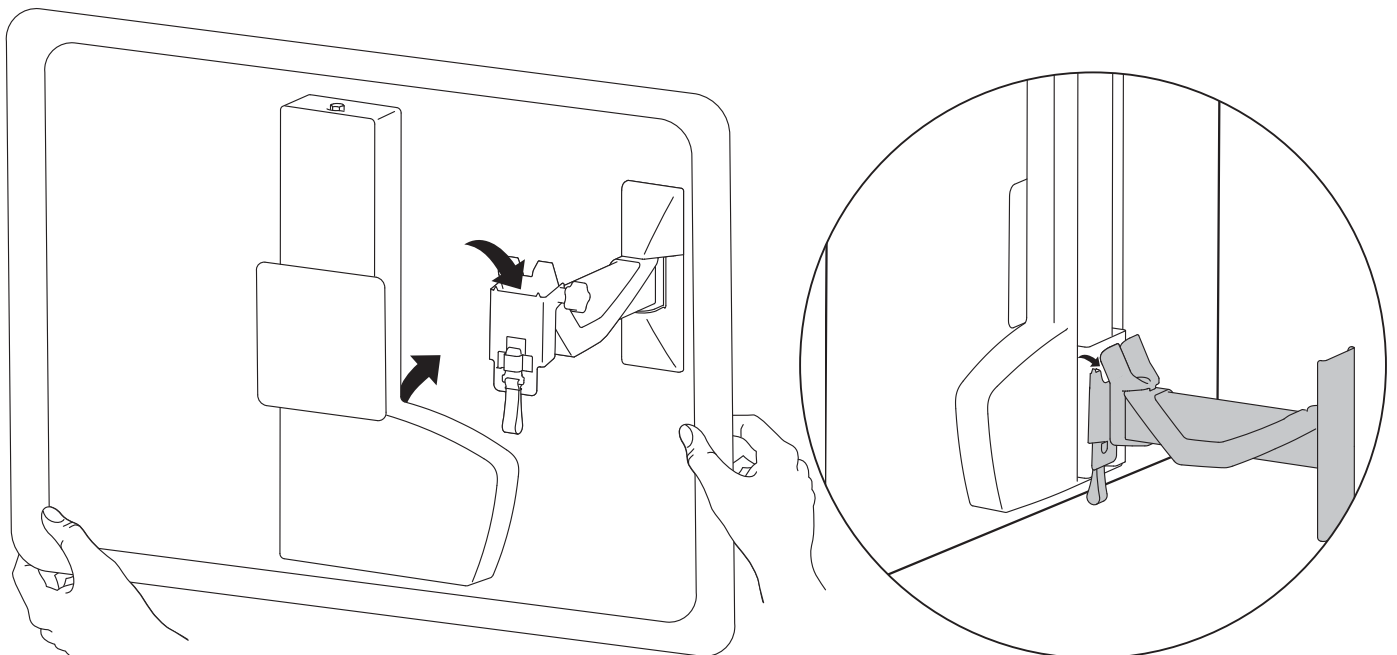
6 Options B, C, and D (cont.)

- C** Attach TV/large display to the Glide LD using fasteners determined in step 4 and spacers if needed



ENGLISH

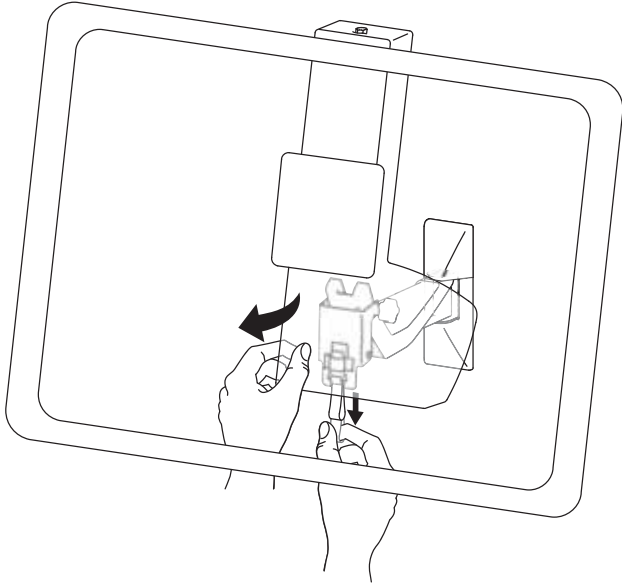
- 7** Mount the Glide LD (with attached TV/large display) to extension bracket on wall.



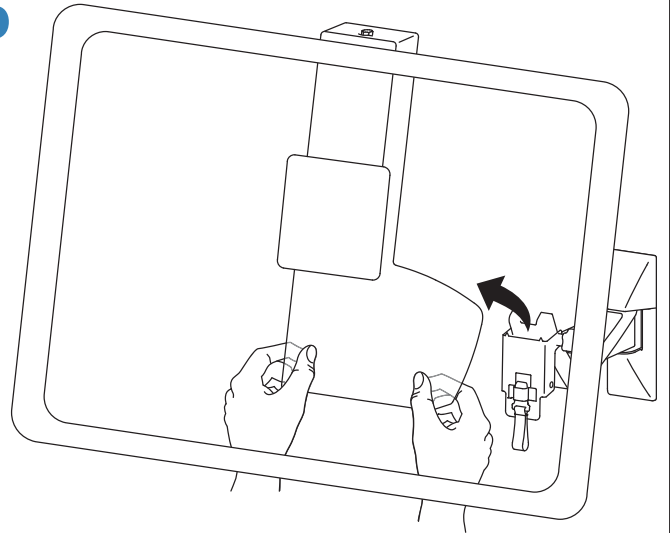


Quick-release instructions: to remove the Glide LD from the wall, pull down on the strap below the extension.

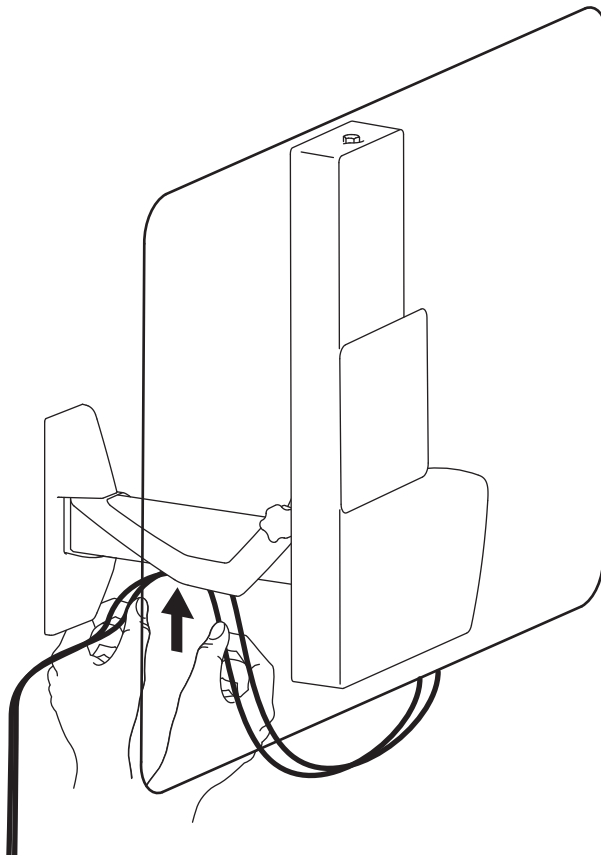
a



b



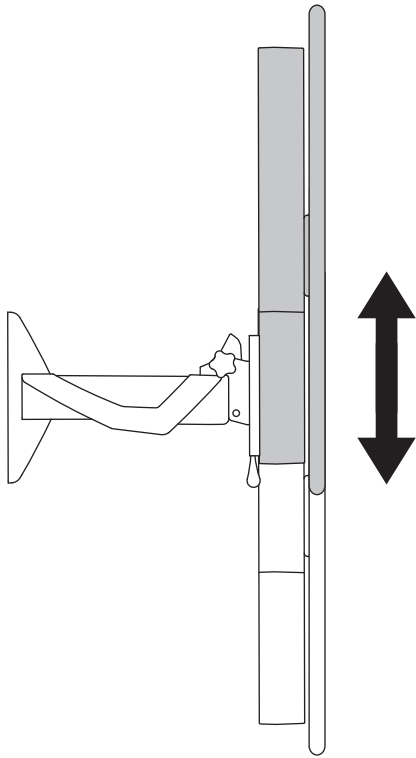
8



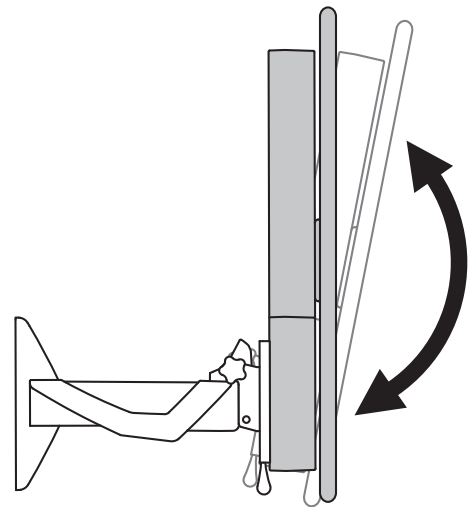
9 Test for smooth operation throughout full range of motion.

If movements are too easy or difficult or if the Glide LD does not stay in desired positions, follow the Adjustment instructions on the following pages to create smooth and easy movements.

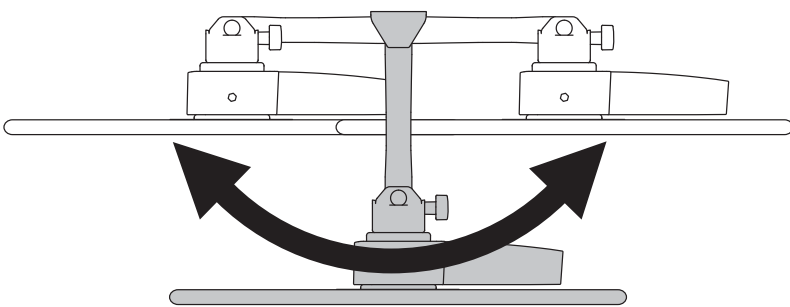
a Lift



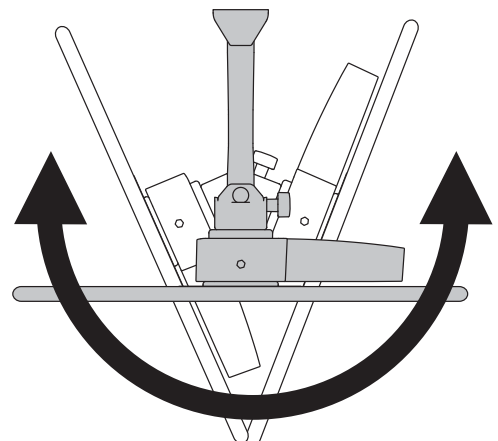
b Tilt



c Pan (TV/display side-to-side with extension)



d Pan (TV/display motion)

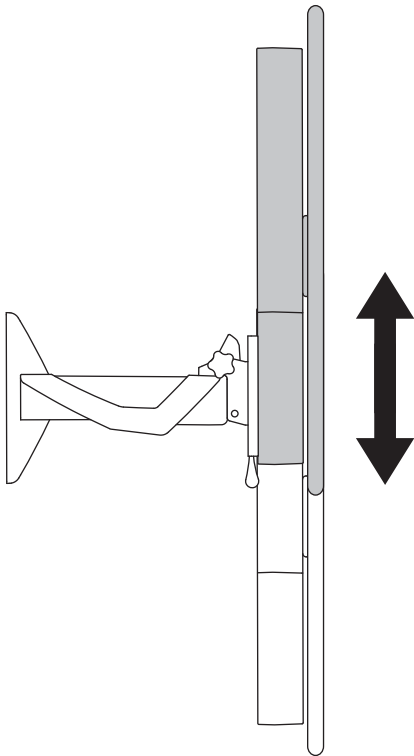




Adjustment Step

Important! You will need to adjust this product after installation is complete. Make sure all your equipment is properly installed on the product before attempting adjustments. This product should move smoothly and easily through the full range of motion and stay where you set it. If movements are too easy or difficult or if product does not stay in desired positions, follow the adjustment instructions to create smooth and easy movements. Depending on your product and the adjustment, it may take many turns to notice a difference. Any time equipment is added or removed from this product, resulting in a change in the weight of the mounted load, you should repeat these adjustment steps to ensure safe and optimum operation.

a Adjust lift up and down.



10mm



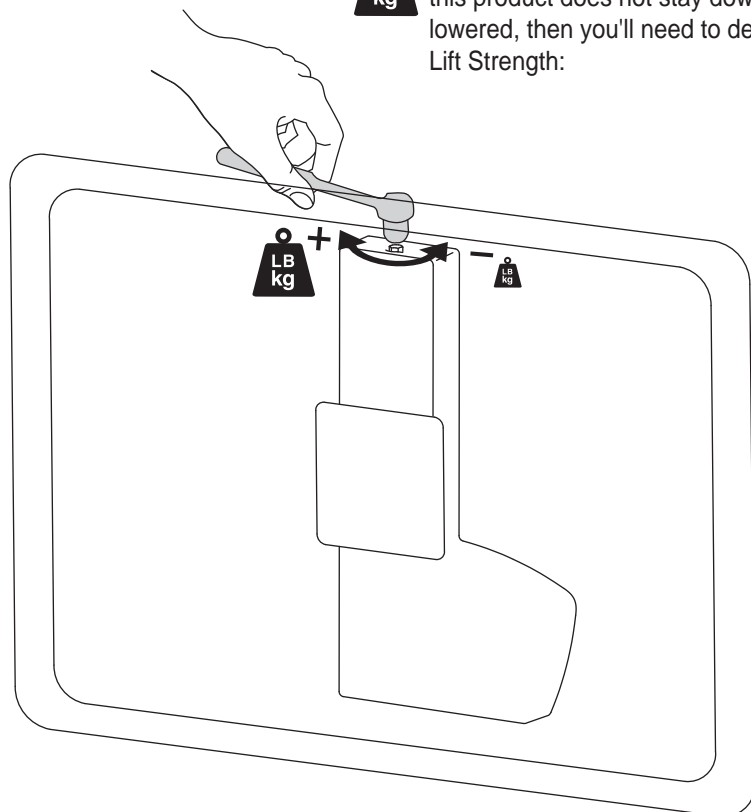
Increase Lift Strength

If the mounted weight is too heavy or this product does not stay up when raised, then you'll need to increase Lift Strength:



Decrease Lift Strength

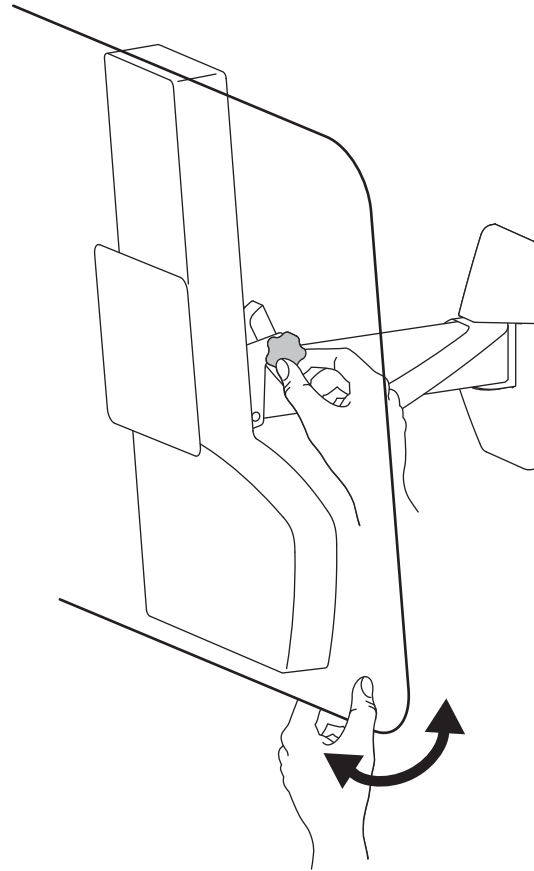
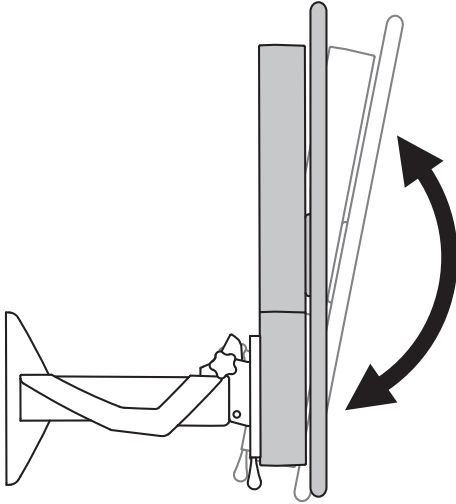
If the mounted weight is too light or this product does not stay down when lowered, then you'll need to decrease Lift Strength:



ENGLISH

b Adjust tilt


To change tilt angle, loosen knob, adjust and tighten knob.



ENGLISH

For service and warranty visit www.ergotron.com

For local customer care phone numbers visit: <http://contact.ergotron.com>



© 2013 Ergotron, Inc.
All rights reserved.

While Ergotron, Inc. makes every effort to provide accurate and complete information on the installation and use of its products, it will not be held liable for any editorial errors or omissions (including those made in the process of translation from English to another language), or for incidental, special or consequential damages of any nature resulting from furnishing this instruction and performance of equipment in connection with this instruction. Ergotron, Inc. reserves the right to make changes in the product design and/or product documentation without notification to its users. For the most current product information, or to know if this document is available in languages other than those herein, please contact Ergotron. No part of this publication may be reproduced, stored in a retrieval system, or transmitted in any form or by any means, electronic, mechanical, photocopying, recording or otherwise without the prior written consent of Ergotron, Inc., 1181 Trapp Road, Eagan, Minnesota, 55121, USA Patents Pending and Patented U.S. & Foreign. Ergotron is a registered trademark of Ergotron, Inc.

Americas Sales and Corporate Headquarters	EMEA Sales
St. Paul, MN USA (800) 888-8458 +1-651-681-7600 www.ergotron.com sales@ergotron.com	Amersfoort, The Netherlands +31 33 45 45 600 www.ergotron.com info.eu@ergotron.com

APAC Sales	Worldwide OEM Sales
Tokyo, Japan www.ergotron.com apaccustomerservice@ergotron.com	www.ergotron.com info.oem@ergotron.com