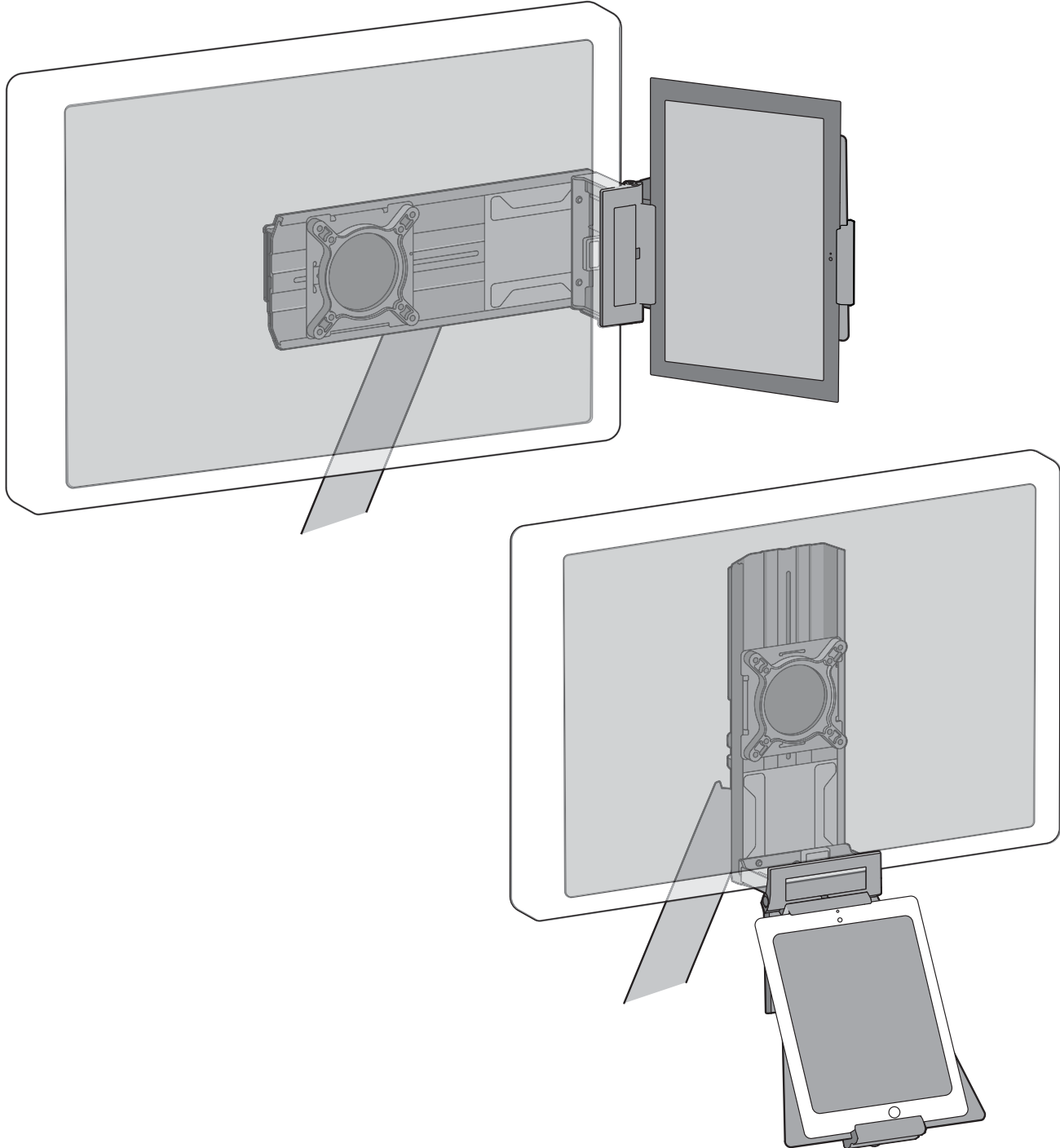


Tandem Tablet Holder for Microsoft Surface



For the latest User Installation Guide please visit: www.ergotron.com



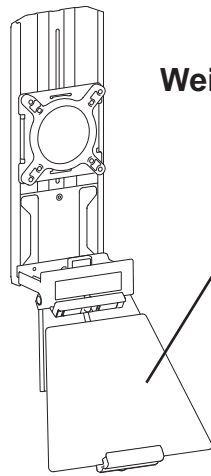
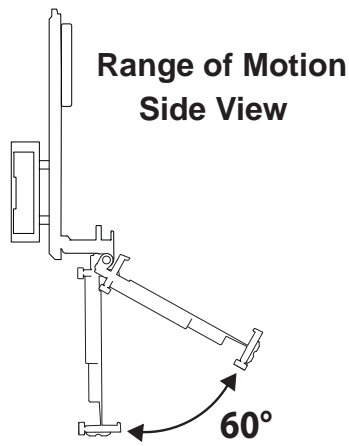
User's Guide - English
Guía del usuario - Español
Manuel de l'utilisateur - Français
Gebruikersgids - Deutsch
Benutzerhandbuch - Nederlands
Guida per l'utente - Italiano
Användarhandbok - svenska
ユーザーガイド : 日本語
用户指南 : 汉语



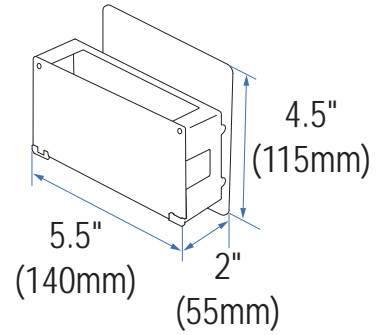
www.ergotron.com

USA 1-800-888-8458
Europe +31 (0)33-45 45 600
China 400-120-3051

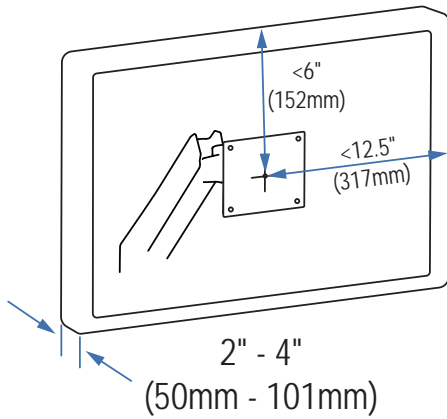
Features & Specifications



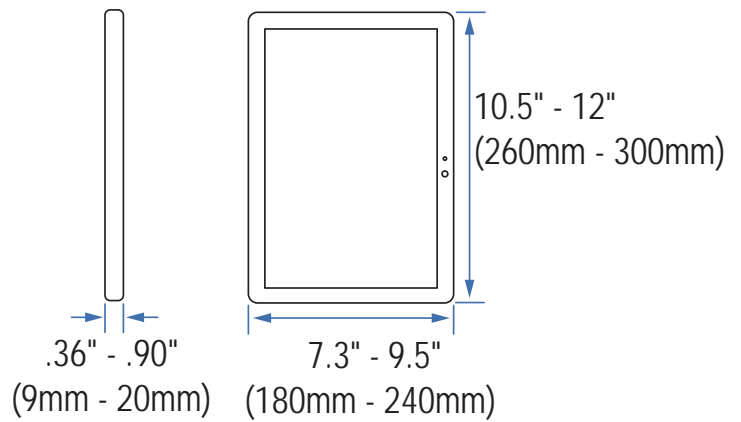
Docking Station Dimensions



Min-Max Monitor Dimensions



Min-Max Tablet Dimensions



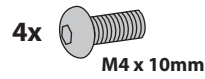
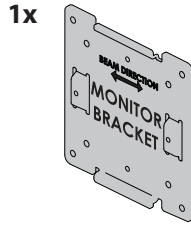
ENGLISH



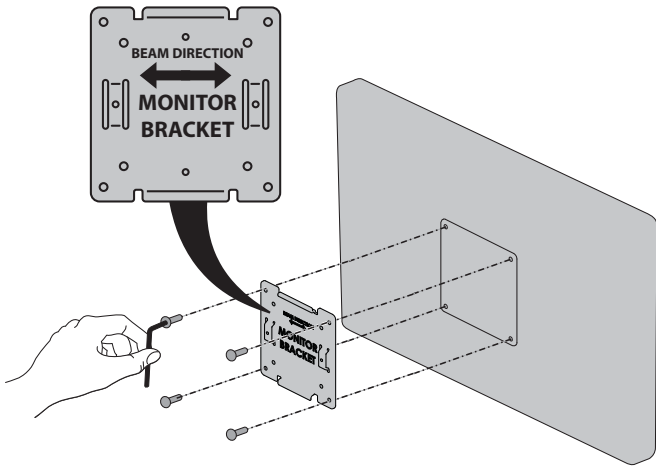
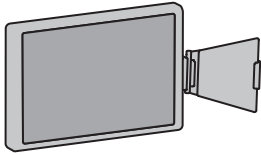
Components

	A	B	C	D
1	1x	1x	12x M4 x 8mm	1x 2.5mm
2	1x	1x	4x M4 x 10mm	1x 4mm
3			4x M4 x 24mm	2x M4 x 10mm
4	1x	1x	6x	1x
5			1x	1x
6			1x	1x
7				

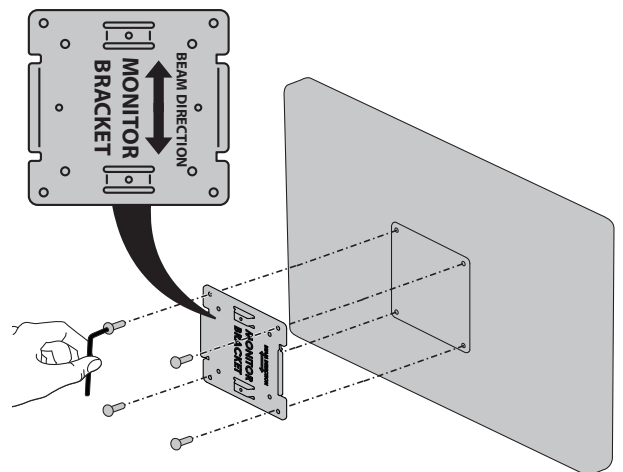
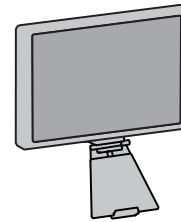
1 Attach mounting brackets to back of monitor.



Side Mounted



Bottom Mounted



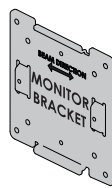
NOTE: Align the arrows on the mounting bracket with the placement of the tablet mount.

Optional Extender

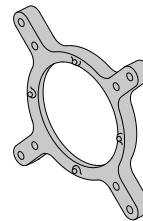


2.5mm

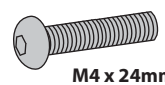
1x



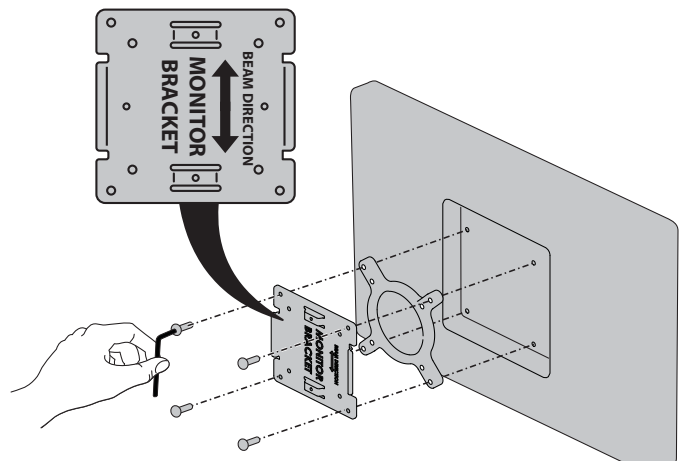
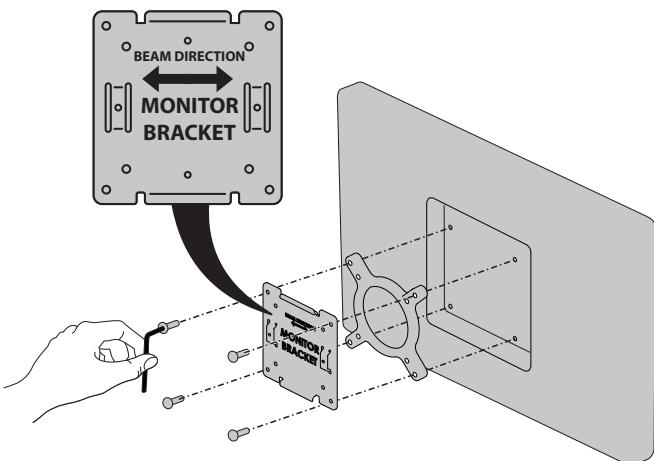
1x



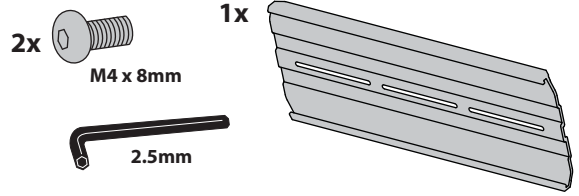
4x



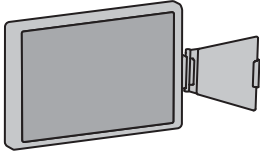
M4 x 24mm



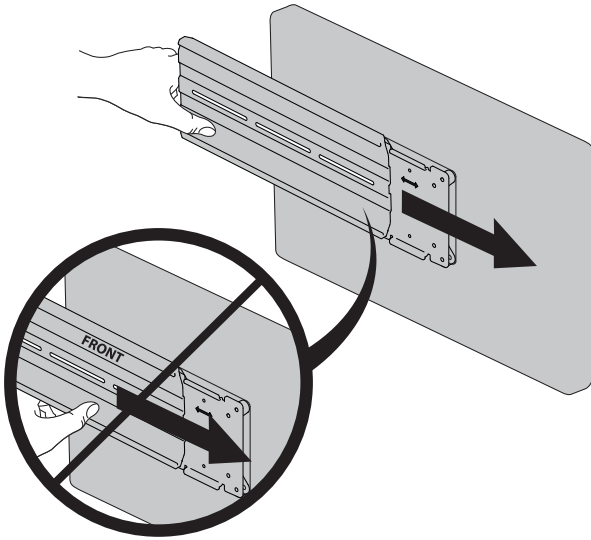
2 Attach mounting brackets to back of monitor.



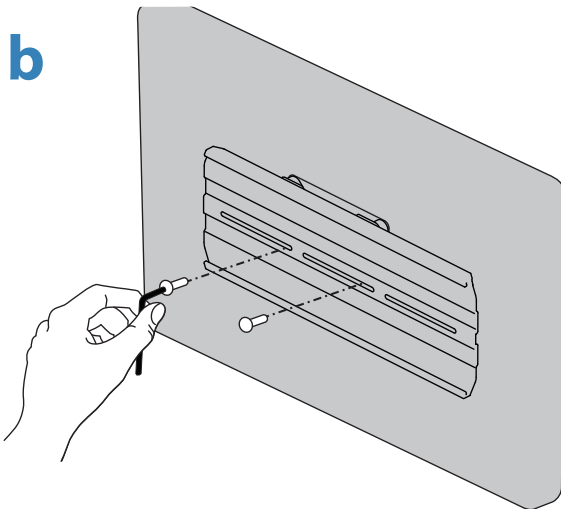
Side Mounted



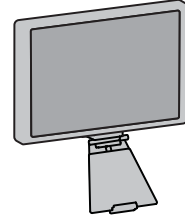
a



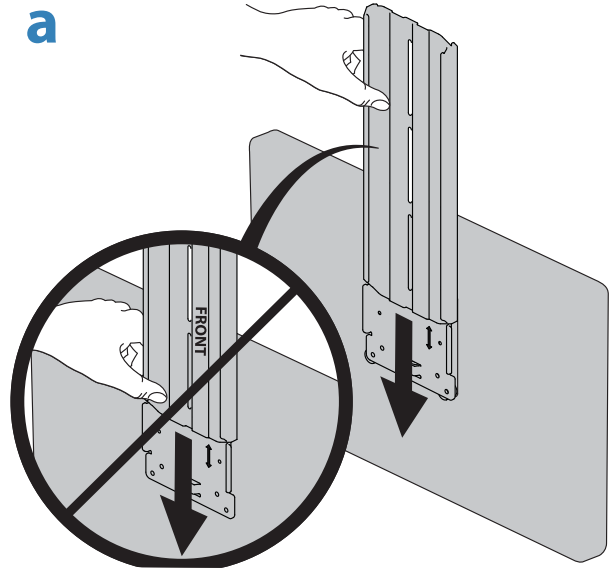
b



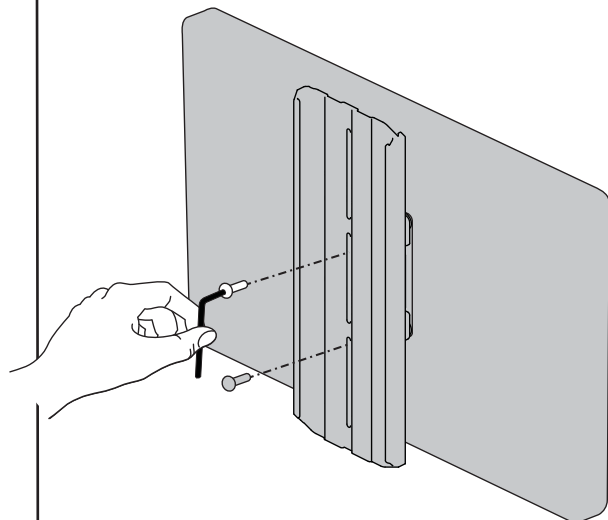
Bottom Mounted



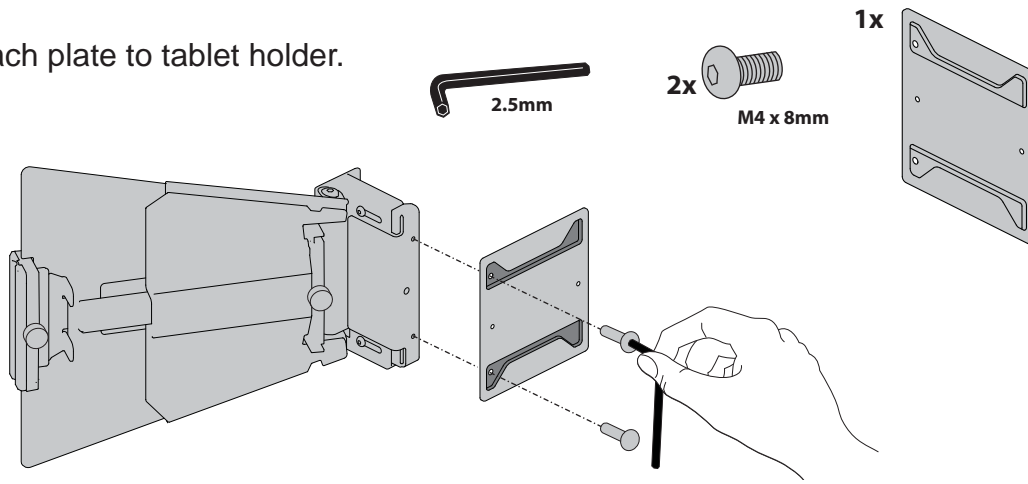
a



b



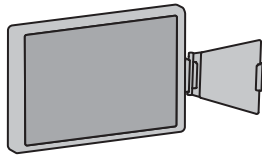
3 Attach plate to tablet holder.



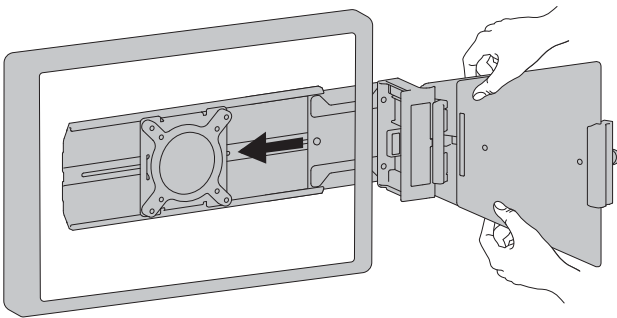
4 Slide tablet holder into mounting bracket.



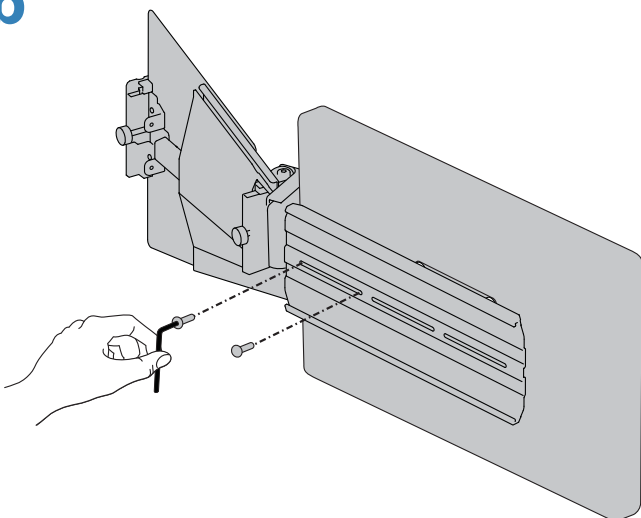
Side Mounted



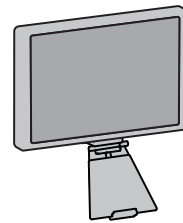
a



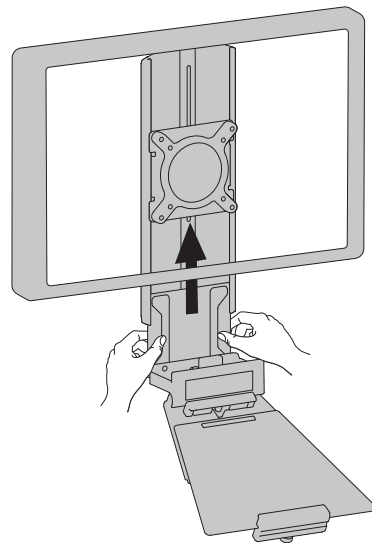
b



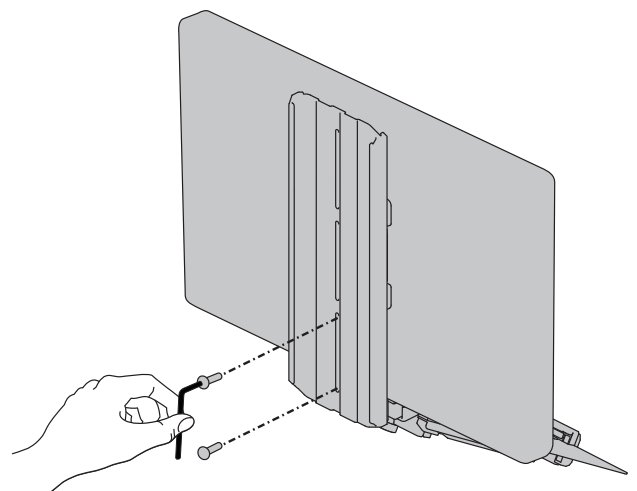
Bottom Mounted



a



b

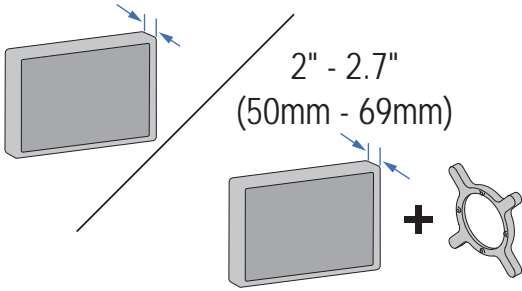


5

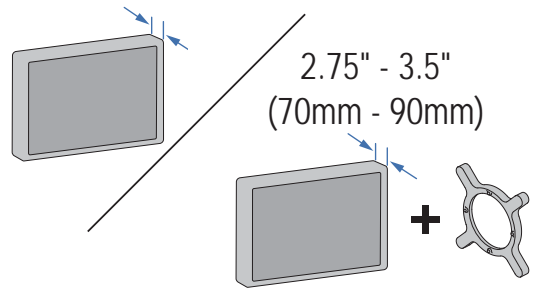
Adjust for monitor thickness.



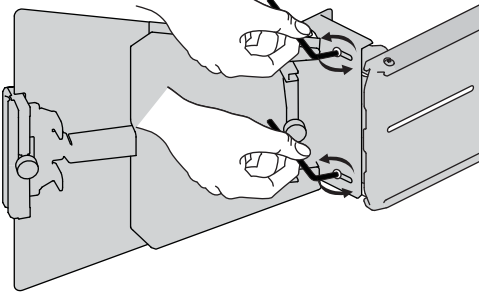
2.5" - 3.18"
(64mm - 81mm)



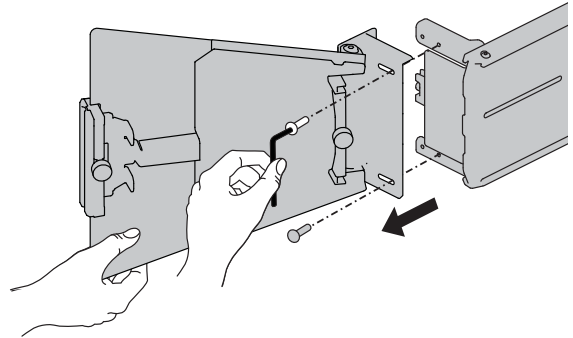
3.25" - 4"
(82mm - 101mm)



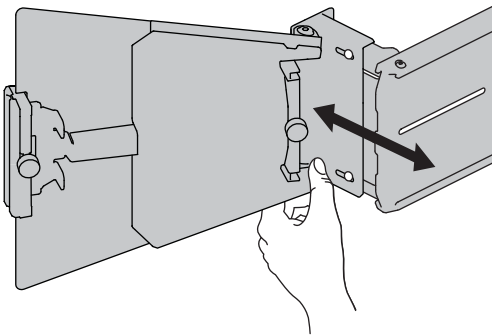
a



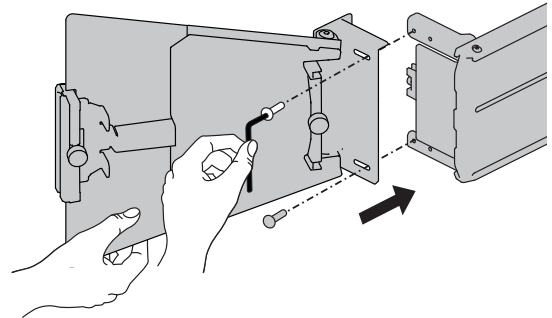
a



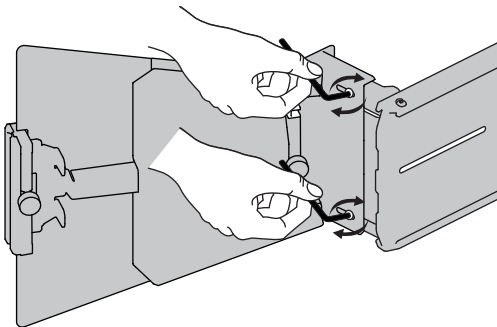
b



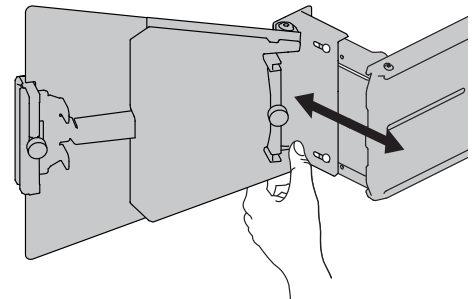
b



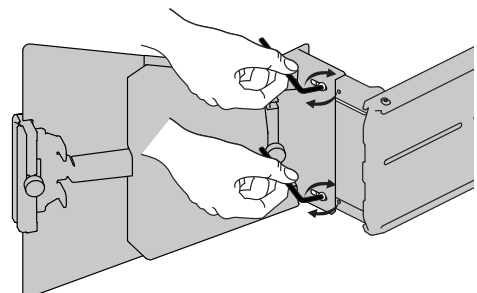
c



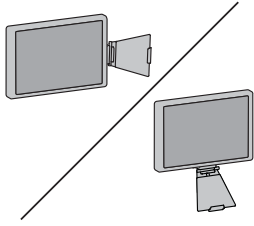
c



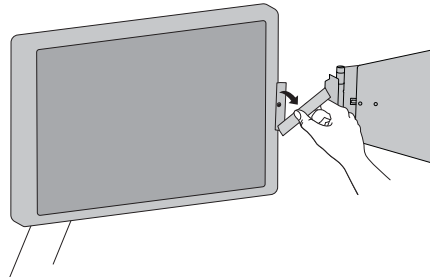
d



6 Secure monitor tablet holder to monitor.

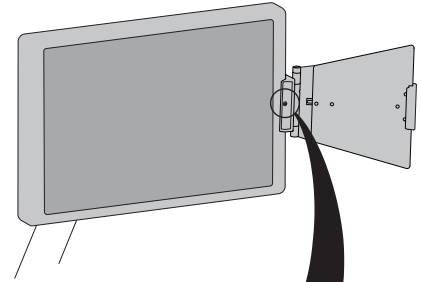


a Remove front cover.

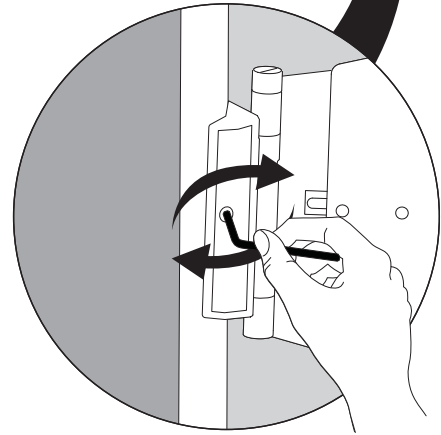
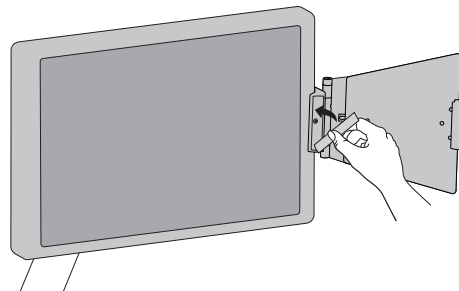


2.5mm

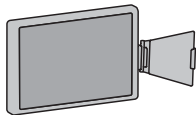
b Tighten screw to clamp to monitor.



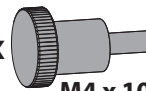
c Attach front cover.



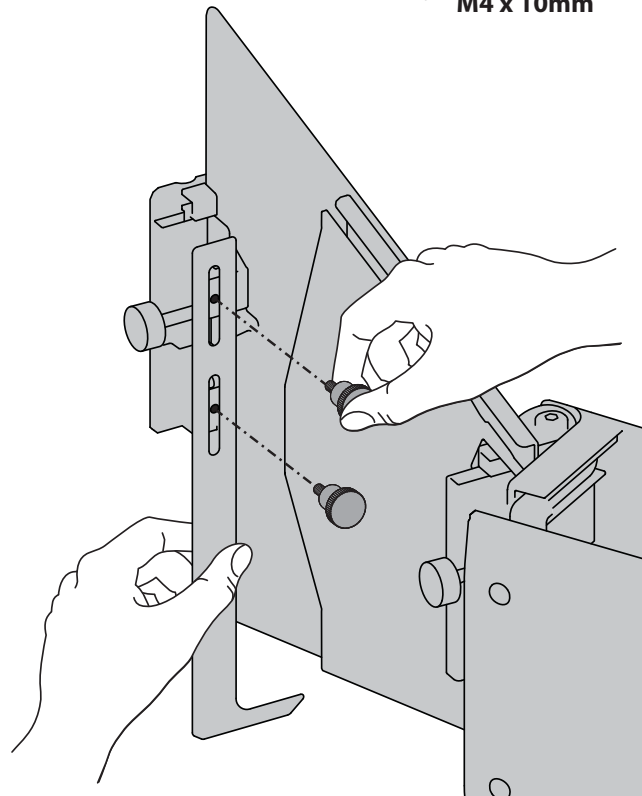
7 Optional: Attach hook if side mounted.



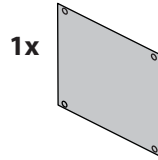
2x



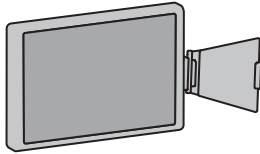
M4 x 10mm



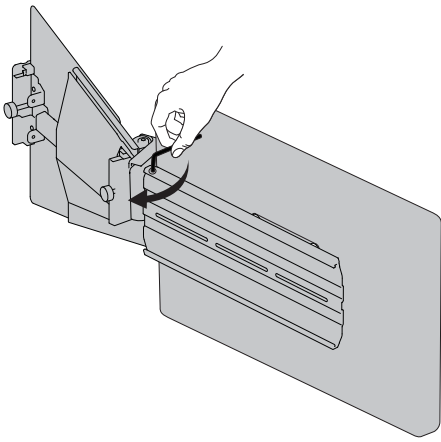
8 Attach to arm.



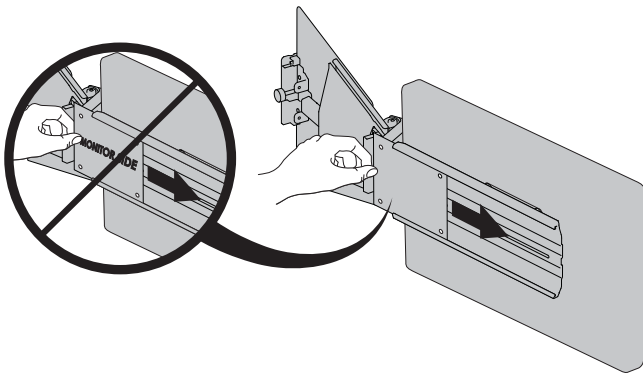
Side Mounted



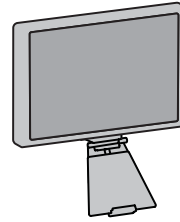
a



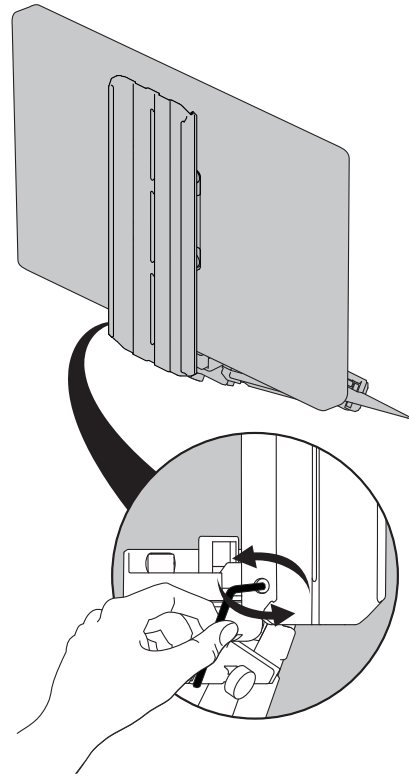
b



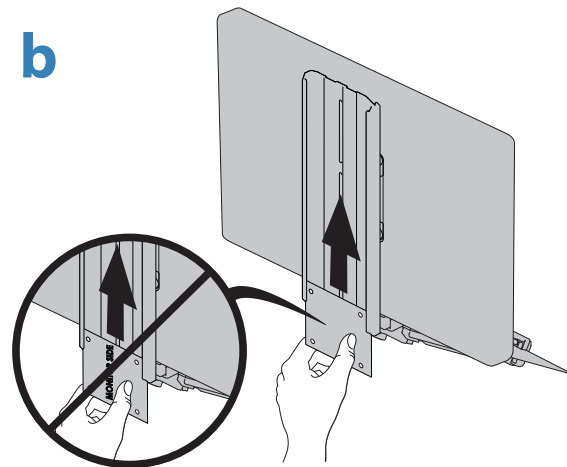
Bottom Mounted



a

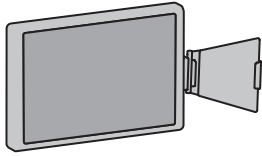


b

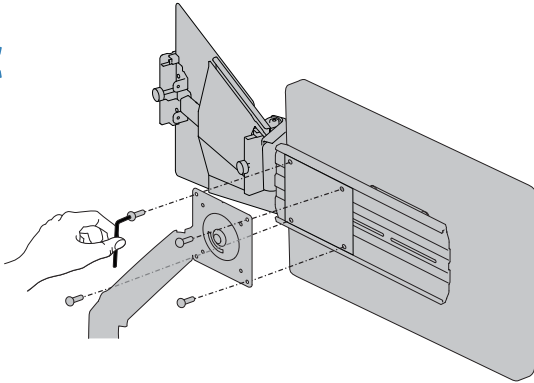


NOTE: Attach arm on side closest to tablet holder for proper balance.

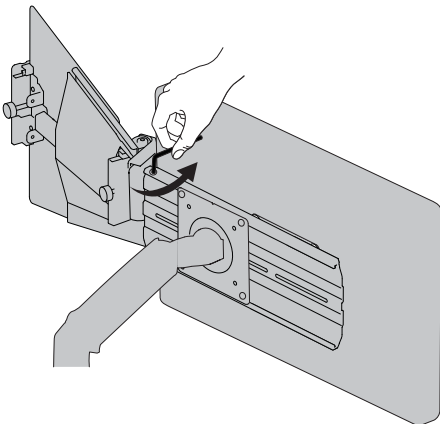
Side Mounted



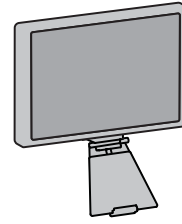
c



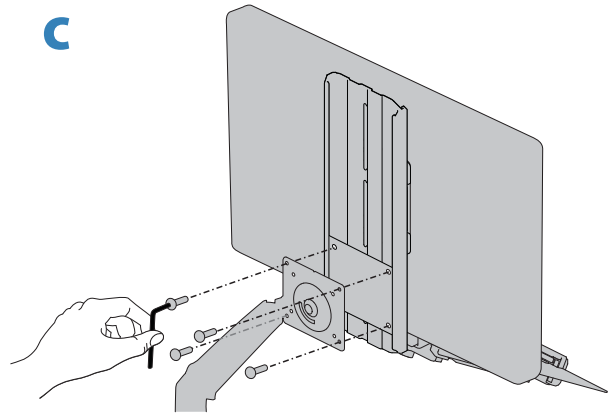
d



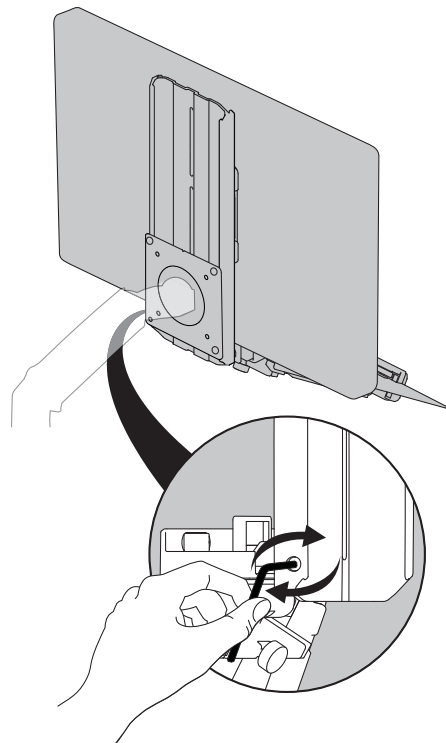
Bottom Mounted



c



d



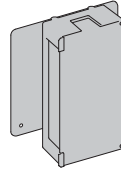
Touchboards

205 Westwood Ave, Long Branch, NJ 07740
Phone: 866-94 BOARDS (26273) / (732)-222-1511
Fax: (732)-222-7088 | E-mail: sales@touchboards.com

9 Attach Surface Dock holder



1x

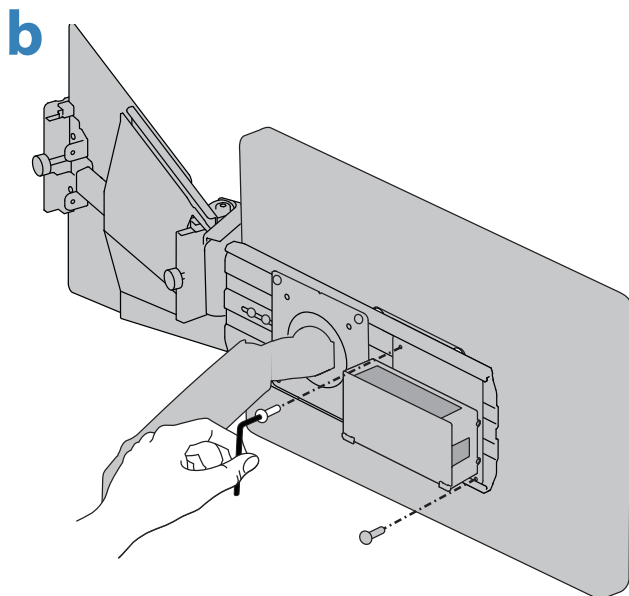
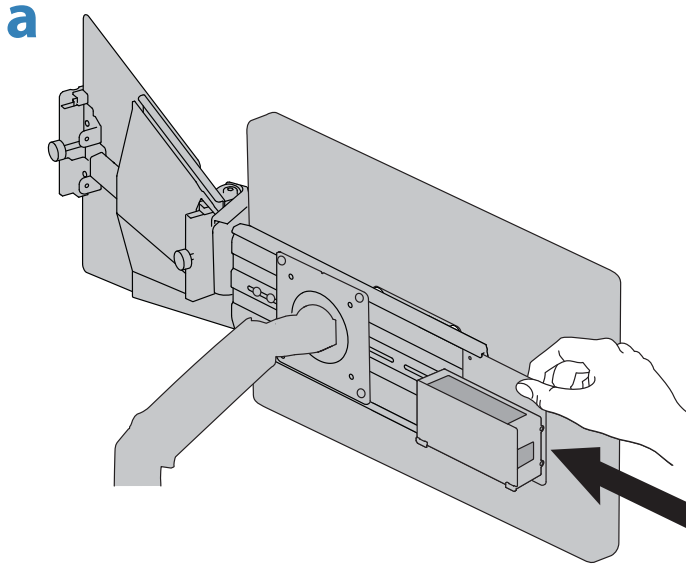
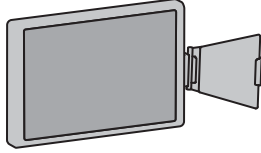


2x

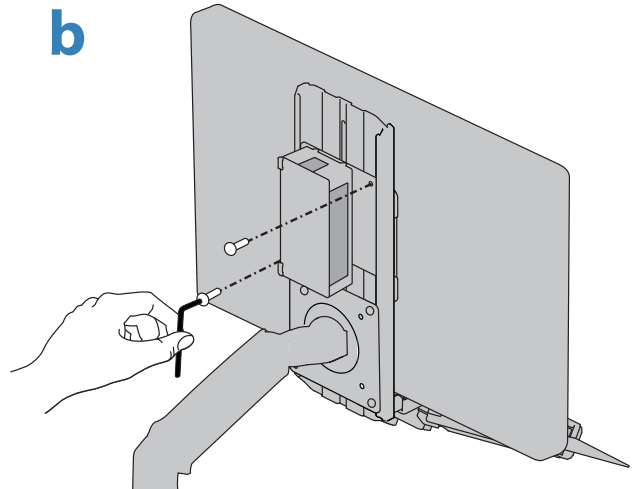
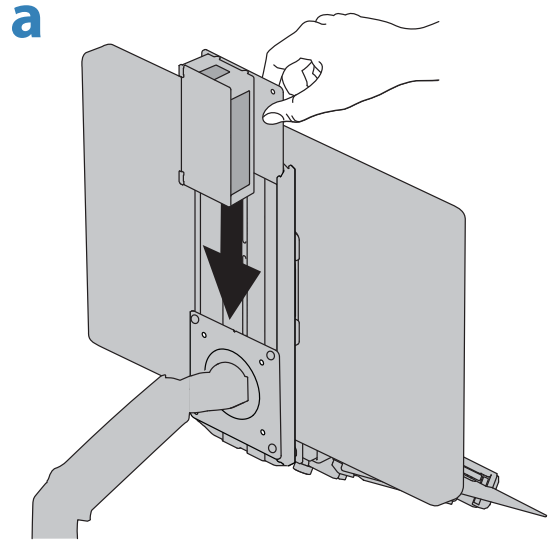
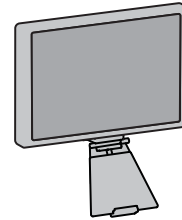


M4 x 8mm

Side Mounted

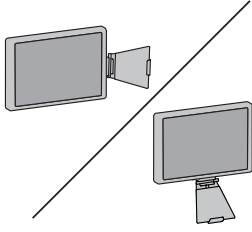


Bottom Mounted

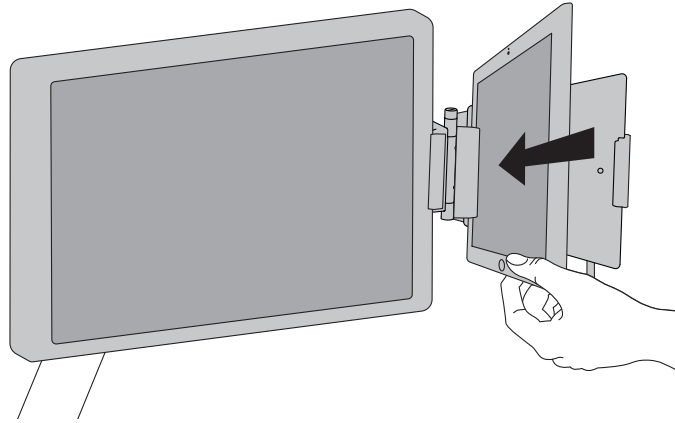


10

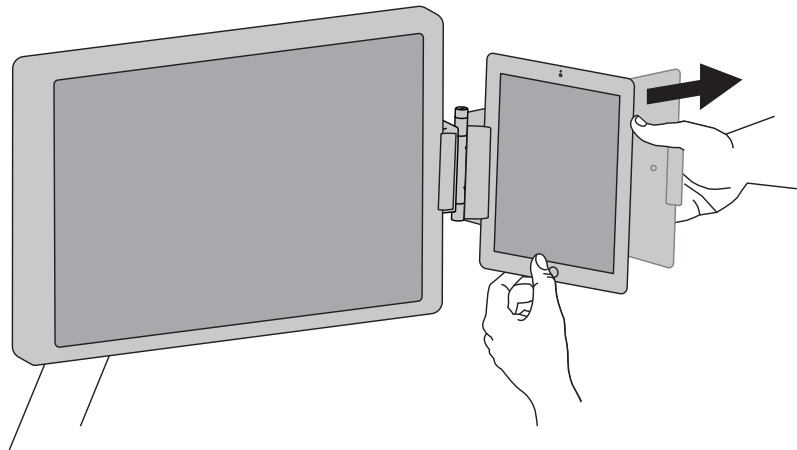
Insert tablet.



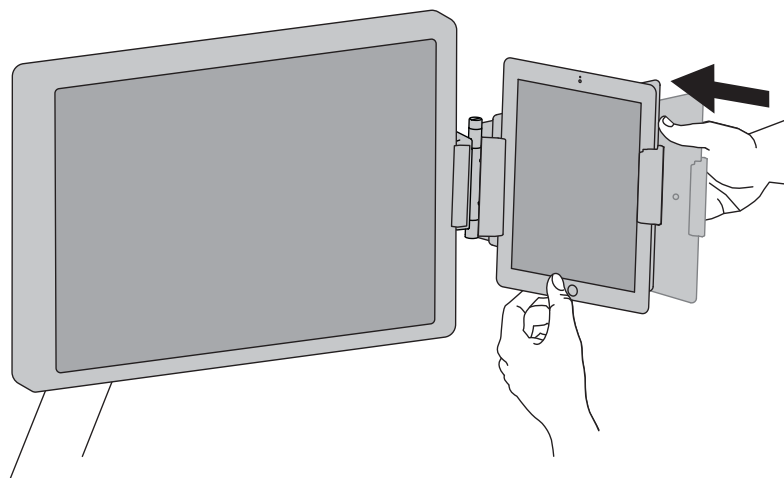
a

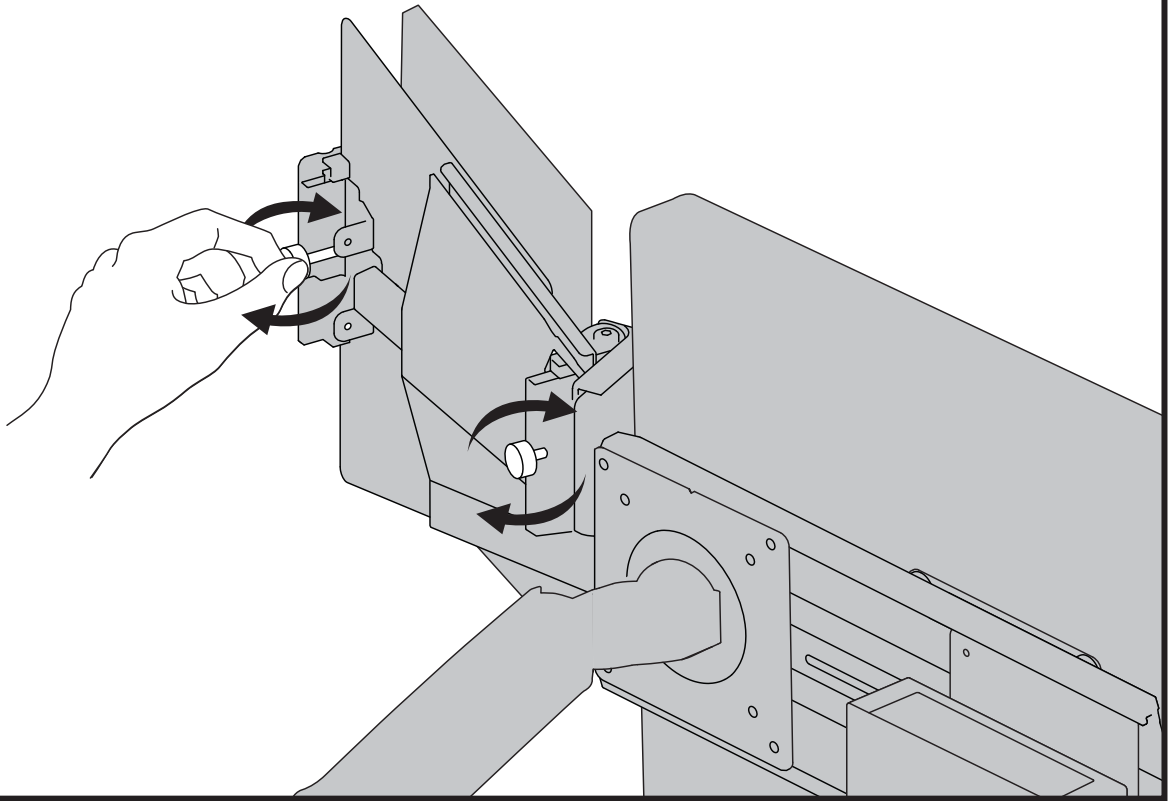
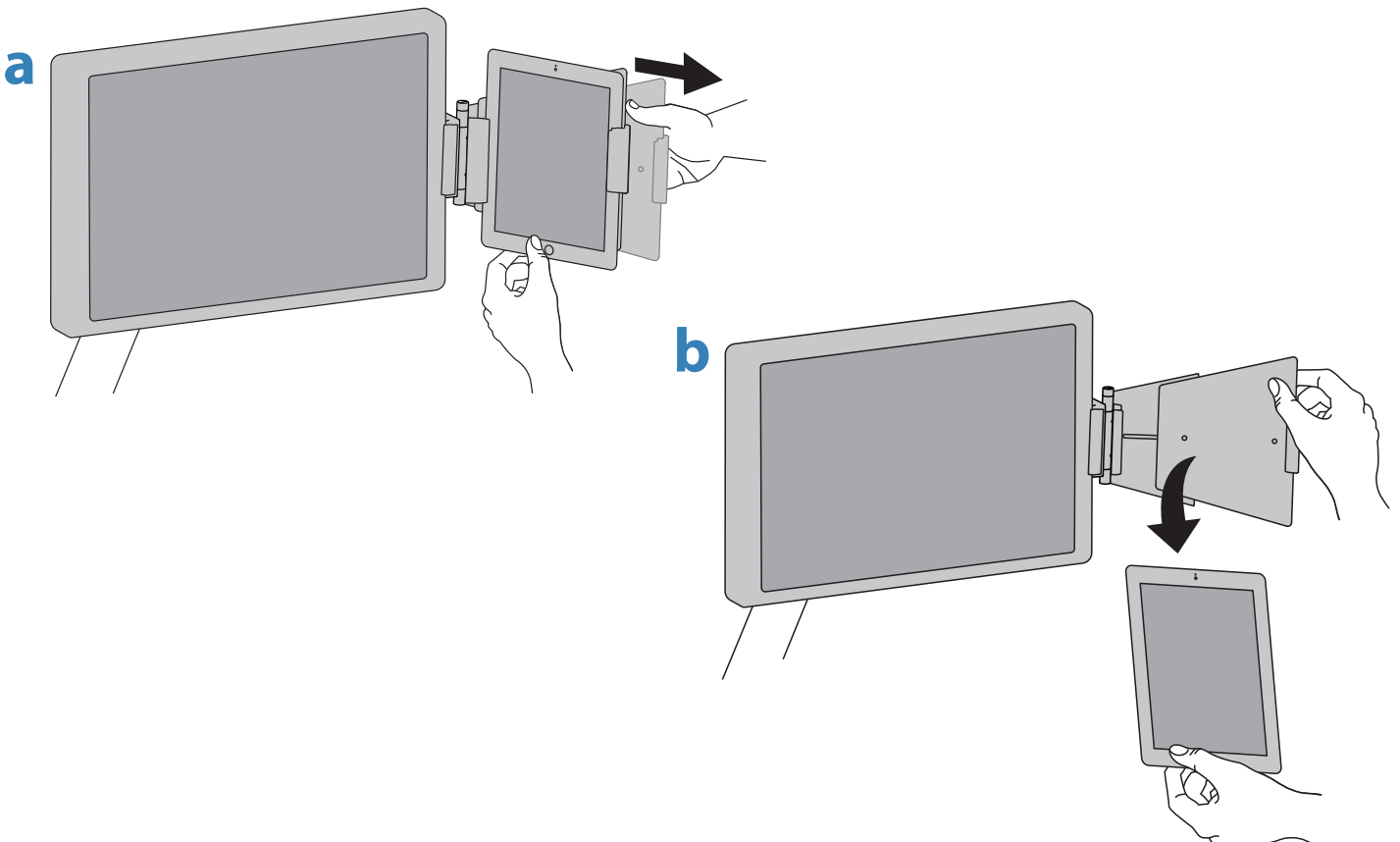


b

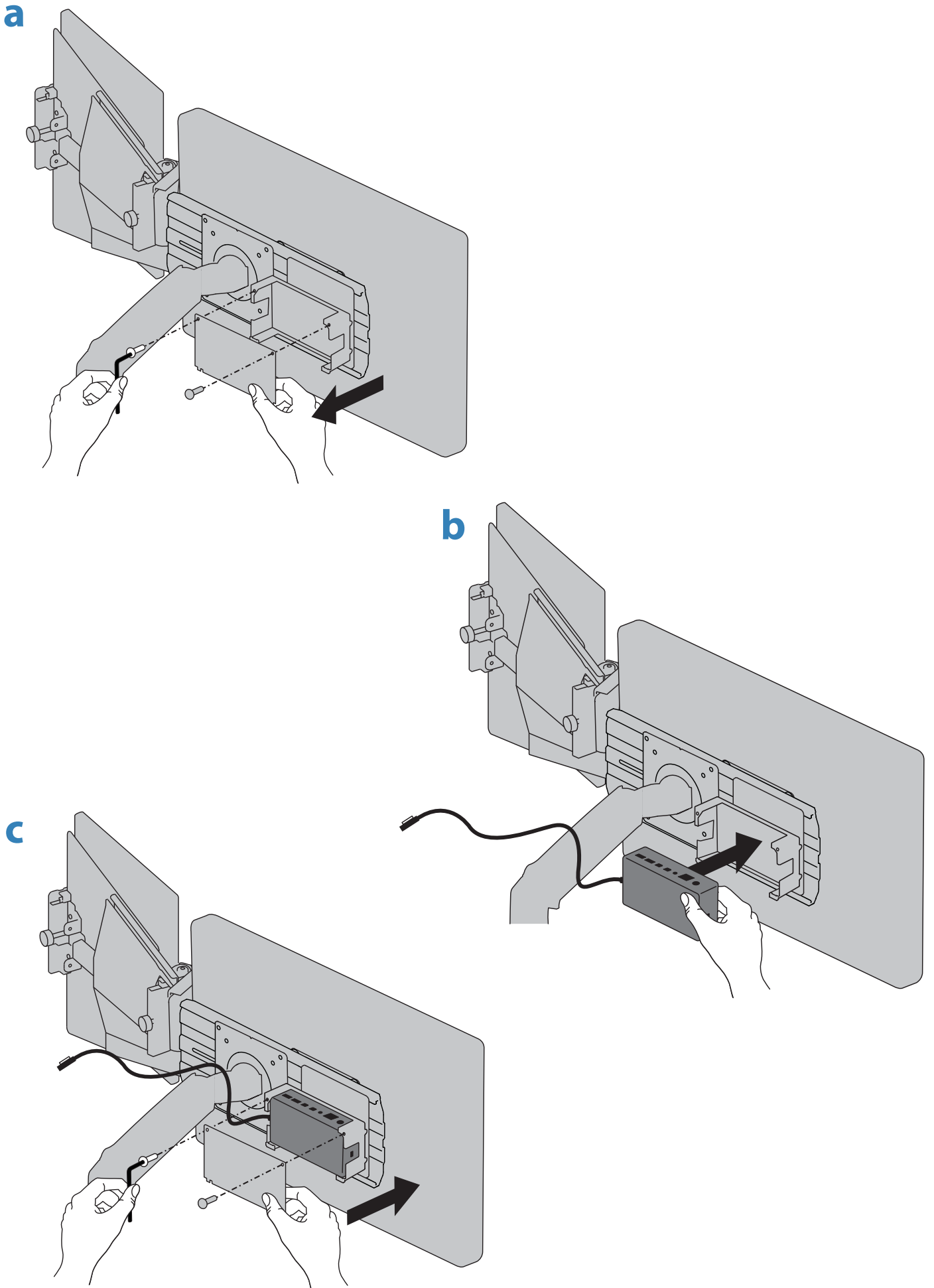


c



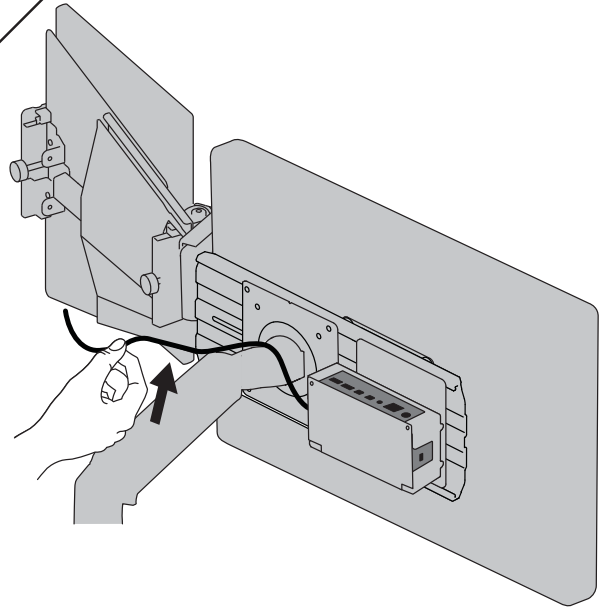
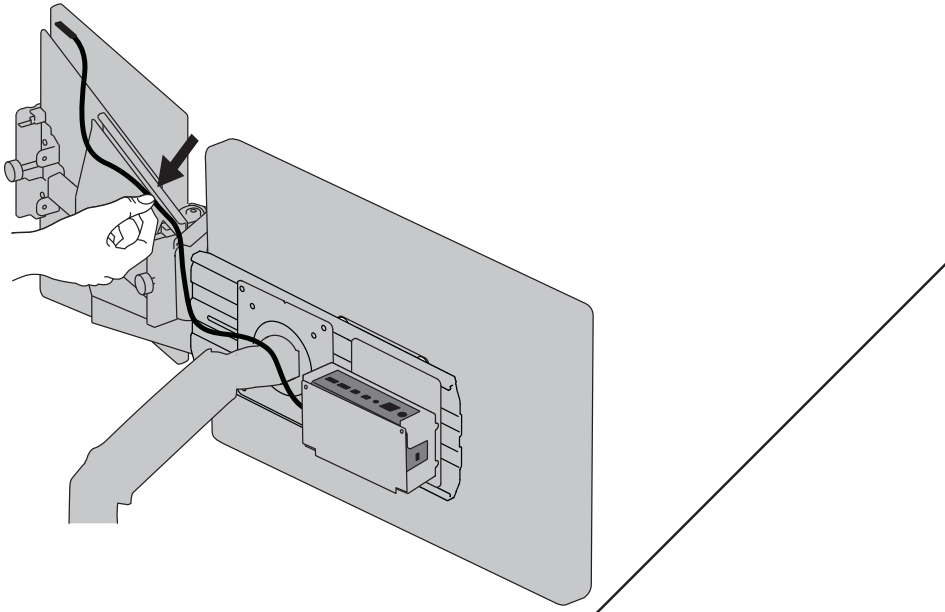
11**Optional: Tighten thumb screw to secure tablet.****12****How to remove tablet.**

13 Install Surface Dock

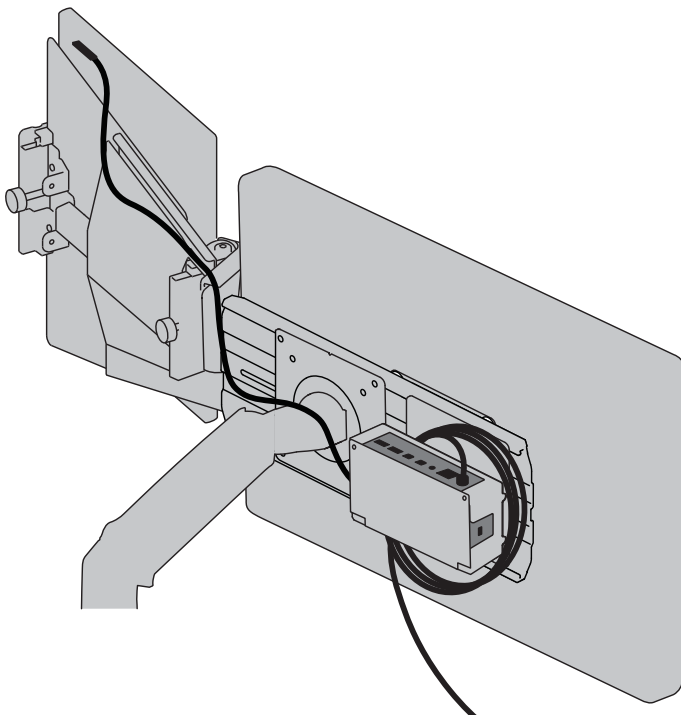


14 Cable management.

a

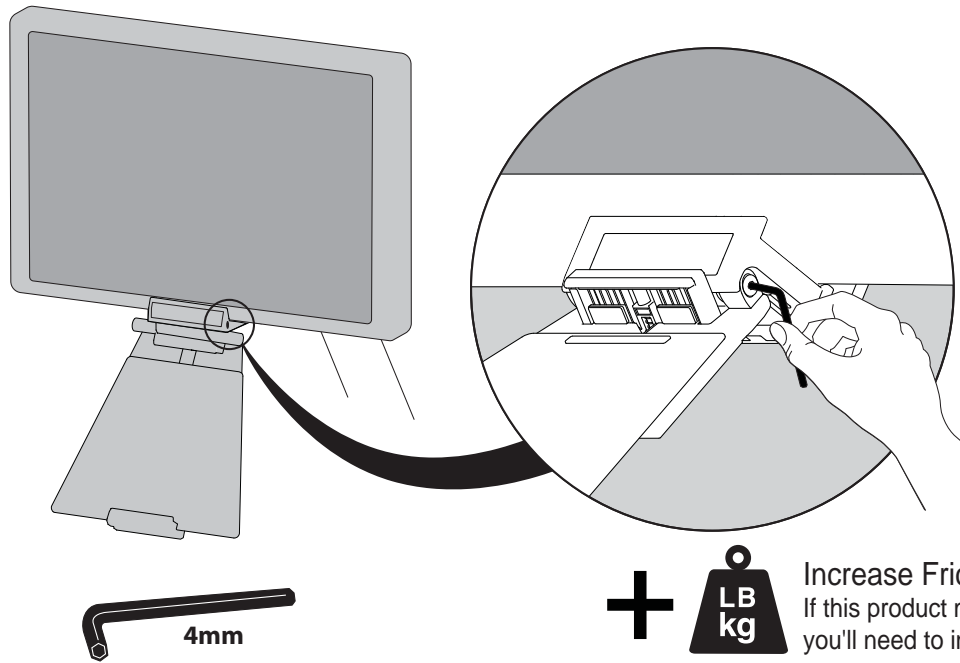




b



15 Adjustment Step

Make sure all your equipment is properly installed on the product before attempting adjustments. This product should move smoothly and easily through the full range of motion and stay where you set it. If movements are too easy or difficult or if product does not stay in desired positions, follow the adjustment instructions to create smooth and easy movements. Depending on your product and the adjustment, it may take many turns to notice a difference. Any time equipment is added or removed from this product, resulting in a change in the weight of the mounted load, you should repeat these adjustment steps to ensure safe and optimum operation.

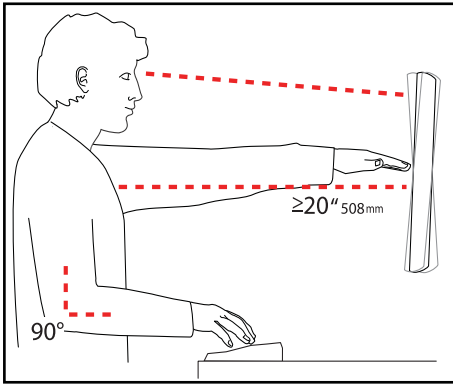


- +**  **Increase Friction**
If this product moves too easily, then you'll need to increase friction:
-  **Decrease Friction**
If this product is too difficult to move, then you'll need to decrease friction:

16 Adjustment Step

Adjust your mounting solution to handle the added weight. Adjustments should move smoothly and easily through the full range of motion and stay where you set it. If adjustments are difficult and do not stay in the desired position, follow the instructions to loosen or tighten the tension to create a smooth, easy adjustment motion. Depending on your product and the adjustment, it may take several turns to notice a difference.

Set Your Workstation to Work For YOU!



Learn more about ergonomic computer use at:
www.computingcomfort.org

- Height** Position top of screen slightly below eye level.
Position keyboard at about elbow height with wrists flat.
- Distance** Position screen an arm's length from face—at least 20" (508mm).
Position keyboard close enough to create a 90° angle in elbow.
- Angle** Tilt screen to eliminate glare.
Tilt the keyboard back 10° so that your wrists remain flat.

- To Reduce Fatigue
- Breathe - Breathe deeply through your nose.
 - Blink - Blink often to avoid dry eyes.
 - Break • 2 to 3 minutes every 20 minutes
 - 15 to 20 minutes every 2 hours.

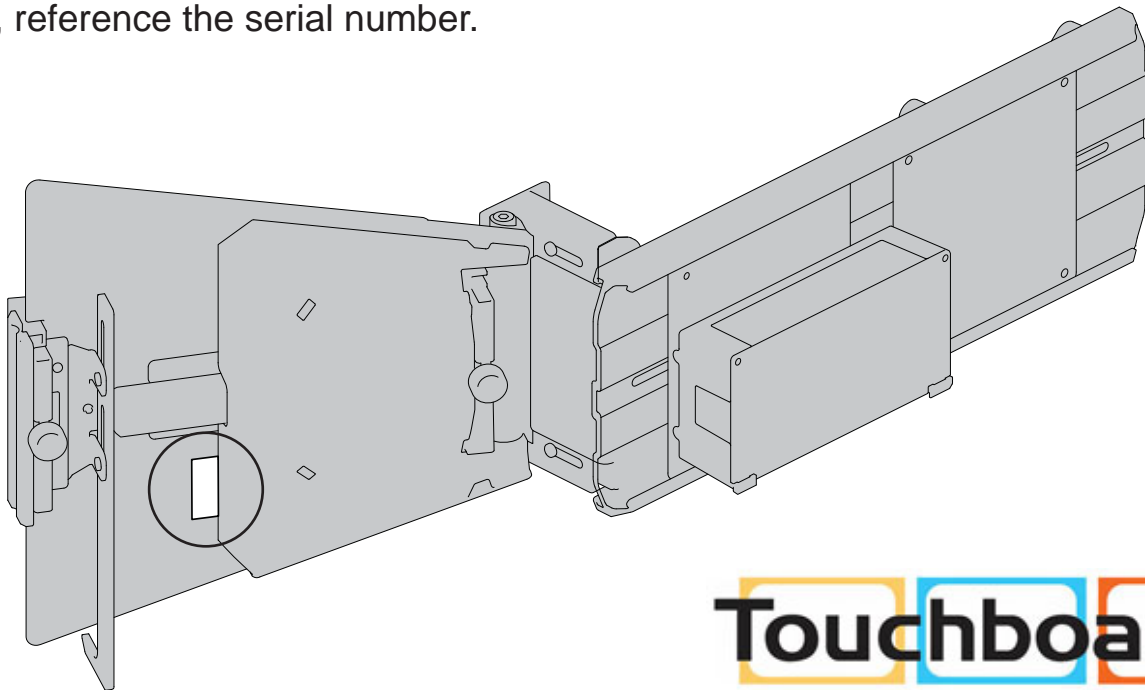
For Warranty visit: www.ergotron.com/warranty

For Service visit: www.ergotron.com

For local customer care phone numbers visit: <http://contact.ergotron.com>



NOTE: When contacting customer service, reference the serial number.



Touchboards

205 Westwood Ave, Long Branch, NJ 07740
Phone: 866-94 BOARDS (26273) / (732)-222-1511
Fax: (732)-222-7088 | E-mail: sales@touchboards.com

Americas Sales and Corporate Headquarters

1181 Trapp Rd.
St. Paul, MN USA
(800) 888-8458
+1-651-681-7600
www.ergotron.com
sales@ergotron.com

EMEA Sales

Amersfoort, The Netherlands
+31 33 45 45 600
www.ergotron.com
info.eu@ergotron.com

APAC Sales

Tokyo, Japan
www.ergotron.com
apaccustomerservice@ergotron.com

Worldwide OEM Sales

www.ergotron.com
info.oem@ergotron.com

ERGOTRON®

While Ergotron, Inc. makes every effort to provide accurate and complete information on the installation and use of its products, it will not be held liable for any editorial errors or omissions (including those made in the process of translation from English to another language), or for incidental, special or consequential damages of any nature resulting from furnishing this instruction and performance of equipment in connection with this instruction. Ergotron, Inc. reserves the right to make changes in the product design and/or product documentation without notification to its users. For the most current product information, or to know if this document is available in languages other than those herein, please contact Ergotron. No part of this publication may be reproduced, stored in a retrieval system, or transmitted in any form or by any means, electronic, mechanical, photocopying, recording or otherwise without the prior written consent of Ergotron, Inc., 1181 Trapp Road, Eagan, Minnesota, 55121, USA. Patents Pending and Patented U.S. & Foreign. Ergotron is a registered trademark of Ergotron, Inc.

© 2015 Ergotron, Inc. All rights reserved.