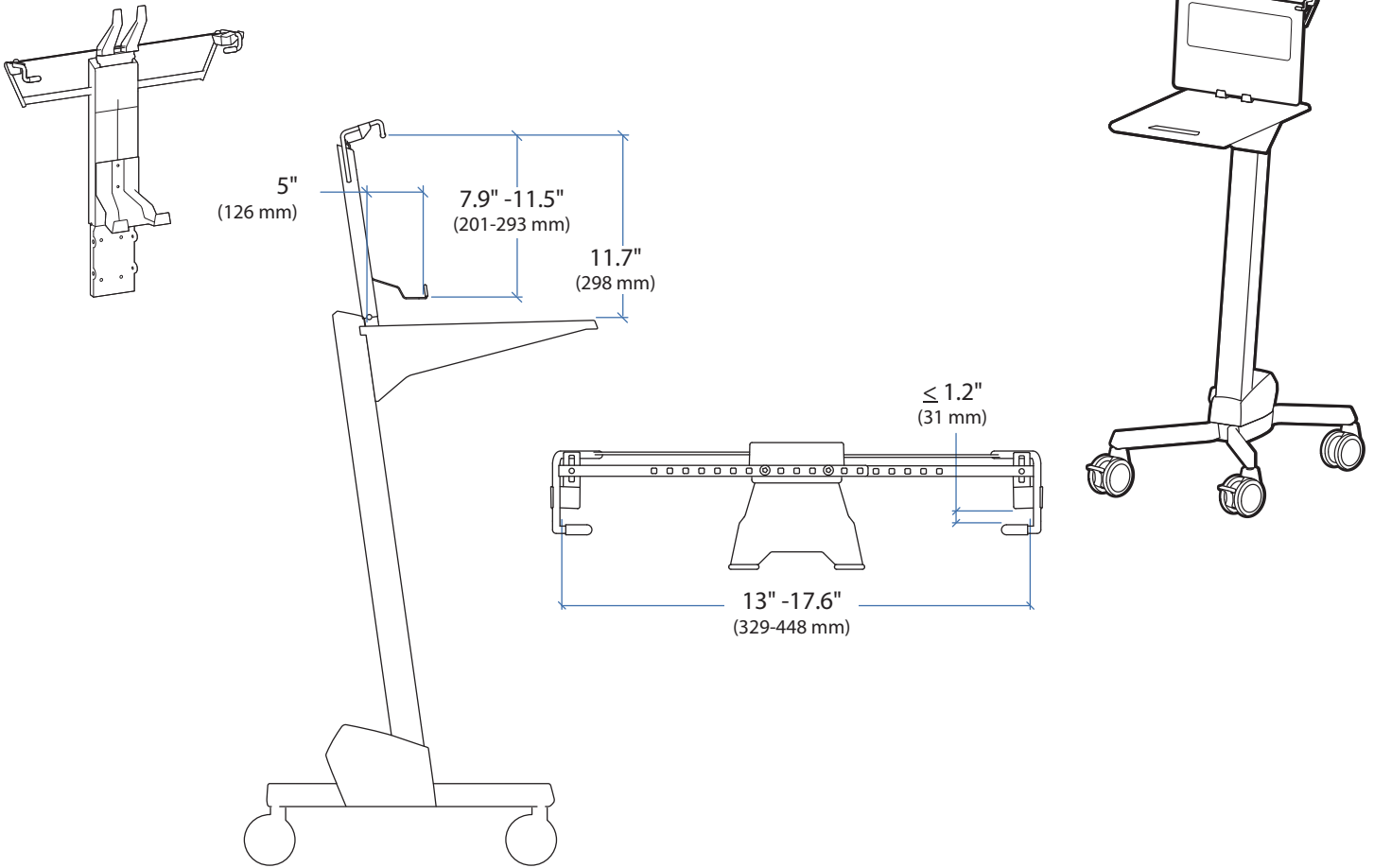
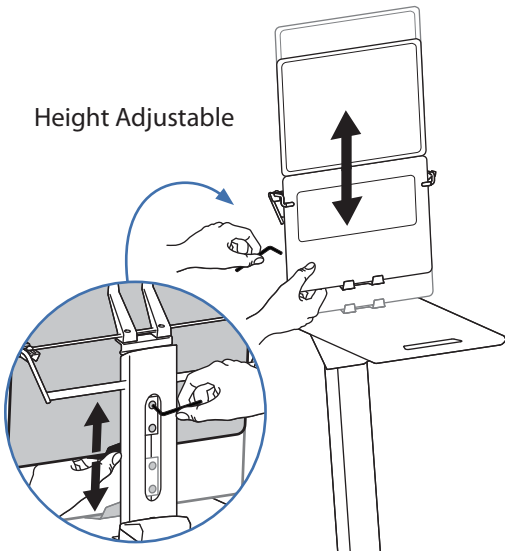


Ergotron® Neo-Flex® Cart

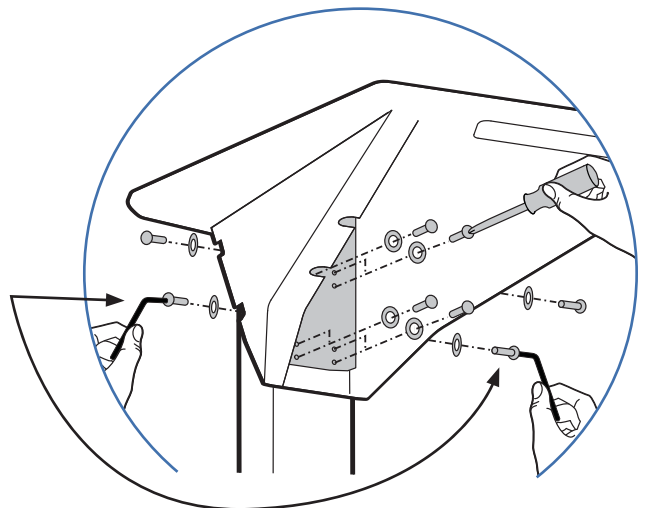
Laptop Vertical Kit



Height Adjustable



Two optional security fasteners:



© 2010 Ergotron, Inc. rev. 10/12/2010 DIM-NFLVSB Content is subject to change without notification

Americas Sales and Corporate Headquarters

St. Paul, MN USA
 (800) 888-8458
 +1-651-681-7600
 www.ergotron.com
 sales@ergotron.com

EMEA Sales

Amersfoort, The Netherlands
 +31 33 45 45 600
 www.ergotron.com
 info.eu@ergotron.com

APAC Sales

Singapore
 www.ergotron.com
 info.apac@ergotron.com

Worldwide OEM Sales

www.ergotron.com
 info.oem@ergotron.com

