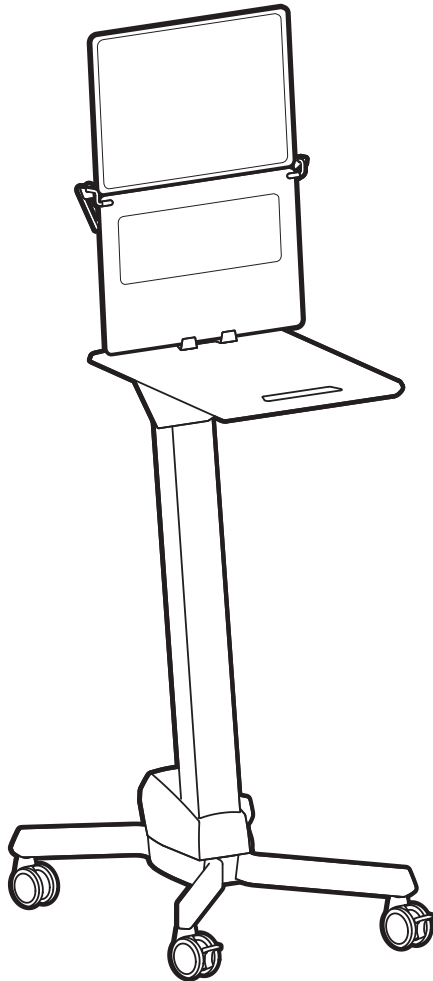


 www.ergotron.com
 USA 1-800-888-8458
 Europe +31 (0)33-45 45 600
 China 86-769-86018920

ASSEMBLY INSTRUCTIONS
Instrucciones de instalación
Notice d'assemblage
Montageanleitungen
Installatie instructies
Manuali d'Istruzione


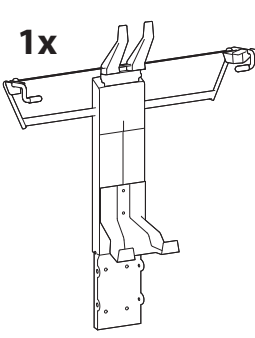
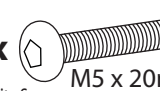

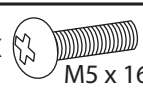
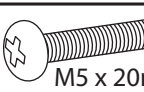

取扱説明書
 安装说明
 설치 안내

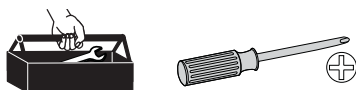


For service and warranty visit www.ergotron.com
 Si desea información de servicio y garantía, visite www.ergotron.com
 Pour toute question concernant la garantie ou le service client, consultez www.ergotron.com
 Weitere Informationen zu Service und Gewährleistung erhalten Sie unter www.ergotron.com
 Ga voor service en garantie naar www.ergotron.com
 Per assistenza e la garanzia visitare www.ergotron.com
 Gå in på www.ergotron.com för service och garanti
 サービスおよび保証について詳しくは、www.ergotron.com をご覧ください。
 有关服务和保修，请访问 www.ergotron.com

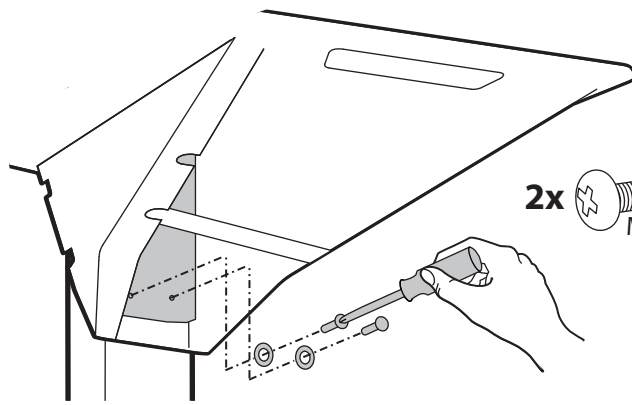
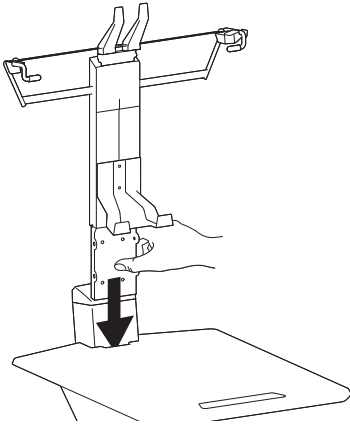
Touchboards

205 Westwood Ave, Long Branch, NJ 07740
 Phone: 866-94 BOARDS (26273) / (732)-222-1511
 Fax: (732)-222-7088 | E-mail: sales@touchboards.com

	A	B	C
1	 1x 	2x  M5 x 20mm Security Screw Tornillo de seguridad Vis de sécurité Sicherheitsschraube mit Innenfünfkant Veiligheidsleutel Vite di sicurezza 固定ネジ 安全螺丝 Security Screw(안전 스크루)	1x  5-sided Security Wrench Llave de seguridad pentagonal Clef Allen de sécurité Fünfkant-Inbusschlüssel 5-kantige veiligheidsleutel Chiave pentagonale di sicurezza 5角固定用レンチ 5角安全扳手 5면 Security Wrench(안전 렌치)
2			
3	4x  M5 x 16mm	4x  M5 x 20mm	8x  M5



1

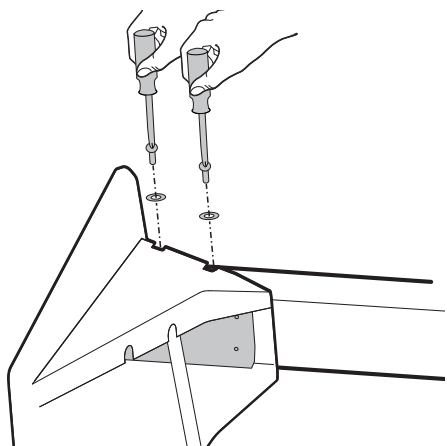
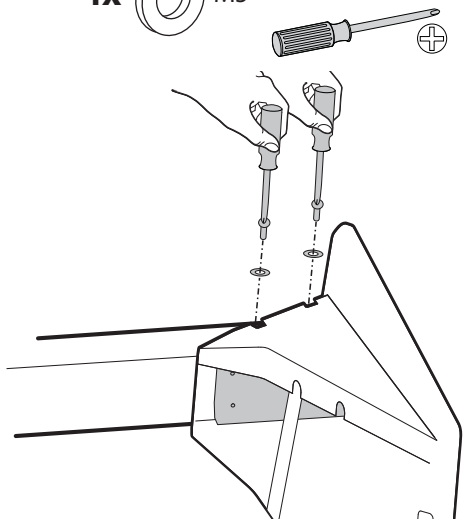


2x M5 x 16mm

2x M5

4x M5

4x M5 x 20mm

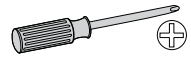


OPTIONAL: Security Screw, 5-sided Security Wrench
Opcional: Tornillo de seguridad. Llave de seguridad pentagonal
Facultatif: Vis de sécurité. Clef Allen de sécurité
Optional: Sicherheitsschraube mit Innenfünfkant. Fünfkant-Inbusschlüssel
Optioneel: Veiligheidsleutel. 5-kantige veiligheidsleutel
Opzionale: Vite di sicurezza. Chiave pentagonale di sicurezza
オプション: 固定ネジ, 5角固定用レンチ
可选: 安全螺丝, 5角安全扳手

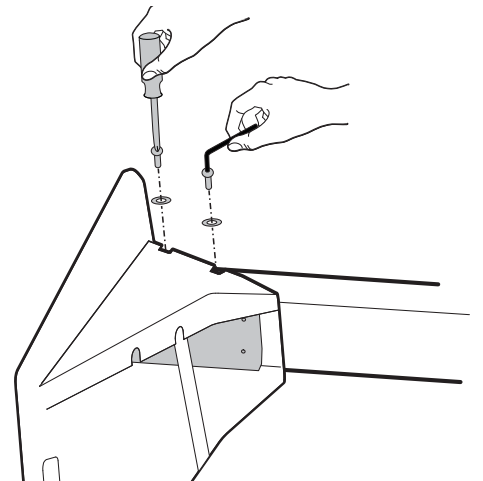
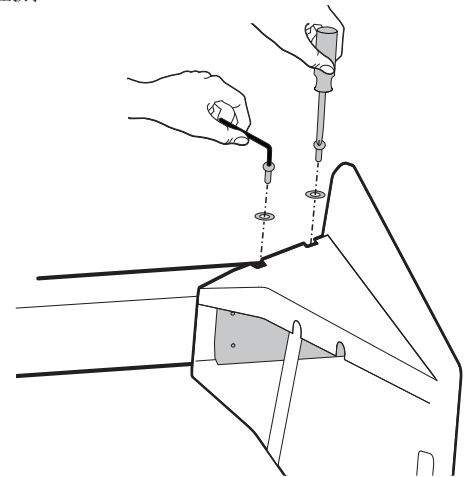
2x M5 x 20mm



2x M5 x 20mm

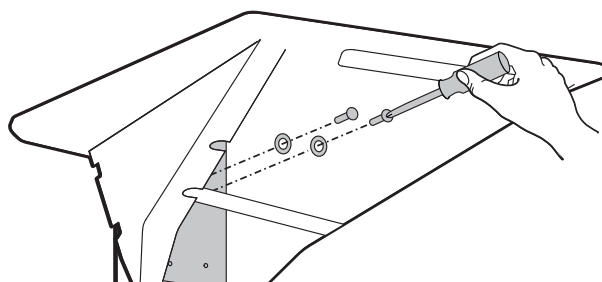


4x M5

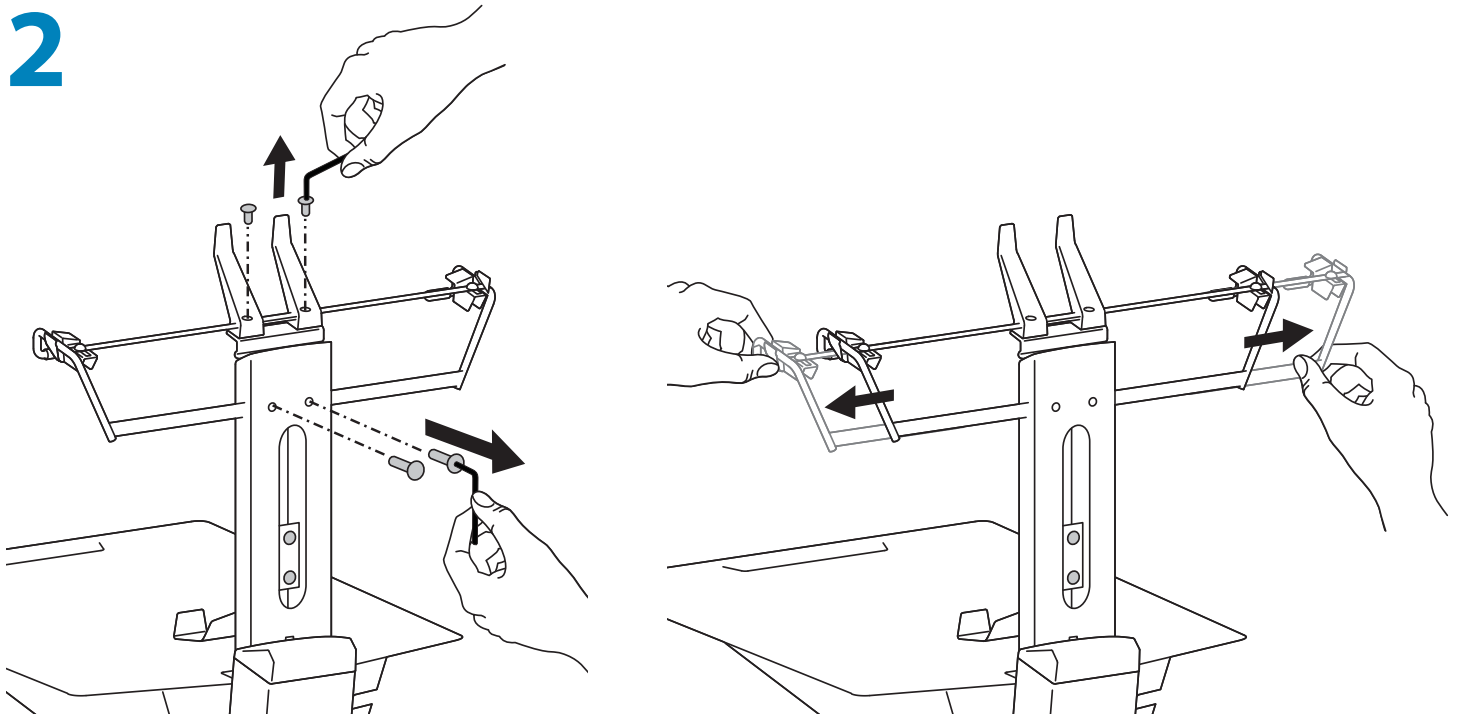


2x M5 x 16mm

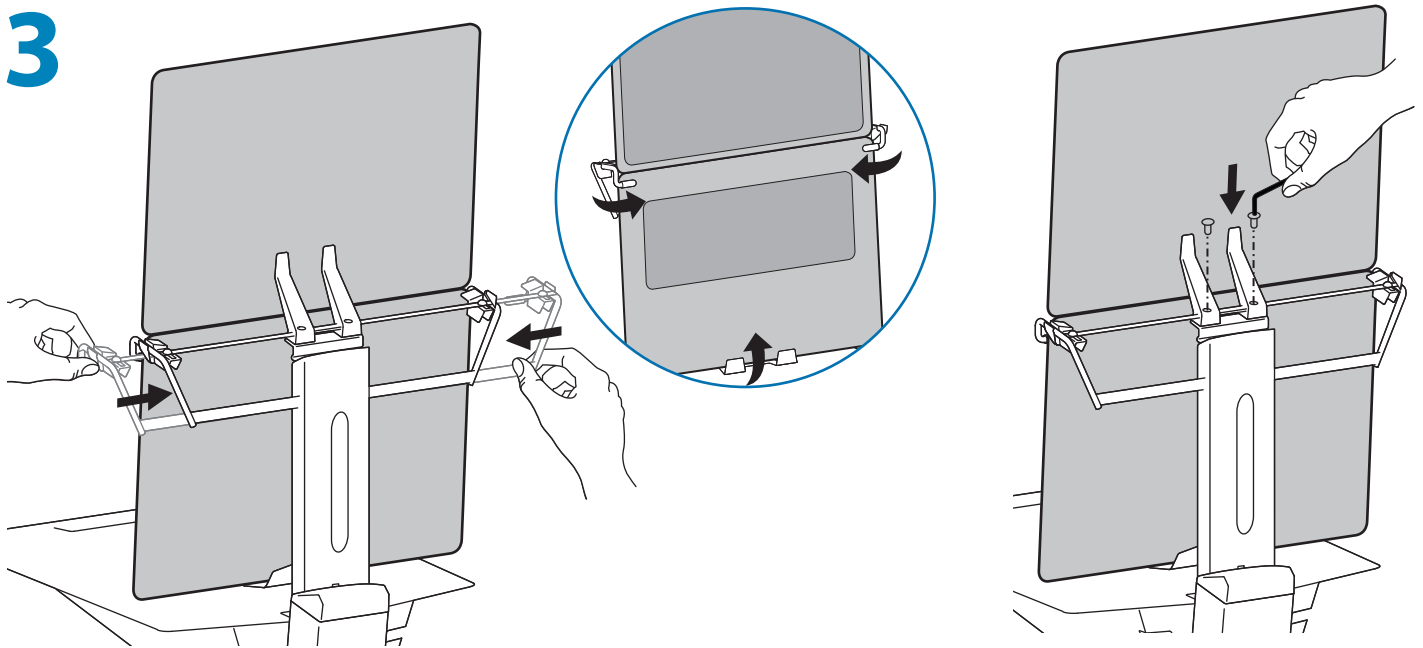
2x M5



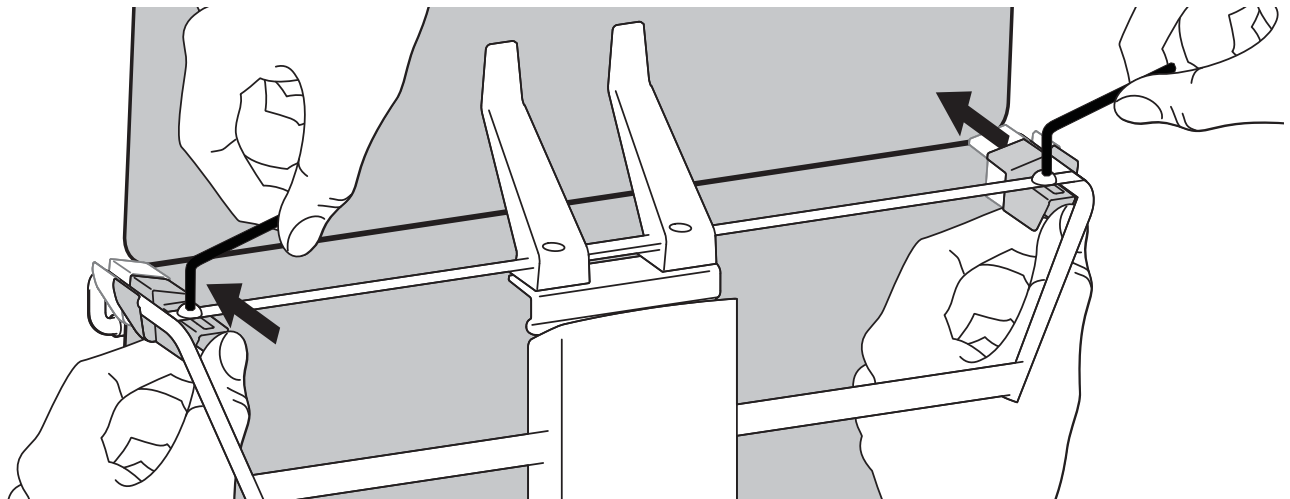
2



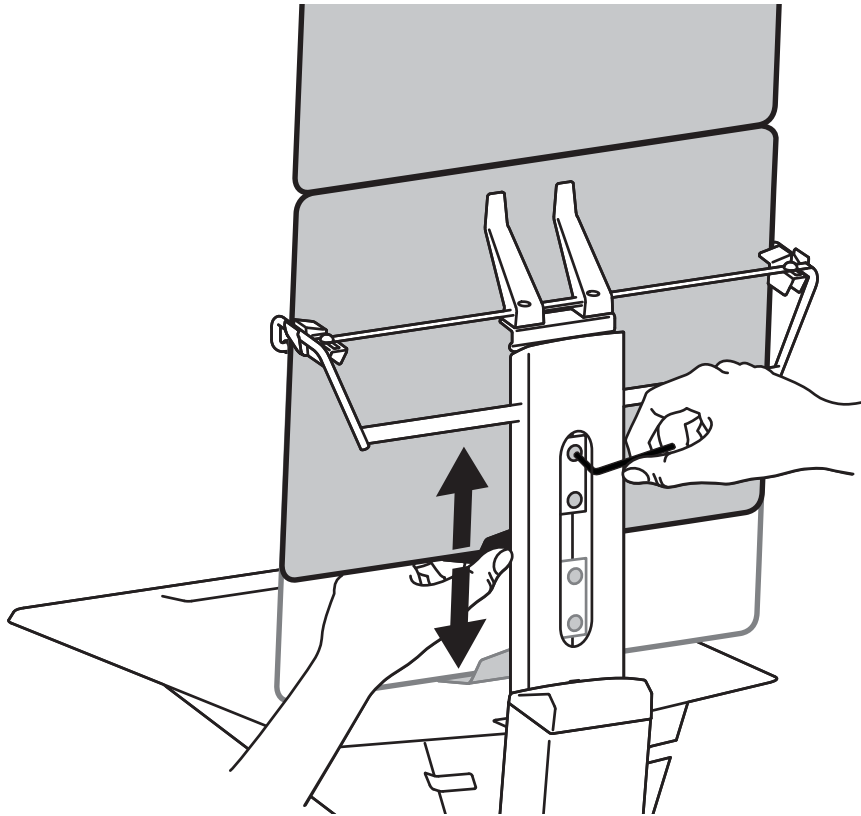
3



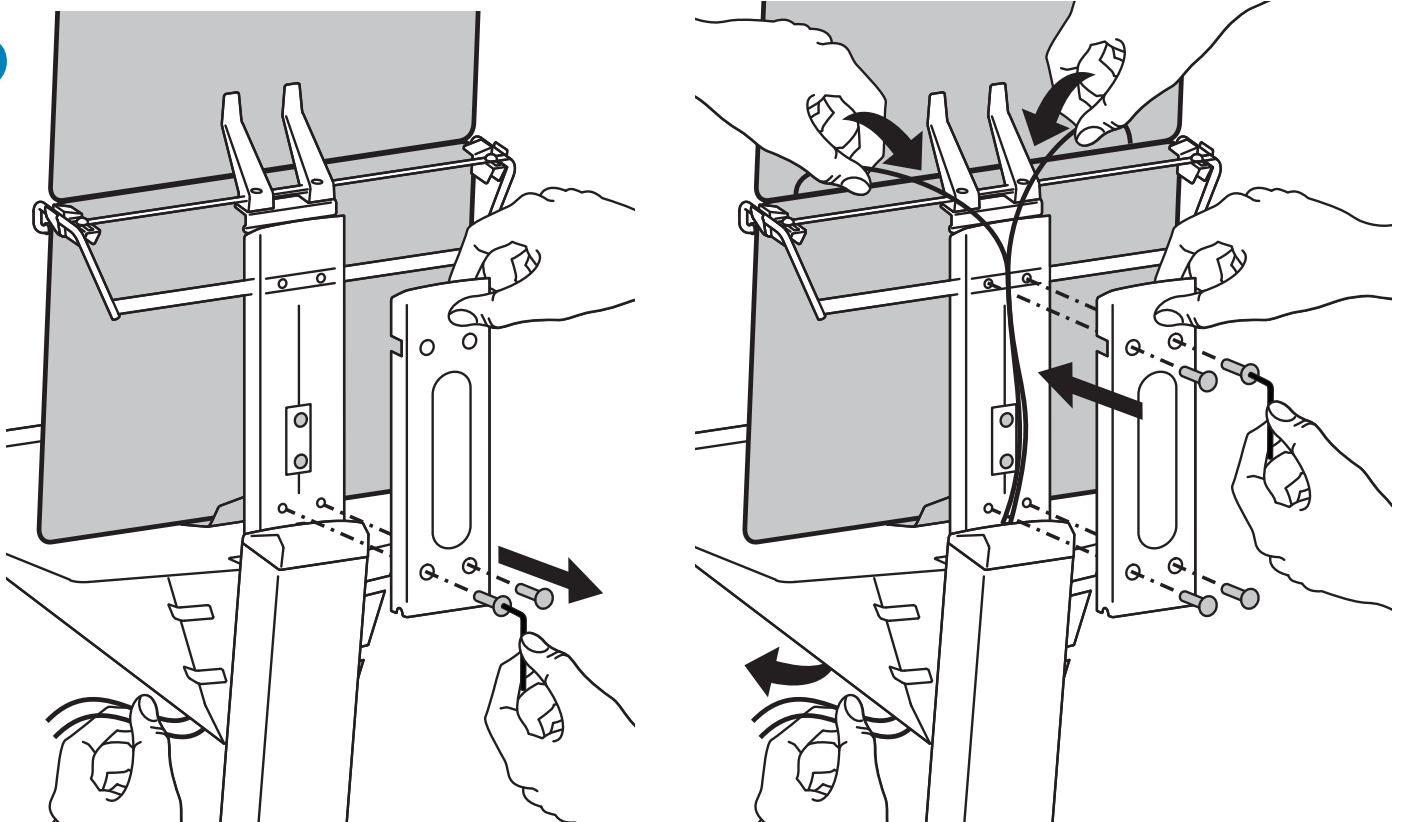
4



5



6



© 2010 Ergotron, Inc.
All rights reserved.

While Ergotron, Inc. makes every effort to provide accurate and complete information on the installation and use of its products, it will not be held liable for any editorial errors or omissions (including those made in the process of translation from English to another language), or for incidental, special or consequential damages of any nature resulting from furnishing this instruction and performance of equipment in connection with this instruction. Ergotron, Inc. reserves the right to make changes in the product design and/or product documentation without notification to its users. For the most current product information, or to know if this document is available in languages other than those herein, please contact Ergotron. No part of this publication may be reproduced, stored in a retrieval system, or transmitted in any form or by any means, electronic, mechanical, photocopying, recording or otherwise without the prior written consent of Ergotron, Inc., 1181 Trapp Road, Eagan, Minnesota, 55121, USA. Patents Pending and Patented U.S. & Foreign. Ergotron is a registered trademark of Ergotron, Inc.

Americas Sales and Corporate Headquarters

St. Paul, MN USA
(800) 888-8458
+1-651-681-7600
www.ergotron.com
sales@ergotron.com

EMEA Sales

Amersfoort, The Netherlands
+31 33 45 45 600
www.ergotron.com
info.eu@ergotron.com

APAC Sales

Tokyo, Japan
www.ergotron.com
apacustomerservice@ergotron.com

Worldwide OEM Sales

www.ergotron.com
info.oem@ergotron.com