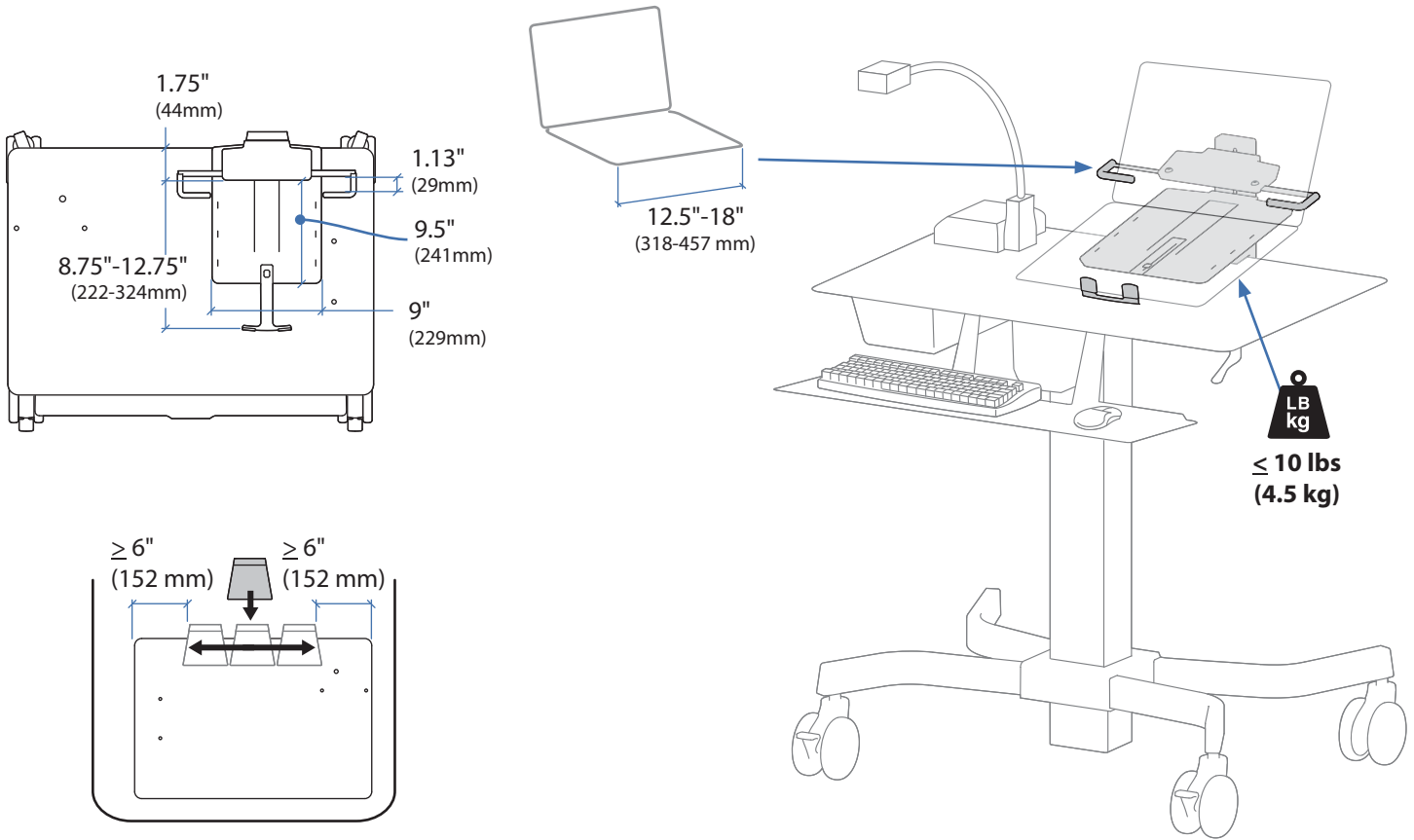
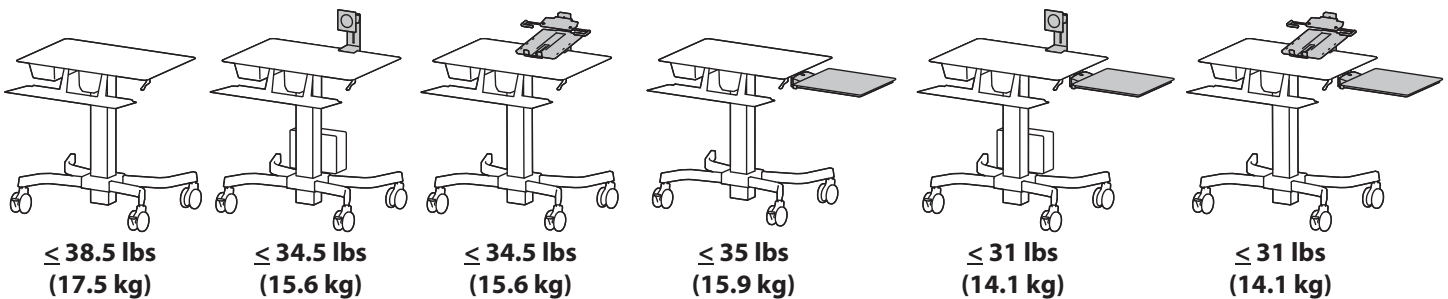


### TeachWell MDW Laptop kit



Based on your configuration and what accessories you have mounted, the total weight added to the mounted accessories, worksurface, keyboard tray and cable box should be:



© 2011 Ergotron, Inc. rev. 06/23/2011 DIM-TeachWellMDWLaptop Content is subject to change without notification

#### Americas Sales and Corporate Headquarters

St. Paul, MN USA  
(800) 888-8458  
+1-651-681-7600  
www.ergotron.com  
sales@ergotron.com

#### EMEA Sales

Amersfoort, The Netherlands  
+31 33 45 45 600  
www.ergotron.com  
info.eu@ergotron.com

#### APAC Sale

Tokyo, Japan  
www.ergotron.com  
apaccustomerservice@ergotron.com

#### Worldwide OEM Sales

www.ergotron.com  
info.oem@ergotron.com

