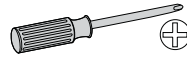
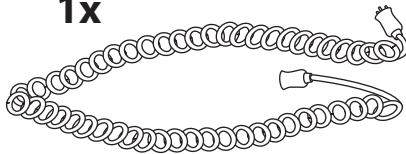


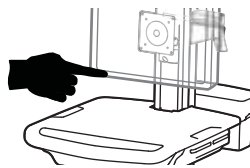
# SV42 Coiled Cord Replacement



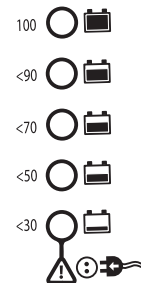
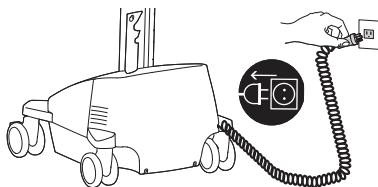
1x



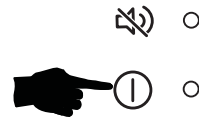
**1** Turn off all mounted equipment.



**2** Disconnect Power System from power source.



**3** Turn power system off by holding down the AC Outlet Power button for 1 - 3 seconds. Power light will shut off.

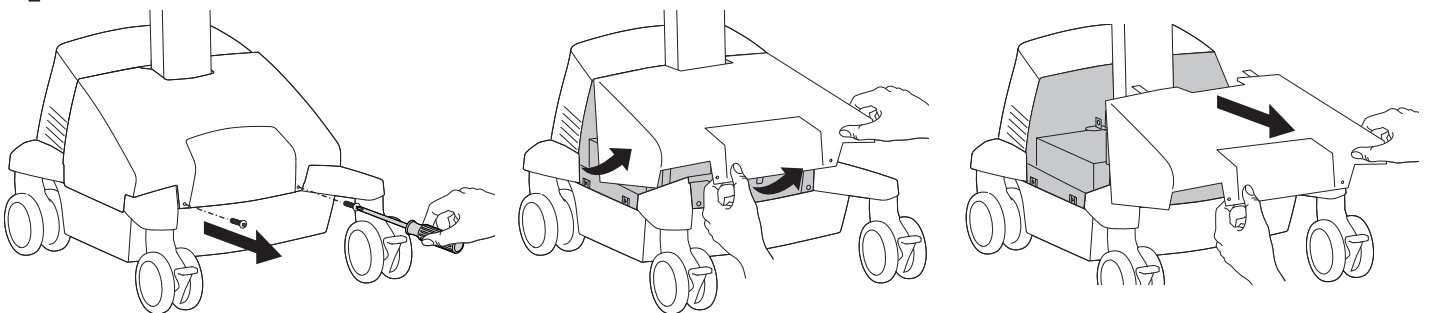


**SLA Power Systems**

**LiFe Power Systems**



**4** Remove front base cover.



# Touchboards

205 Westwood Ave, Long Branch, NJ 07740  
 Phone: 866-94 BOARDS (26273) / (732)-222-1511  
 Fax: (732)-222-7088 | E-mail: sales@touchboards.com

For the latest User Installation Guide please visit: [www.ergotron.com](http://www.ergotron.com)



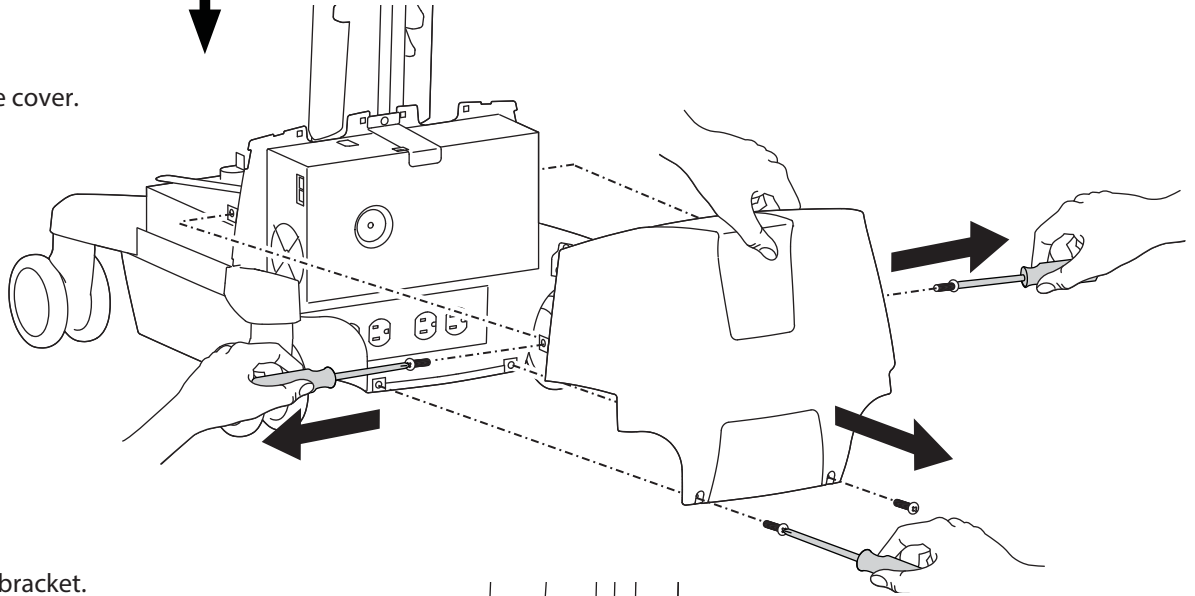
[www.ergotron.com](http://www.ergotron.com)

USA 1-800-888-8458

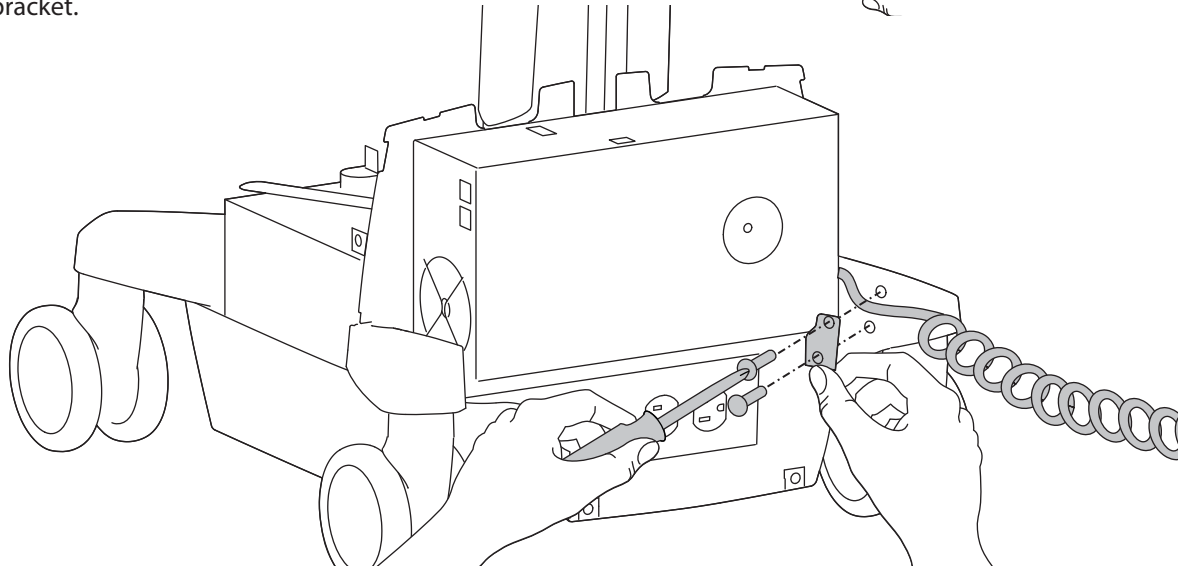
Europe +31 (0)33-45 45 600

China 86-769-86018920

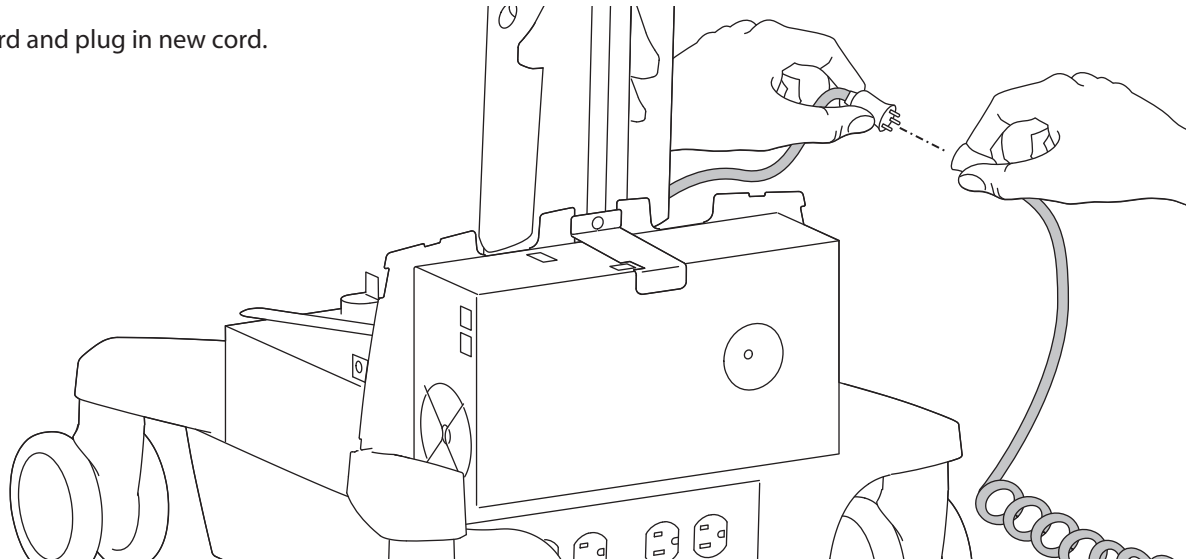
**5** Remove rear base cover.



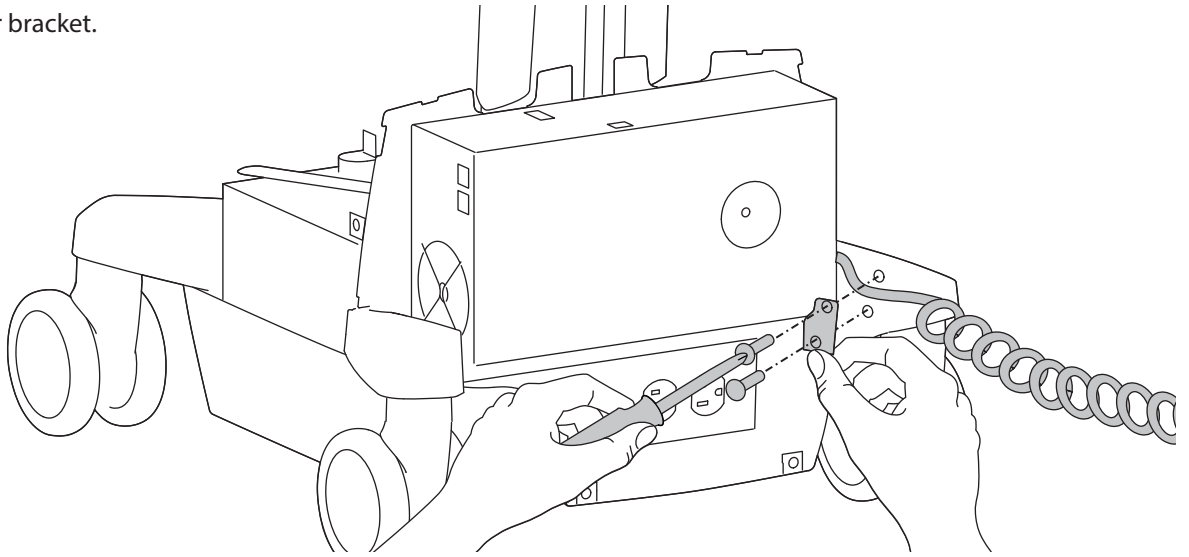
**6** Remove retainer bracket.



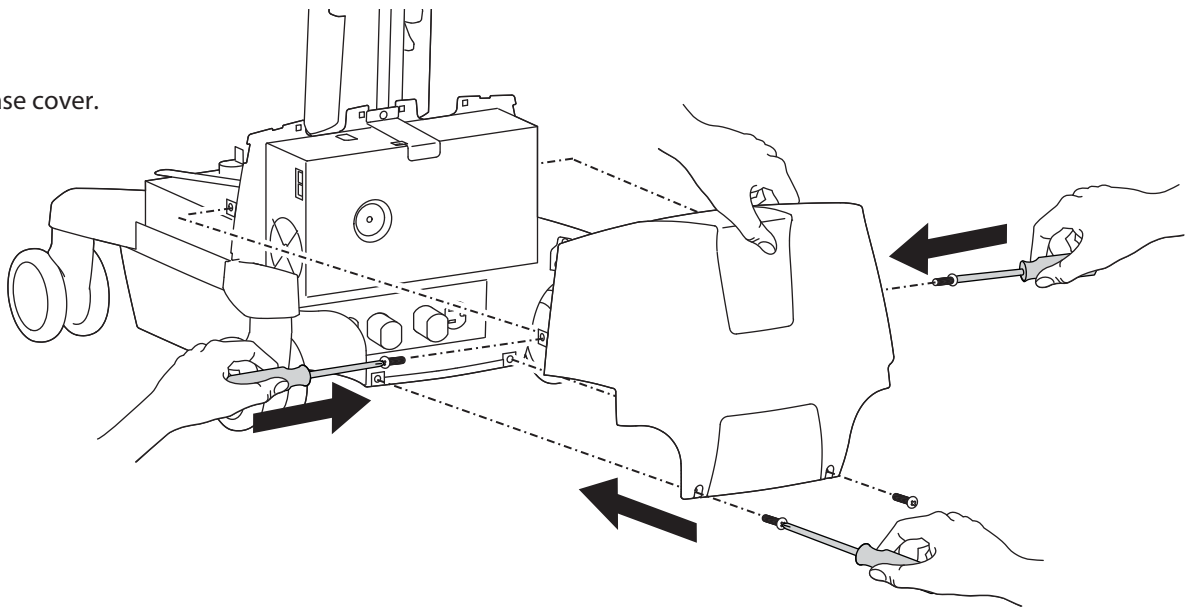
**7** Unplug coiled cord and plug in new cord.



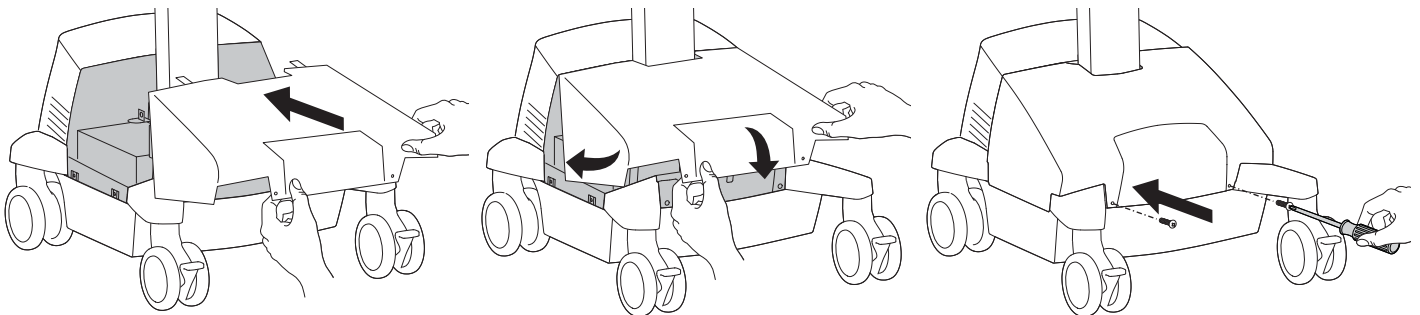
**8** Reattach retainer bracket.



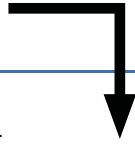
**9** Replace rear base cover.



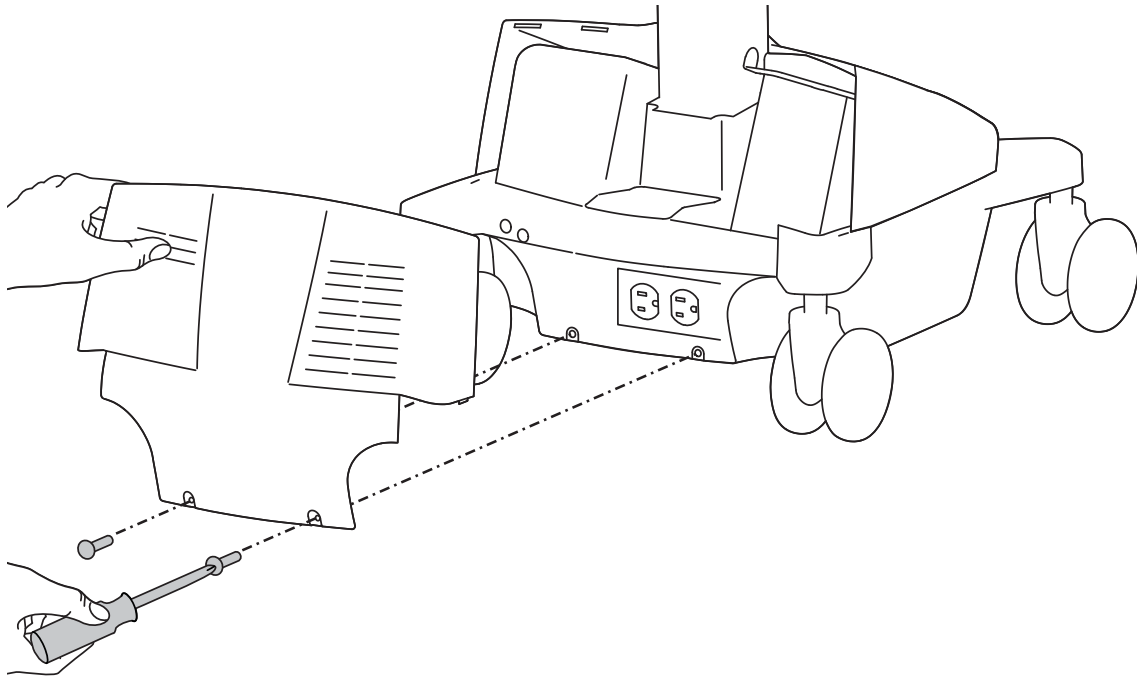
**10** Replace front base cover.



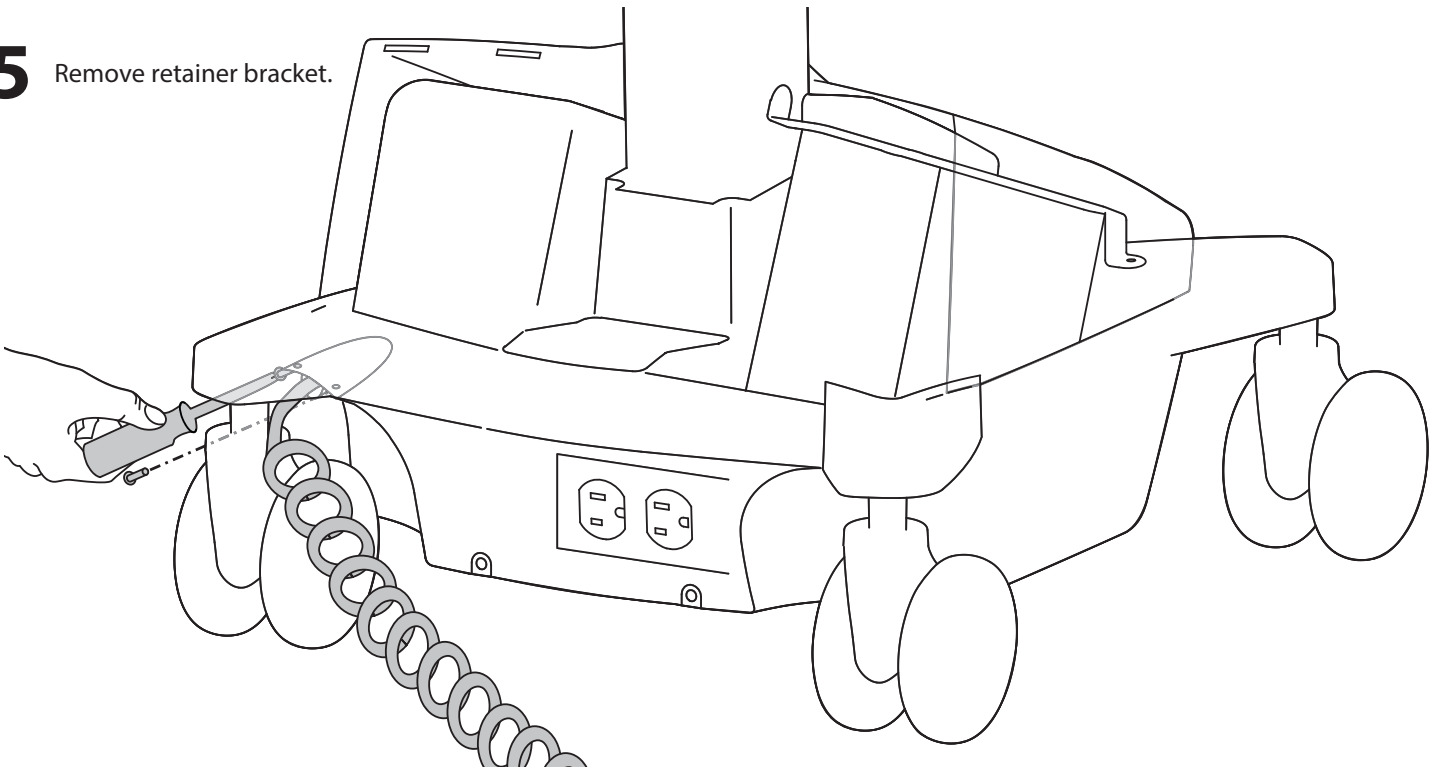
**End of Instructions for SLA Power Systems**

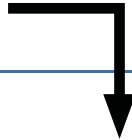


**4** Remove rear base cover.

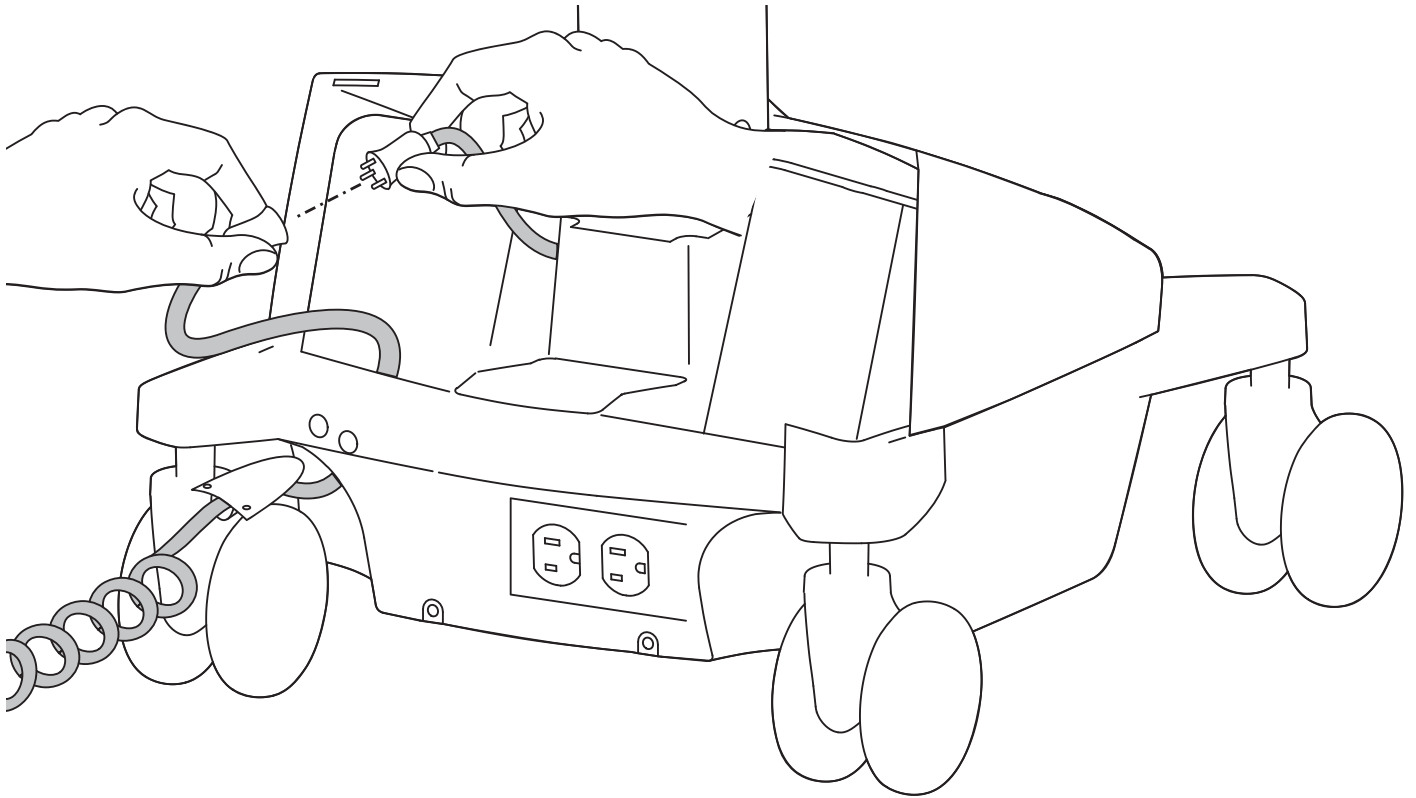


**5** Remove retainer bracket.

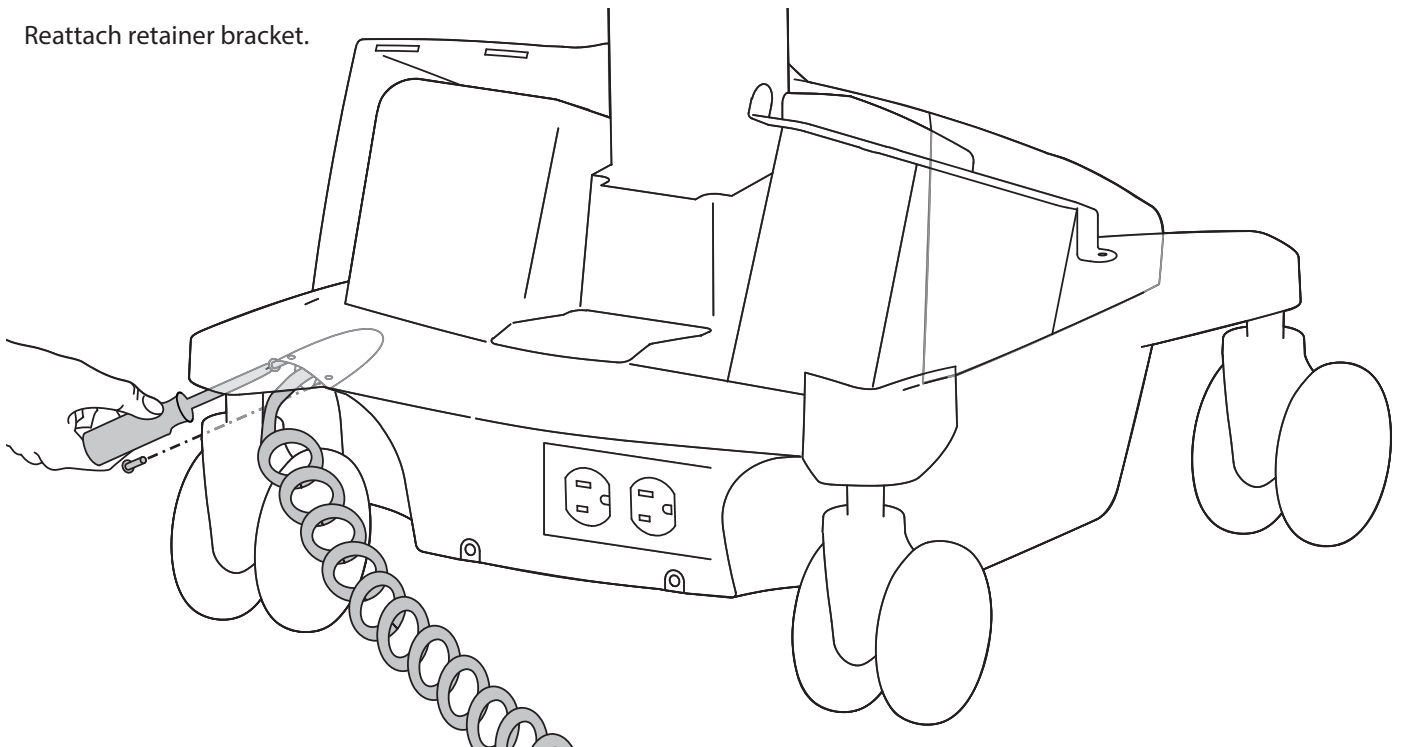




**6** Unplug coiled cord and plug in new cord.

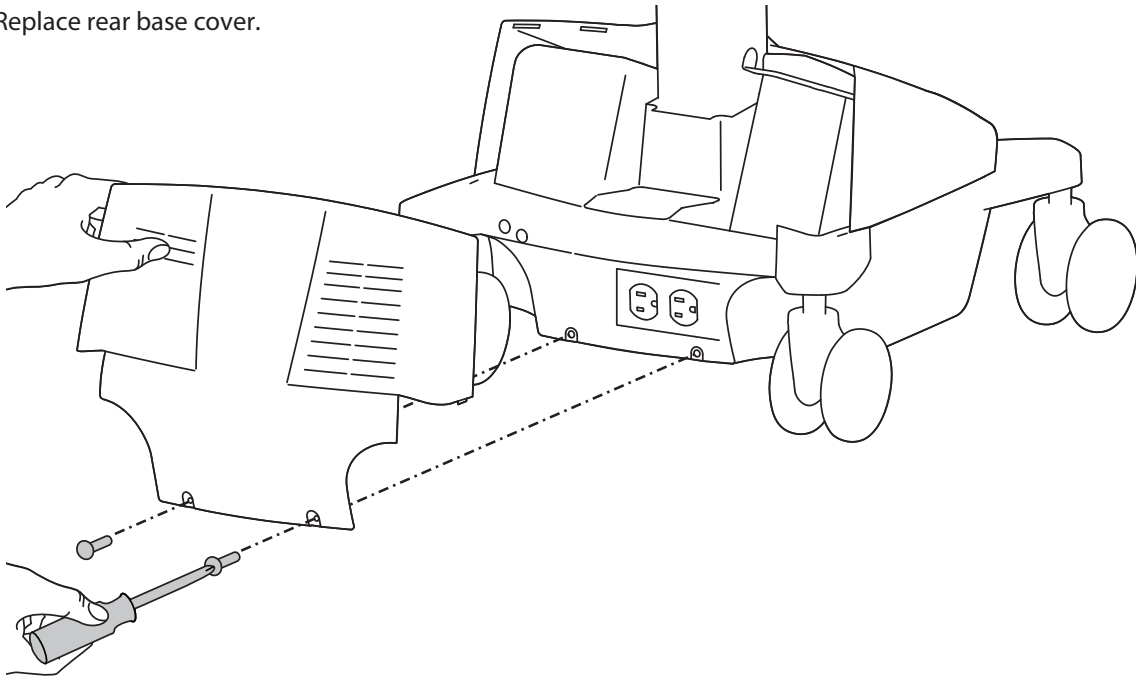


**7** Reattach retainer bracket.



8

Replace rear base cover.



**End of Instructions for LiFe Power Systems**

# Touchboards

**205 Westwood Ave, Long Branch, NJ 07740**

**Phone: 866-94 BOARDS (26273) / (732)-222-1511**

**Fax: (732)-222-7088 | E-mail: [sales@touchboards.com](mailto:sales@touchboards.com)**

For service and warranty visit [www.ergotron.com](http://www.ergotron.com)

For local customer care phone numbers visit: <http://contact.ergotron.com>

**Americas Sales and Corporate Headquarters**

1181 Trapp Rd.  
St. Paul, MN USA  
(800) 888-8458  
+1-651-681-7600  
[www.ergotron.com](http://www.ergotron.com)  
[sales@ergotron.com](mailto:sales@ergotron.com)

**EMEA Sales**

Amersfoort, The Netherlands  
+31 33 45 45 600  
[www.ergotron.com](http://www.ergotron.com)  
[info.eu@ergotron.com](mailto:info.eu@ergotron.com)

**APAC Sales**

Tokyo, Japan  
[www.ergotron.com](http://www.ergotron.com)  
[apaccustomerservice@ergotron.com](mailto:apaccustomerservice@ergotron.com)

**Worldwide OEM Sales**

[www.ergotron.com](http://www.ergotron.com)  
[info.oem@ergotron.com](mailto:info.oem@ergotron.com)



© 2014 Ergotron, Inc.  
All rights reserved.

While Ergotron, Inc. makes every effort to provide accurate and complete information on the installation and use of its products, it will not be held liable for any editorial errors or omissions (including those made in the process of translation from English to another language), or for incidental, special or consequential damages of any nature resulting from furnishing this instruction and performance of equipment in connection with this instruction. Ergotron, Inc. reserves the right to make changes in the product design and/or product documentation without notification to its users. For the most current product information, or to know if this document is available in languages other than those herein, please contact Ergotron. No part of this publication may be reproduced, stored in a retrieval system, or transmitted in any form or by any means, electronic, mechanical, photocopying, recording or otherwise without the prior written consent of Ergotron, Inc., 1181 Trapp Road, Eagan, Minnesota, 55121, USA. Patents Pending and Patented U.S. & Foreign. Ergotron is a registered trademark of Ergotron, Inc.