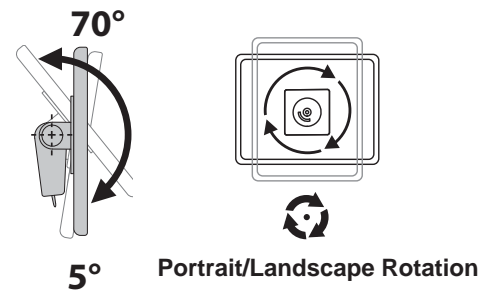
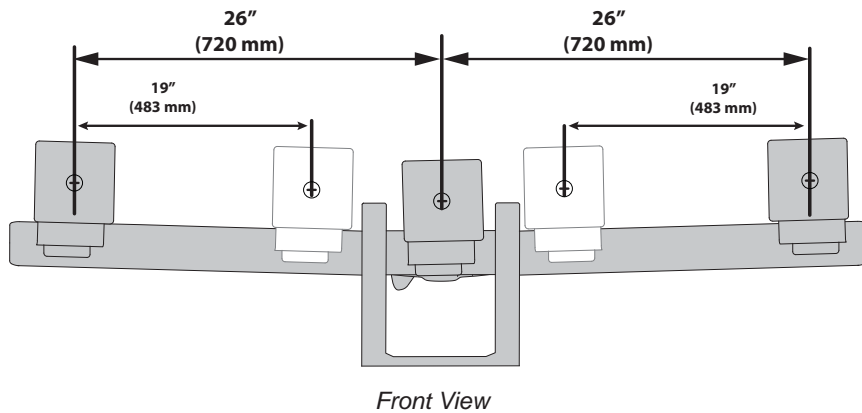
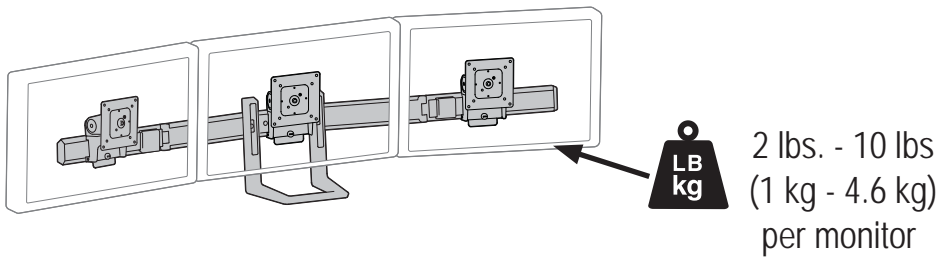
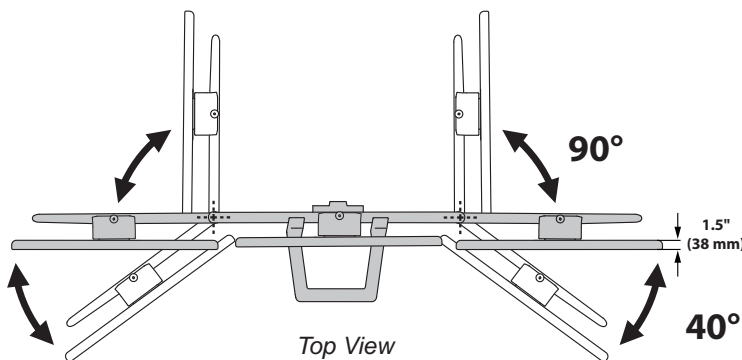
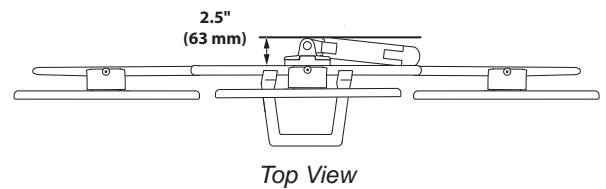
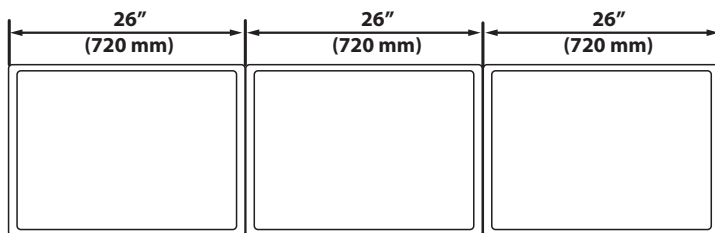



Ergotron® HX Triple Monitor Bow Kit



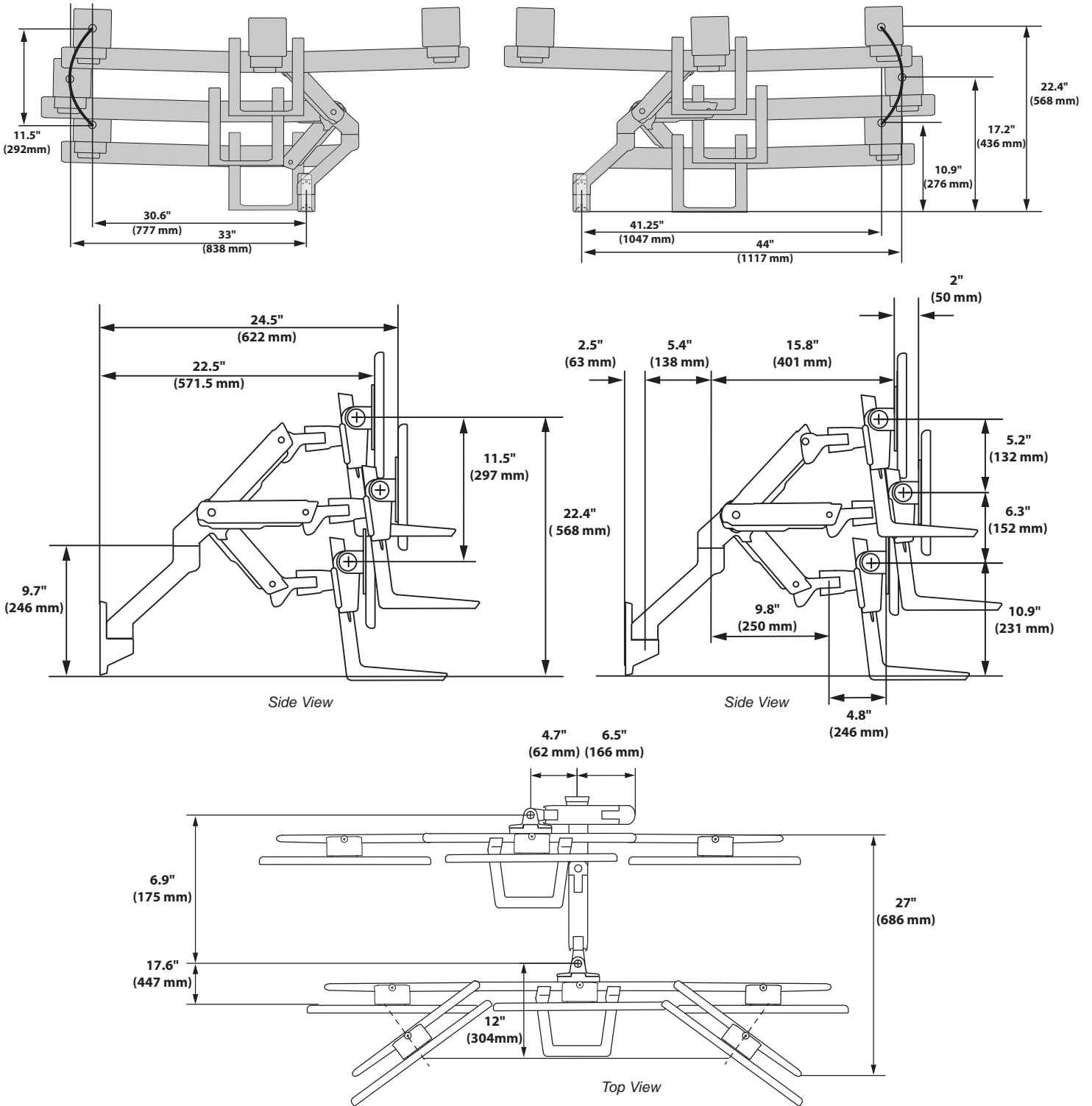
Max Monitor Size



 NOTE: The range of motion for the crossbar hinge may decrease for monitors thicker than 1.5" (38 mm).

Ergotron® HX Triple Monitor Bow Kit

Wallmount Dimensions



© 2016 Ergotron, Inc. rev. 11/28/2016 DIM-HXTripleKit **Content is subject to change without notification**

Americas Sales and Corporate Headquarters

St. Paul, MN USA
 (800) 888-8458
 +1-651-681-7600
 www.ergotron.com
 sales@ergotron.com

EMEA Sales

Amersfoort, The Netherlands
 +31 33 45 45 600
 www.ergotron.com
 info.eu@ergotron.com

APAC Sales

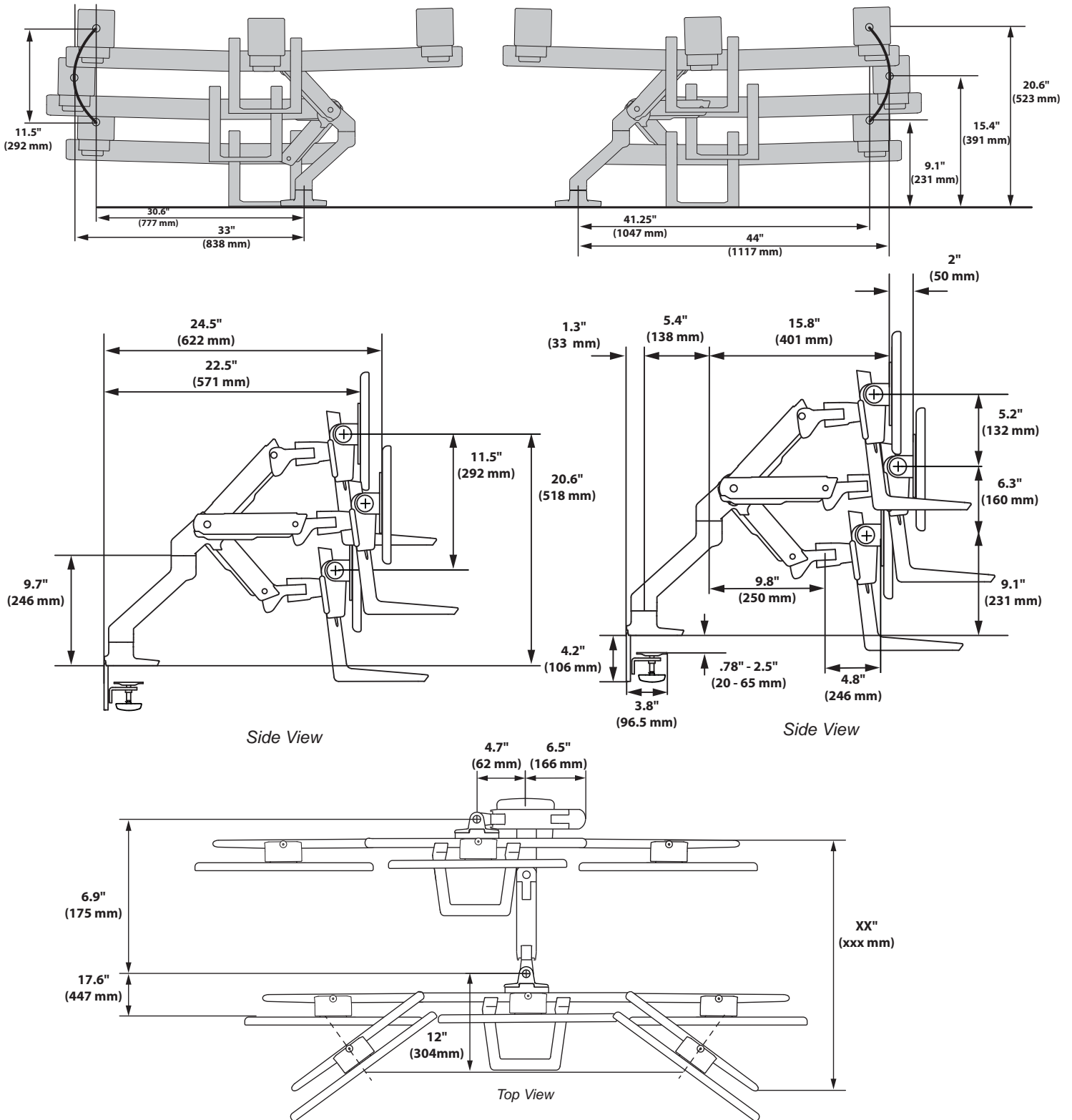
Tokyo, Japan
 www.ergotron.com
 apaccustomerservice@ergotron.com

Worldwide OEM Sales

www.ergotron.com
 info.oem@ergotron.com

Deskmount Dimensions

Ergotron® HX Triple Monitor Bow Kit



© 2016 Ergotron, Inc. rev. 11/28/2016 DIM-HXTripleKit Content is subject to change without notification

Americas Sales and Corporate Headquarters

St. Paul, MN USA
 (800) 888-8458
 +1-651-681-7600
 www.ergotron.com
 sales@ergotron.com

EMEA Sales

Amersfoort, The Netherlands
 +31 33 45 45 600
 www.ergotron.com
 info.eu@ergotron.com

APAC Sales

Tokyo, Japan
 www.ergotron.com
 apaccustomerservice@ergotron.com

Worldwide OEM Sales

www.ergotron.com
 info.oem@ergotron.com