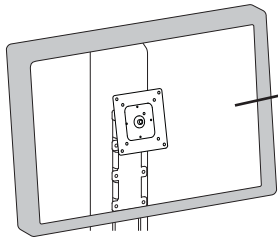


Styleview HD Monitor Accessory

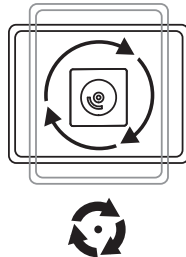
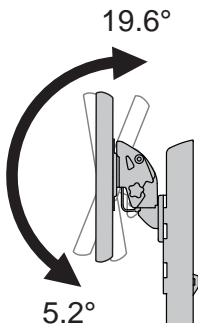
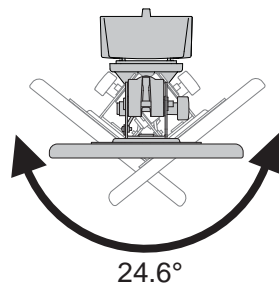
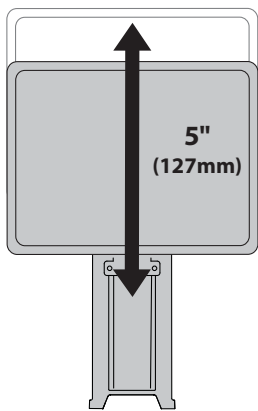


14lbs. - 24lbs.
(6.3 kg - 10.8 kg)

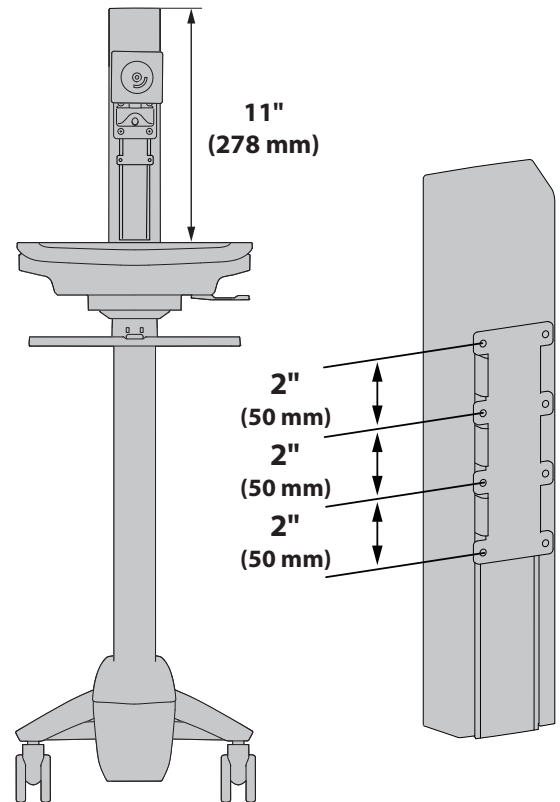
CAUTION: DO NOT EXCEED
MAXIMUM LISTED WEIGHT
CAPACITY. SERIOUS INJURY OR
PROPERTY DAMAGE MAY OCCUR!

Total weight of monitors when mounted needs to be 14 lbs - 24 lbs (6.2 kg - 10.8 kg)

Range of Motion:



Dimensions:



© 2016 Ergotron, Inc. rev. 11/22/2016 DIM-SVHD Content is subject to change without notification

Americas Sales and Corporate Headquarters

St. Paul, MN USA
(800) 888-8458
+1-651-681-7600
www.ergotron.com
sales@ergotron.com

EMEA Sales

Amersfoort, The Netherlands
+31 33 45 45 600
www.ergotron.com
info.eu@ergotron.com

APAC Sales

Tokyo, Japan
www.ergotron.com
apaccustomerservice@ergotron.com

Worldwide OEM Sales

www.ergotron.com
info.oem@ergotron.com