

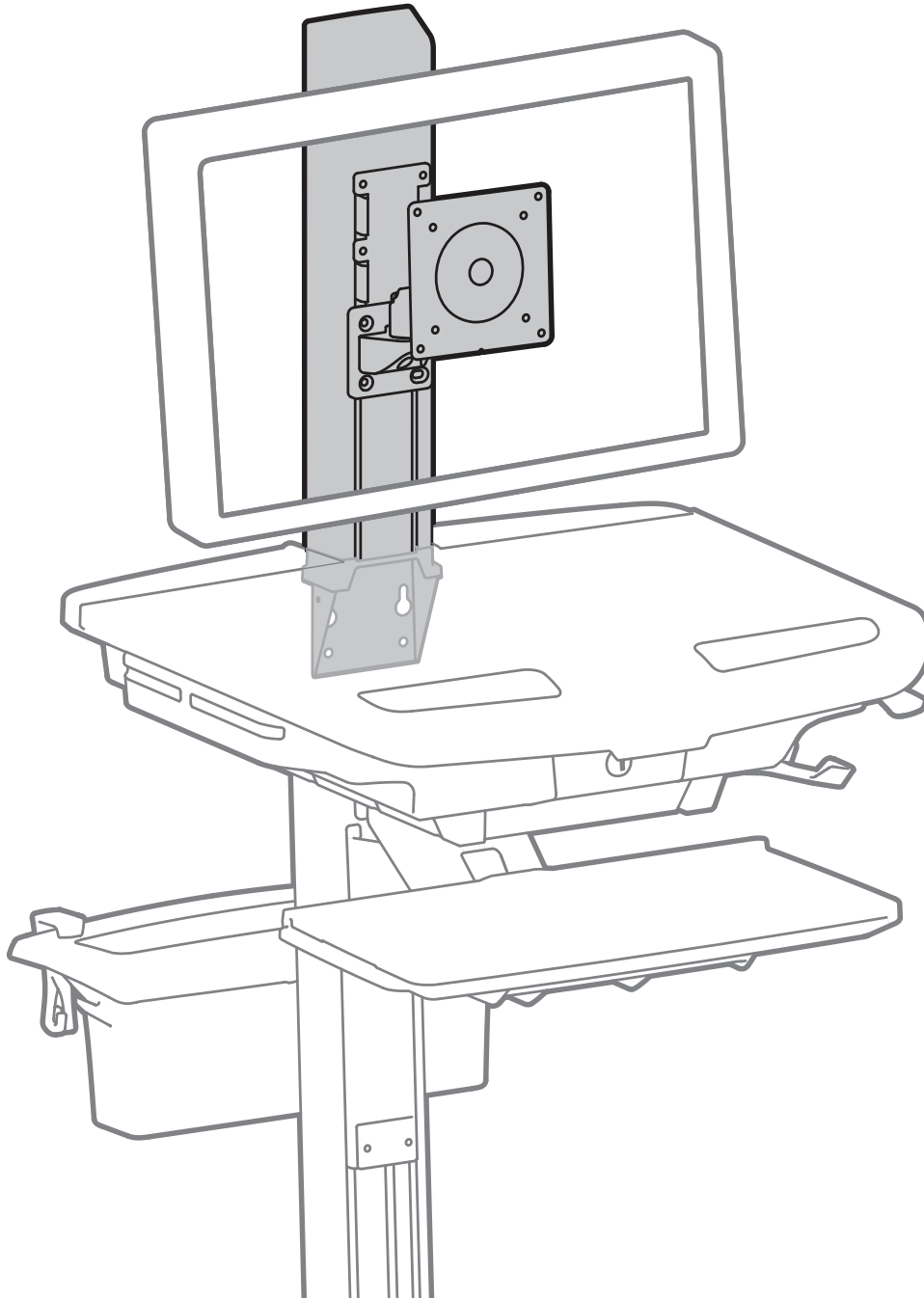
ERGOTRON®

User's Guide

Touchboards

Styleview HD Monitor Accessory

205 Westwood Ave, Long Branch, NJ 07740
Phone: 866-94 BOARDS (26273) / (732)-222-1511
Fax: (732)-222-7088 | E-mail: sales@touchboards.com



ENGLISH

For the latest User Installation Guide please visit: www.ergotron.com



User's Guide - English
Guía del usuario - Español
Manuel de l'utilisateur - Français
Gebruikersgids - Deutsch
Benutzerhandbuch - Nederlands
Guida per l'utente - Italiano
Användarhandbok - svenska
ユーザーガイド : 日本語
用户指南 : 汉语

 Includes
Constant Force™
Technology







www.ergotron.com

USA 1-800-888-8458
Europe +31 (0)33-45 45 600
China 400-120-3051

Hazard Symbols Review


These symbols alert users of a safety condition that demands attention. All users should be able to recognize and understand the significance of the following Safety Hazards if encountered on the product or within the documentation. Children who are not able to recognize and respond appropriately to Safety Alerts should not use this product without adult supervision!


Symbol	Signal Word	Level of Hazard
	NOTE	A NOTE indicates important information that helps you make better use of this product.
	CAUTION	A CAUTION indicates either potential damage to hardware or loss of data and tells you how to avoid the problem.
	WARNING	A WARNING indicates either potential for property damage, personal injury, or death.
	ELECTRICAL	An Electrical indicates an impending electrical hazard which, if not avoided, may result in personal injury, fire and/or death.

Safety

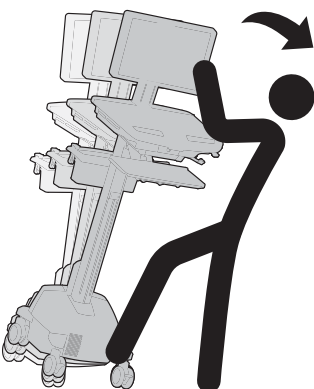



Important! You will need to adjust this product after installation is complete. Make sure all your equipment is properly installed on the product before attempting adjustments. This product should move smoothly and easily through the full range of motion and stay where you set it. If movements are too easy or difficult or if product does not stay in desired positions, follow the adjustment instructions to create smooth and easy movements. Depending on your product and the adjustment, it may take many turns to notice a difference. Any time equipment is added or removed from this product, resulting in a change in the weight of the mounted load, you should repeat these adjustment steps to ensure safe and optimum operation.

 **Caution:** If combined LCD and CPU weight is greater than 27lbs (10.4kg) then the CPU must be mounted to the rear of the cart using a CPU holder accessory (ordered separately).

 **Caution:** Use of this accessory allows the cart to be configured with a high center of gravity. Do not exceed the maximum capacity of 24lbs.

 **Warning:** To avoid the potential to pinch cables it is important to follow the cable routing instructions in this manual. Failure to follow these instructions may result in equipment damage or personal injury.



 **Warning:** When the height adjustment and assembly are at maximum height this creates a tipping hazard. Lower work surface before moving cart. Failure to follow these instructions may result in equipment damage or personal injury.

⚠ WARNING



Impact Hazard!

Moving Parts can Crush and Cut.
 Raise monitor to top of vertical adjustment BEFORE removing.
 Failure to heed this warning may result in serious personal injury or property damage!





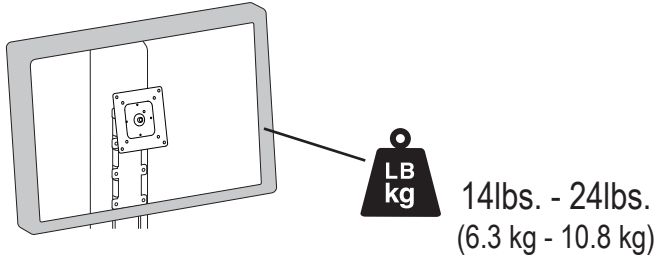
TIPPING HAZARD

Lower cart before moving.
 Failure to follow these instructions may cause cart to tip resulting in equipment damage and/or personal injury.


828-836-00

Features & Specifications

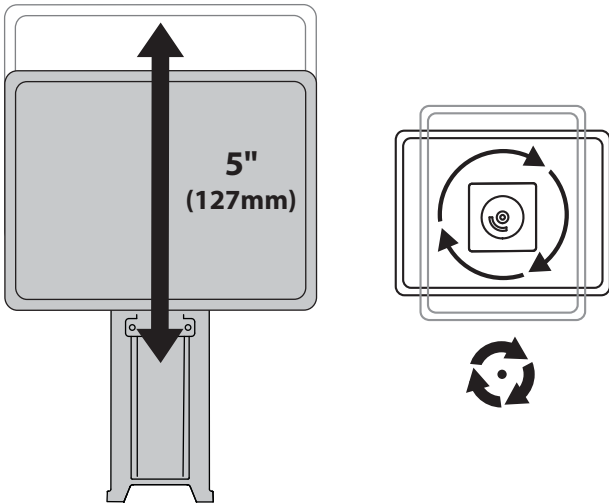
Monitor Weight:



Total weight of monitor when mounted needs to be 14 lbs - 24 lbs (6.3 kg - 10.8 kg)

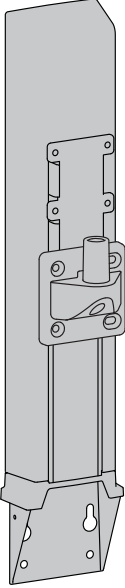

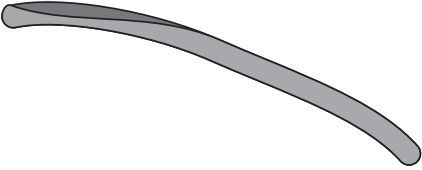
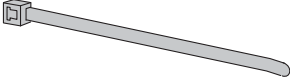
 CAUTION: DO NOT EXCEED MAXIMUM LISTED WEIGHT CAPACITY. SERIOUS INJURY OR PROPERTY DAMAGE MAY OCCUR!

Range of Motion:



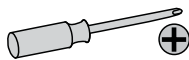
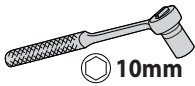
Components



	A	B
1	1x 	1x 
2	1x 	4x 

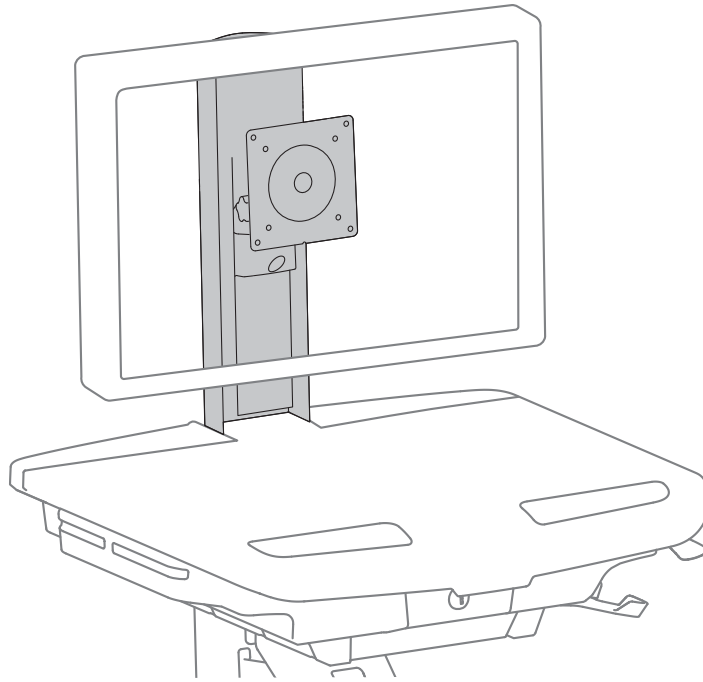
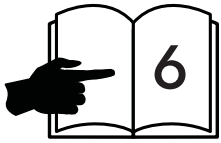
ENGLISH

Tools Needed

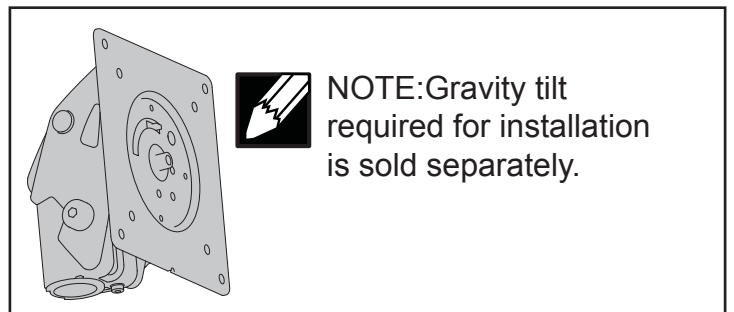
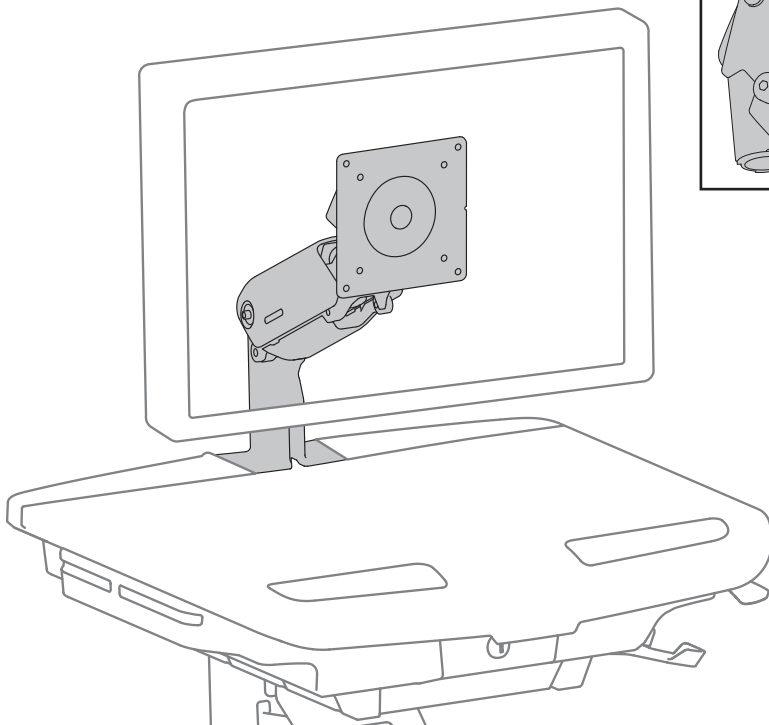
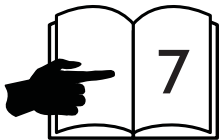


1

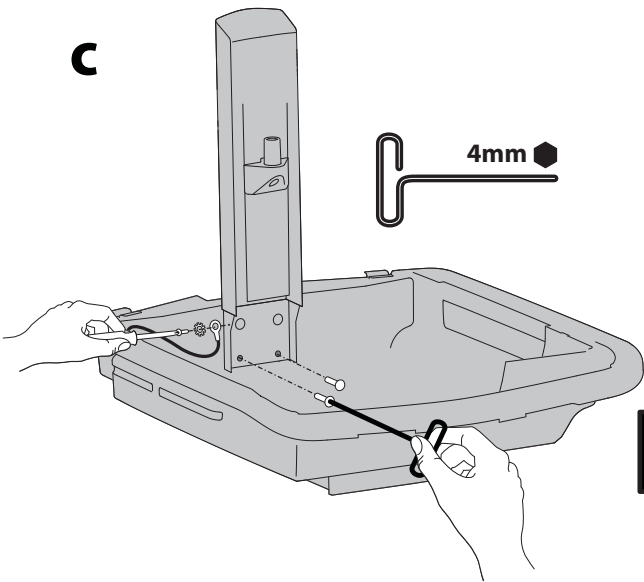
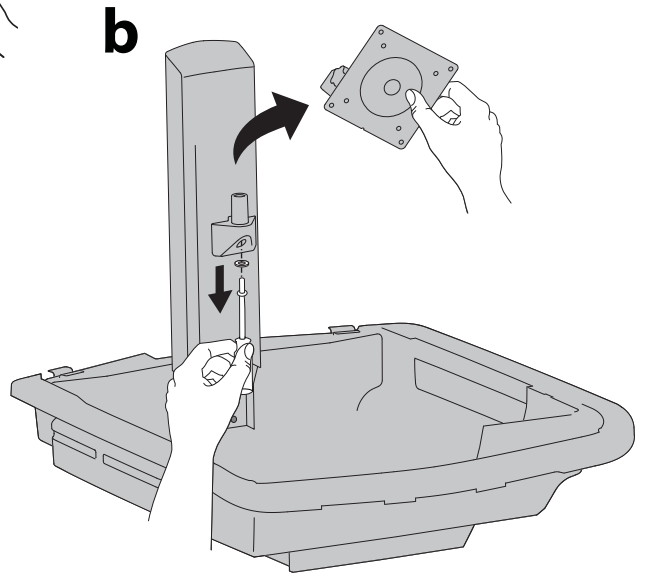
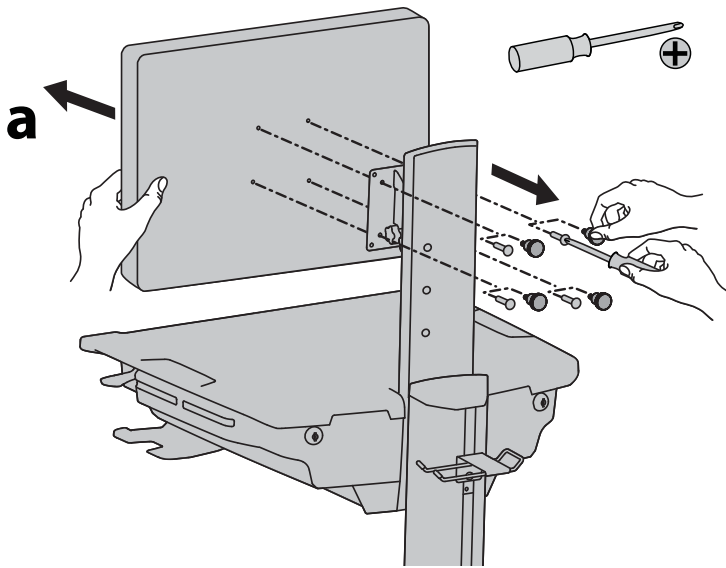
LCD Pivot





Arm

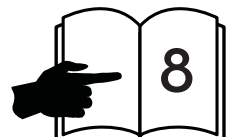
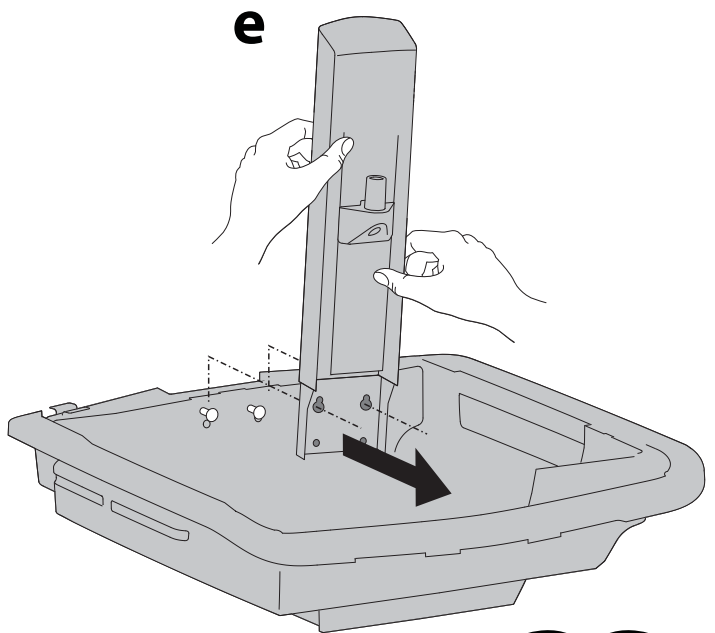
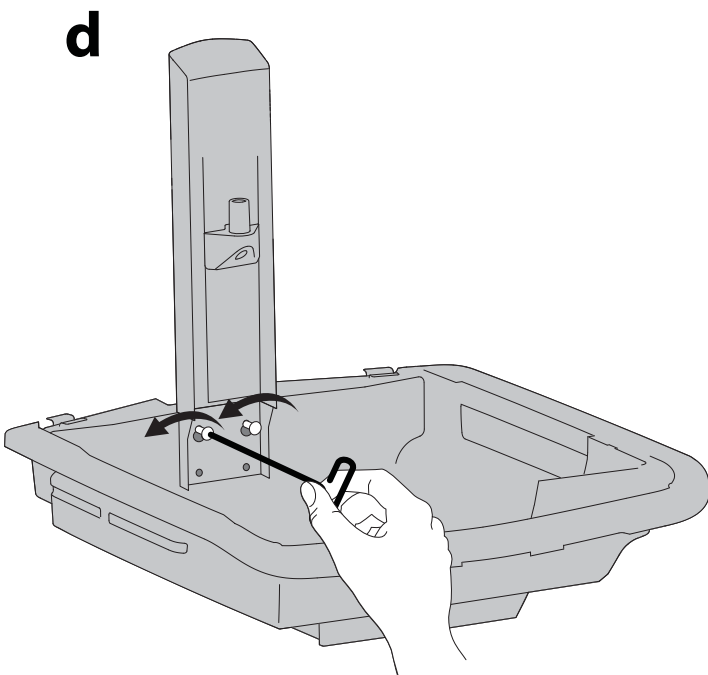


2 Remove LCD Pivot



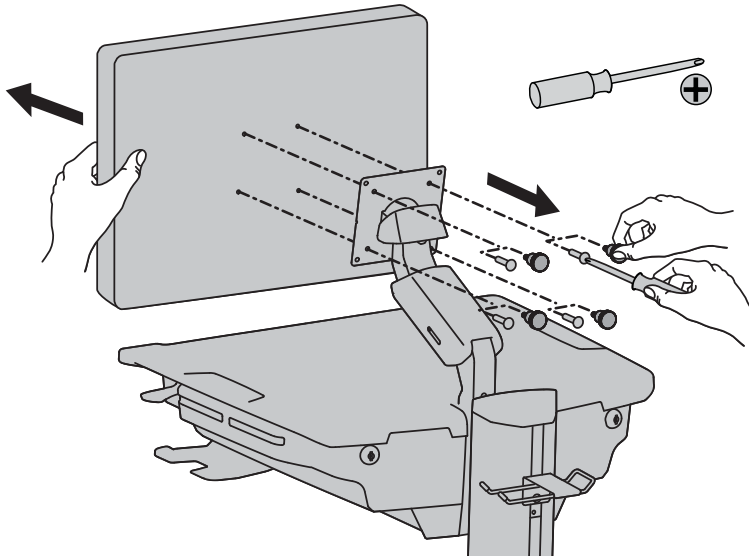
 NOTE: The gravity tilt is needed to complete the installation. Do not discard.

 NOTE: Remove ground wire and star washer if present. Save mounting screws, ground screw, ground wire and star washer for reinstallation.

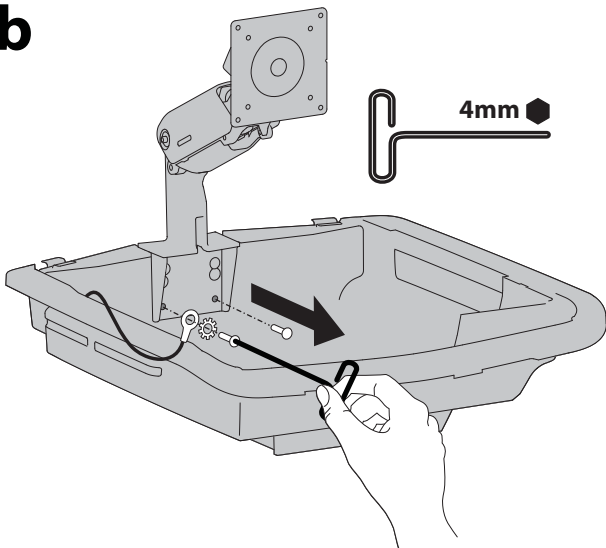


2 Remove Arm

a

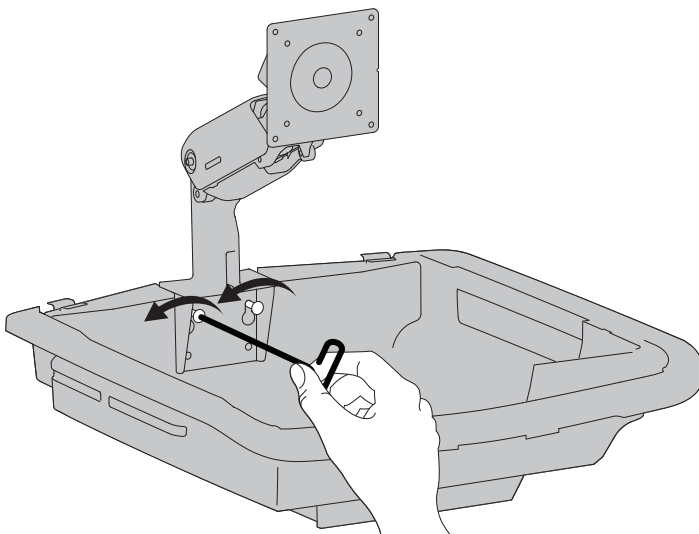


b

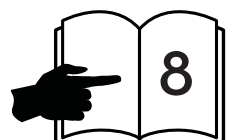
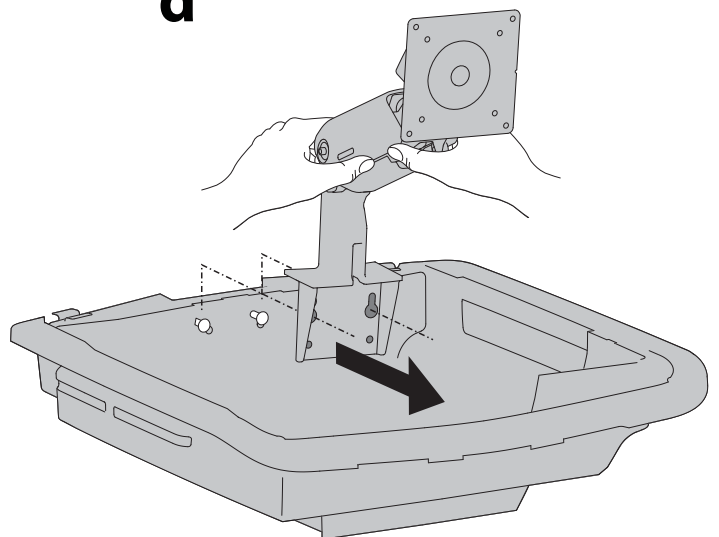


NOTE: Remove ground wire and star washer if present. Save mounting screws, ground screw, ground wire and star washer for reinstallation.

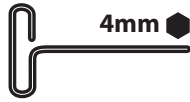
c



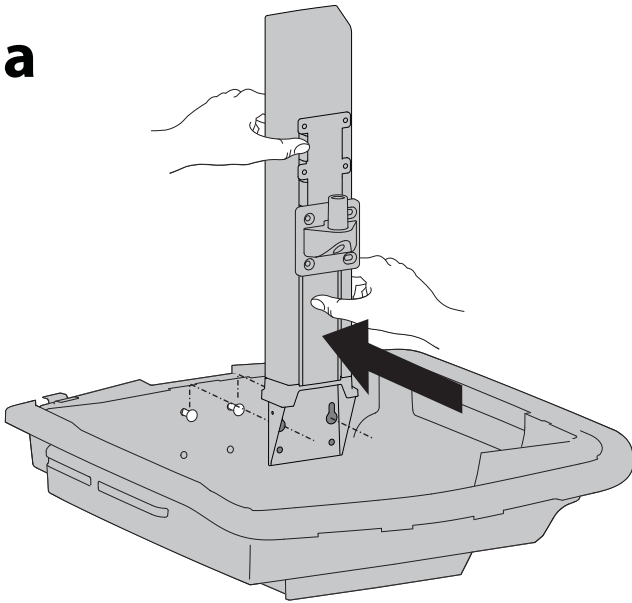
d



3 Attach Lift



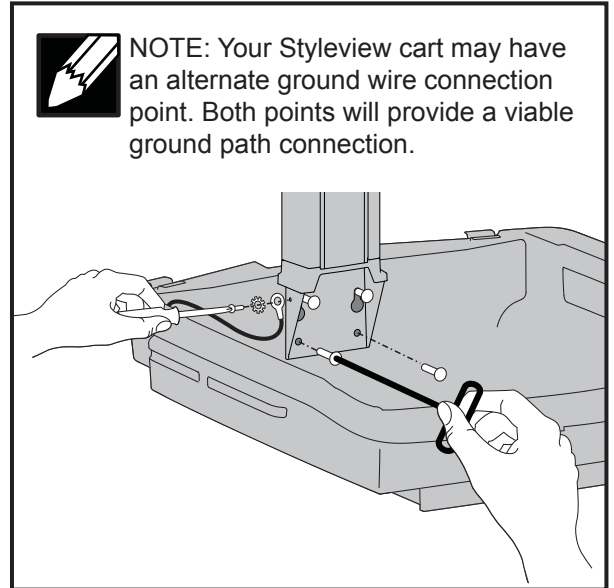
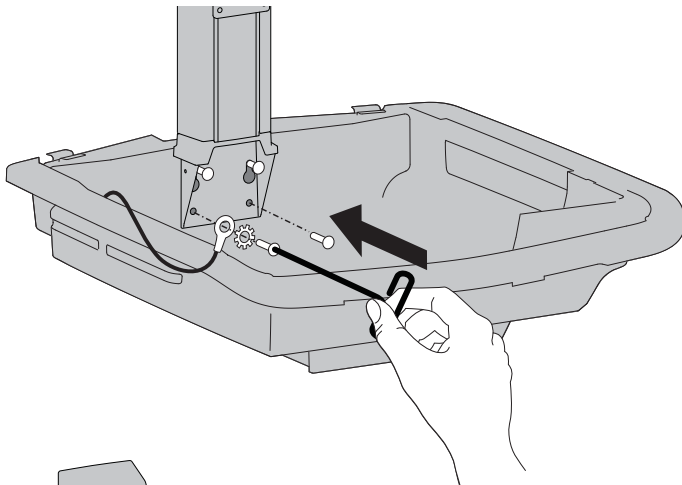
a



b

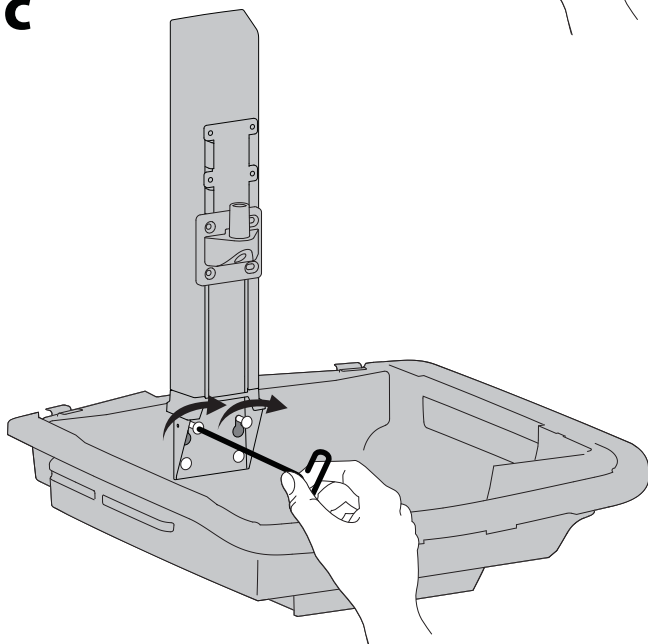


NOTE: If you removed a ground wire and star washer, reattach as shown.

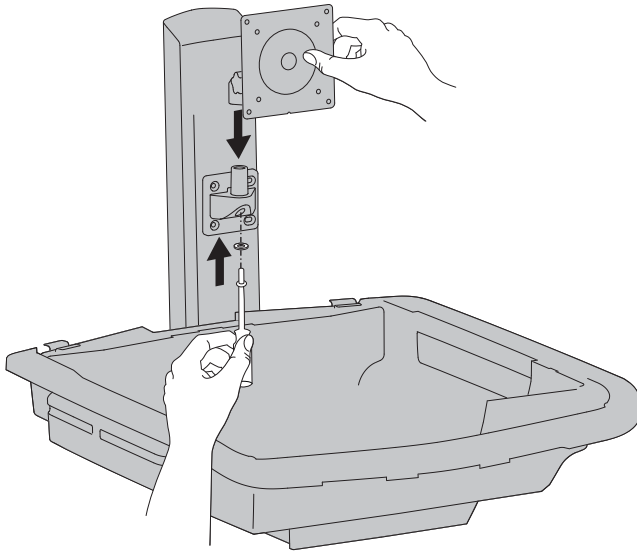
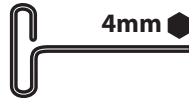


NOTE: Your Styleview cart may have an alternate ground wire connection point. Both points will provide a viable ground path connection.

c

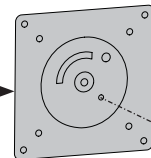
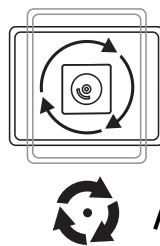


4 Re-install gravity tilt into lift

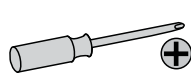


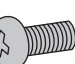
5

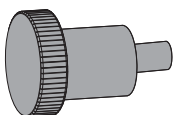
OPTIONAL: Insert stop screw to lock portrait/landscape monitor rotation.

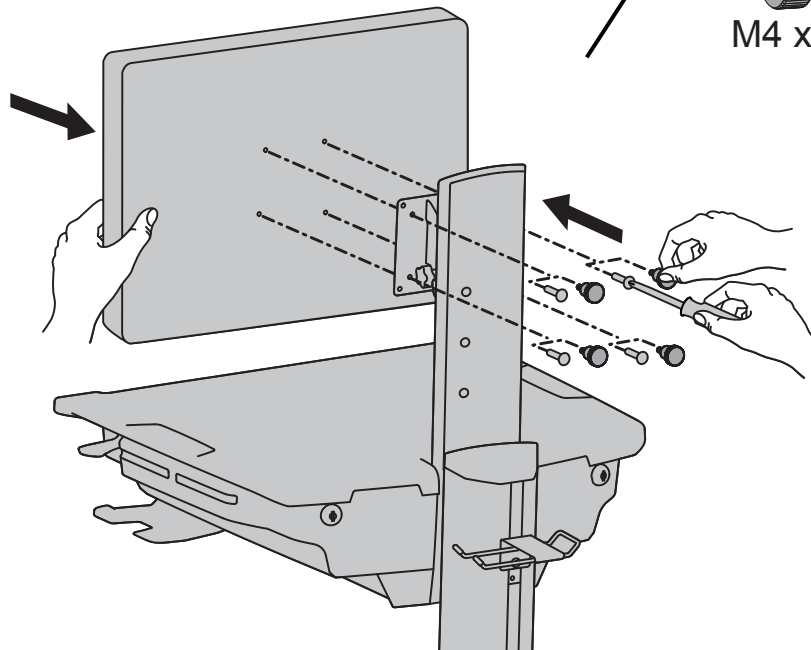


1x 
M4 x 8mm

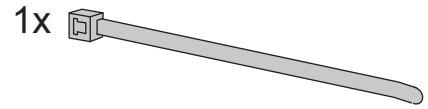


4x 
M4 x 10mm

4x 
M4 x 10mm



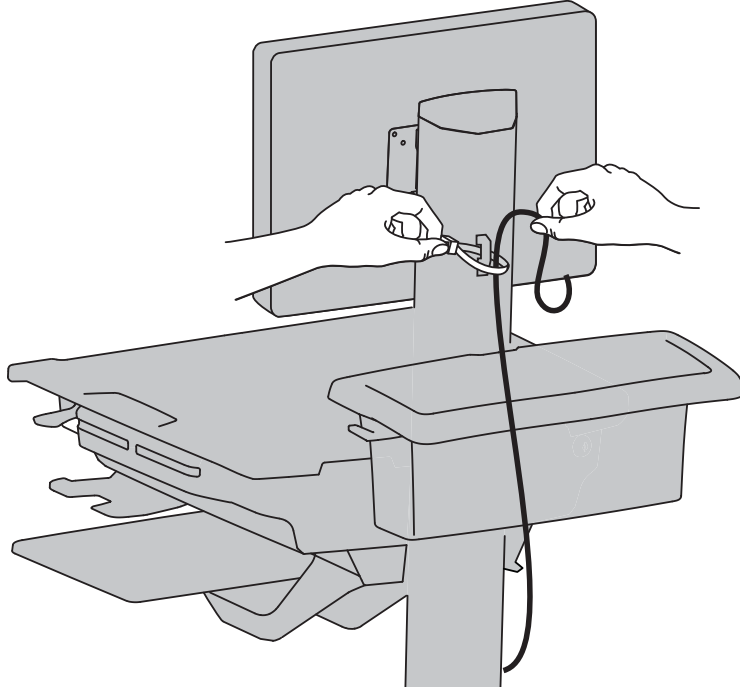
6 Secure Monitor Cables with Cable Ties



NOTE: Leave enough slack in cable to allow full range of motion.



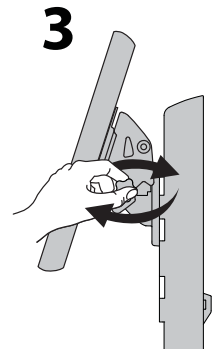
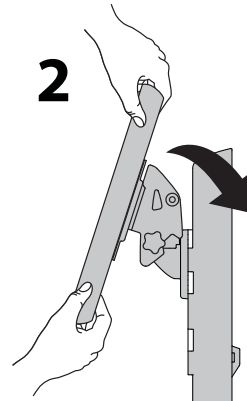
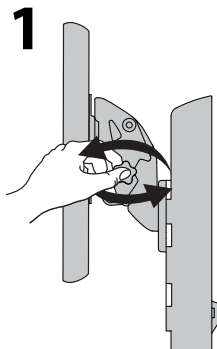
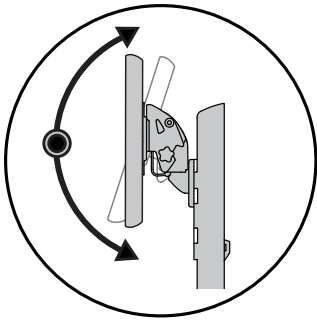
Caution: To avoid the potential to pinch cables it is important to follow the cable routing instructions in this manual. Failure to follow these instructions may result in equipment damage or personal injury.



6 Adjustment Step

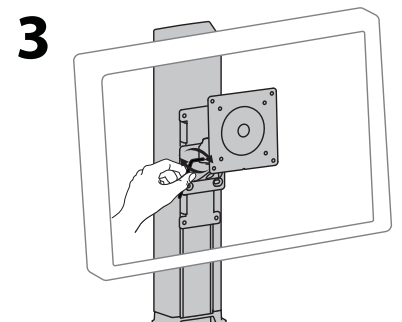
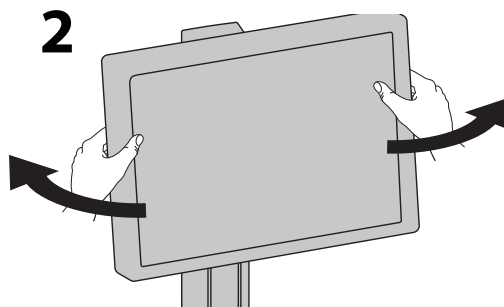
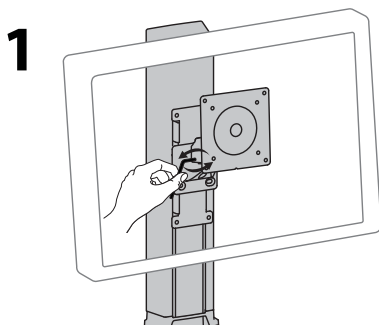
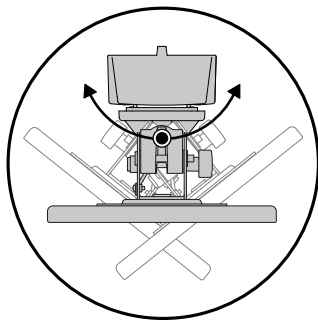
Important! You will need to adjust this product after installation is complete. Make sure all your equipment is properly installed on the product before attempting adjustments. This product should move smoothly and easily through the full range of motion and stay where you set it. If movements are too easy or difficult or if product does not stay in desired positions, follow the adjustment instructions to create smooth and easy movements. Depending on your product and the adjustment, it may take many turns to notice a difference. Any time equipment is added or removed from this product, resulting in a change in the weight of the mounted load, you should repeat these adjustment steps to ensure safe and optimum operation.

a Monitor Pivot - Up and Down

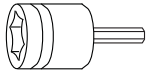
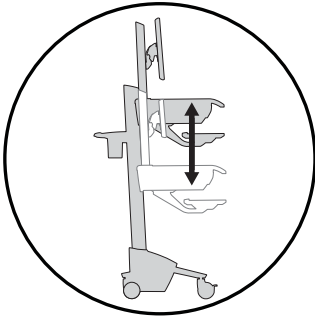


ENGLISH

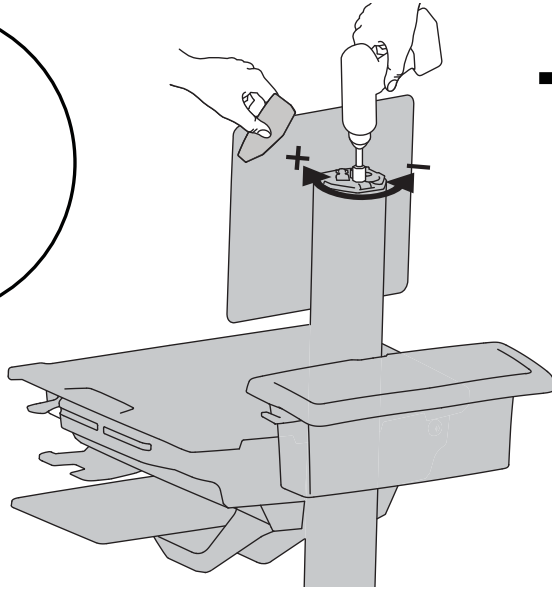
b Monitor Pan - Left and Right



a Cart Lift - Up and Down.



14mm (9/16")



Increase Lift Strength

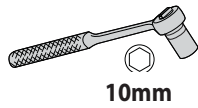
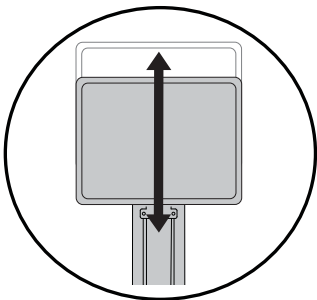
If the mounted weight is too heavy or this product does not stay up when raised, then you'll need to increase Lift Strength:



Decrease Lift Strength

If the mounted weight is too light or this product does not stay down when lowered, then you'll need to decrease Lift Strength:

d Monitor Lift - Up and Down



10mm



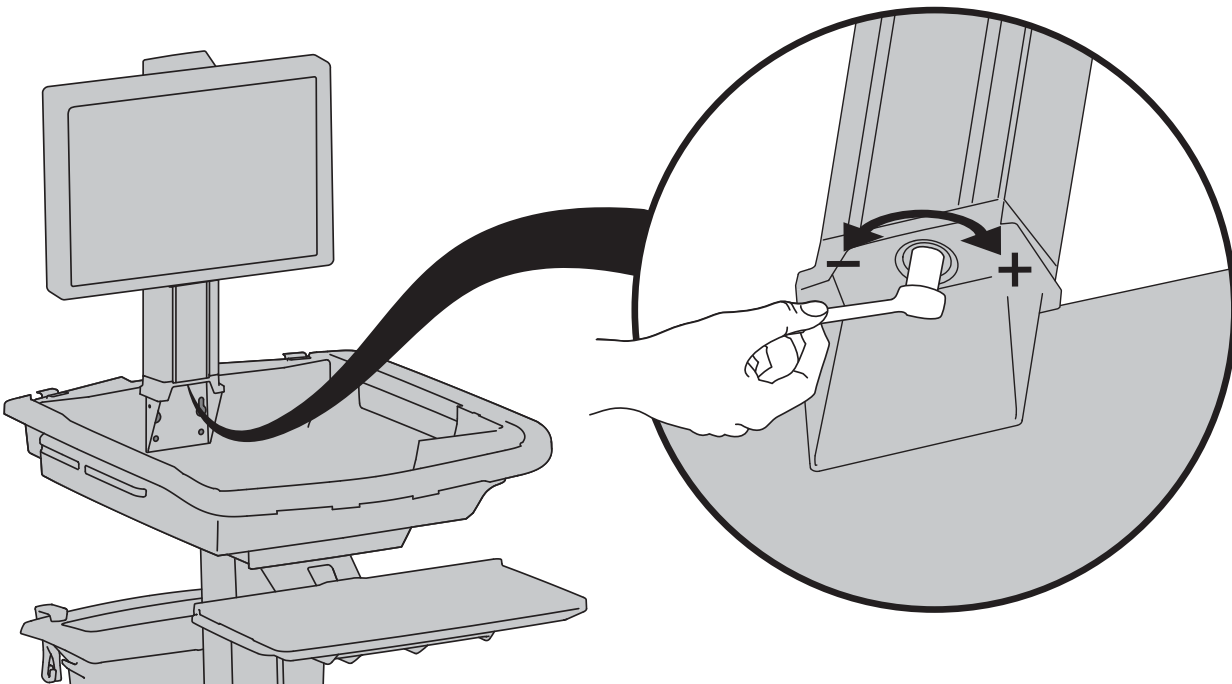
Increase Lift Strength

If the mounted weight is too heavy or this product does not stay up when raised, then you'll need to increase Lift Strength:

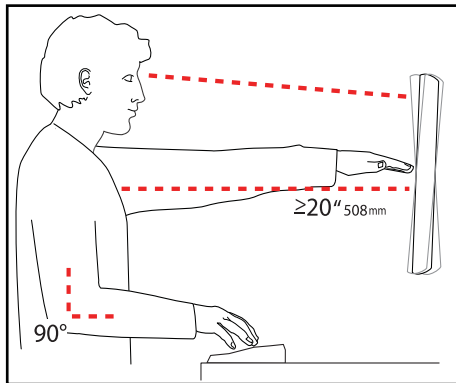


Decrease Lift Strength

If the mounted weight is too light or this product does not stay down when lowered, then you'll need to decrease Lift Strength:



Set Your Workstation to Work For YOU!



Learn more about ergonomic computer use at:
www.computingcomfort.org

- Height Position top of screen slightly below eye level.
Position keyboard at about elbow height with wrists flat.
- Distance Position screen an arm's length from face—at least 20" (508mm).
Position keyboard close enough to create a 90° angle in elbow.
- Angle Tilt the keyboard back 10° so that your wrists remain flat.

To Reduce Fatigue
Breathe - Breathe deeply through your nose.
Blink - Blink often to avoid dry eyes.
Break • 2 to 3 minutes every 20 minutes
• 15 to 20 minutes every 2 hours.

For Warranty visit: www.ergotron.com/warranty

For Service visit: www.ergotron.com

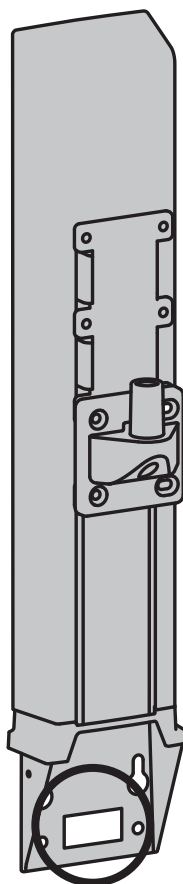
For local customer care phone numbers visit: <http://contact.ergotron.com>



NOTE: When contacting customer service, reference the serial number.

Touchboards

205 Westwood Ave, Long Branch, NJ 07740
Phone: 866-94 BOARDS (26273) / (732)-222-1511
Fax: (732)-222-7088 | E-mail: sales@touchboards.com



ENGLISH

Americas Sales and Corporate Headquarters

1181 Trapp Rd.
St. Paul, MN USA
(800) 888-8458
+1-651-681-7600
www.ergotron.com
sales@ergotron.com

EMEA Sales

Amersfoort, The Netherlands
+31 33 45 45 600
www.ergotron.com
info.eu@ergotron.com

APAC Sales

Tokyo, Japan
www.ergotron.com
apacustomerservice@ergotron.com

Worldwide OEM Sales

www.ergotron.com
info.oem@ergotron.com

ERGOTRON®

While Ergotron, Inc. makes every effort to provide accurate and complete information on the installation and use of its products, it will not be held liable for any editorial errors or omissions (including those made in the process of translation from English to another language), or for incidental, special or consequential damages of any nature resulting from furnishing this instruction and performance of equipment in connection with this instruction. Ergotron, Inc. reserves the right to make changes in the product design and/or product documentation without notification to its users. For the most current product information, or to know if this document is available in languages other than those herein, please contact Ergotron. No part of this publication may be reproduced, stored in a retrieval system, or transmitted in any form or by any means, electronic, mechanical, photocopying, recording or otherwise without the prior written consent of Ergotron, Inc., 1181 Trapp Road, Eagan, Minnesota, 55121, USA. Patents Pending and Patented U.S. & Foreign. Ergotron is a registered trademark of Ergotron, Inc.

© 2016 Ergotron, Inc. All rights reserved.